



(12) **United States Design Patent**
Oh

(10) **Patent No.:** **US D745,590 S**
(45) **Date of Patent:** **** Dec. 15, 2015**

(54) **LENS FOR CAMERA**

(71) Applicant: **Samsung Electronics Co., Ltd.**,
Suwon-si, Gyeonggi-do (KR)
(72) Inventor: **San-Hui Oh**, Seoul (KR)
(73) Assignee: **SAMSUNG ELECTRONICS CO., LTD.** (KR)
(**) Term: **14 Years**
(21) Appl. No.: **29/494,763**
(22) Filed: **Jun. 24, 2014**

(30) **Foreign Application Priority Data**

Dec. 31, 2013 (KR) 30-2013-0066650

(51) **LOC (10) Cl.** **16-05**

(52) **U.S. Cl.**
USPC **D16/219; D16/134**

(58) **Field of Classification Search**

USPC D16/134, 136, 200, 202-205, 218, 219,
D16/235, 242; 348/373-376; 359/826-828;
396/529-532, 535, 539-541
CPC G03B 17/02; G03B 19/04; G03B 17/56;
G03B 17/04; G03B 15/03; G03B 17/14;
H04N 5/2251; H04N 5/2252; H04N 5/2253;
H04N 5/2254; G02B 7/02; G02B 7/04;
G02B 7/14

See application file for complete search history.

(56) **References Cited**

U.S. PATENT DOCUMENTS

D375,969	S	*	11/1996	Watanabe	D16/134
D433,044	S	*	10/2000	Nagaoka et al.	D16/134
D446,232	S	*	8/2001	Watanabe	D16/134
D562,863	S	*	2/2008	Yasutomi	
D562,864	S	*	2/2008	Yasutomi	D16/134
D562,865	S	*	2/2008	Yasutomi	D16/134
D566,158	S	*	4/2008	Yasutomi	D16/219
D573,625	S	*	7/2008	Watanabe	D16/219
D583,847	S	*	12/2008	Watanabe	D16/219
D684,208	S	*	6/2013	Lee	D16/219
8,678,678	B2	*	3/2014	Imura	396/419
D718,361	S	*	11/2014	Noh	D16/219
D724,644	S	*	3/2015	Tainaka	D16/219
D726,239	S	*	4/2015	So et al.	D16/219

* cited by examiner

Primary Examiner — Adir Aronovich
Assistant Examiner — Ramzi Almatrahi
(74) *Attorney, Agent, or Firm* — Cantor Colburn LLP

(57) **CLAIM**

The ornamental design for a lens for camera, as shown and described.

DESCRIPTION

FIG. 1 is a perspective view of a lens for camera, showing my new design;
FIG. 2 is a front elevation view thereof;
FIG. 3 is a rear elevation view thereof;
FIG. 4 is a left side elevation view thereof;
FIG. 5 is a right side elevation view thereof;
FIG. 6 is a top plan view thereof; and,
FIG. 7 is a bottom plan view thereof.
The broken lines depict portions of a lens for camera in which the design is embodied and form no part of the claimed design.

1 Claim, 5 Drawing Sheets

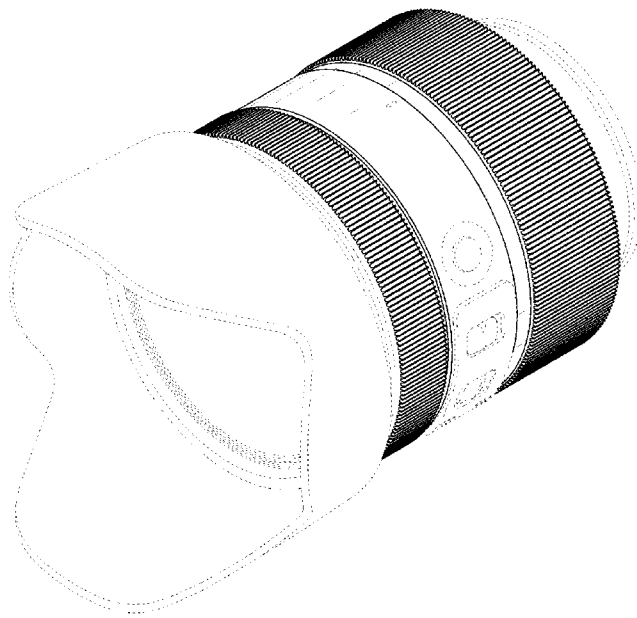


FIG. 1

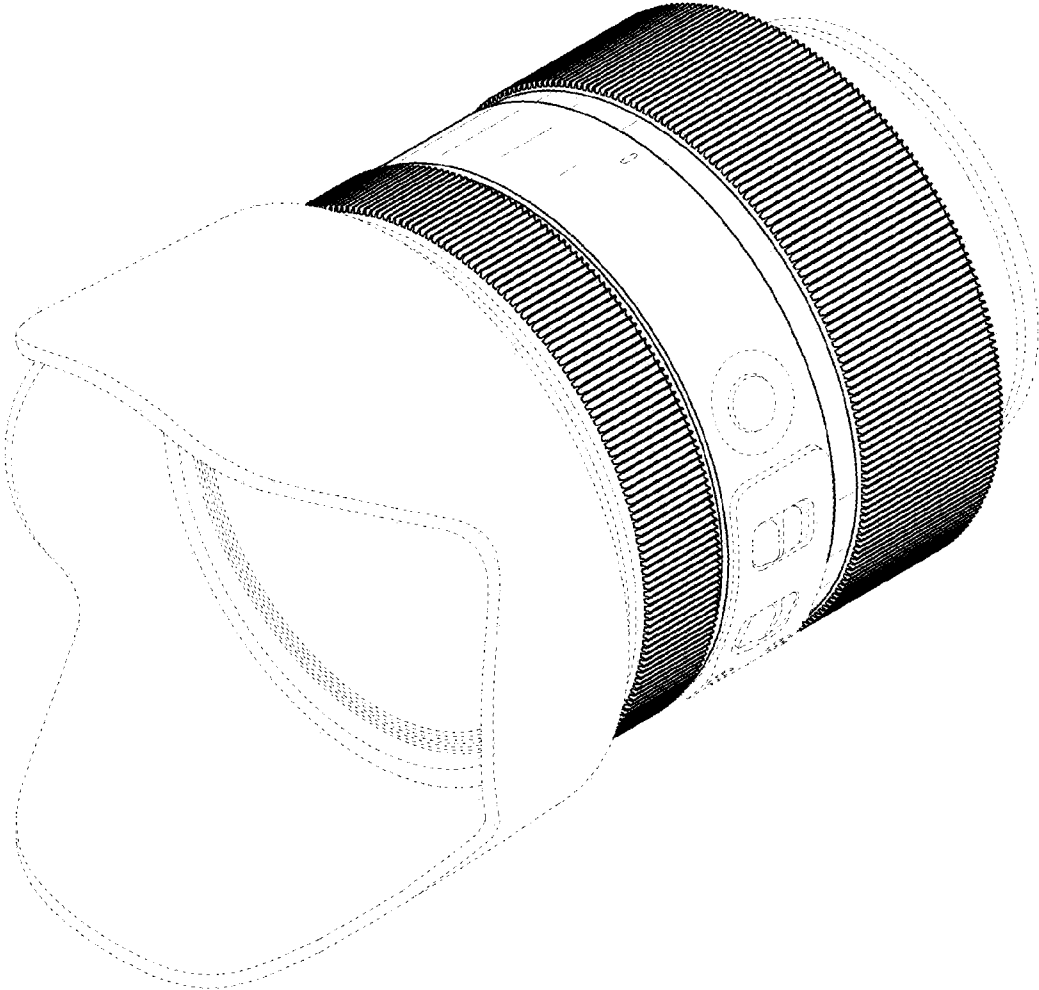


FIG. 2

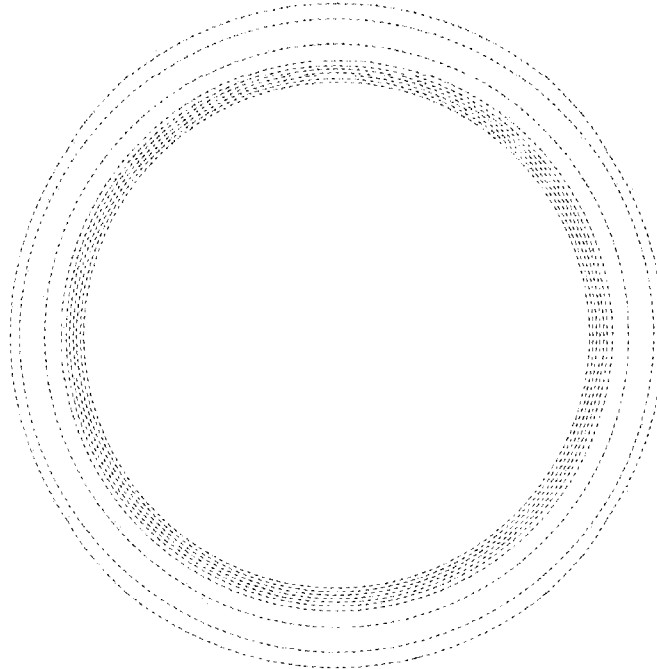


FIG. 3

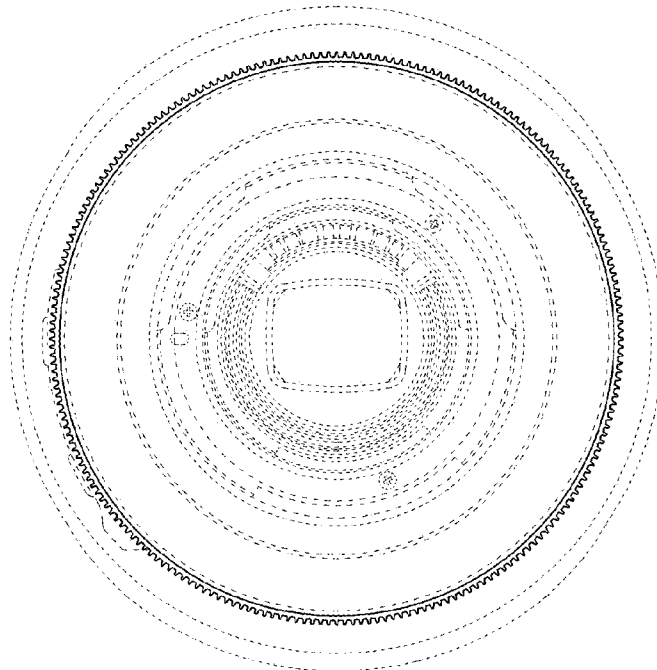


FIG. 4

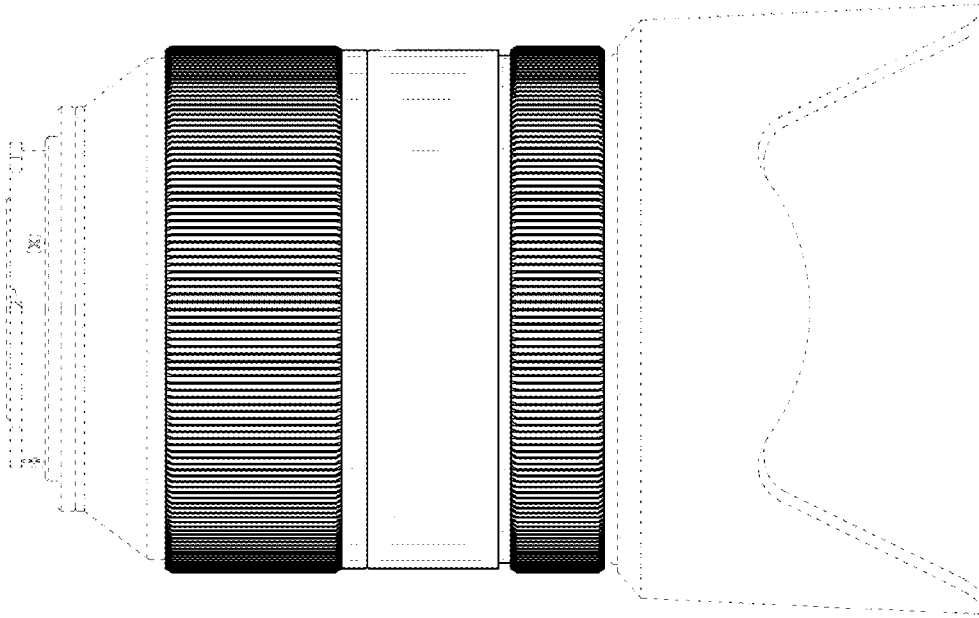


FIG. 5

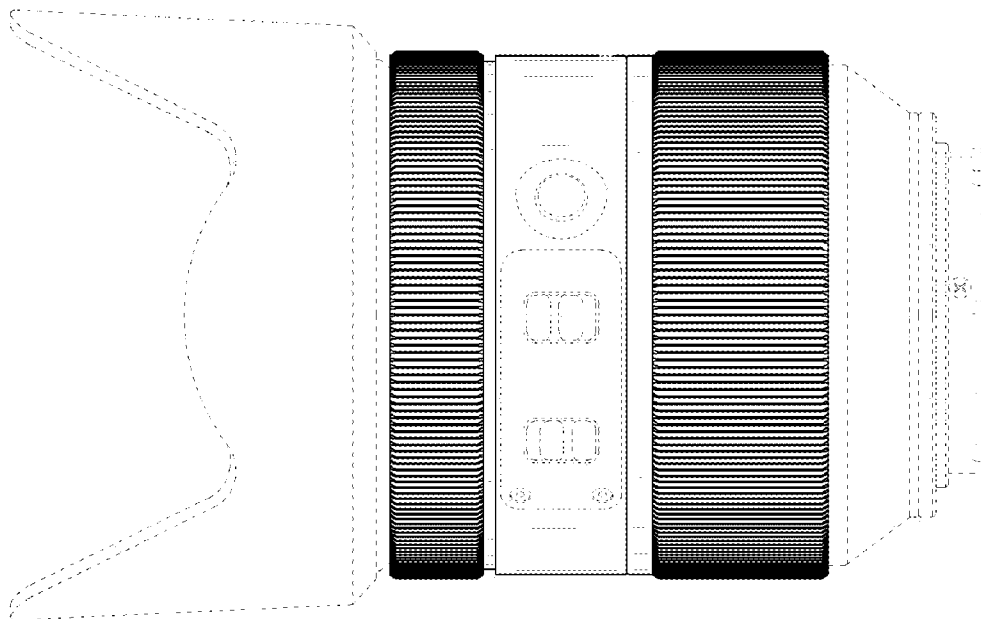


FIG. 6

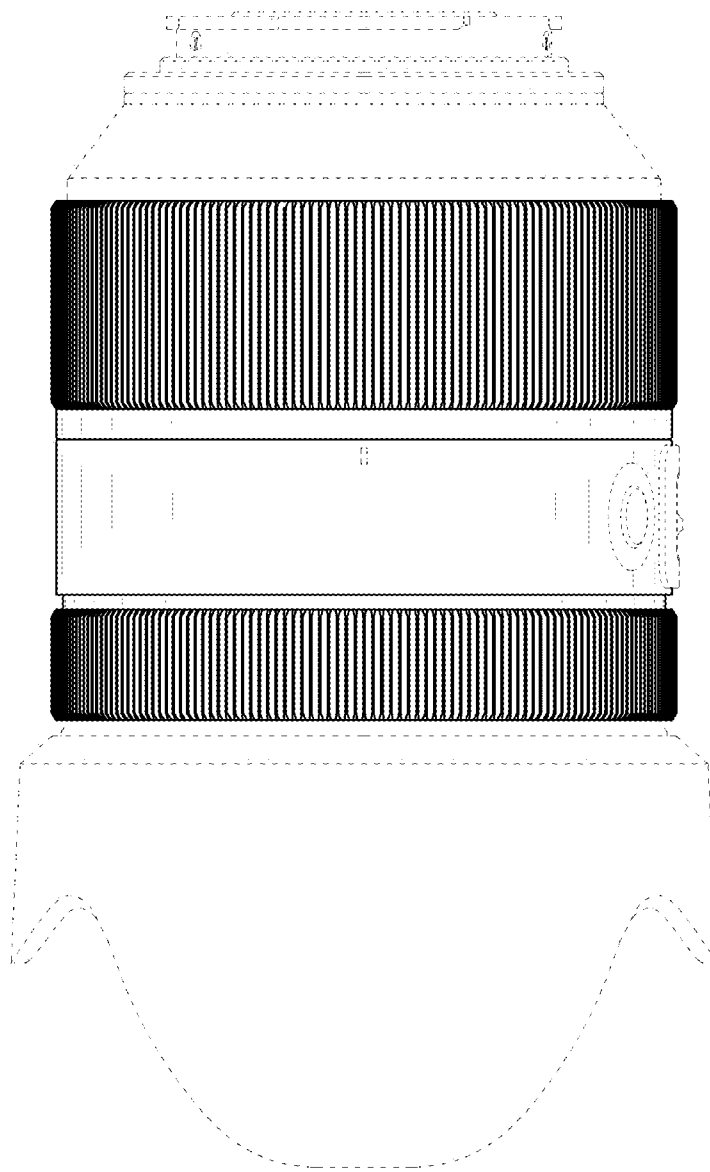


FIG. 7

