



US00D940271S

(12) **United States Design Patent**
Shen

(10) **Patent No.:** **US D940,271 S**

(45) **Date of Patent:** **** Jan. 4, 2022**

(54) **SPRINKLER**

(71) Applicant: **Shenzhen View Lighting Technology Co., Ltd.**, Shenzhen (CN)

(72) Inventor: **Rusheng Shen**, Shenzhen (CN)

(73) Assignee: **Shenzhen View Lighting Technology Co., Ltd.**, Shenzhen (CN)

(**) Term: **15 Years**

(21) Appl. No.: **29/763,604**

(22) Filed: **Dec. 23, 2020**

(51) **LOC (13) Cl.** **23-01**

(52) **U.S. Cl.**
USPC **D23/214**

(58) **Field of Classification Search**
USPC D23/213, 214, 215, 222, 223, 224, 226,
D23/229, 230

CPC A61H 9/0021; A61H 33/00; B05B 1/00;
B05B 1/14; B05B 1/185; B05B 1/08;
B05B 1/02; B05B 1/26; B05B 12/002;
B05B 1/18; B05B 9/01

See application file for complete search history.

(56) **References Cited**

U.S. PATENT DOCUMENTS

D307,044	S	*	4/1990	Johnston	D23/220
D313,269	S	*	12/1990	Clivio	D23/220
D346,009	S	*	4/1994	Simonetti	D23/220
5,307,993	A	*	5/1994	Simonetti	B05B 3/06 239/247
D399,915	S	*	10/1998	McEachen	D23/214
D457,597	S	*	5/2002	Chen	D23/220
D754,284	S	*	4/2016	Stowers	D23/216
D868,207	S	*	11/2019	Hsieh	D23/214
D927,641	S	*	8/2021	Li	D23/214

OTHER PUBLICATIONS

Gesentur Garden Sprinkler, Automatic Lawn Water Sprinkler 360 Degree 3 Arm Rotating Sprinkler System, Apr. 7, 2018, Amazon.

co.uk., Sep. 11, 2021, URL: <https://www.amazon.co.uk/Sprinkler-Automatic-Rotating-Irrigation-Sprayer/dp/B07BZJVHJQJ> (Year: 2018);
/Hozelock Ltd 2520 0000 2520P0000 Round Sprinkler, Jun. 19, 2017, amazon.com, Nov. 1, 2021, URL: <https://www.amazon.com/Hozelock-Round-Sprinkler-Plus-254m%C2%B2/dp/B0017RKEHY> (Year: 2017);
MAXFLO Sprinklers for Yard | Heavy Duty Water Sprinklers for Lawn, May 13, 2021, amazon.com, Nov. 1, 2021, URL: <https://www.amazon.com/MAXFLO-Sprinklers-Oscillating-Sprinkler-Connection/dp/B08FTJ356R> (Year: 2021);*

* cited by examiner

Primary Examiner — Jack Reickel

Assistant Examiner — Keith J Wilson

(74) *Attorney, Agent, or Firm* — Westbridge IP LLC

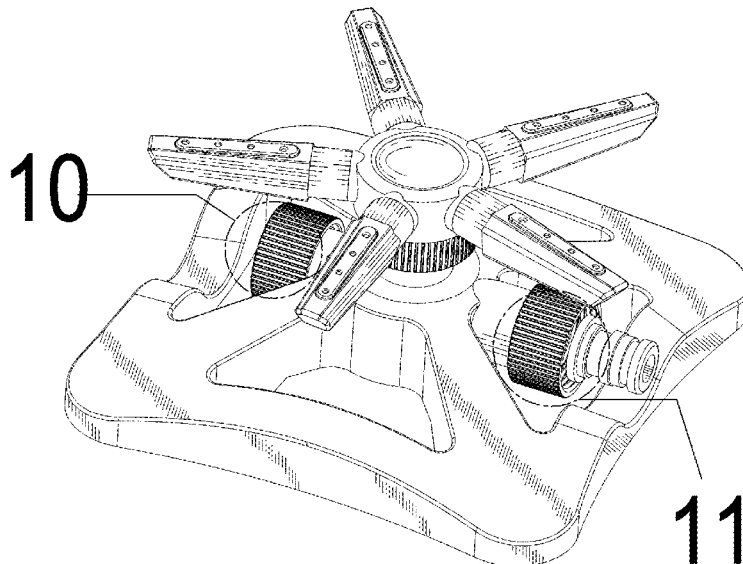
(57) **CLAIM**

The ornamental design for a sprinkler, as shown and described.

DESCRIPTION

FIG. 1 is a top, front and right side perspective view of a sprinkler showing my new design;
FIG. 2 is a top, rear and right side perspective view thereof;
FIG. 3 is a bottom, front and left side perspective view thereof;
FIG. 4 is a front elevational view thereof;
FIG. 5 is a rear elevational view thereof;
FIG. 6 is a left side elevational view thereof;
FIG. 7 is a right side elevational view thereof;
FIG. 8 is a top plan view thereof;
FIG. 9 is a bottom plan view thereof;
FIG. 10 is an enlarged view of portion 10 in FIG. 1;
FIG. 11 is an enlarged view of portion 11 in FIG. 1; and,
FIG. 12 is an enlarged view of portion 12 in FIG. 3.

1 Claim, 12 Drawing Sheets



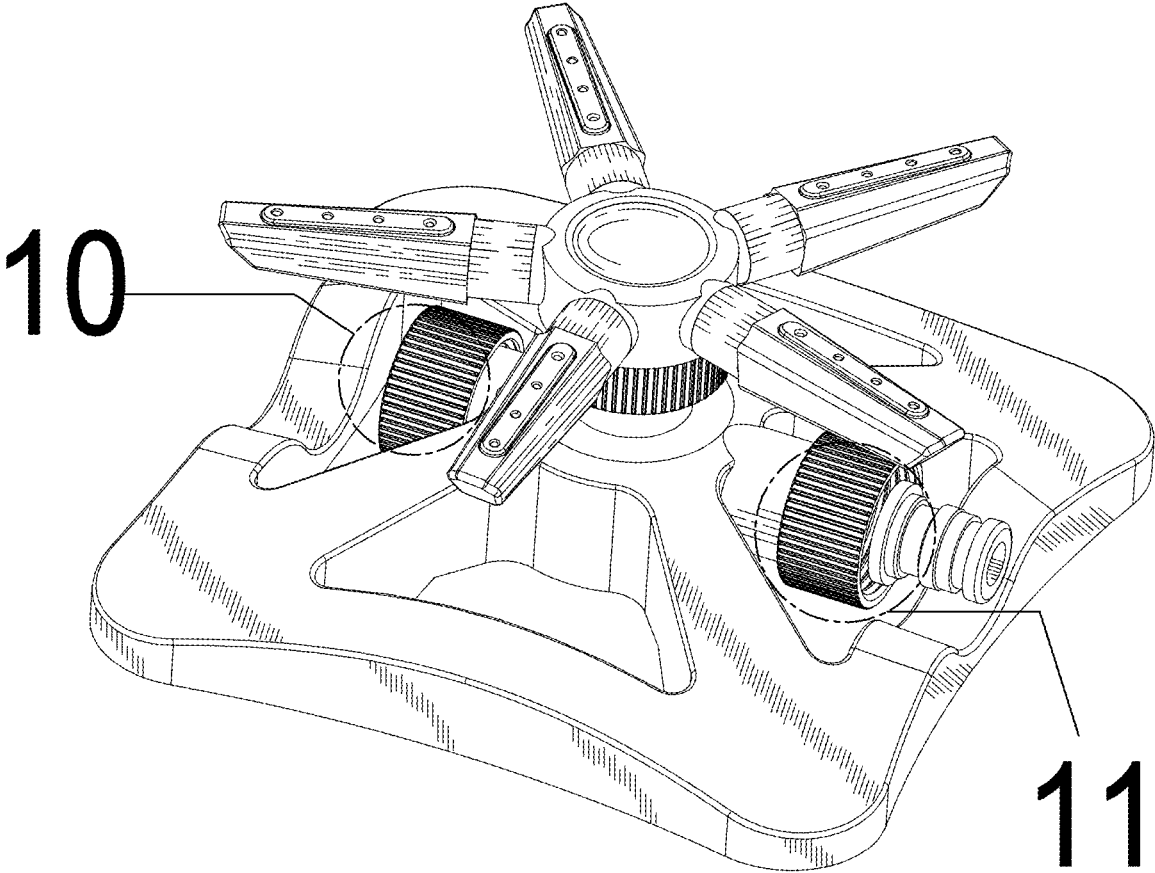


FIG.1

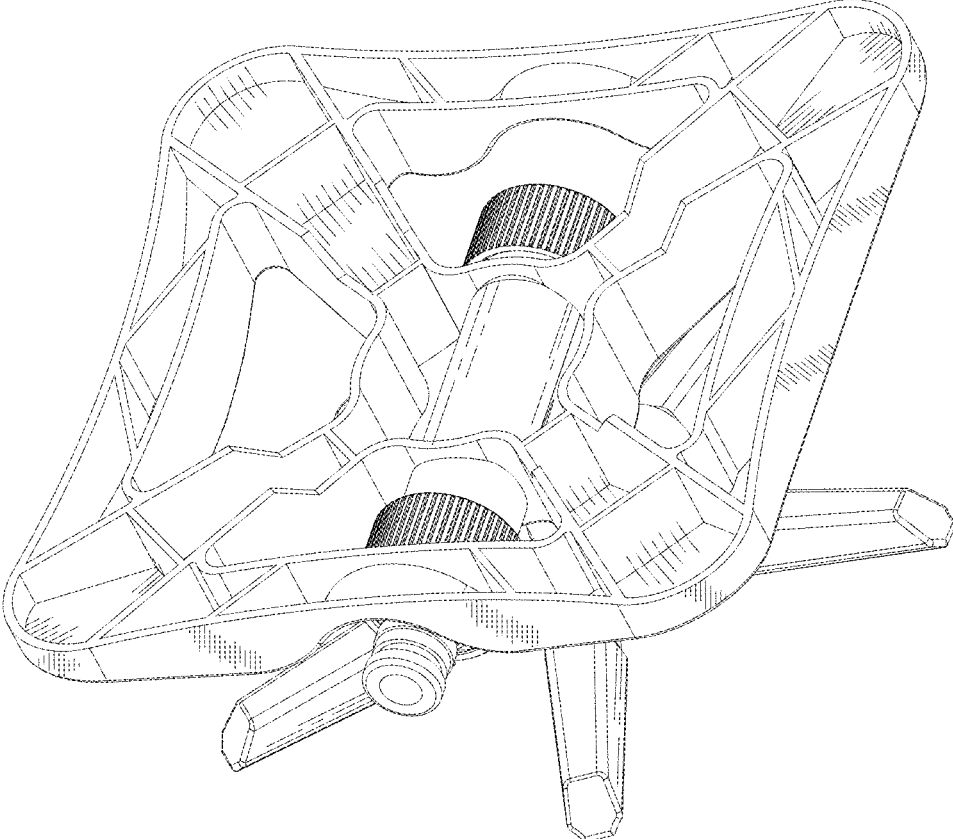


FIG.2

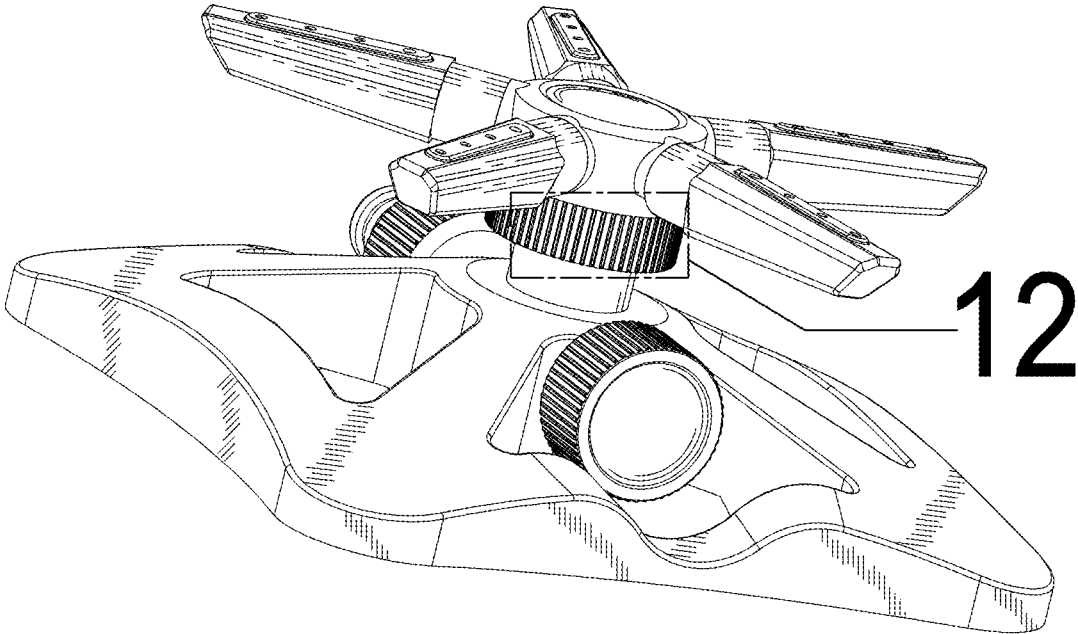


FIG.3

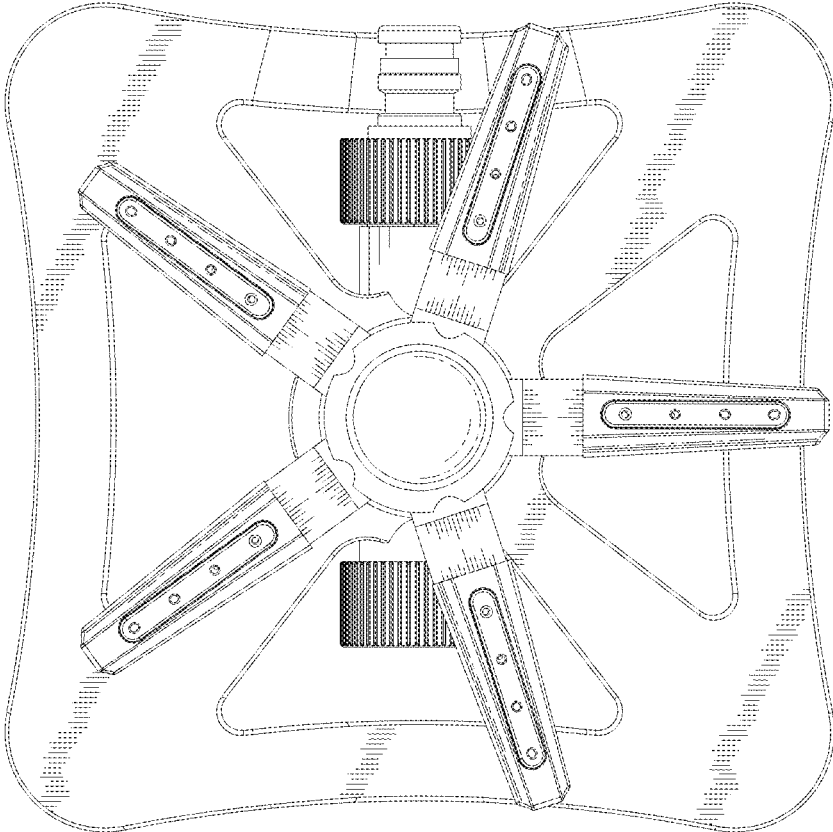


FIG.4

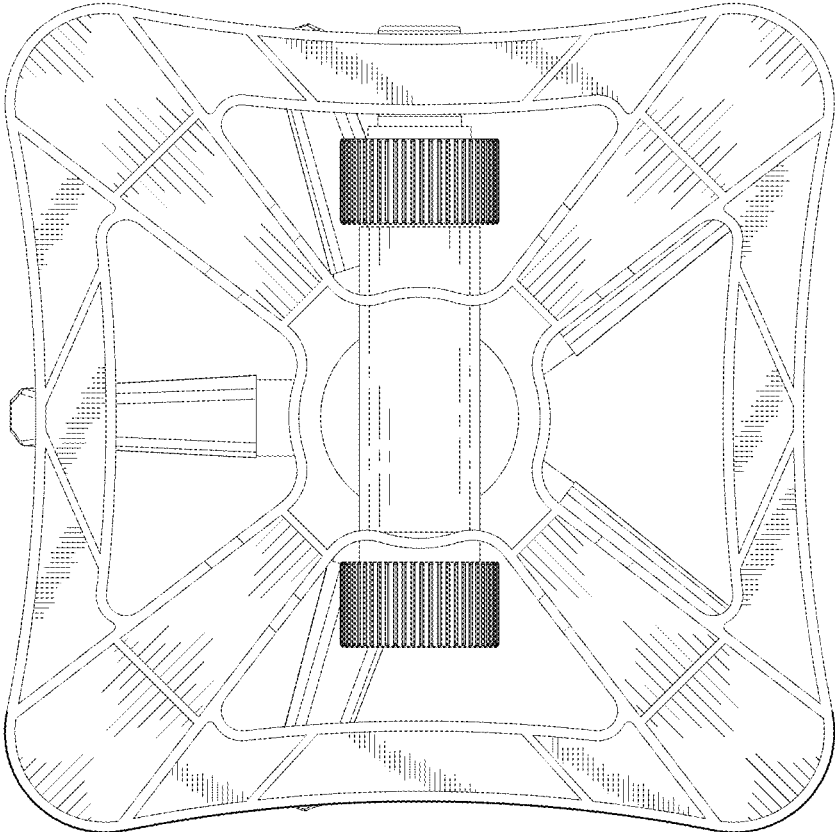


FIG.5

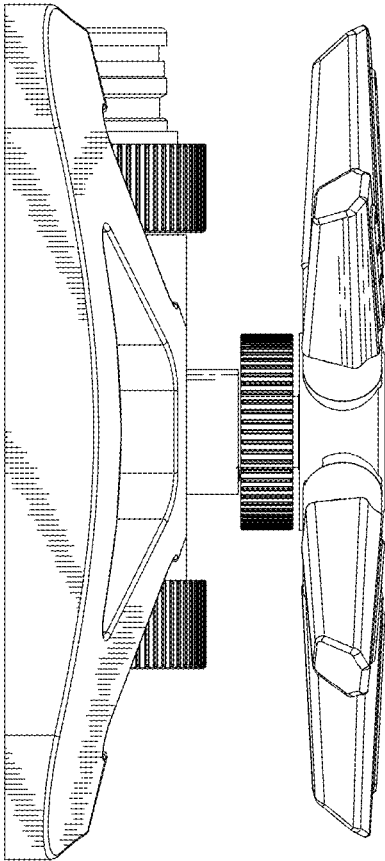


FIG.6

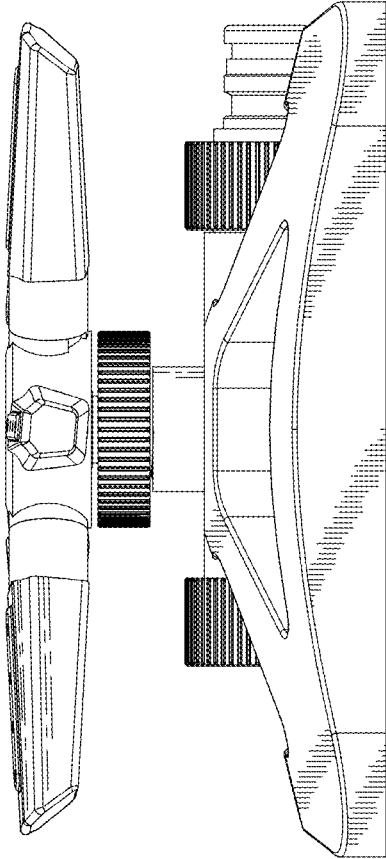


FIG. 7

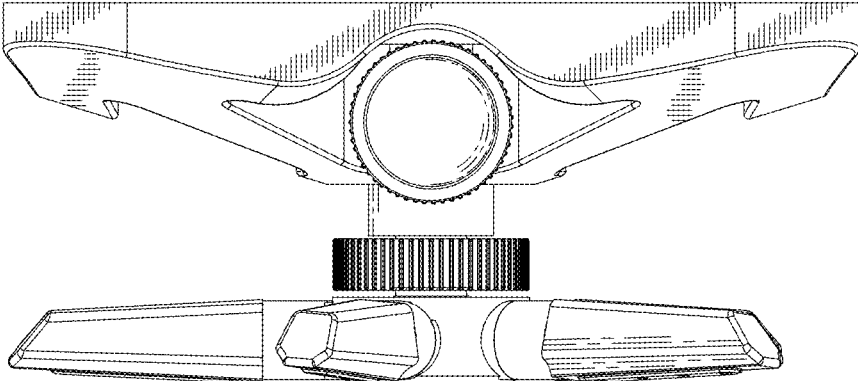


FIG.8

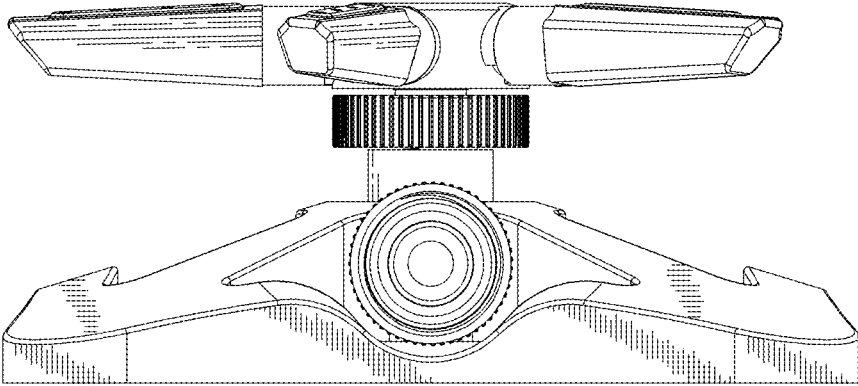


FIG.9

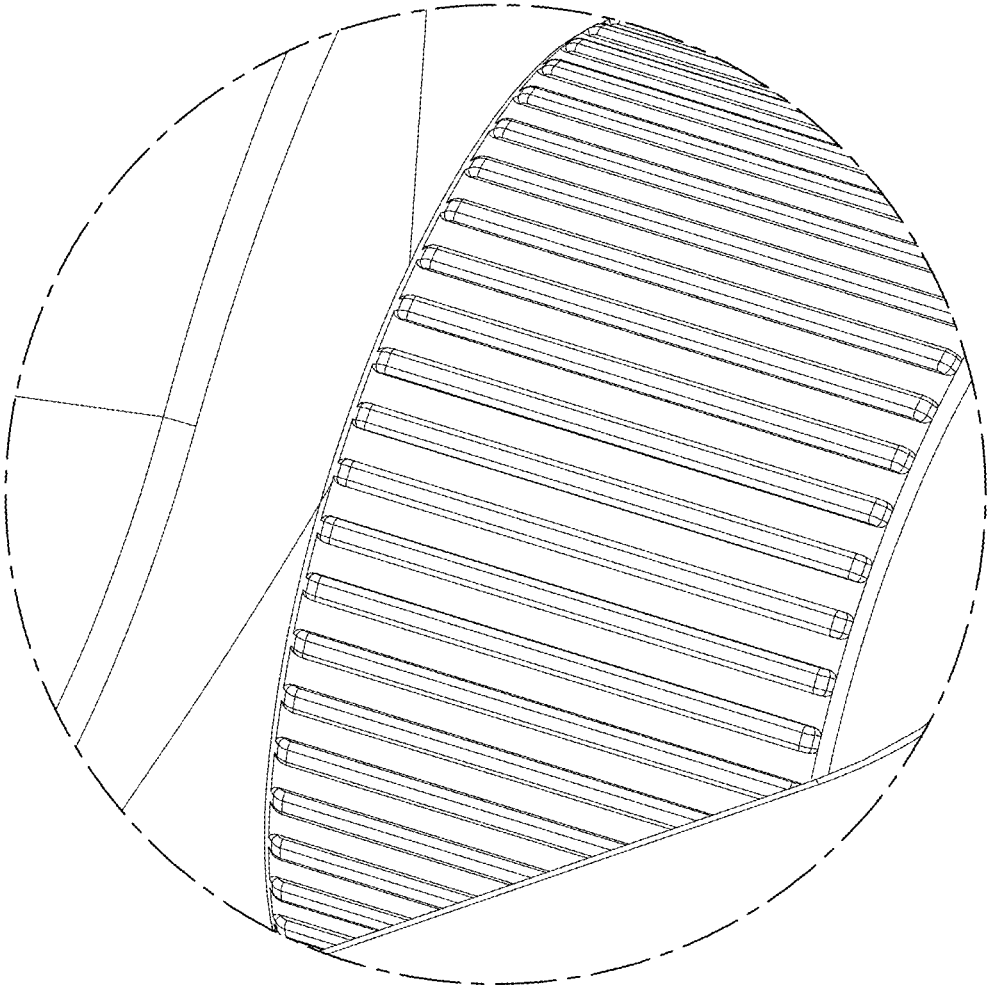


FIG.10

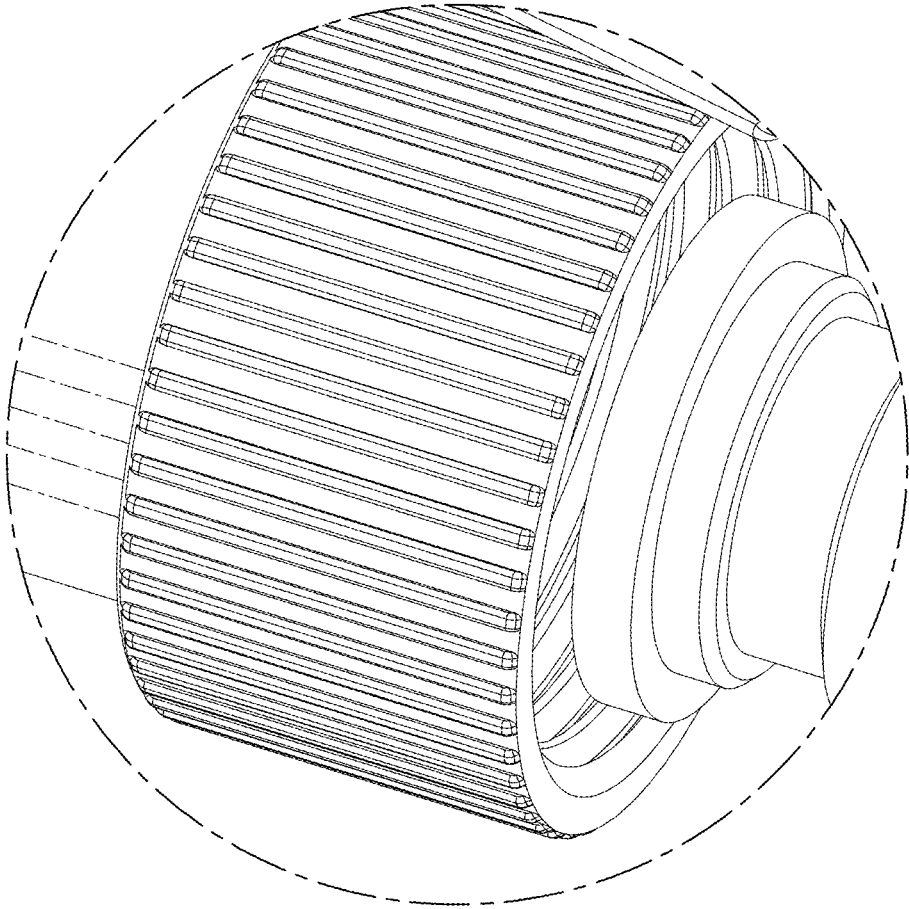


FIG.11

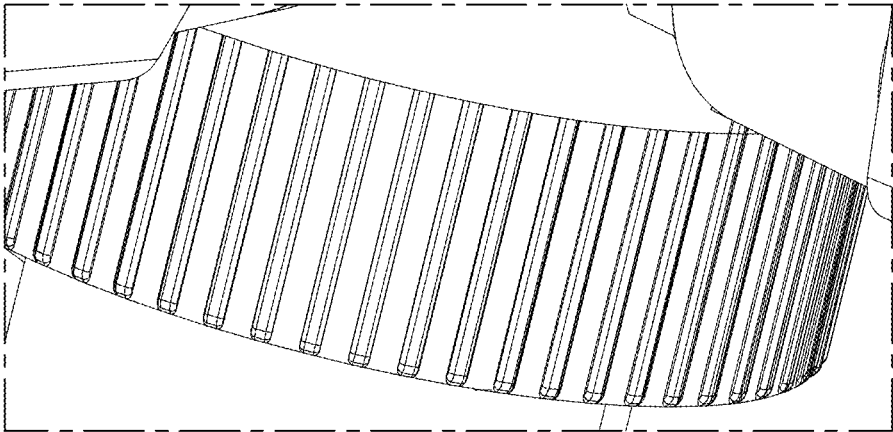


FIG.12