



US00D379124S

United States Patent [19]

[11] Patent Number: Des. 379,124

Bantly et al.

[45] Date of Patent: **May 13, 1997

- [54] HANDLE FOR SCRUB BRUSH
- [75] Inventors: **Matt Bantly**, Granby, Conn.; **Kathryn K. McEntee**, Washington, N.C.
- [73] Assignee: **Rubbermaid Cleaning Products Inc.**, Greenville, N.C.
- [**] Term: **14 Years**

1,890,812	12/1932	Hartwell	15/229.13
1,958,408	5/1934	Jelliffe et al.	15/229.13
4,580,307	4/1986	Moss	15/147 R
5,339,481	8/1994	Hoagland	15/111
5,355,545	10/1994	Hoagland	15/111

FOREIGN PATENT DOCUMENTS

1341241	9/1963	France	15/210.1
---------	--------	--------------	----------

OTHER PUBLICATIONS

P. 58, Scrub brushes; Zimmerman Brush Co., Catalog No. 780, 900 West Lake Street, Chicago, Illinois 60607. Published at least as early as Dec., 1987.

Pp. 6, 45, 46 and 81, Scrub brushes; Empire Brushes, Inc., U.S. Highway 13 North, P.O. Box 16016, Greenville, North Carolina 27835. Publication date May, 1993.

Catalog page, Scrub brush; Wilen Manufacturing Co., Georgia. Published at least as early as Dec., 1987.

Primary Examiner—A. Hugo Word
Assistant Examiner—Lavone D. Tabor
Attorney, Agent, or Firm—Richard B. O'Planick; Lisa B. Riedesel

- [21] Appl. No.: **53,647**
- [22] Filed: **Apr. 26, 1996**
- [51] LOC (6) Cl. **04-01**
- [52] U.S. Cl. **D4/138**
- [58] Field of Search D4/129, 130, 132, D4/134, 135, 137, 138; D8/45; 15/143.1, 159.1, 160, 235.4, 229.11, 229.13, 244.1

References Cited

U.S. PATENT DOCUMENTS

D. 126,041	3/1941	Cosby	D4/129
139,383	5/1873	Goodsell	15/235.4
D. 240,473	7/1976	Parker	D4/129
D. 269,565	7/1983	Goldstaub	D4/129
D. 307,518	5/1990	Bryant	D4/138
D. 329,452	9/1992	Murphy et al.	D4/129
D. 344,635	3/1994	Berti	D4/138
D. 346,499	5/1994	Berti	D4/199
D. 349,635	8/1994	Berti et al.	D8/14
D. 354,170	1/1995	Libman	D4/199
D. 356,445	3/1995	Hoagland	D4/138
D. 356,446	3/1995	Hoagland	D4/138
D. 357,127	4/1995	Hoagland	D4/138
D. 357,586	4/1995	Tubman	D4/133
D. 359,854	7/1995	Hoagland	D4/138
D. 360,763	8/1995	Camp, Jr. et al.	D4/138
D. 360,988	8/1995	Laubach, III et al.	D4/138
D. 363,609	10/1995	Bochnak et al.	D4/138
D. 366,762	2/1996	Ward	D4/136

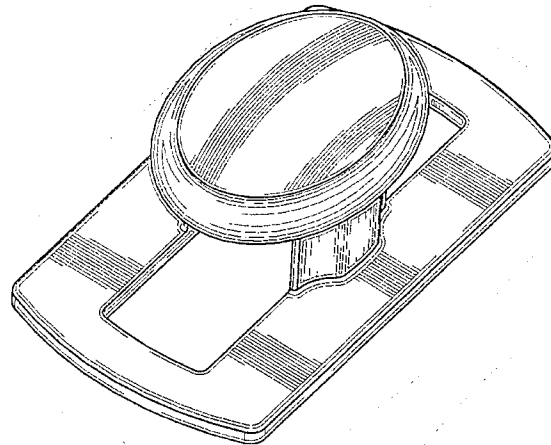
[57] CLAIM

The ornamental design for a handle for scrub brush, as shown and described.

DESCRIPTION

FIG. 1 is a top left front perspective view of a handle for scrub brush showing our new design;
 FIG. 2 is a top plan view thereof;
 FIG. 3 is a front elevational view thereof; the rear elevational view being a mirror image; and,
 FIG. 4 is a right side elevational view thereof; the left side elevational view being a mirror image.
 The broken lines are for illustrative purposes only and form no part of the claimed design.

1 Claim, 4 Drawing Sheets



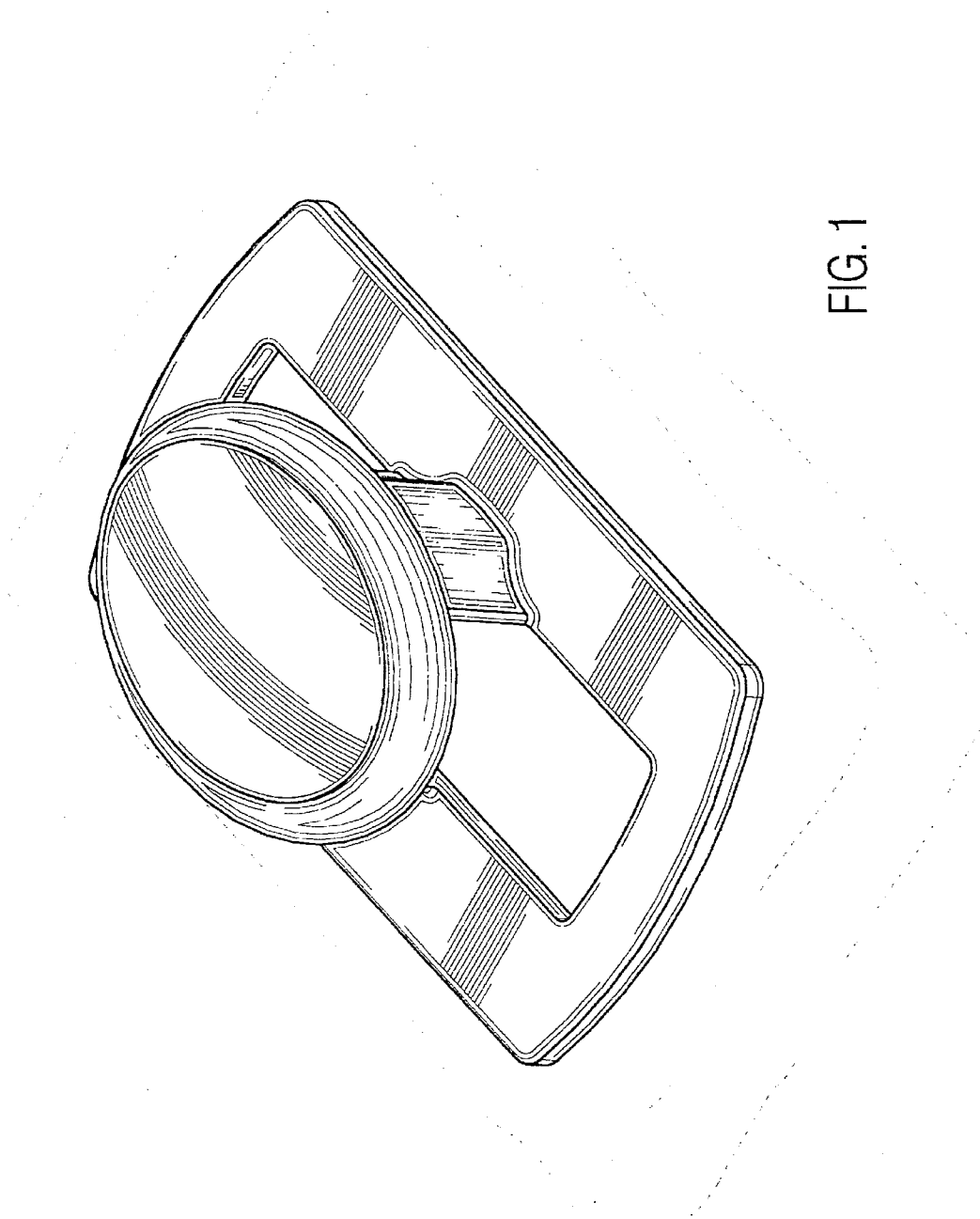


FIG. 1

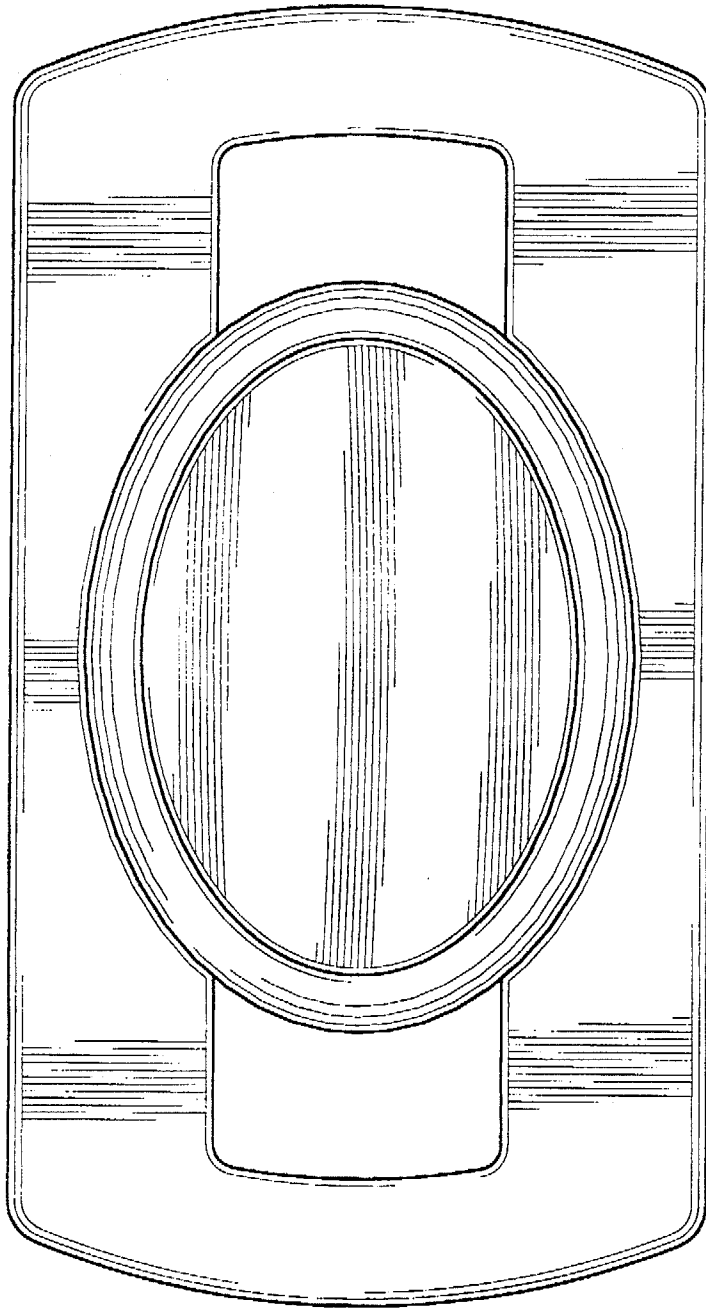


FIG. 2

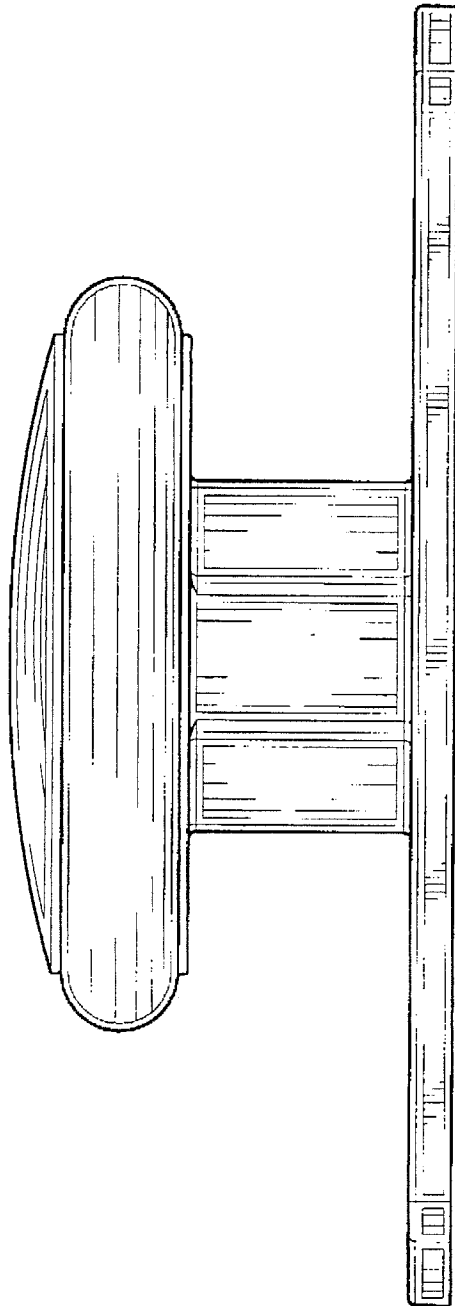


FIG. 3

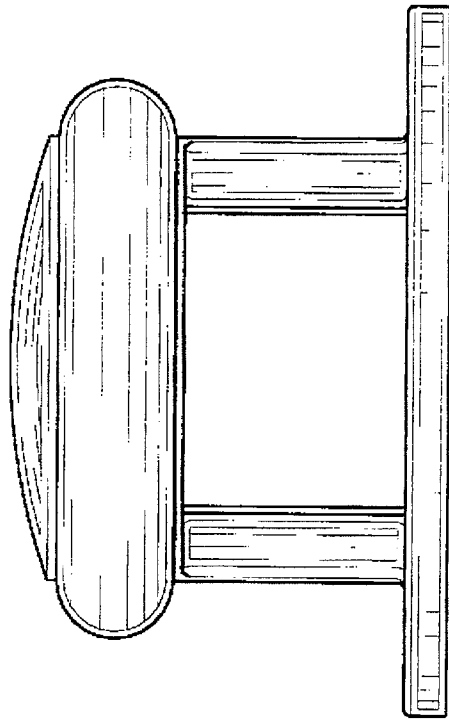


FIG. 4