



US00D422411S

**United States Patent** [19]  
**Martin**

[11] **Patent Number: Des. 422,411**  
[45] **Date of Patent: \*\* Apr. 11, 2000**

[54] **INFANT CARE BAG**

5,230,450 7/1993 Mahvi et al. .... 224/153  
5,813,445 9/1998 Christman ..... 150/112

[76] Inventor: **Melissa A. Martin**, 3895 County Rd.  
26, Blountsville, Ala. 35031

*Primary Examiner*—Louis S. Zarfes  
*Assistant Examiner*—Monica A. Weingart  
*Attorney, Agent, or Firm*—Joseph N. Breaux

[\*\*] Term: **14 Years**

[57] **CLAIM**

[21] Appl. No.: **29/076,030**

I claim the ornamental design for an infant care bag, as shown.

[22] Filed: **Aug. 29, 1997**

[51] **LOC (6) Cl.** ..... **03-01**

[52] **U.S. Cl.** ..... **D3/303; D3/201; D3/245;**  
D3/246

[58] **Field of Search** ..... D3/201, 232, 233,  
D3/245, 246, 303; 150/107, 112, 113; 190/110,  
115; 303/4, 40

**DESCRIPTION**

FIG. 1 is a perspective view of my infant care bag design. FIG. 2 is a top plan view of my infant care bag design. FIG. 3 is a plan view of one of the longer side of my infant care bag design, the opposite longer side being identical in construction and appearance.

[56] **References Cited**

**U.S. PATENT DOCUMENTS**

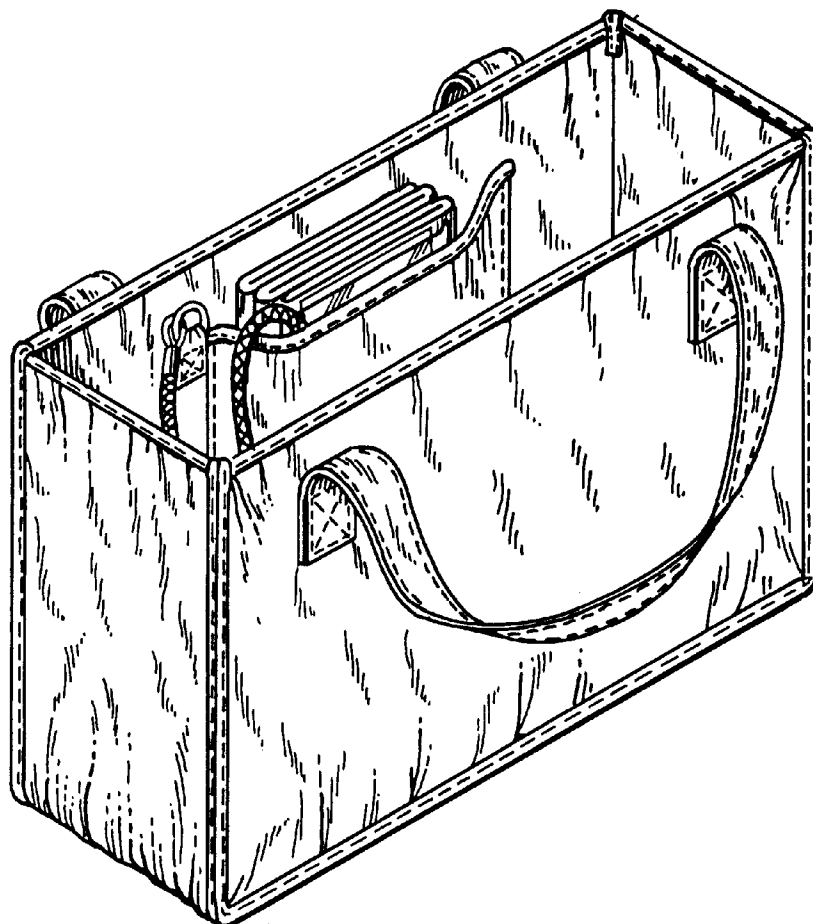
Re. 25,826	8/1965	Ward	150/112
D. 390,700	2/1998	Miller et al.	D3/246
1,653,246	12/1927	Zichy	
3,963,102	6/1976	Carp	150/112
4,154,323	5/1979	Sneider	150/112
4,463,789	8/1984	Leiserson	150/112
4,874,340	10/1989	Smallwood	446/28
4,961,522	10/1990	Weber	224/151

FIG. 4 is a perspective view of my infant care bag design with the accordion fold safety card/first-aid folder removed from the folder storage pocket; and,

FIG. 5 is a plan view of one of the shorter side ends of my infant care bag design, the opposite shorter side end being identical in construction and appearance.

The rear of the fold safety card/first-aid folder not shown in FIG. 4 forms no part of the claimed design.

**1 Claim, 2 Drawing Sheets**



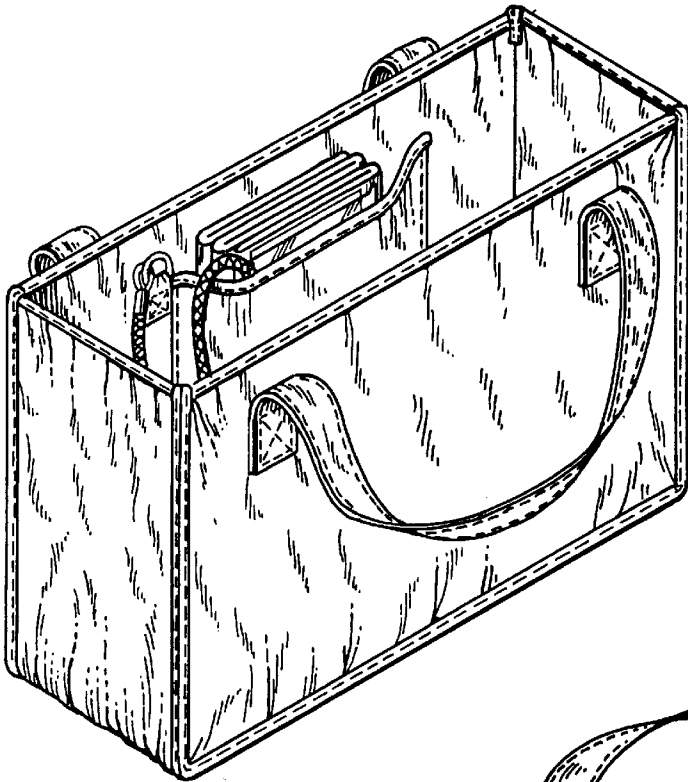


FIG. 1.

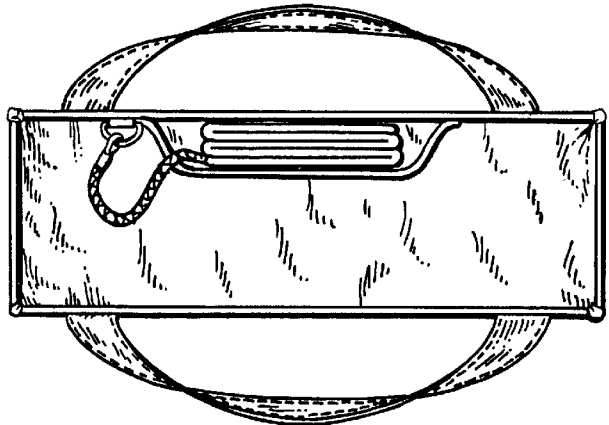


FIG. 2.

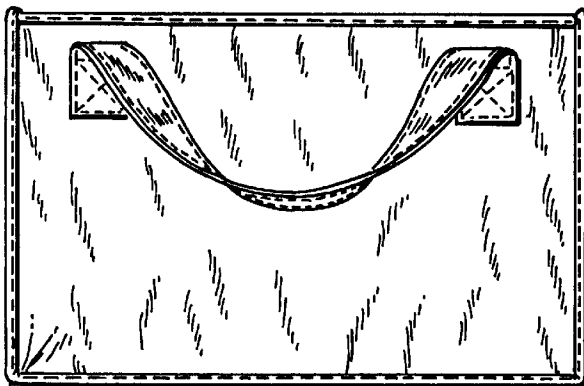


FIG. 3.

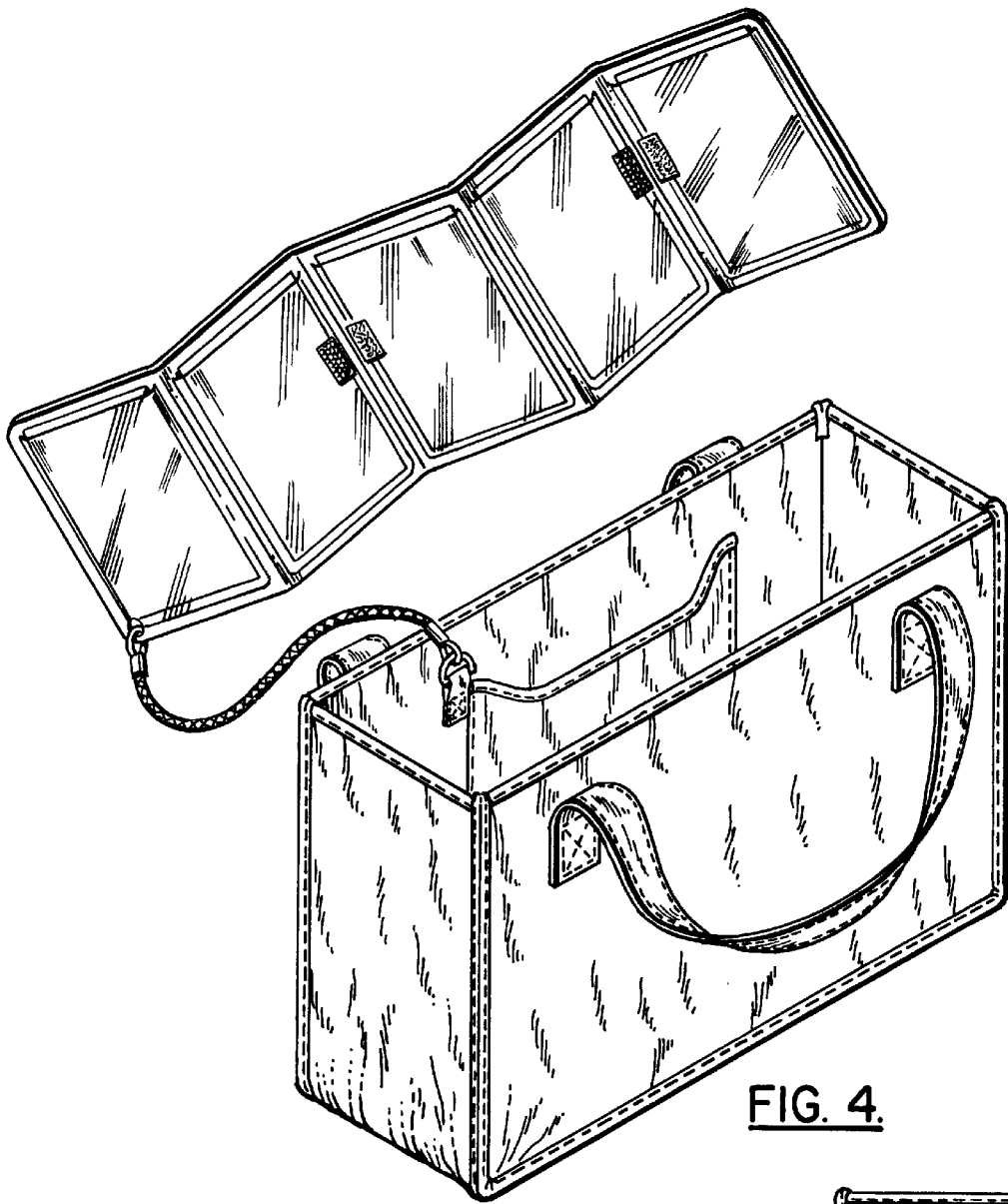


FIG. 4.

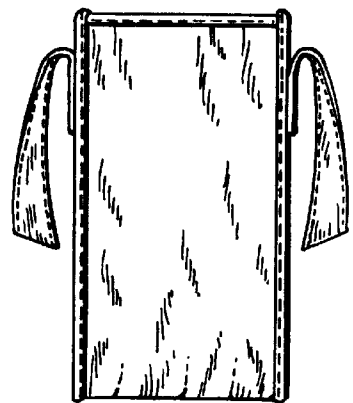


FIG. 5.