



US00D863205S

(12) **United States Design Patent**
Lin

(10) **Patent No.:** **US D863,205 S**

(45) **Date of Patent:** **** Oct. 15, 2019**

(54) **MULTI-FUNCTION CAR PHONE HOLDER**

D818,421 S * 5/2018 Hu D12/415
D833,369 S * 11/2018 Lan D12/415
D852,188 S * 6/2019 He D14/253

(71) Applicant: **Xiaodong Lin**, Guangdong (CN)

* cited by examiner

(72) Inventor: **Xiaodong Lin**, Guangdong (CN)

Primary Examiner — Abraham Bahta

(**) Term: **15 Years**

(74) *Attorney, Agent, or Firm* — Justin Lampel

(21) Appl. No.: **29/657,857**

(22) Filed: **Jul. 26, 2018**

(57) **CLAIM**

(51) **LOC (12) Cl.** **12-16**

The ornamental design for a multi-function car phone holder, as shown and described.

(52) **U.S. Cl.**

USPC **D12/415**

(58) **Field of Classification Search**

DESCRIPTION

USPC D12/415-420, 400, 191, 106, 195, 345,
D12/96, 99
CPC B60R 7/06; B60R 11/02; B60R 2011/005;
B60R 2011/0012; A61L 9/12; A61L 9/04
See application file for complete search history.

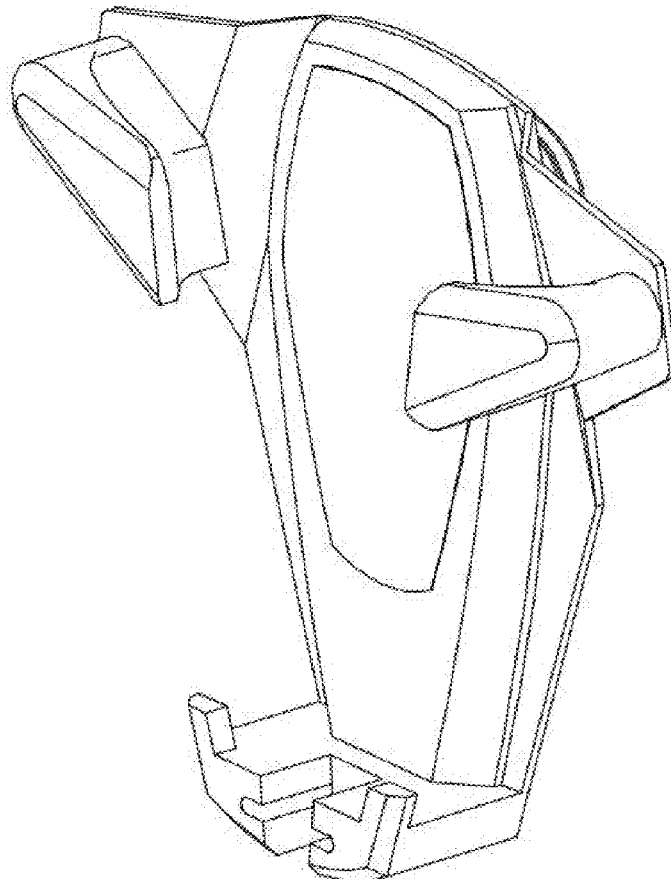
FIG. 1 is a perspective view of a multi-function car phone holder showing my new design;
FIG. 2 is a front side view thereof;
FIG. 3 is a rear side view thereof;
FIG. 4 is a right side view thereof;
FIG. 5 is a left side view thereof;
FIG. 6 is a bottom plan view thereof; and,
FIG. 7 is a top plan view thereof.

(56) **References Cited**

U.S. PATENT DOCUMENTS

D767,556 S * 9/2016 Lee D12/415
D796,421 S * 9/2017 Huang D12/415

1 Claim, 7 Drawing Sheets



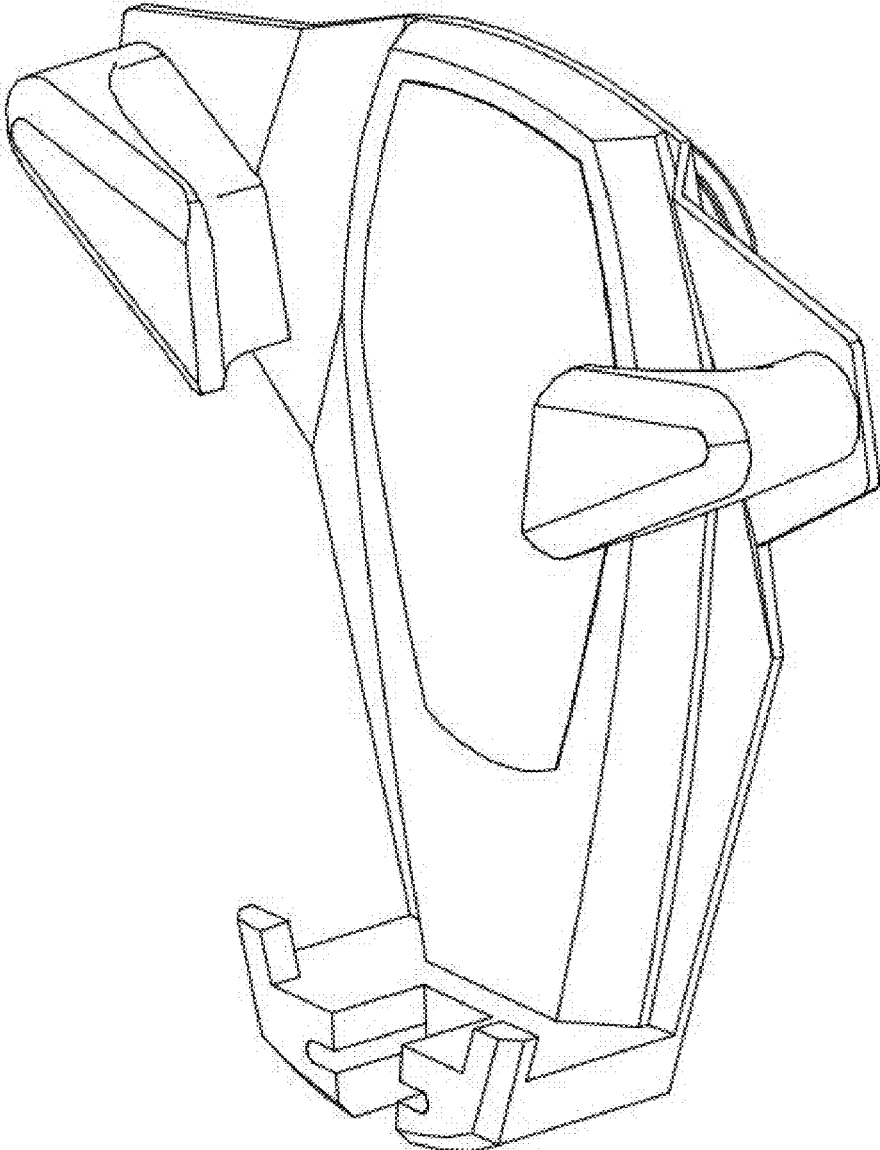


FIG. 1

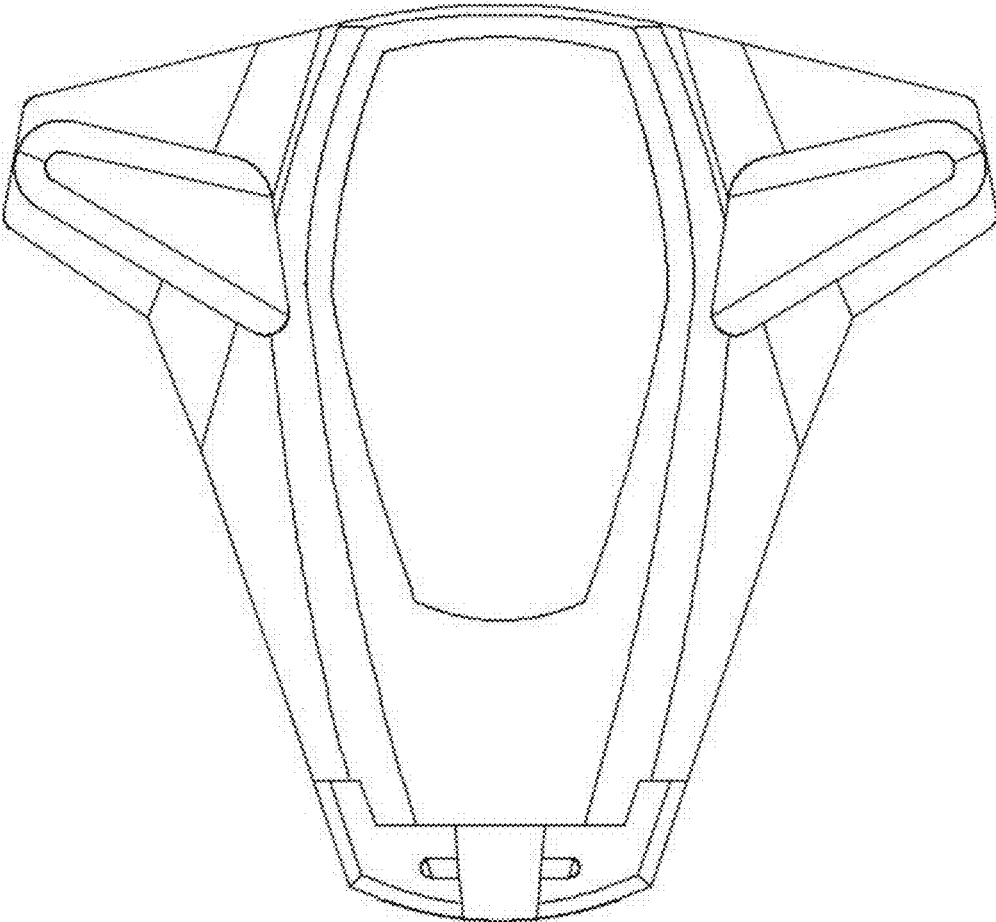


FIG. 2

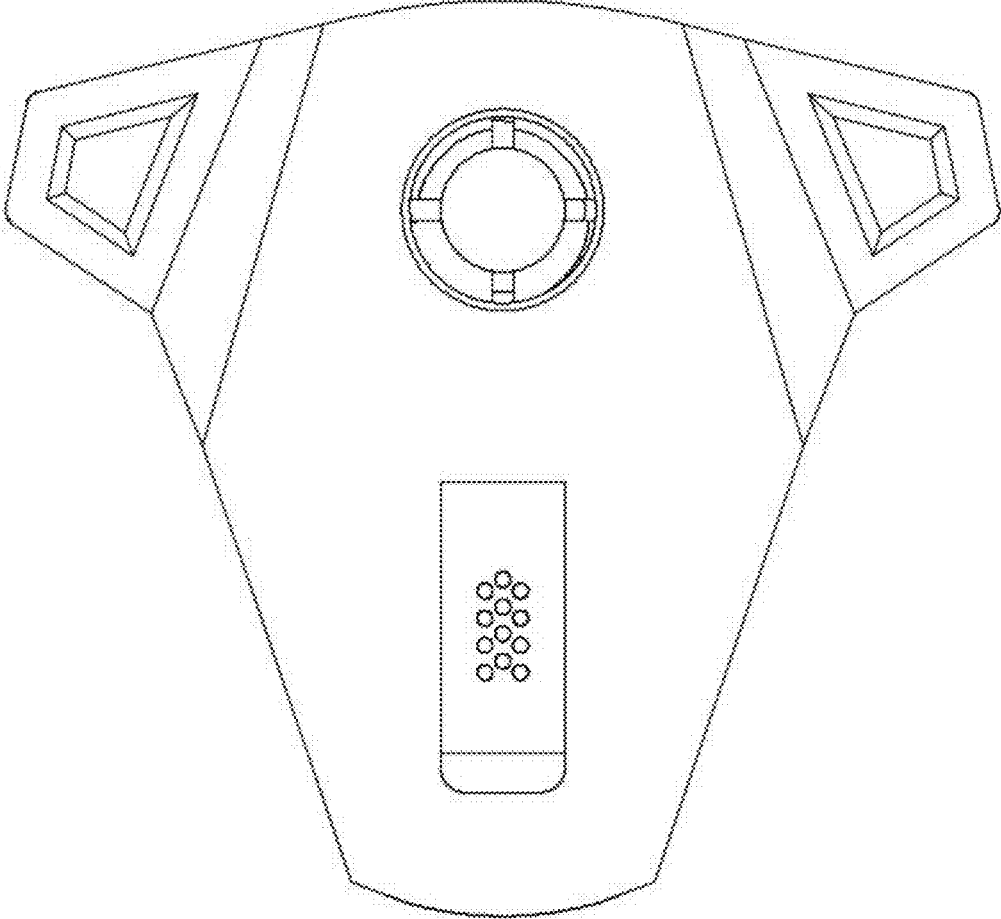


FIG. 3

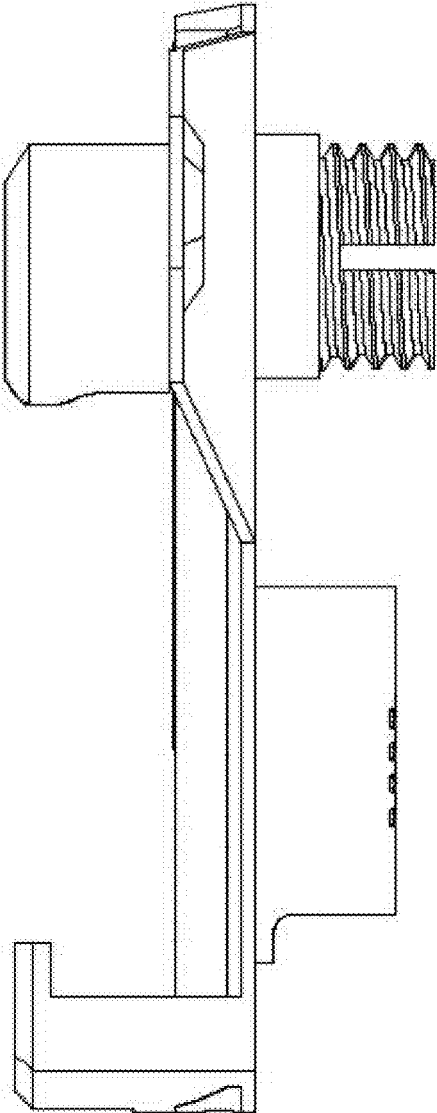


FIG. 4

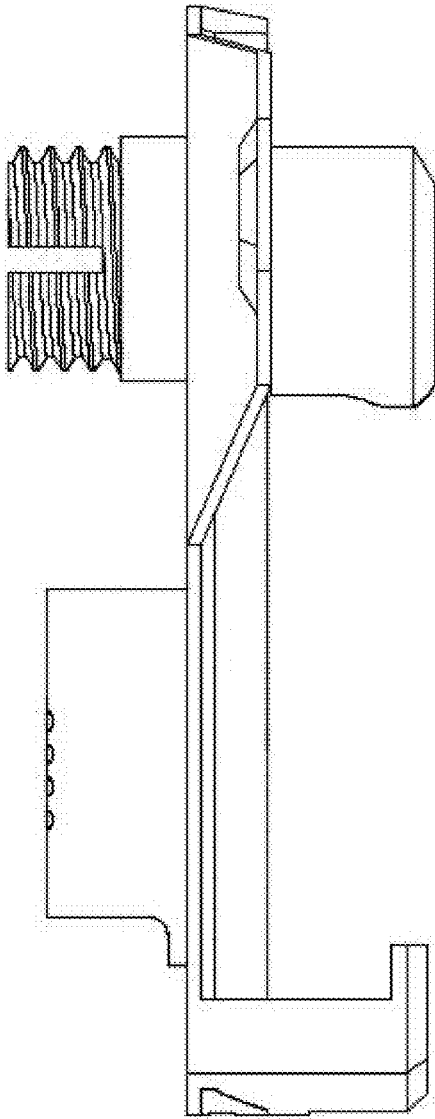


FIG. 5

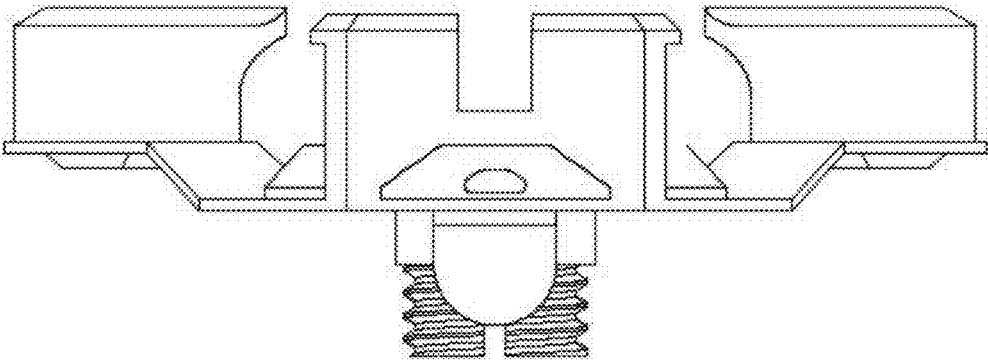


FIG. 6

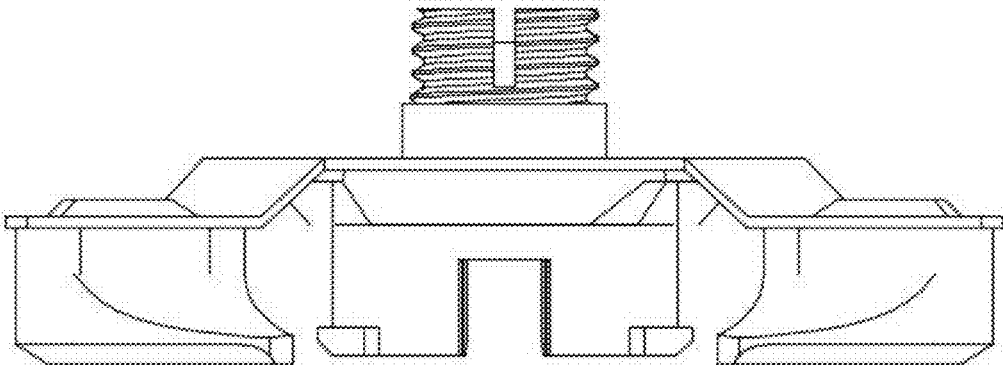


FIG. 7