

United States Patent [19]

Sakaguchi et al.

[11] Patent Number: Des. 309,747

[45] Date of Patent: ** Aug. 7, 1990

[54] ELECTRONIC CALCULATOR WITH SOLAR CELL

[75] Inventors: Hiroshi Sakaguchi; Tadahiko Saimen, both of Osaka, Japan

[73] Assignee: Sharp Corporation, Osaka, Japan

[**] Term: 14 Years

[21] Appl. No.: 44,451

[22] Filed: Apr. 30, 1987

[30] Foreign Application Priority Data

Nov. 5, 1986 [JP] Japan 61-43765

[52] U.S. Cl. D18/7

[58] Field of Search D18/1, 2, 6, 7, 11, D18/12; 240/5 A; 364/706-710

[56] References Cited

U.S. PATENT DOCUMENTS

D. 263,602 3/1982 Yoshioka et al. D18/7

D. 273,393 4/1984 Sakamoto D18/7
D. 275,770 10/1984 Yamada D18/7
D. 284,200 6/1986 Hayashi D18/7
D. 285,934 9/1986 Yoshioka et al. D18/7

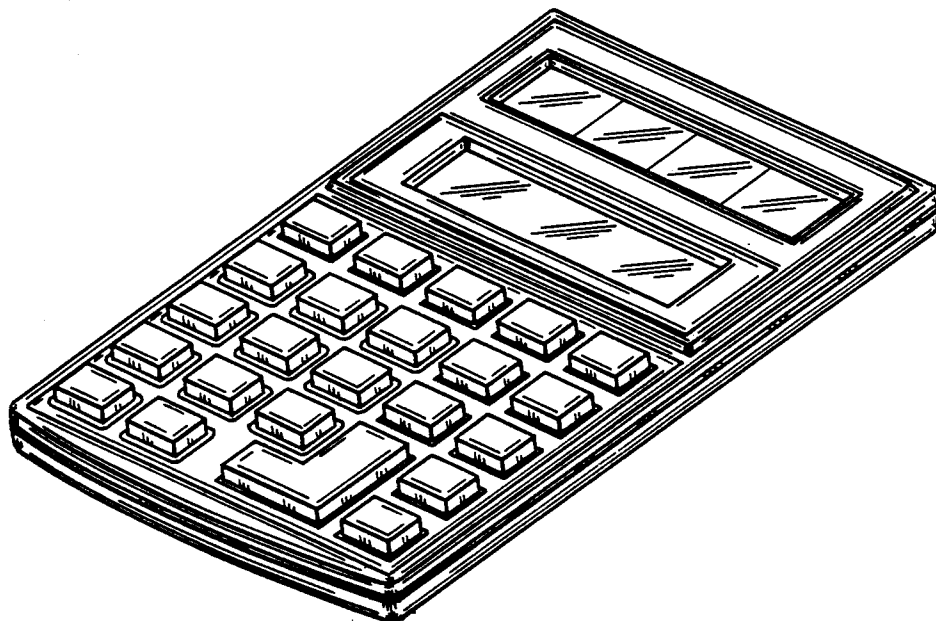
Primary Examiner—Nelson C. Holtje
Assistant Examiner—Caron D. Veynar
Attorney, Agent, or Firm—Flehr, Hohbach, Test, Albritton & Herbert

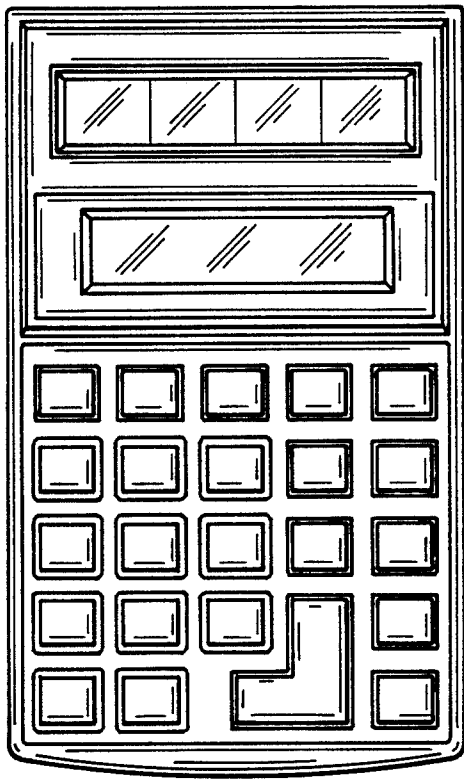
[57] CLAIM

The ornamental design for an electronic calculator with solar cell, as shown and described.

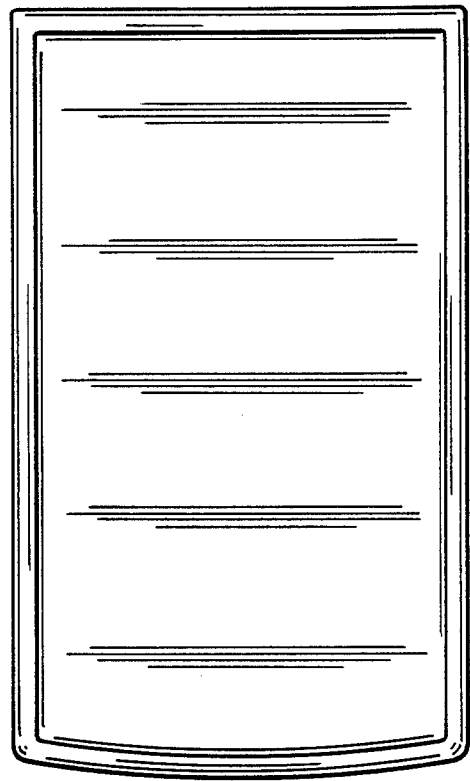
DESCRIPTION

FIG. 1 is a top plan view of the electronic calculator with solar cell showing our new design; FIG. 2 is a bottom plan view thereof; FIG. 3 is a front elevational view thereof; FIG. 4 is a rear elevational view thereof; FIG. 5 is a right side elevational view thereof; FIG. 6 is a left side elevational view thereof; and FIG. 7 is a right front perspective view thereof.





FIG_1



FIG_2



FIG_3



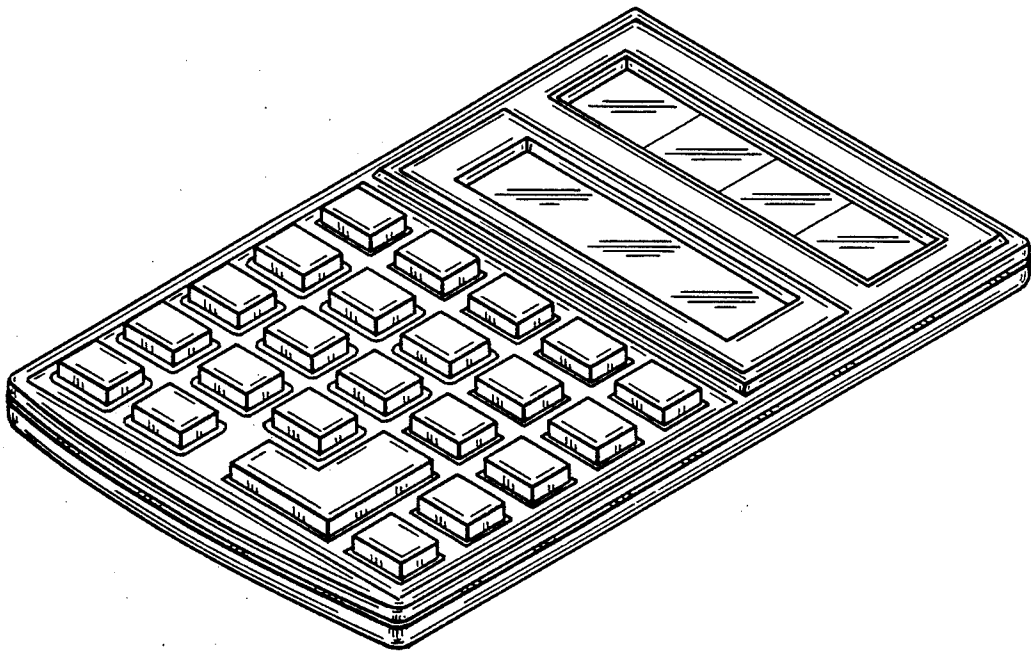
FIG_4



FIG_5



FIG_6



FIG_7