



US00D815738S

(12) **United States Design Patent**  
**Ye et al.**

(10) **Patent No.:** **US D815,738 S**  
(45) **Date of Patent:** **\*\* Apr. 17, 2018**

(54) **ELECTROSURGICAL PENCIL**  
(71) Applicants: **Zhejiang Shuyou Surgical Instrument Co., Ltd.**, Huzhou, Zhejiang (CN); **5 STAR MEDICAL CORPORATION**, Seneca Falls, NY (US)  
(72) Inventors: **Jingqi Ye**, Zhejiang (CN); **Youjun Wang**, Zhejiang (CN); **Zuokai Yin**, Zhejiang (CN); **Chaohui Tang**, Zhejiang (CN); **Chengfa Liu**, Zhejiang (CN); **Yin Su**, Zhejiang (CN)  
(73) Assignees: **ZHEJIANG SHUYOU SURGICAL INSTRUMENT CO., LTD.**, Anji Economic Development Zone, Health (Medicine) Industrial Park, Huzhou, Zhejiang (CN); **5 STAR MEDICAL CORPORATION**, Seneca Falls, NY (US)

5,376,089 A \* 12/1994 Smith ..... A61B 18/1402 200/505  
5,484,434 A \* 1/1996 Cartmell ..... A61B 18/1402 606/37  
6,402,748 B1 \* 6/2002 Schoenman ..... A61B 18/1402 606/45  
D490,152 S \* 5/2004 Myall ..... D24/144  
8,128,622 B2 \* 3/2012 Podhajsky ..... A61B 18/1402 606/41  
8,211,103 B2 \* 7/2012 Greep ..... A61B 18/1477 606/42  
2016/0081679 A1 \* 3/2016 Stoddard ..... A61B 18/1402 156/73.1  
2016/0081742 A1 \* 3/2016 Stoddard ..... A61B 18/1402 606/42

\* cited by examiner

*Primary Examiner* — Wan Laymon  
(74) *Attorney, Agent, or Firm* — Global IP Services; Tianhua Gu

(\*\*) Term: **15 Years**  
(21) Appl. No.: **29/570,019**  
(22) Filed: **Jul. 1, 2016**

(30) **Foreign Application Priority Data**

Mar. 25, 2016 (CN) ..... 2016 3 0091419

(51) **LOC (11) CL.** ..... **24-02**  
(52) **U.S. CL.**  
USPC ..... **D24/144**

(58) **Field of Classification Search**  
USPC ..... D24/144, 146–147, 133  
CPC . A61B 18/1402; A61B 18/14; A61B 18/1477; A61B 2018/00708  
See application file for complete search history.

(56) **References Cited**

**U.S. PATENT DOCUMENTS**

D249,549 S \* 9/1978 Pike ..... D24/144  
5,000,754 A \* 3/1991 DeOliveira ..... A61B 18/1402 606/42

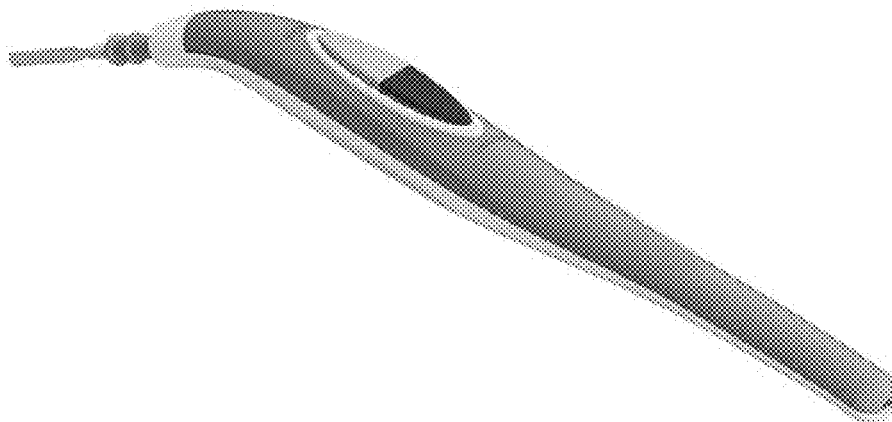
(57) **CLAIM**

The ornamental design for an electrosurgical pencil, as shown and described.

**DESCRIPTION**

FIG. 1 is a front elevational view of an electrosurgical pencil showing our new design;  
FIG. 2 is a rear elevational view thereof;  
FIG. 3 is a top plan view thereof;  
FIG. 4 is a bottom plan view thereof;  
FIG. 5 is an enlarged left side elevational view thereof;  
FIG. 6 is an enlarged right side elevational view thereof;  
FIG. 7 is a right perspective view thereof;  
FIG. 8 is a left perspective view thereof;  
FIG. 9 is an enlarged partial view of the FIG. 3;  
FIG. 10 is an enlarged partial view of the FIG. 7; and,  
FIG. 11 is an enlarged partial view of the FIG. 8.

**1 Claim, 8 Drawing Sheets**



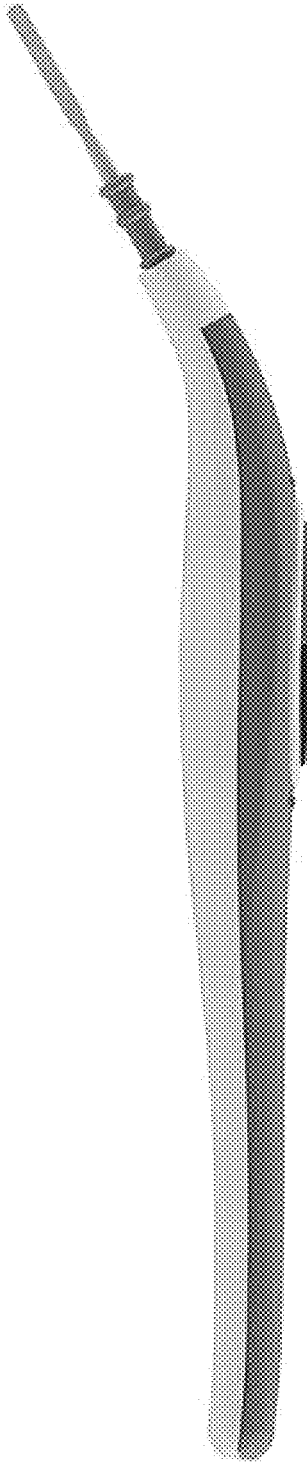


FIG. 1

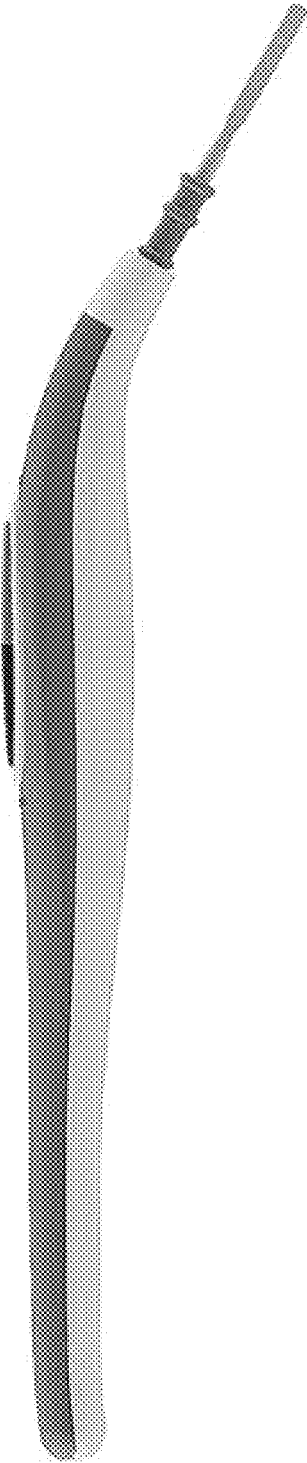


FIG. 2



FIG. 3

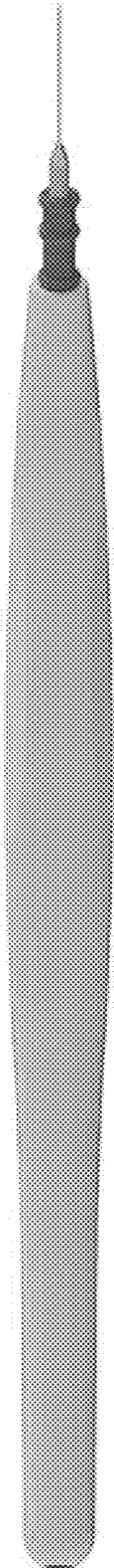


FIG. 4

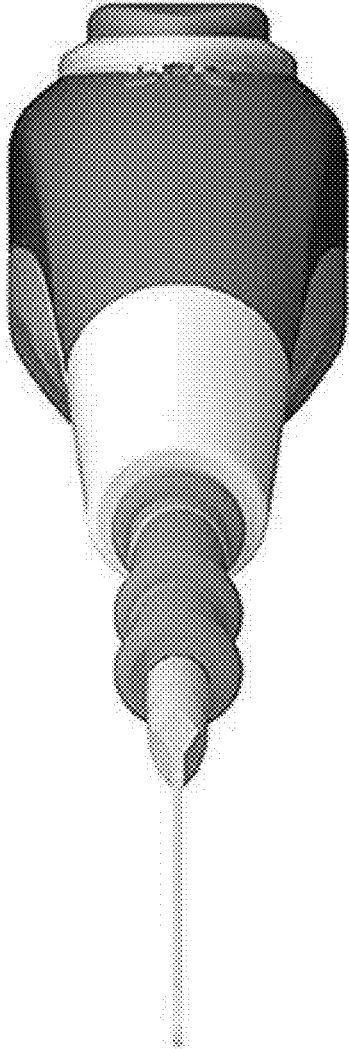


FIG. 5

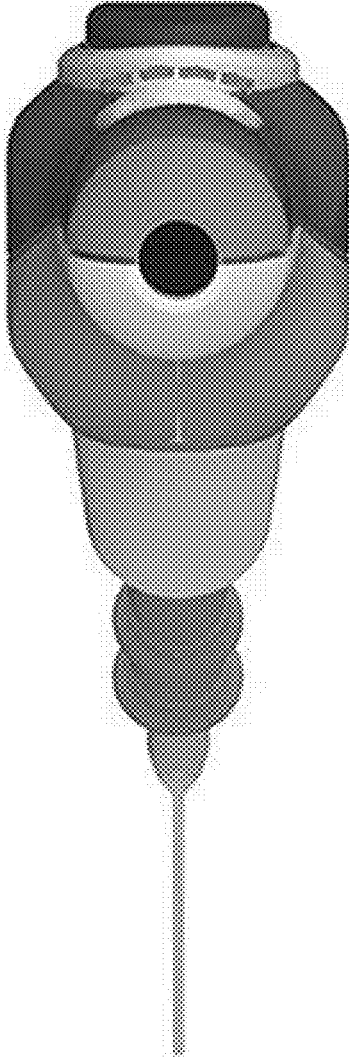


FIG. 6

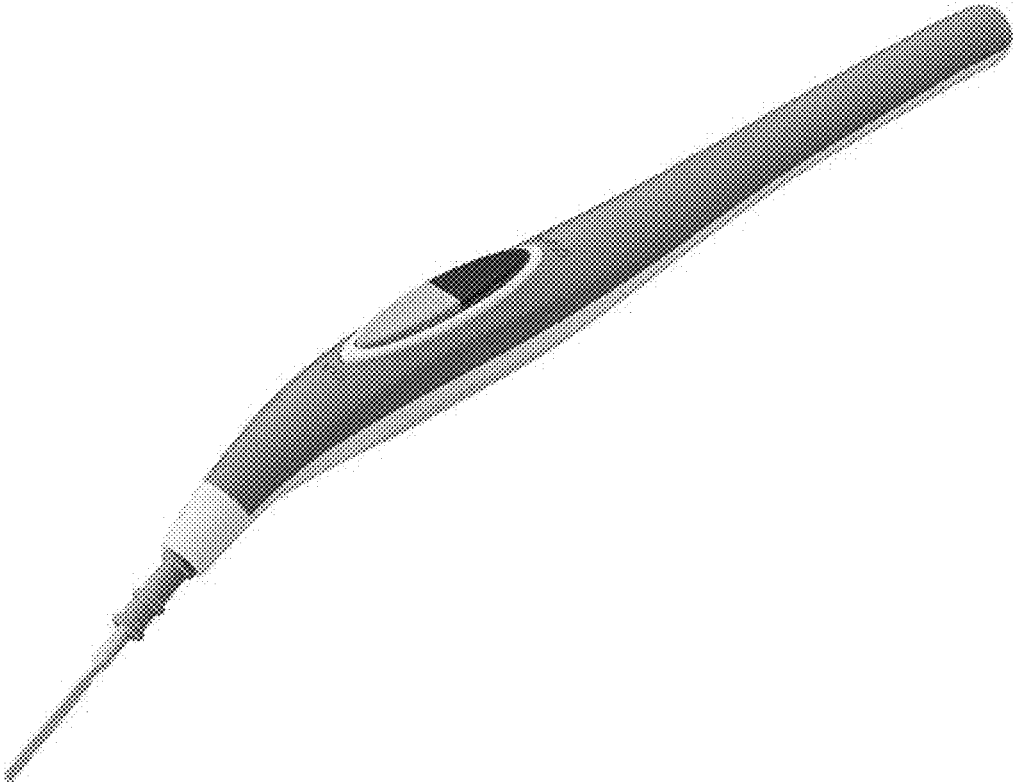


FIG. 7

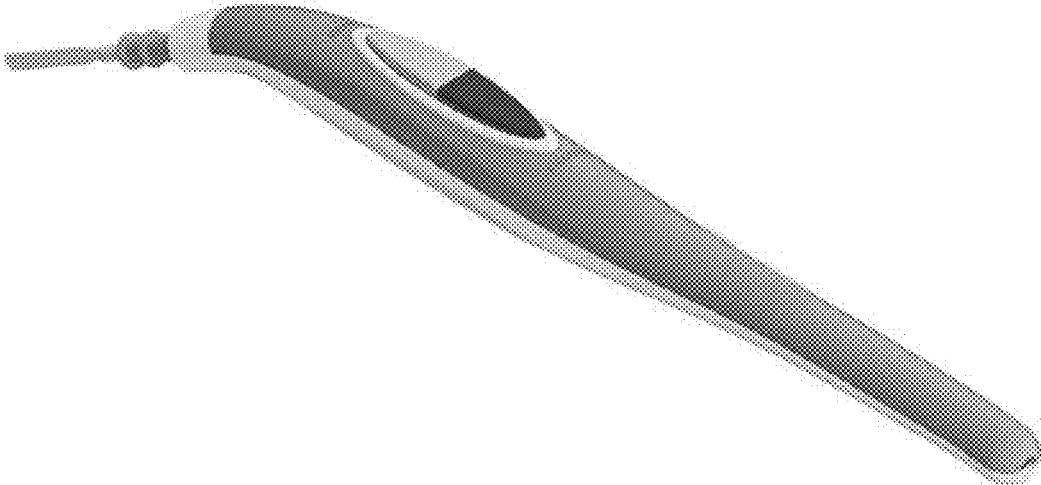


FIG. 8

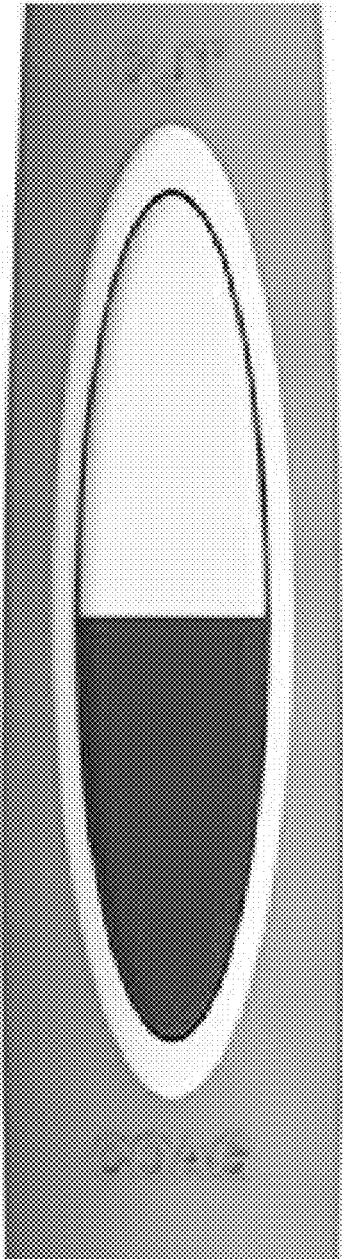


FIG. 9

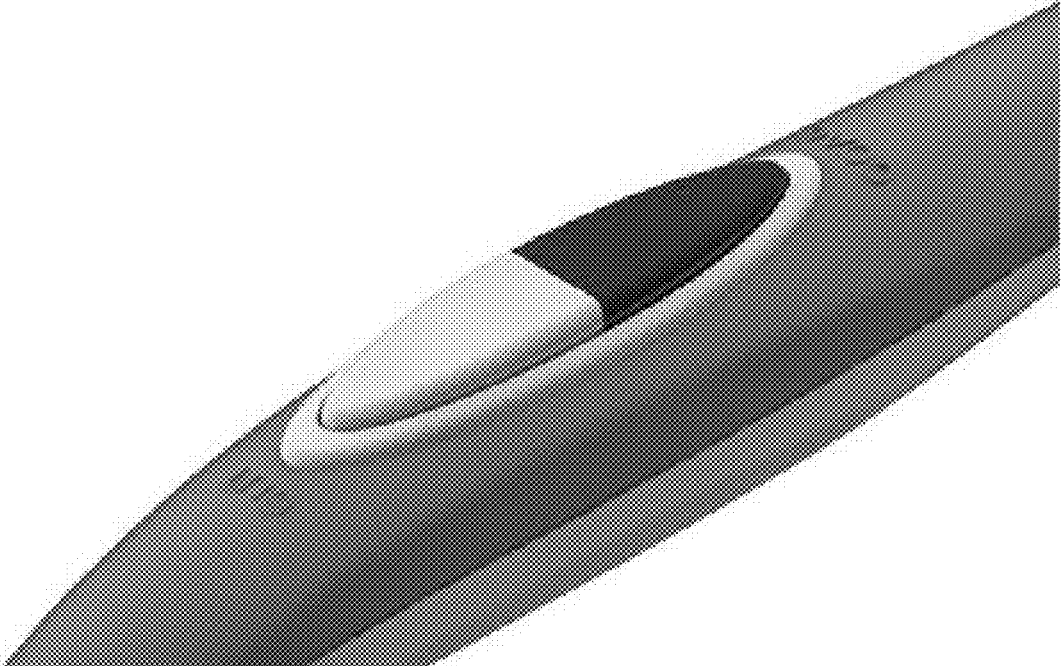


FIG. 10



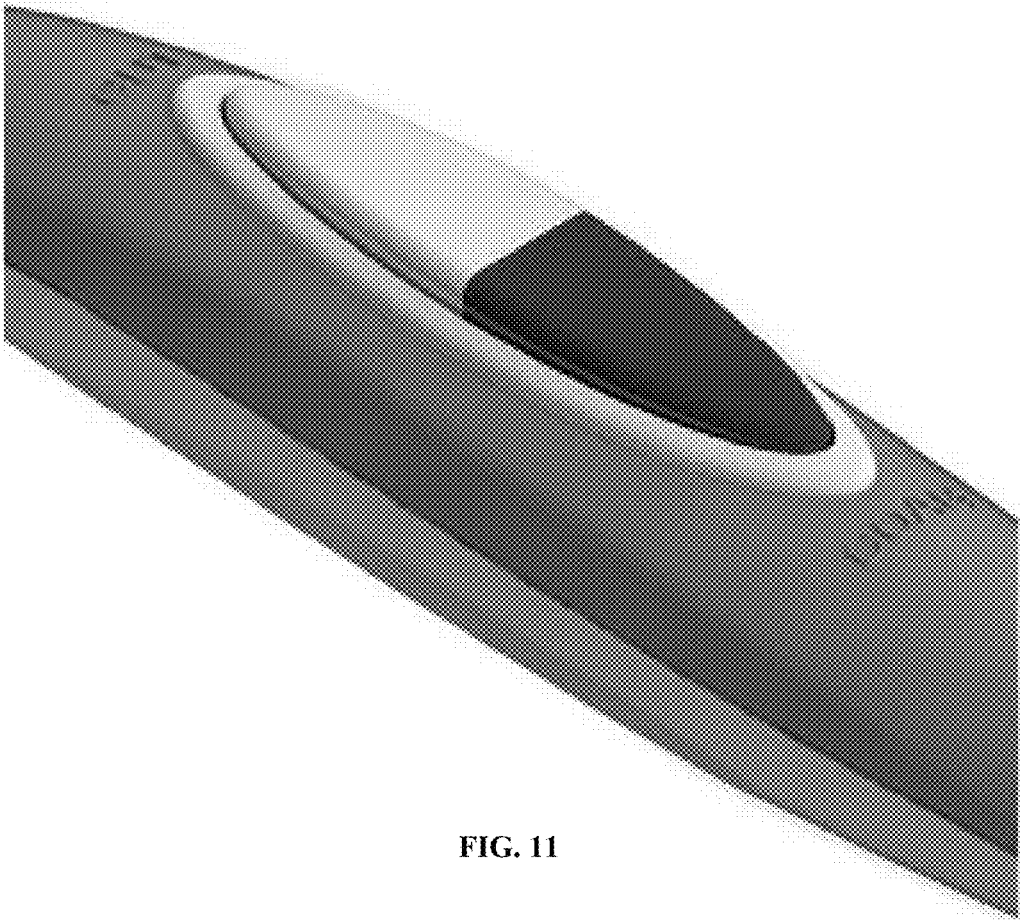


FIG. 11