



US00D999163S

(12) **United States Design Patent**
Liao

(10) **Patent No.:** **US D999,163 S**

(45) **Date of Patent:** **** Sep. 19, 2023**

(54) **WIRELESS CHARGER**

(71) Applicant: **GUANGDONG GOPOD GROUP HOLDING CO., LTD.**, Shenzhen (CN)

(72) Inventor: **Zhuowen Liao**, Shenzhen (CN)

(73) Assignee: **GUANGDONG GOPOD GROUP HOLDING CO., LTD.**, Shenzhen (CN)

(**) Term: **15 Years**

(21) Appl. No.: **29/785,375**

(22) Filed: **May 25, 2021**

(30) **Foreign Application Priority Data**

Jan. 11, 2021 (CN) 202130015621.8

(51) **LOC (14) Cl.** **13-02**

(52) **U.S. Cl.**
USPC **D13/108**

(58) **Field of Classification Search**

USPC D13/103, 107, 108, 118, 119, 184, 199;
D14/251, 252, 432, 433, 434, 439, 447
CPC H02J 7/0044; H02J 7/0045; H04B 1/3877
See application file for complete search history.

(56) **References Cited**

U.S. PATENT DOCUMENTS

D762,650 S *	8/2016	Dang	D14/434
D857,626 S *	8/2019	Zhang	D13/108
D872,726 S *	1/2020	Lindof	D13/108
D884,622 S *	5/2020	Huang	D13/108
D928,702 S *	8/2021	Liao	D13/108
D935,400 S *	11/2021	Zhang	D13/108
D942,389 S *	2/2022	Sun	D13/108
D957,329 S *	7/2022	Turksu	D13/108
D967,764 S *	10/2022	Jiang	D13/103
D971,137 S *	11/2022	Lai	D13/108

2016/0261139 A1*	9/2016	Kidakarn	H02J 7/0044
2021/0273494 A1*	9/2021	Peek	H02J 7/0042
2022/0393498 A1*	12/2022	Zhu	H02J 7/342

OTHER PUBLICATIONS

“Satechi Wireless Charging Stand”. Found online Feb. 21, 2023 at amazon.com. Reference dated Nov. 12, 2021. Retrieved from https://www.amazon.com/Satechi-Magnetic-Wireless-Charging-Stand/dp/B09LRKZ4BN. (Year: 2021).*

(Continued)

Primary Examiner — Kendra Leslie Hamilton

Assistant Examiner — Amanda Christensen

(57) **CLAIM**

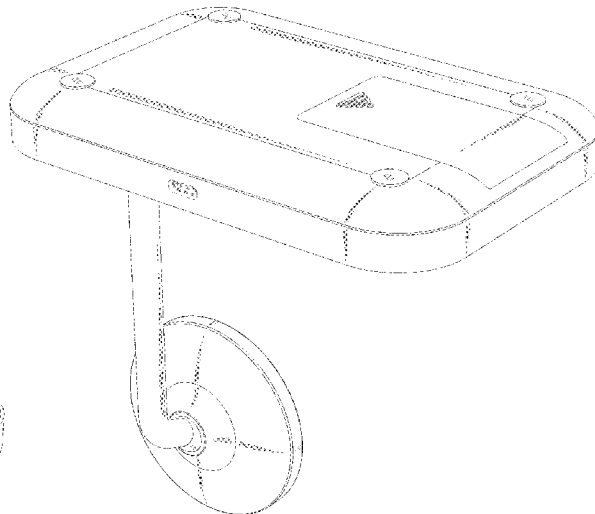
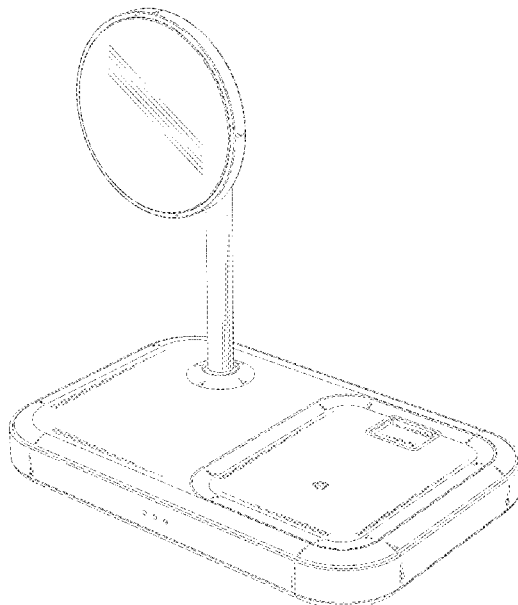
The ornamental design for a wireless charger, as shown and described.

DESCRIPTION

FIG. 1 is a first perspective view of a wireless charger showing my new design;
FIG. 2 is a second perspective view thereof;
FIG. 3 is a third perspective view thereof;
FIG. 4 is a front elevational view thereof;
FIG. 5 is a rear elevational view thereof;
FIG. 6 is a left elevational side view thereof;
FIG. 7 is a right elevational side view thereof;
FIG. 8 is a top plan view thereof;
FIG. 9 is a bottom plan view thereof;
FIG. 10 is a fourth perspective view of the wireless charger showing a use state; and,
FIG. 11 is a fifth perspective view of the wireless charger showing another use state.

The broken lines in the figures depict portions of the wireless charger that form no part of the claimed design.

1 Claim, 11 Drawing Sheets



(56)

References Cited

OTHER PUBLICATIONS

“Gopod Wireless Charging Pad”. Found online Feb. 10, 2021 at gopod.cc.com. Reference dated Feb. 10, 2021. Retrieved from http://www.gopod.cc/Wireless_Charger/2020/0822/260.html. (Year: 2021).*

“Dual Wireless Charging Pad and Watch Charger Station”. Found online Feb. 10, 2021 at amazon.com. Reference dated Oct. 17, 2018. Retrieved from https://www.amazon.com/gp/product/B07GK676V5/ref=as_li_qf_asin_il_tl. (Year: 2018).*

* cited by examiner

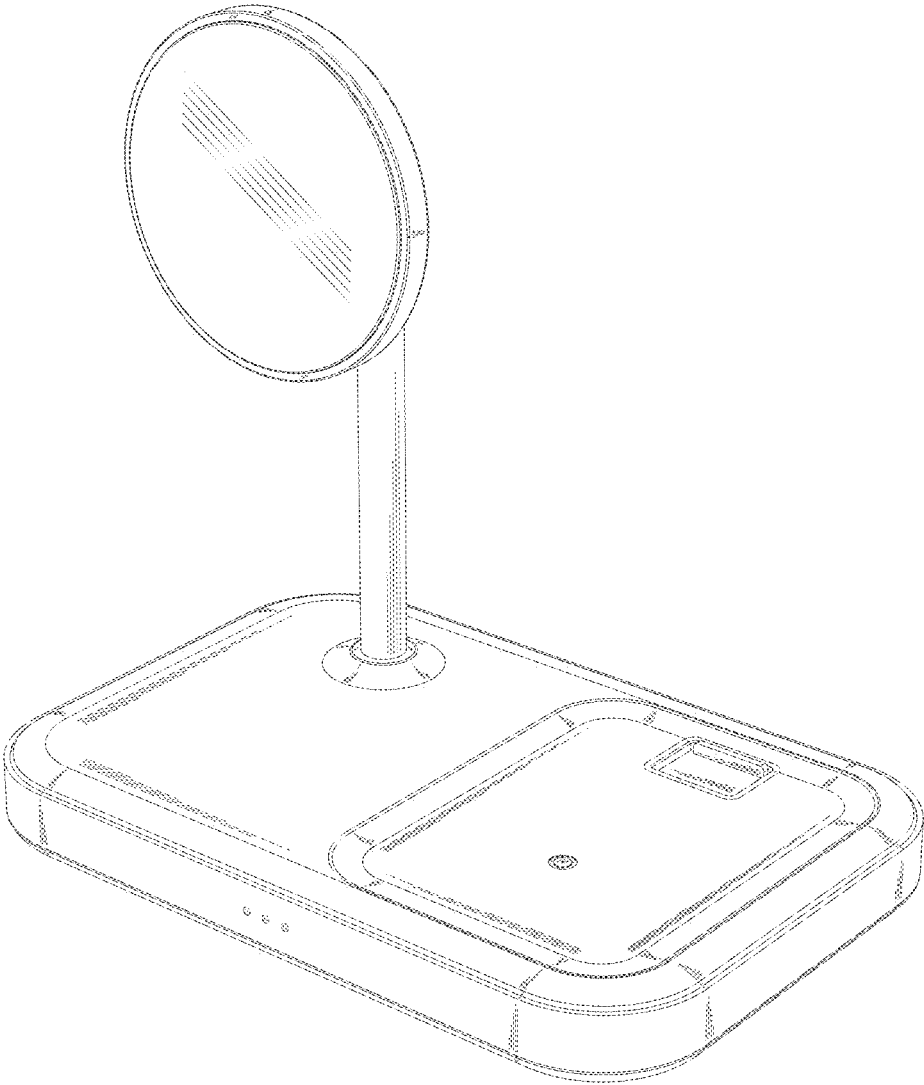


FIG.1

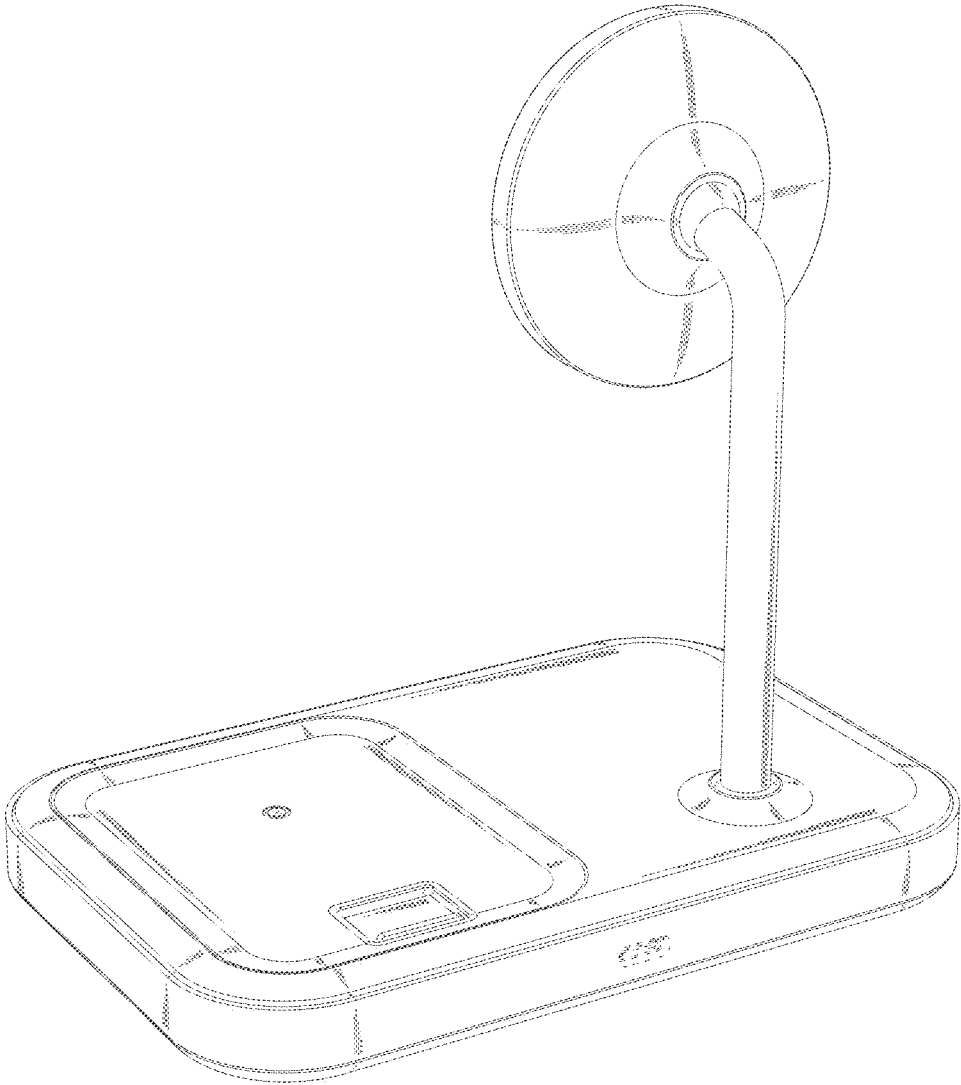


FIG.2

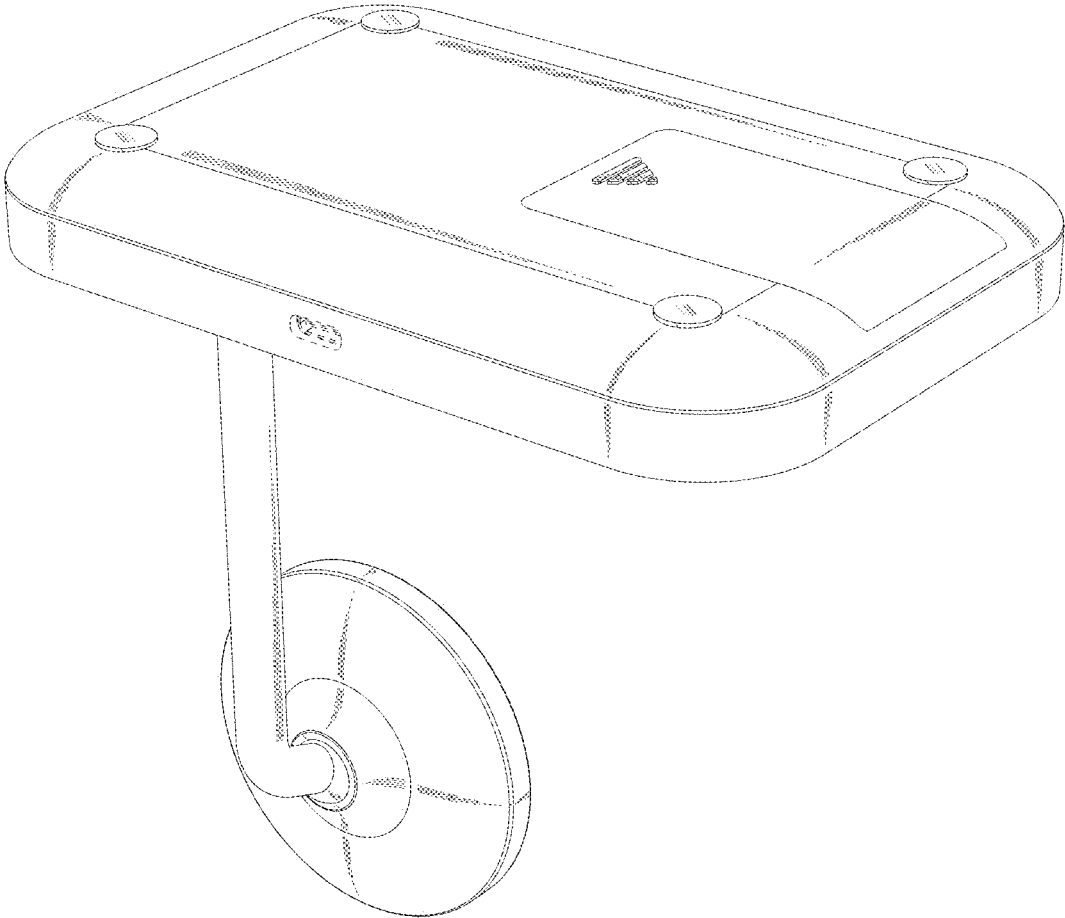


FIG.3

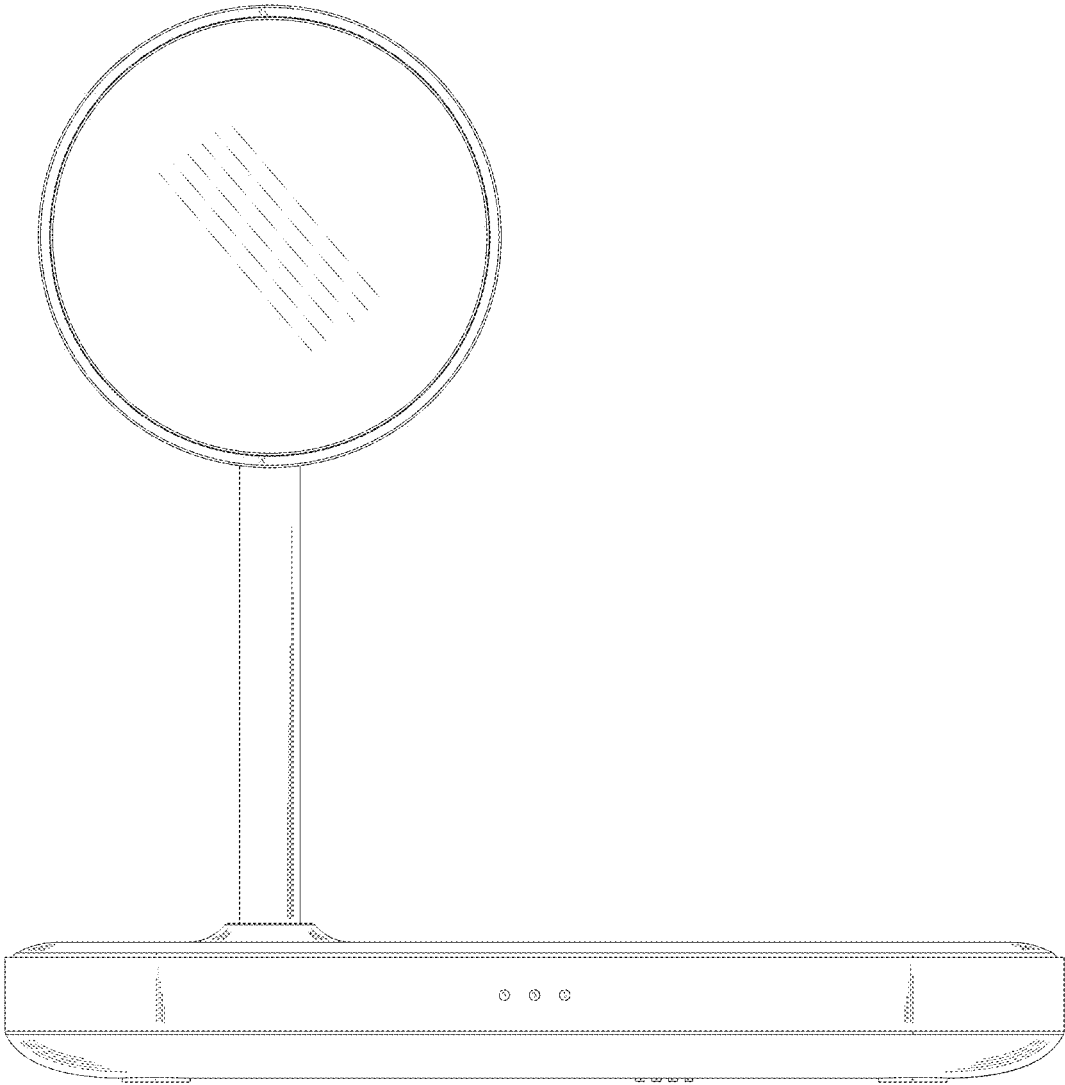


FIG.4

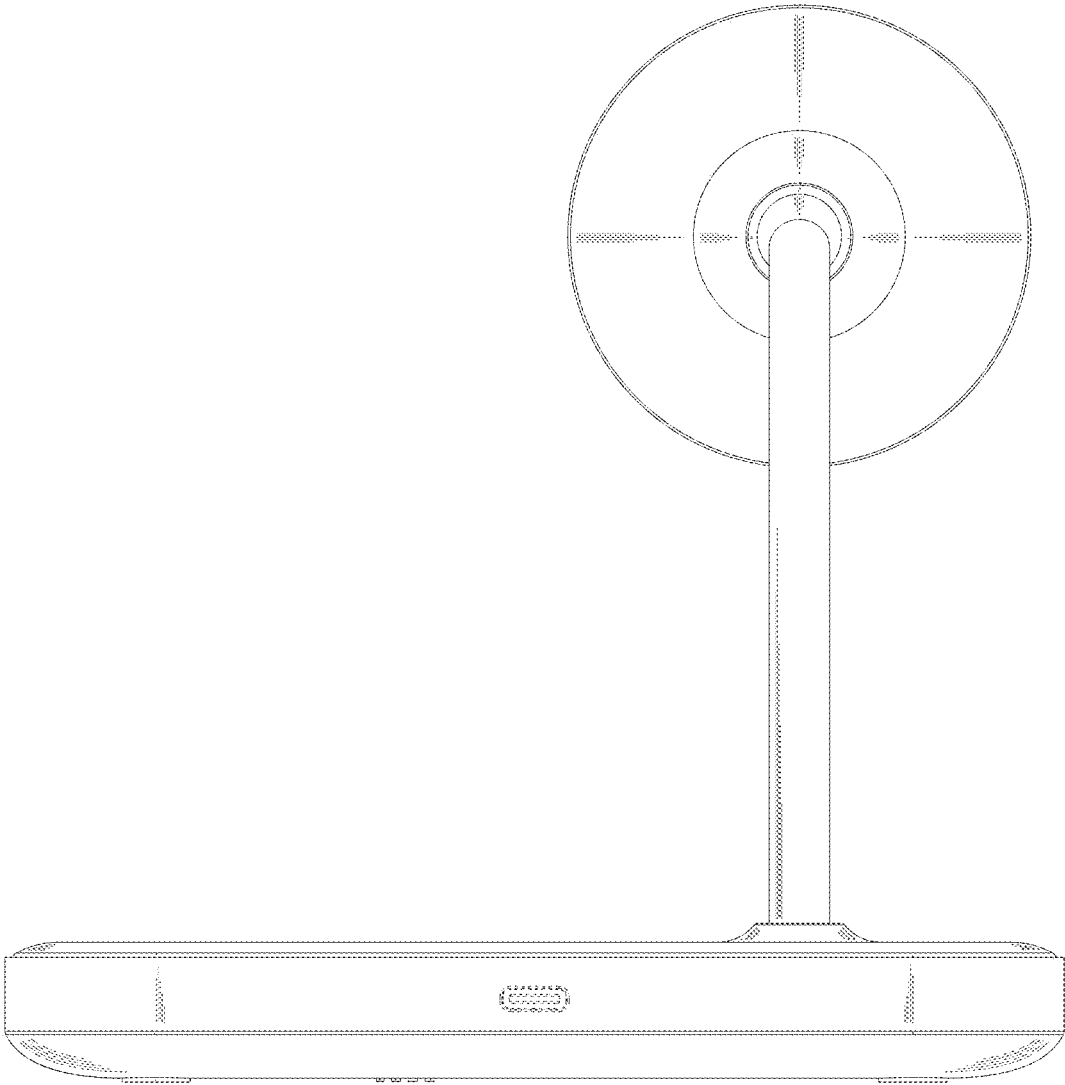


FIG. 5

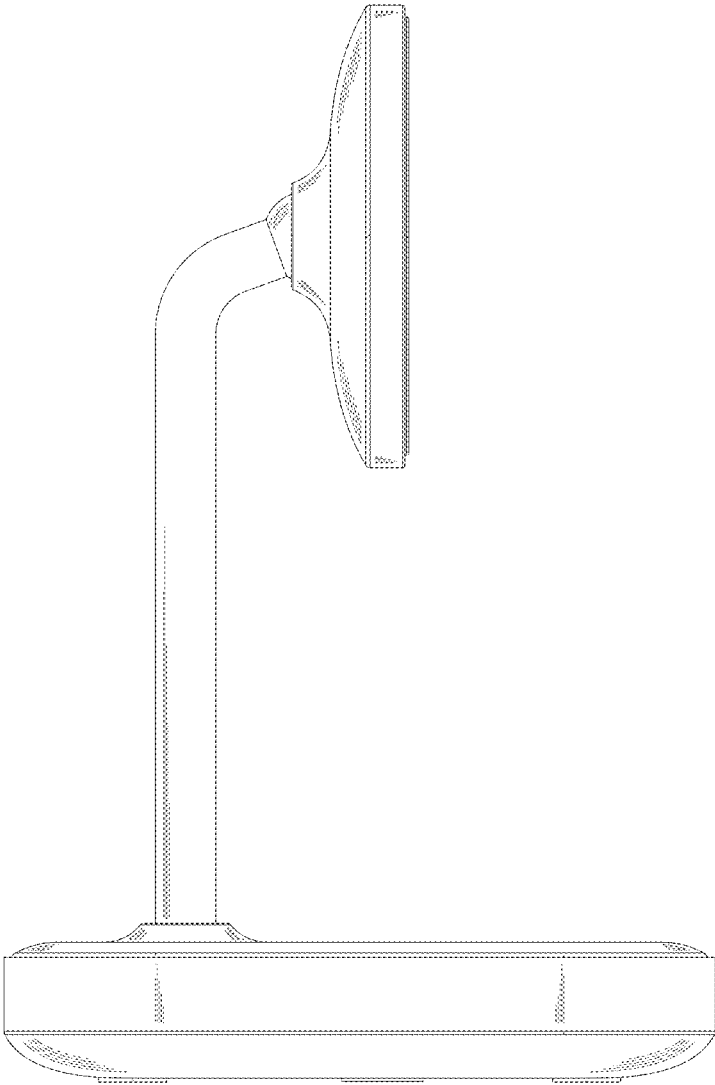


FIG. 6

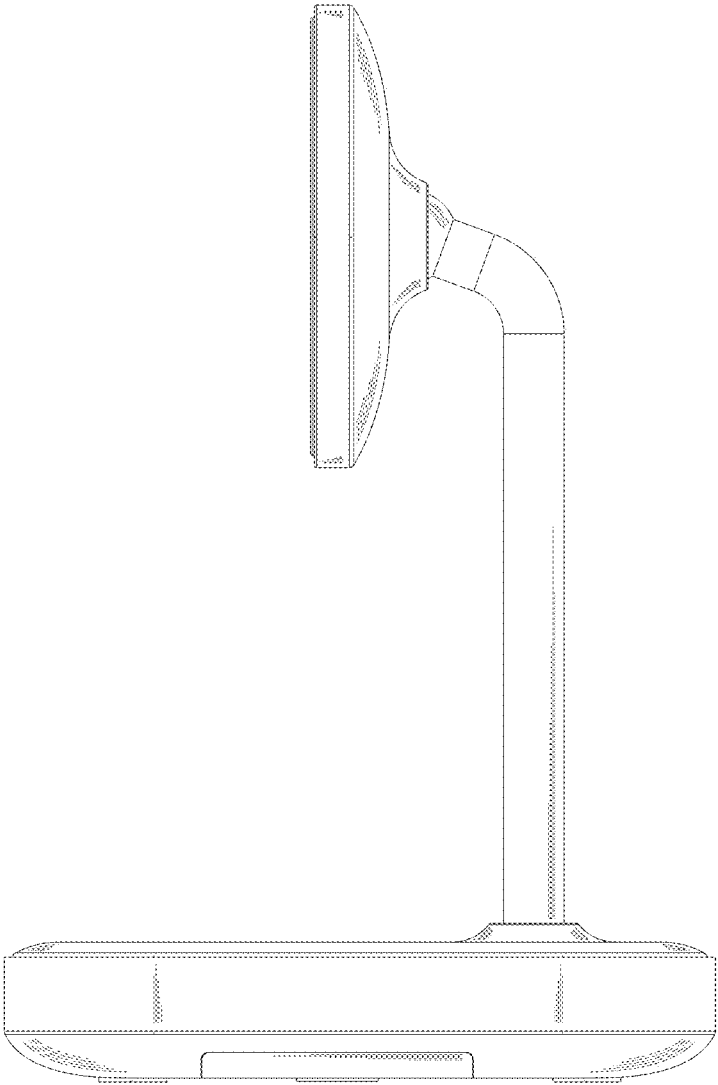


FIG. 7

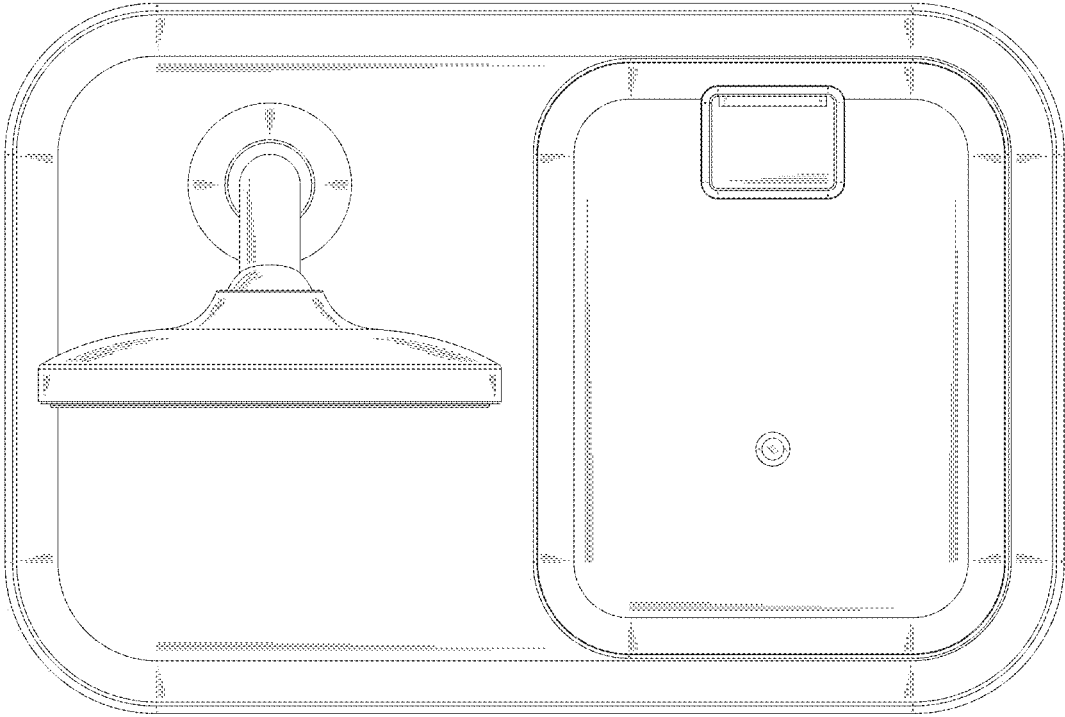


FIG.8

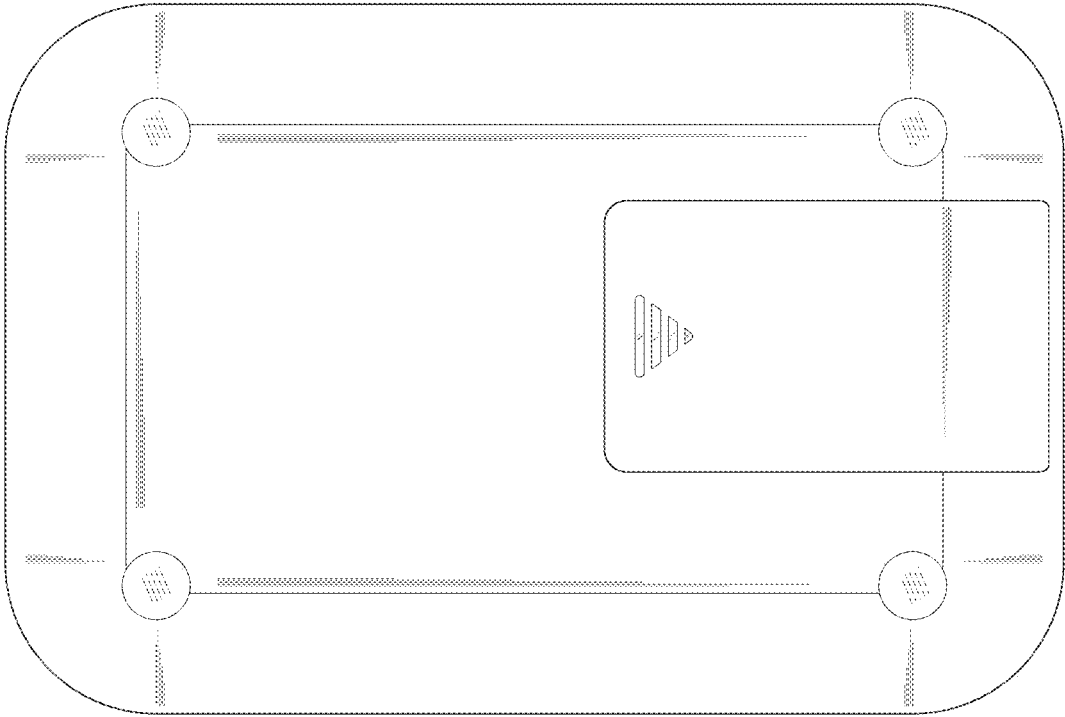


FIG.9

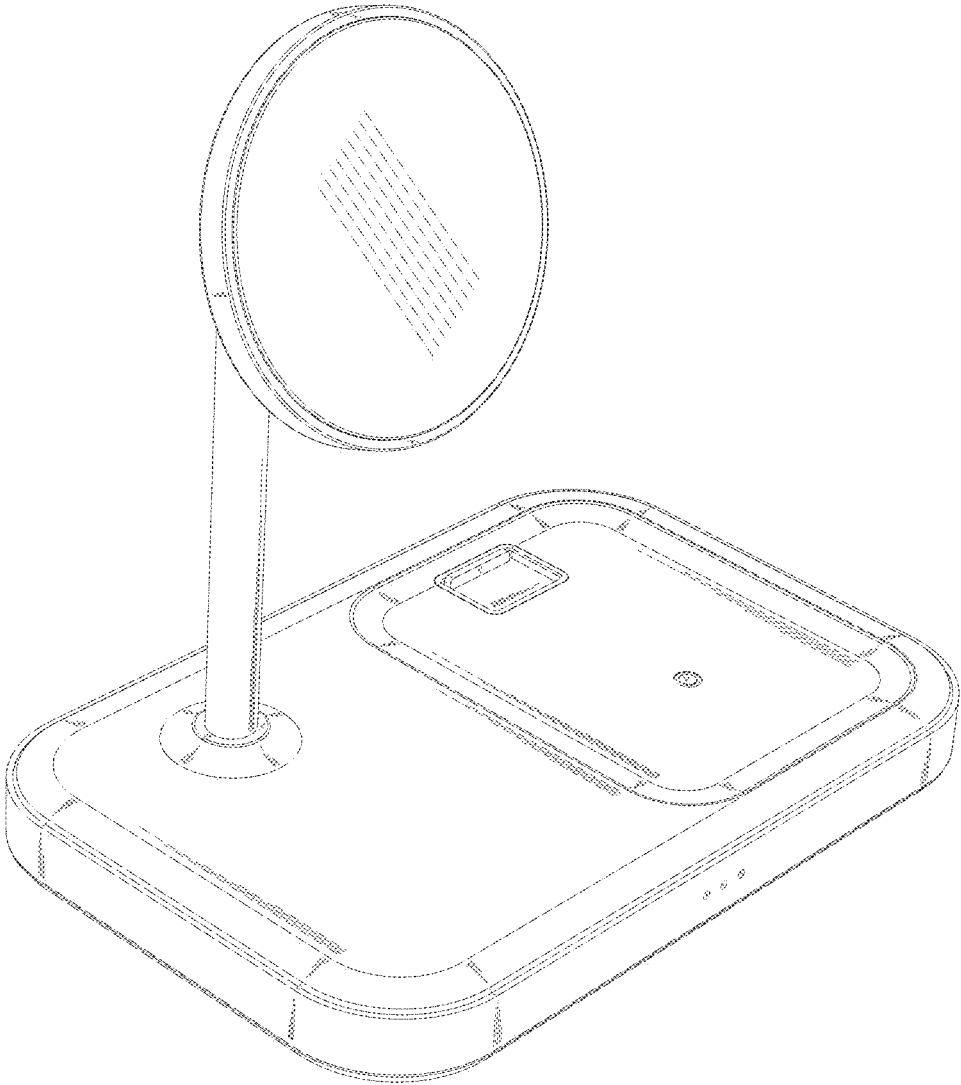


FIG.10

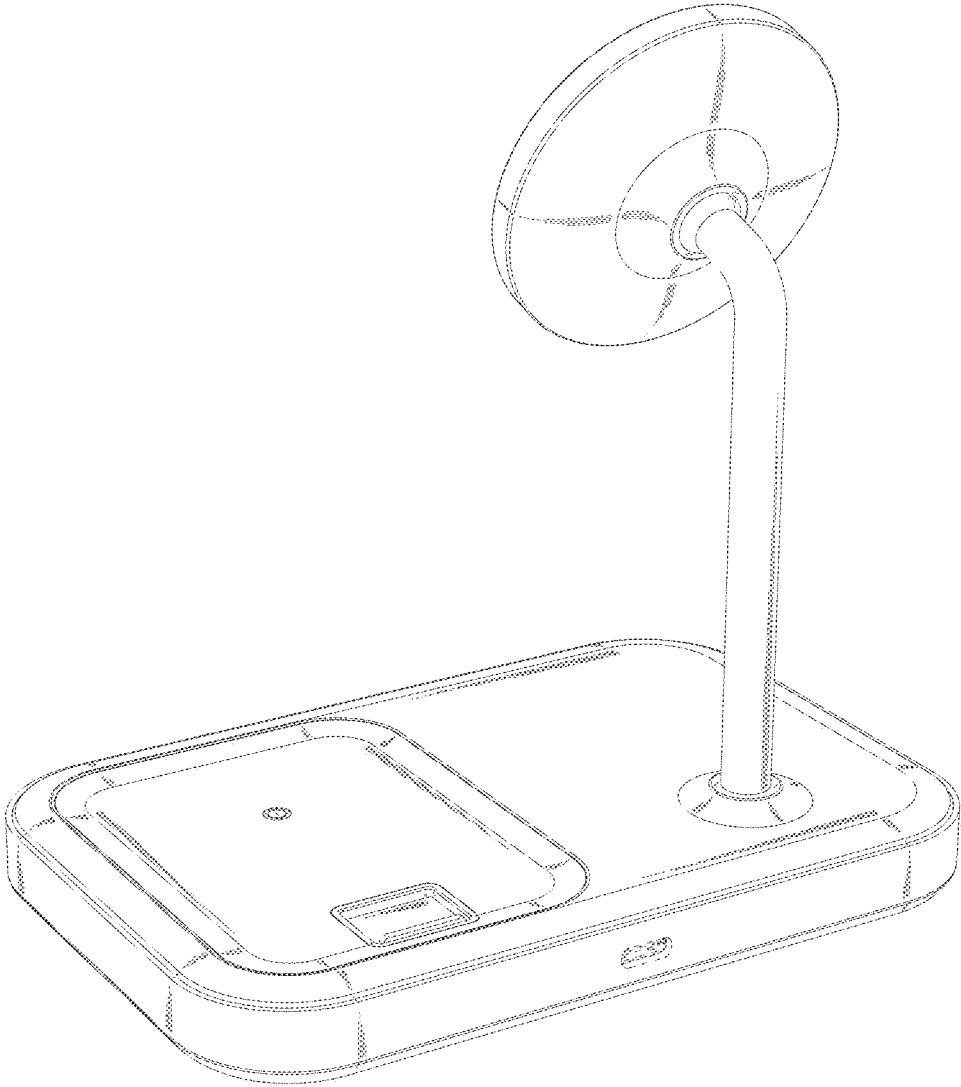


FIG.11