



US00D349259S

United States Patent [19]

[11] Patent Number: **Des. 349,259**

Adam

[45] Date of Patent: **** Aug. 2, 1994**

[54] **CHRISTMAS TREE STAND**

FOREIGN PATENT DOCUMENTS

[76] Inventor: **Daniel Adam**, 15 L'Oree des Bois, Ste Catherine J.C., Quebec, Canada, GOA 3M0

2911914 9/1992 Canada .

Primary Examiner—Bernard Ansher
Assistant Examiner—Dominic Simone

[**] Term: **14 Years**

[57] CLAIM

[21] Appl. No.: **845,434**

The ornamental design for a Christmas-tree stand, as shown and described.

[22] Filed: **Mar. 2, 1992**

DESCRIPTION

[52] U.S. Cl. **D11/130.1**

[58] Field of Search 47/40.5; 248/511, 519, 248/523, 524, 527; D11/130.1

FIG. 1 is a perspective of a Christmas-tree stand showing my new design;

FIG. 2 is a top plan view thereof;

FIG. 3 is a right side view thereof, the left side being a mirror image;

FIG. 4 is a front elevational view thereof;

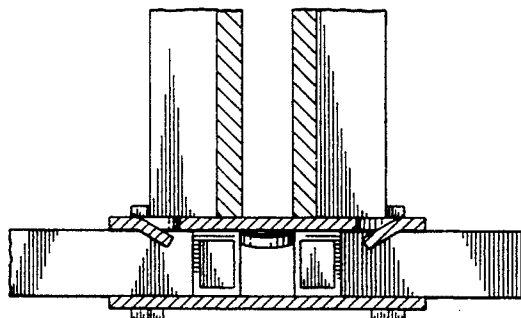
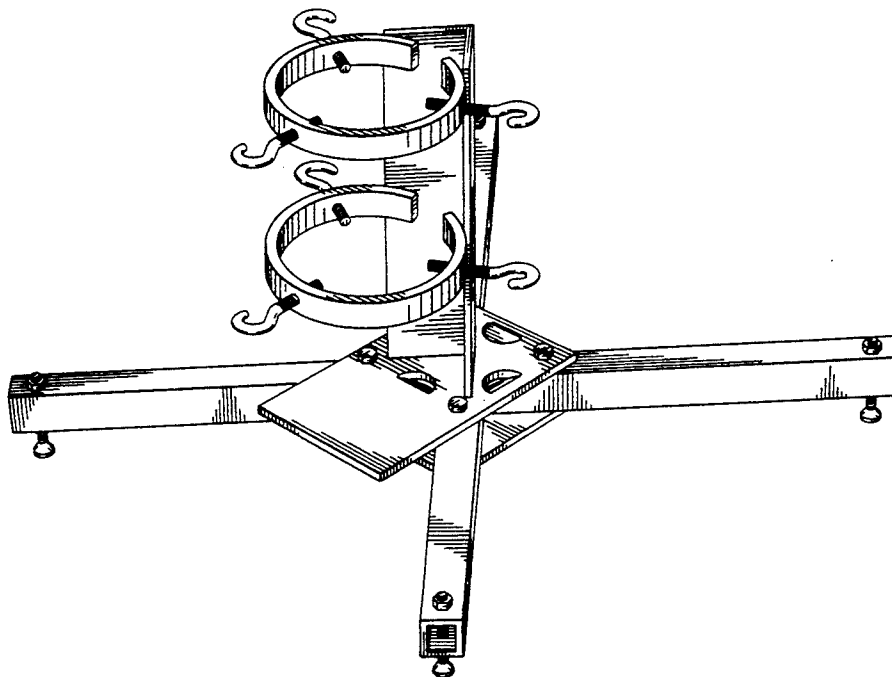
FIG. 5 is a cross-sectional view thereof view, taken in the direction of the arrows along line 5—5 of FIG. 3; and,

FIG. 6 is a cross-sectional view thereof, taken in the direction of the arrows along line 6—6 of FIG. 5.

[56] References Cited

U.S. PATENT DOCUMENTS

2,500,215	3/1950	Swearingen	47/40.5
3,119,585	1/1964	Austenson	47/40.5
4,569,151	2/1986	Hoffbeck	47/405
5,090,655	2/1992	Bisson	248/523
5,137,246	8/1992	Idso	248/523



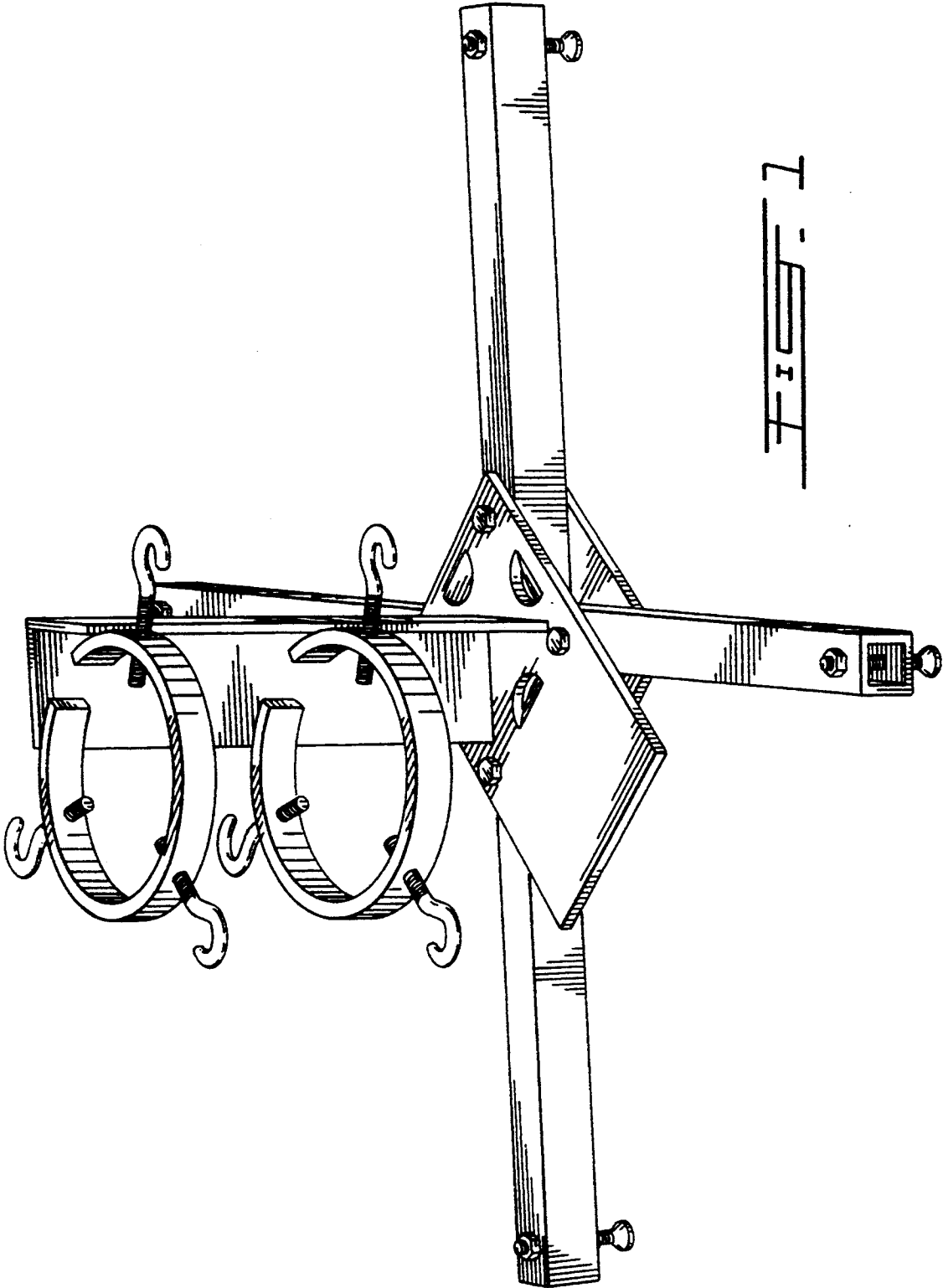


FIG. 1

