



US00D974938S

(12) **United States Design Patent** (10) **Patent No.:** **US D974,938 S**
Lafloque (45) **Date of Patent:** **** Jan. 10, 2023**

(54) **LUMINOUS WARNING DEVICE FOR VEHICLES**

(71) Applicant: **Gérôme Lafloque**, Paris (FR)

(72) Inventor: **Gérôme Lafloque**, Paris (FR)

(**) Term: **15 Years**

(21) Appl. No.: **35/512,703**

(22) Filed: **Sep. 6, 2021**

(80) **Hague Agreement Data**

Int. Filing Date: **Sep. 6, 2021**

Int. Reg. No.: **DM/216578**

Int. Reg. Date: **Sep. 6, 2021**

Int. Reg. Pub. Date: **Oct. 8, 2021**

(51) **LOC (14) Cl.** **10-05**

(52) **U.S. Cl.** **D10/109.2**

(58) **Field of Classification Search**

USPC D10/104.1, 109.1, 109.2, 114.1, 114.2;
D13/168; D26/37, 63

CPC ... C09J 7/20; B60Q 7/00; H01H 13/83; A44C
15/0015

See application file for complete search history.

(56) **References Cited**

U.S. PATENT DOCUMENTS

D242,780	S	*	12/1976	Kelley	D26/39
5,239,450	A	*	8/1993	Wall	A44C 15/0015 362/104
D343,019	S	*	1/1994	Garrity	D26/37
D414,128	S	*	9/1999	Toyota	D10/104.1
D519,870	S	*	5/2006	Pritchard	D10/109.1
D581,572	S	*	11/2008	Levine	D26/63
D663,639	S	*	7/2012	Saikawa	D13/174
D663,640	S	*	7/2012	Saikawa	D13/174
D663,641	S	*	7/2012	Saikawa	D13/174
D663,643	S	*	7/2012	Saikawa	D13/174

D669,805	S	*	10/2012	Edwards	B60Q 7/00 D10/114.1
D701,785	S	*	4/2014	Saikawa	D10/108
D702,577	S	*	4/2014	Saikawa	D10/108
D746,166	S	*	12/2015	Li	D10/104.1
D755,657	S	*	5/2016	Xu	D10/104.1
D774,936	S	*	12/2016	O'Neil	D10/104.1
D796,434	S	*	9/2017	Li	D13/108
D812,577	S	*	3/2018	Turksu	D10/104.1
D826,938	S	*	8/2018	Son	D14/388
D845,931	S	*	4/2019	Kosuge	D14/218
D906,848	S	*	1/2021	Yoo	C09J 7/20 D20/11
D906,849	S	*	1/2021	Yoo	D20/11
2012/0080296	A1	*	4/2012	Schechtel	H01H 13/83 200/310

* cited by examiner

Primary Examiner — George D. Kirschbaum

(57) **CLAIM**

The ornamental design for a luminous warning device for vehicles, as shown and described.

DESCRIPTION

The patent or application file contains at least one drawing executed in color. Copies of this patent or patent application publication with color drawing(s) will be provided by the Office upon request and payment of the necessary fee.

1. Luminous warning device for vehicles

1.1 : Front

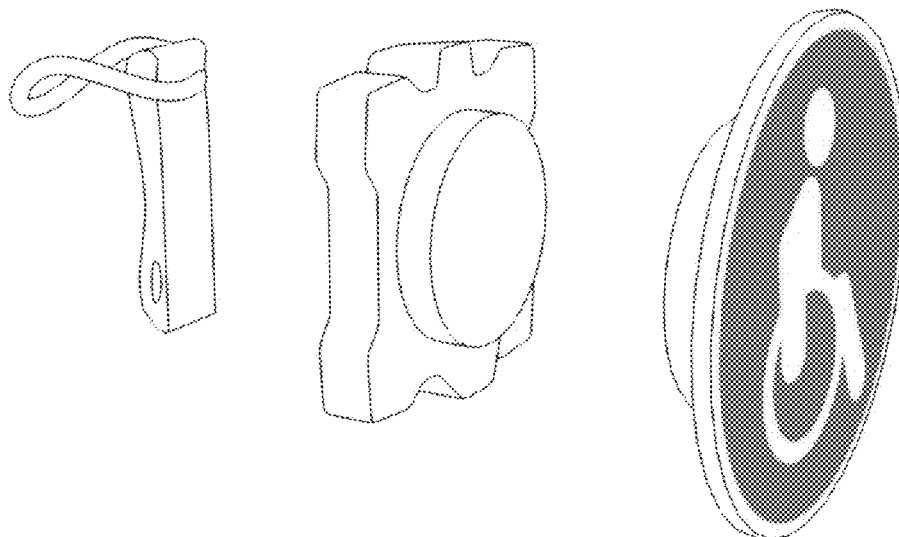
1.2 : Profile

1.3 : Exploded view

1.4 : Exploded view

It is a luminous signaling device (warning device), which takes the form of a badge featuring the mobility-impairment sign, intended for people with disabilities, people with non-visible disabilities; It is designed for those who use public roads by bicycle, car, motor scooter, motorcycle, scooter, etc.

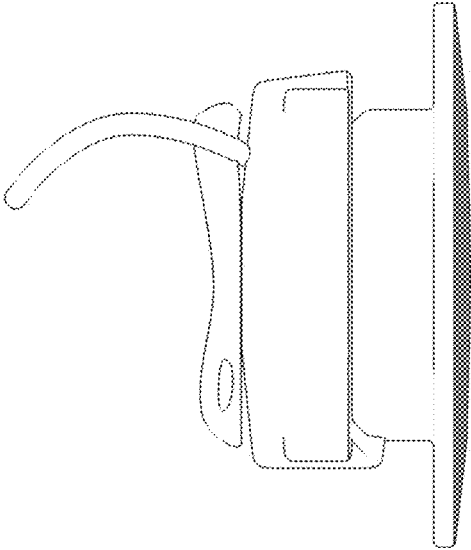
1 Claim, 4 Drawing Sheets
(4 of 4 Drawing Sheet(s) Filed in Color)



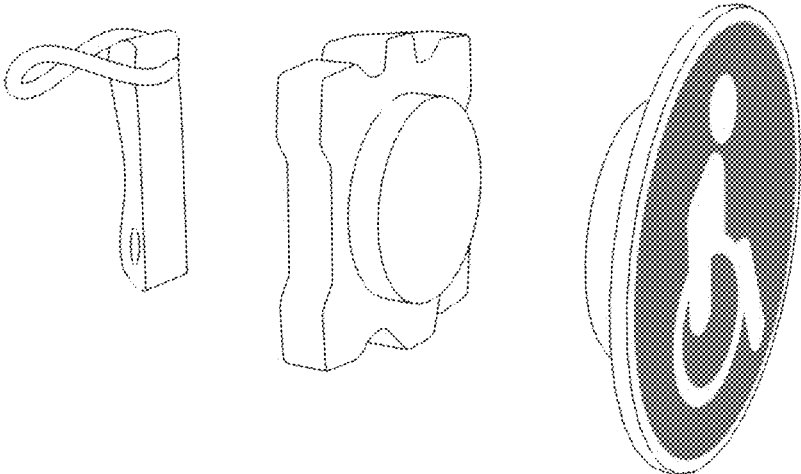
1.1



1.2



1.3



1.4

