



US00D387416S

United States Patent [19]
Chin

[11] **Patent Number:** **Des. 387,416**

[45] **Date of Patent:** ****Dec. 9, 1997**

[54] **FAUCET**
[76] **Inventor:** **Ming-hua Chin**, 5F-23, 70, Fu-Shing Road, Taoyuan, Taiwan
[**] **Term:** **14 Years**
[21] **Appl. No.:** **58,069**
[22] **Filed:** **Aug. 7, 1996**
[51] **LOC (6) CL** **23-01**
[52] **U.S. Cl.** **D23/241**
[58] **Field of Search** **D23/238-243,**
D23/255-258; 4/675-678; 137/801

D. 290,492 6/1987 Gil et al. D23/238
4,804,010 2/1989 Meissenberg 4/675 X

Primary Examiner—Stella Reid
Assistant Examiner—Eric Watterson
Attorney, Agent, or Firm—Bacon & Thomas

[57] **CLAIM**

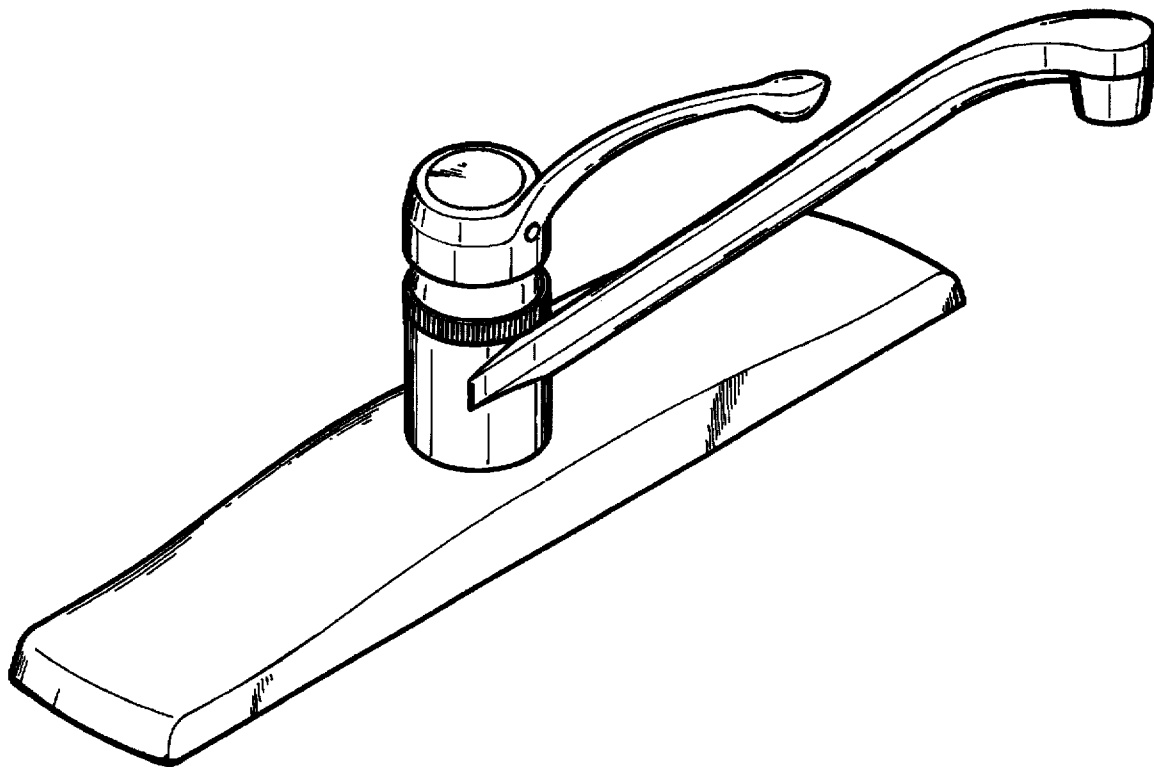
The ornamental design for a faucet, as shown.

DESCRIPTION

FIG. 1 is a perspective view of a faucet showing my design;
FIG. 2 is a front elevational view thereof;
FIG. 3 is a rear elevational view thereof;
FIG. 4 is a left side elevational view thereof;
FIG. 5 is a right side elevational view thereof;
FIG. 6 is a top plan view thereof; and,
FIG. 7 is a bottom plan view thereof.

[56] **References Cited**
U.S. PATENT DOCUMENTS
D. 203,246 12/1965 Harvey et al. D23/238
D. 219,779 1/1971 Tiller D23/238

1 Claim, 5 Drawing Sheets



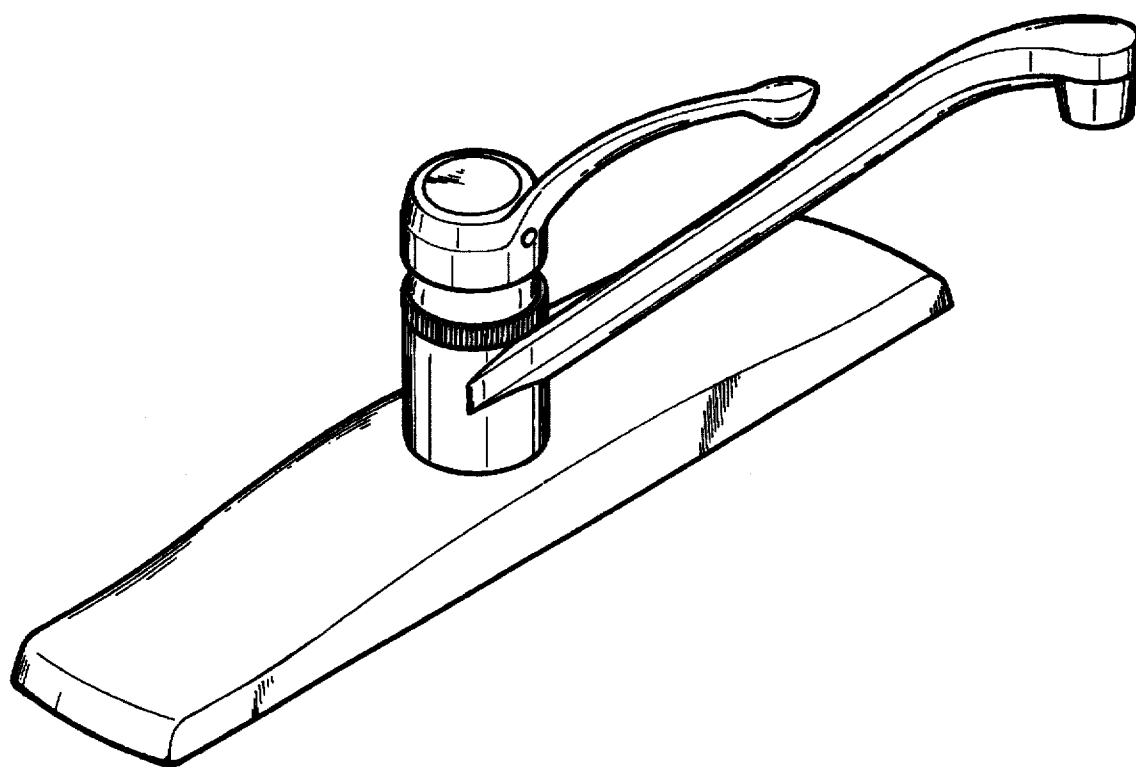


FIG. 1

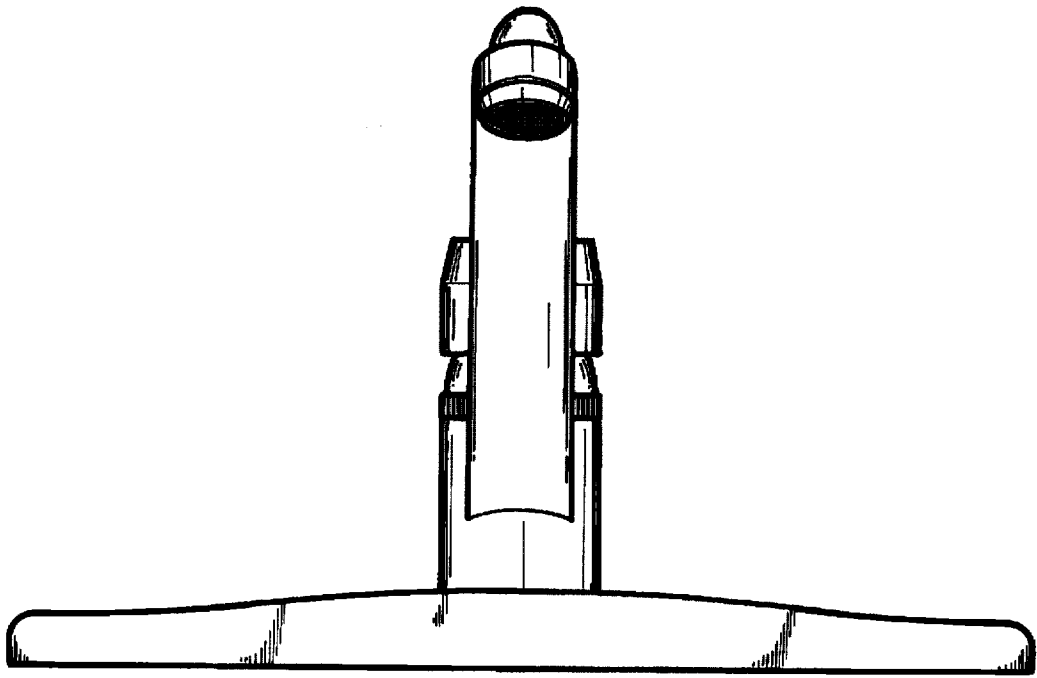


FIG. 2

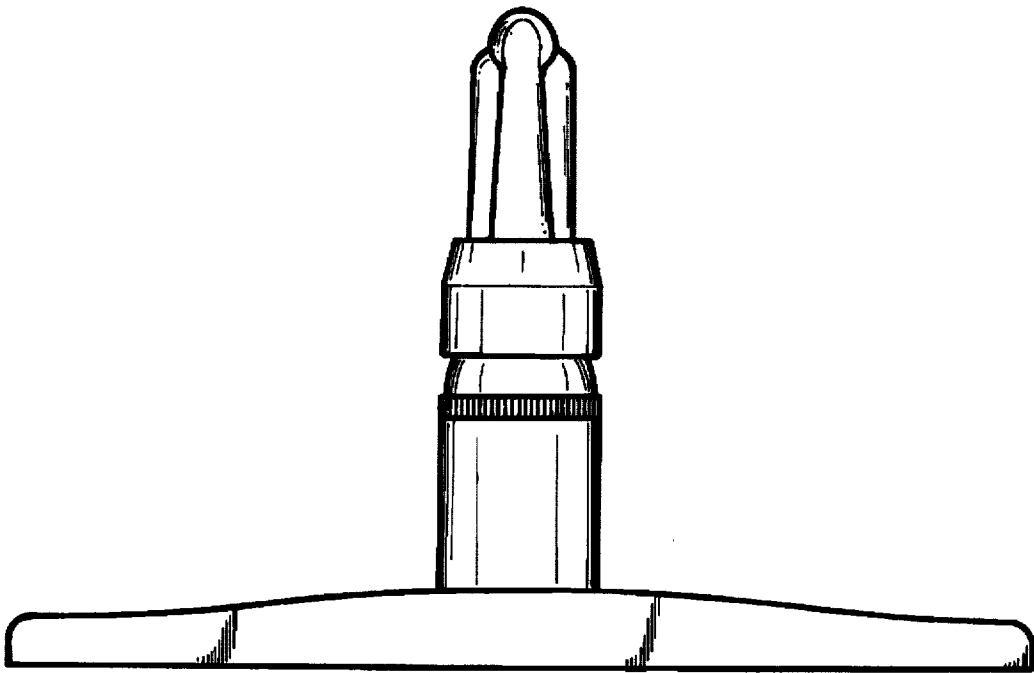


FIG. 3

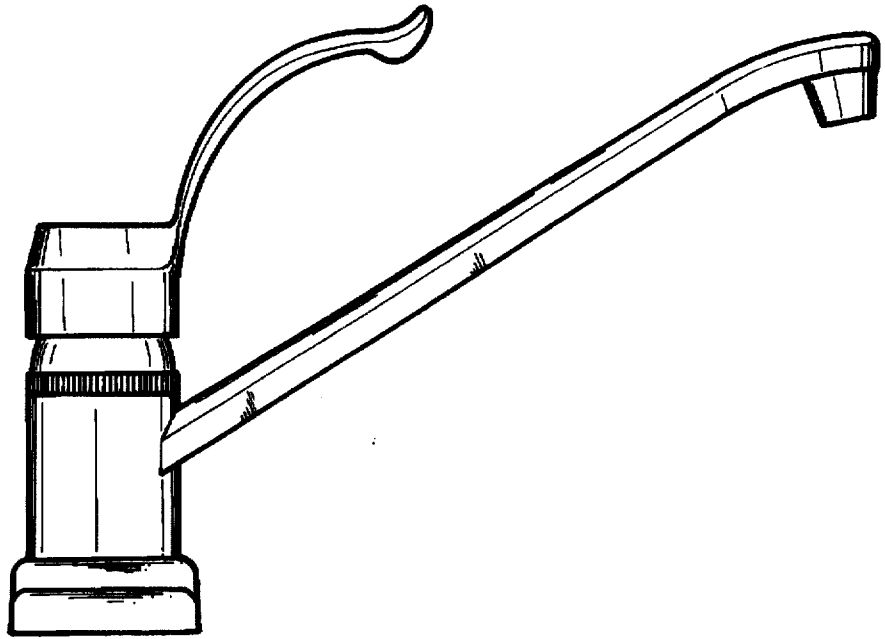


FIG. 4

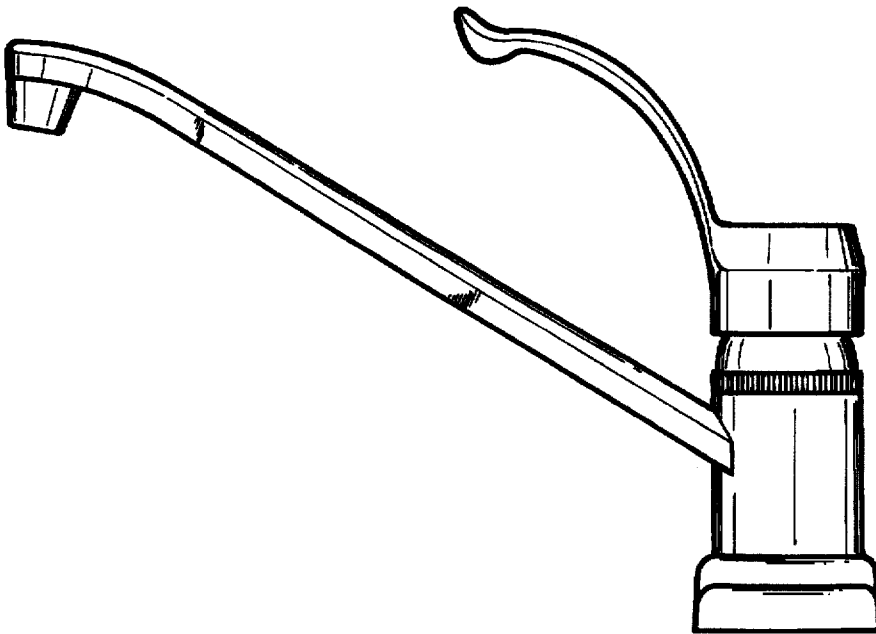


FIG. 5

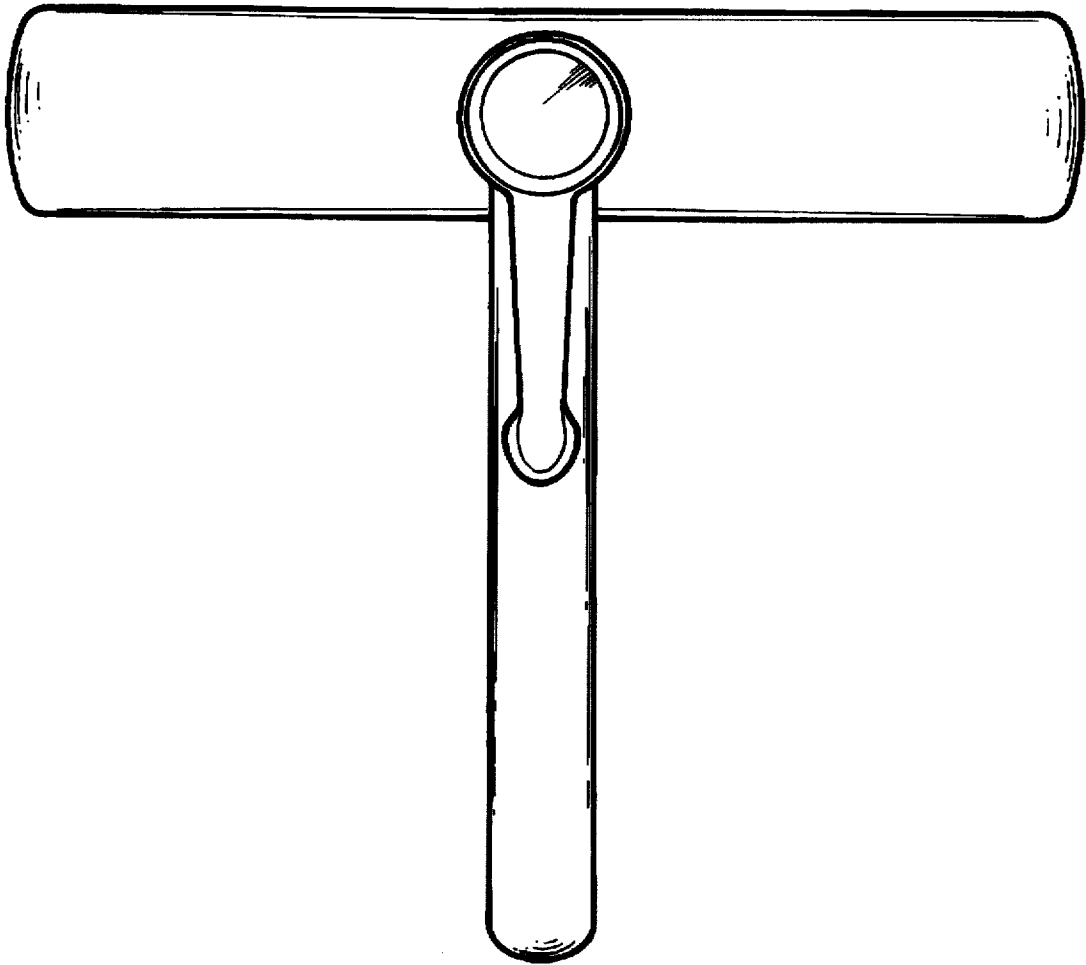


FIG. 6

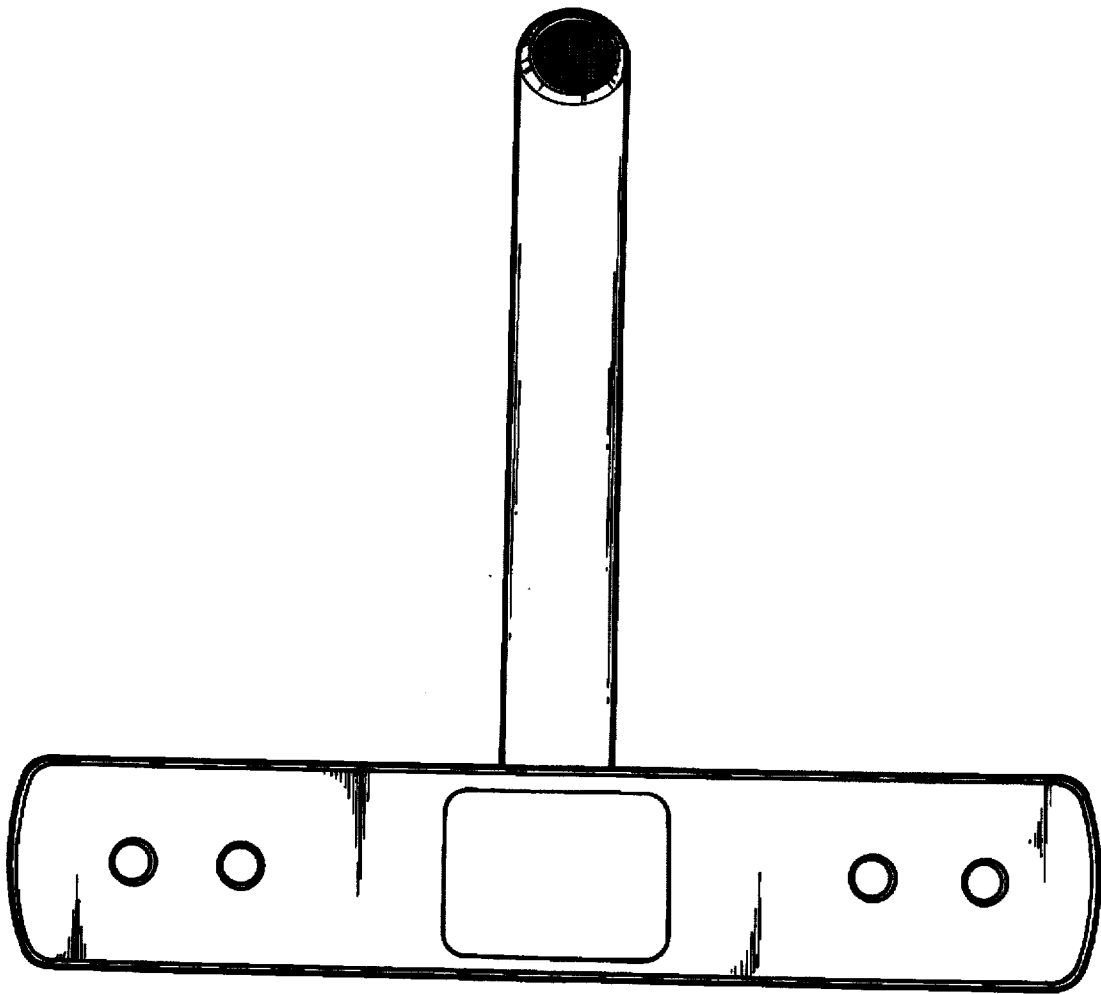


FIG. 7