

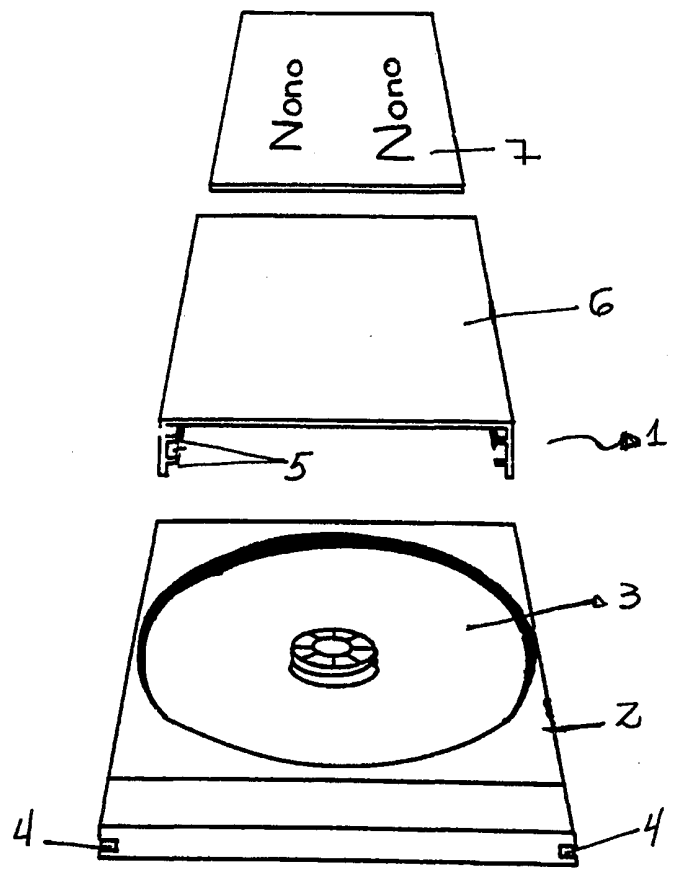


INTERNATIONAL APPLICATION PUBLISHED UNDER THE PATENT COOPERATION TREATY (PCT)

<p>(51) International Patent Classification ⁶ : G11B 23/03, 23/033, 23/00, B65D 85/57</p>	<p>A1</p>	<p>(11) International Publication Number: WO 99/08275 (43) International Publication Date: 18 February 1999 (18.02.99)</p>
<p>(21) International Application Number: PCT/BR97/00047 (22) International Filing Date: 12 September 1997 (12.09.97) (30) Priority Data: MU 7700953-3 4 August 1997 (04.08.97) BR (71)(72) Applicant and Inventor: FERREIRA DE MELO, João, José [BR/BR]; Rua Dr. Homem de Melo, 1109, CEP-05007-002 São Paulo, SP (BR).</p>	<p>(81) Designated States: CA, JP, US, European patent (AT, BE, CH, DE, DK, ES, FI, FR, GB, GR, IE, IT, LU, MC, NL, PT, SE). Published <i>With international search report.</i></p>	

(54) Title: COMPACT-DISC HOLDER

(57) Abstract
This model refers to an unprecedented presentation of compact-disc holder package, where through an extra protuberance attached to the lid of said package, it is possible to introduce and withdraw the compact-disc which slides in the rail formed by the grooves on the laterals of the disc's base support, allowing for more flexibility and easy handling of packages and of discs, avoiding the constant breakage of packages.



FOR THE PURPOSES OF INFORMATION ONLY

Codes used to identify States party to the PCT on the front pages of pamphlets publishing international applications under the PCT.

AL	Albania	ES	Spain	LS	Lesotho	SI	Slovenia
AM	Armenia	FI	Finland	LT	Lithuania	SK	Slovakia
AT	Austria	FR	France	LU	Luxembourg	SN	Senegal
AU	Australia	GA	Gabon	LV	Latvia	SZ	Swaziland
AZ	Azerbaijan	GB	United Kingdom	MC	Monaco	TD	Chad
BA	Bosnia and Herzegovina	GE	Georgia	MD	Republic of Moldova	TG	Togo
BB	Barbados	GH	Ghana	MG	Madagascar	TJ	Tajikistan
BE	Belgium	GN	Guinea	MK	The former Yugoslav Republic of Macedonia	TM	Turkmenistan
BF	Burkina Faso	GR	Greece	ML	Mali	TR	Turkey
BG	Bulgaria	HU	Hungary	MN	Mongolia	TT	Trinidad and Tobago
BJ	Benin	IE	Ireland	MR	Mauritania	UA	Ukraine
BR	Brazil	IL	Israel	MW	Malawi	UG	Uganda
BY	Belarus	IS	Iceland	MX	Mexico	US	United States of America
CA	Canada	IT	Italy	NE	Niger	UZ	Uzbekistan
CF	Central African Republic	JP	Japan	NL	Netherlands	VN	Viet Nam
CG	Congo	KE	Kenya	NO	Norway	YU	Yugoslavia
CH	Switzerland	KG	Kyrgyzstan	NZ	New Zealand	ZW	Zimbabwe
CI	Côte d'Ivoire	KP	Democratic People's Republic of Korea	PL	Poland		
CM	Cameroon	KR	Republic of Korea	PT	Portugal		
CN	China	KZ	Kazakstan	RO	Romania		
CU	Cuba	LC	Saint Lucia	RU	Russian Federation		
CZ	Czech Republic	LI	Liechtenstein	SD	Sudan		
DE	Germany	LK	Sri Lanka	SE	Sweden		
DK	Denmark	LR	Liberia	SG	Singapore		
EE	Estonia						

1 Title: Compact-disk holder

2
3 DISCLOSURE OF THE MODEL

4 This model refers to an unprecedented apresentation of compact-disc
5 holder package, where trough an extra protuberance attached to the lid of said
6 package, it is possible to introduce and withdraw the compact-disc witch slides
7 in the rail formed by the grooves on the laterals of the disc's base support,
8 allowing for more flexibility and easy handling of packages and of discs,
9 avoiding the constant breakage of packages.

10 Due to the present growth of the phonographic market throughout the
11 world, specially of the compact-disc that has completely replaced the old vinyl
12 disc's, there is a growing demand for compact-disc plastic packages. However,
13 the problem found in the conventional packages is that the lateral pins of the lid
14 fixation, where the constant movement of opening and closing occurs,
15 displaces the lid, forcing said pins, causing their breakage, and rendering the
16 package useless. Another inconvenient, originates from the support or
17 promotional material of the disc's, which was conceived to integrate the disc
18 case, fitting in the package, by means of four round protuberances placed in the
19 internal face of the lid. This causes problems at the moment when the user
20 wants to handle and inspect the information contained in this material, making
21 it's return to the same place very difficult.

22
23 BRIEF DESCRIPTION OF THE DRAWINGS

24 For a perfect visualization of the **"DISPOSITION APPLIED TO**
25 **COMPACT-DISC HOLDER PACKAGE"**, we have attached an illustrative
26 model where you find that:

27 FIGURE 1 - Presents a view in perspective of the mentioned object;

28 FIGURE 2 - Presents a frontal view of the lid of said object;

29 FIGURE 3 - Presents a frontal view of the object's base;

30 FIGURE 4 - Presents a lateral view, in perspective, of this object's base.

31 DETAILED DESCRIPTION OF THE MODEL

32 According to the figure and it's details, the characteristic of the
33 **"DISPOSITION APPLIED TO COMPACT-DISC HOLDER**
34 **PACKAGE"**, is that it is formed by a compact-disc holder package (1),
35 having a base (2) for fixation of the compact-disc (3), with lateral grooves (4)
36 for sliding of the rectilinear double rail (5) of the lid (6), where on the upper
37 rail (5 A) is introduced the cover and information (7), and the lower rail (5 B)
38 slides in the lateral groove of the base (2). To open the package and pull out
39 the disc, you only have to move the lid, horizontally, where the lower rail
40 slides through the base's groove, releasing the case and the disc.

41 Eventually, we may conceive several models similar to the above
42 described model, varying forms, dimensions, materials, and other aspects of

1 assessorial importance. These details though, will be indissolubly linked to this
2 patent's spirit and purpose. For the advantages it offers, and for having truly
3 inovating characteristics this **"DISPOSITION APPLIED TO COMPACT-**
4 **DISC HOLDER PACKAGE"** reunites the necessary condition to deerve the
5 Privilege of Utility Model.

CLAIMS

1
2
3
4
5
6
7
8
9

1 - **“DISPOSITION APPLIED TO COMPACT-DISC HOLDER PACKAGE”**, characterized for a compact-disc holder package (1), having a base (2) for fixation of the compact-disc (3), with lateral grooves (4) for sliding of the rectilinear double rail (5) of the lid (6), where on the upper rail (5 A) is introduced the cover and information (7), and the lower rail (5 B) slides in the lateral groove of the base (2). To open the package and pull out the disc, you only have to move the lid, horizontally, where the lower rail slides through the base's groove, releasing the case and the disc.

1/1

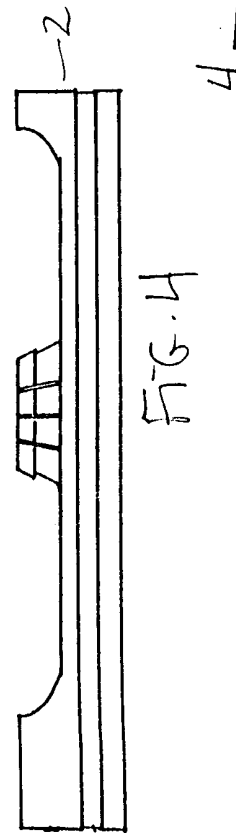
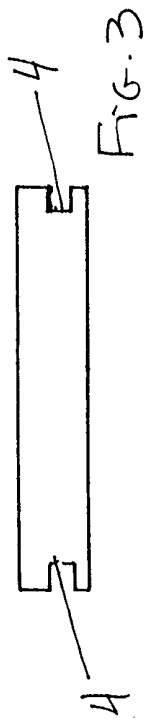
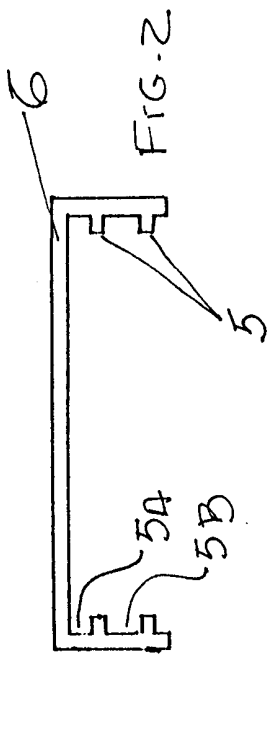
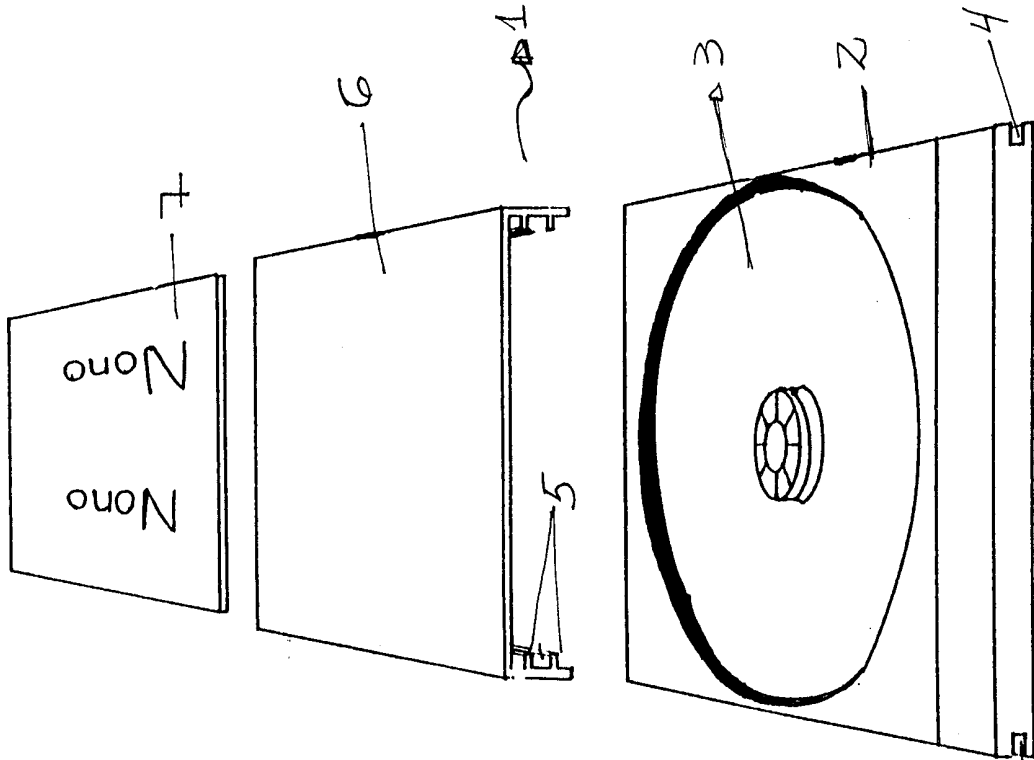


FIG. 1

FIG. 2

FIG. 3

FIG. 4

INTERNATIONAL SEARCH REPORT

International application No.

PCT/BR 97/00047

A. CLASSIFICATION OF SUBJECT MATTER

IPC⁶: G 11 B 23/03,23/033,23/00; B 65 D 85/57

According to International Patent Classification (IPC) or to both national classification and IPC

B. FIELDS SEARCHED

Minimum documentation searched (classification system followed by classification symbols)

IPC⁶: G 11 B 23/00; B 65 D 85/00

Documentation searched other than minimum documentation to the extent that such documents are included in the fields searched

Electronic data base consulted during the international search (name of data base and, where practicable, search terms used)

WPIL

C. DOCUMENTS CONSIDERED TO BE RELEVANT

Category*	Citation of document, with indication, where appropriate, of the relevant passages	Relevant to claim No.
X	US 5 433 319 A (TANG) 18 July 1995 (18.07.95), abstract; fig.2-5; claim 1; column 1, lines 49-61.	1
X	US 5 249 677 A (LIM) 05 October 1993 (05.10.93), fig.1-8; claims 1-4; abstract; column 1, line 48 - column 2, line 47.	1
X	US 5 135 105 A (SCHMEISSER) 04 August 1992 (04.08.92), abstract; fig.8; claims 1-8.	1

 Further documents are listed in the continuation of Box C.
 See patent family annex.

* Special categories of cited documents:

"A" document defining the general state of the art which is not considered to be of particular relevance

"E" earlier document but published on or after the international filing date

"L" document which may throw doubts on priority claim(s) or which is cited to establish the publication date of another citation or other special reason (as specified)

"O" document referring to an oral disclosure, use, exhibition or other means

"P" document published prior to the international filing date but later than the priority date claimed

"T" later document published after the international filing date or priority date and not in conflict with the application but cited to understand the principle or theory underlying the invention

"X" document of particular relevance; the claimed invention cannot be considered novel or cannot be considered to involve an inventive step when the document is taken alone

"Y" document of particular relevance; the claimed invention cannot be considered to involve an inventive step when the document is combined with one or more other such documents, such combination being obvious to a person skilled in the art

"&" document member of the same patent family

Date of the actual completion of the international search

03 April 1998 (03.04.98)

Date of mailing of the international search report

15 April 1998 (15.04.98)

 Name and mailing address of the ISA/AT
 AUSTRIAN PATENT OFFICE
 Kohimarkt 8-10
 A-1014 Vienna
 Facsimile No. 1/53424/535

Authorized officer

Berger

Telephone No. 1/53424/453

INTERNATIONAL SEARCH REPORT
Information on patent family members

International application No.

PCT/BR 97/00047

In Recherchenbericht angeführtes Patentedokument Patent document cited in search report Document de brevet cité dans le rapport de recherche	Datum der Veröffentlichung Publication date Date de publication	Mitglied(er) der Patentfamilie Patent family member(s) Membre(s) de la famille de brevets	Datum der Veröffentlichung Publication date Date de publication
US A 5433319	18-07-95	keine - none - rien	
US A 5249677	05-10-93	DE A1 4332073 DE C2 4332073 FR A1 2710444 FR B1 2710444 GB A1 2281899 NL A 9301616 GB A0 931909B	23-03-95 11-07-96 31-03-95 24-11-95 22-03-95 18-04-95 03-11-93
US A 5135105	04-08-92	keine - none - rien	