



US00D636458S

(12) **United States Design Patent**
Born et al.

(10) **Patent No.:** **US D636,458 S**

(45) **Date of Patent:** **** *Apr. 19, 2011**

(54) **DISPENSER CARTRIDGE**

(56)

References Cited

(75) Inventors: **Jason Alan Born**, Loveland, OH (US);
David James Emmons, Plymouth, MN
(US); **Johannes Nikolai Gaston**,
Minnetonka, MN (US); **Douglas James**
VanOrnum, Minnetonka, MN (US);
Dominic James Daunter, Howell, MI
(US); **Noah Eberhard Dingler**,
Waterford, MI (US)

U.S. PATENT DOCUMENTS

2,188,191 A	1/1940	Roos
2,550,132 A	4/1951	Woods
2,684,787 A	7/1954	Charpiat
2,823,833 A	2/1958	Bauerlein
2,894,377 A	7/1959	Shikles, Jr. et al.
3,240,395 A	3/1966	Carver
3,266,672 A	8/1966	Dean
3,280,591 A	10/1966	Webster
3,292,822 A	12/1966	Crowder et al.
3,299,663 A	1/1967	Butcher
3,312,083 A	4/1967	Scoggins et al.
3,321,097 A	5/1967	Solowey
3,769,977 A	11/1973	Victory
3,784,008 A	1/1974	Troglione
3,974,847 A	8/1976	Hodges
4,173,296 A	11/1979	Marshall
4,196,817 A	4/1980	Moser
4,306,667 A	12/1981	Sedam et al.

(Continued)

(73) Assignee: **The Procter & Gamble Company**,
Cincinnati, OH (US)

(*) Notice: This patent is subject to a terminal dis-
claimer.

(**) Term: **14 Years**

FOREIGN PATENT DOCUMENTS

(21) Appl. No.: **29/354,439**

DE 296 11 611 U1 3/1996

(Continued)

(22) Filed: **Jan. 25, 2010**

Primary Examiner — Robin V Webster

(74) *Attorney, Agent, or Firm* — Cynthia L. Clay; Kim
William Zerby

Related U.S. Application Data

(62) Division of application No. 29/333,732, filed on Mar.
13, 2009, now Pat. No. Des. 611,569, which is a
division of application No. 29/318,924, filed on May
30, 2008, now Pat. No. Des. 591,389, which is a
division of application No. 29/250,520, filed on Nov.
17, 2006, now Pat. No. Des. 592,729.

CLAIM

(57) The ornamental design for a dispenser cartridge, as shown
and described.

(51) **LOC (9) Cl.** **23-01**

(52) **U.S. Cl.** **D23/209**

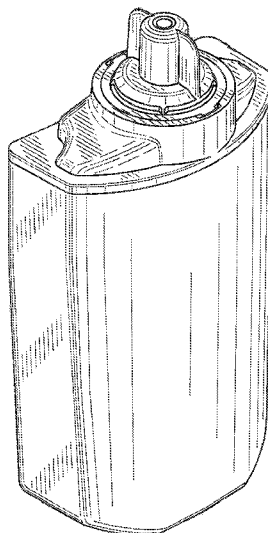
(58) **Field of Classification Search** D23/207,
D23/209; D3/202; 210/85, 198.1, 436-437;
222/189.06

DESCRIPTION

FIG. 1 is a perspective view of a of a dispenser cartridge
illustrating our new design;
FIG. 2 is a front side elevational view of the design of FIG. 1;
FIG. 3 is a back side elevational view of the design of FIG. 1;
FIG. 4 is a left side elevational view of the design of FIG. 1;
FIG. 5 is a right side elevational view of the design of FIG. 1;
FIG. 6 is a top planar view of the design of FIG. 1; and,
FIG. 7 is a bottom planar view of the design of FIG. 1.

See application file for complete search history.

1 Claim, 5 Drawing Sheets



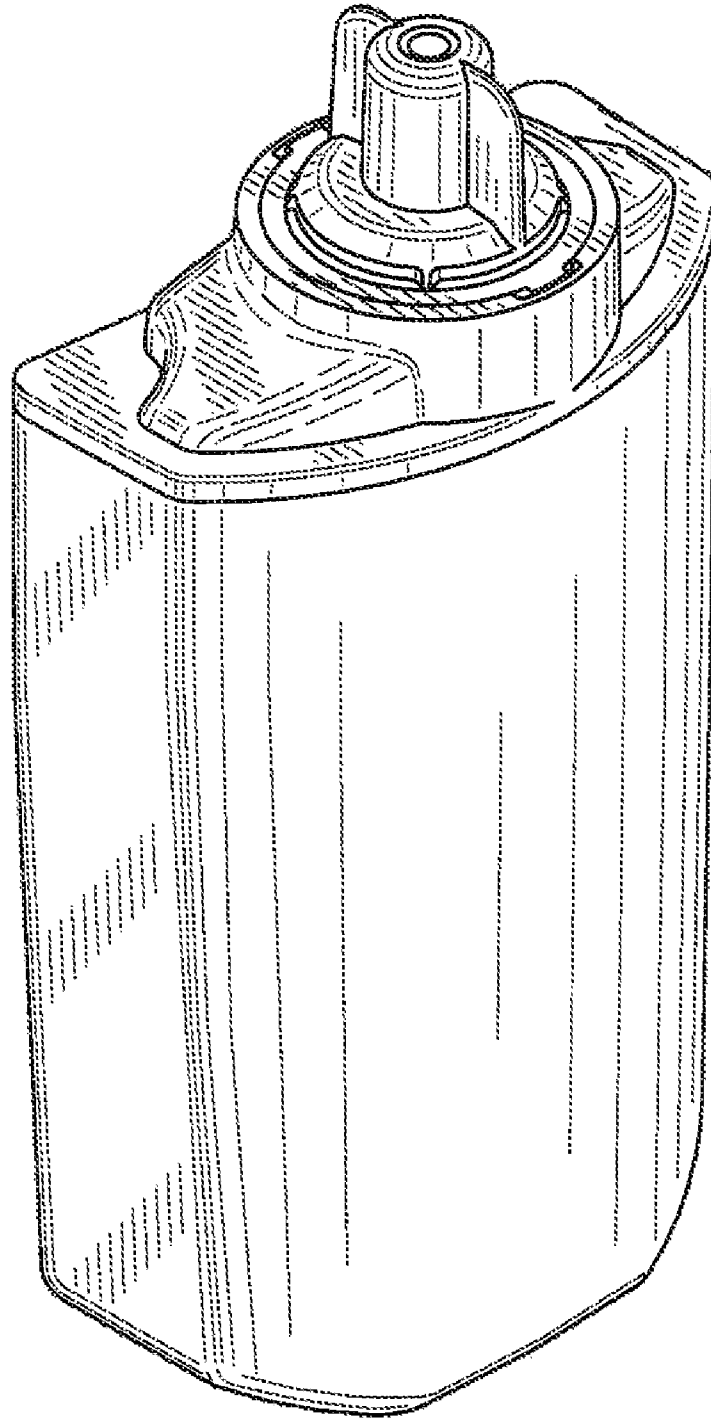


FIG. 1

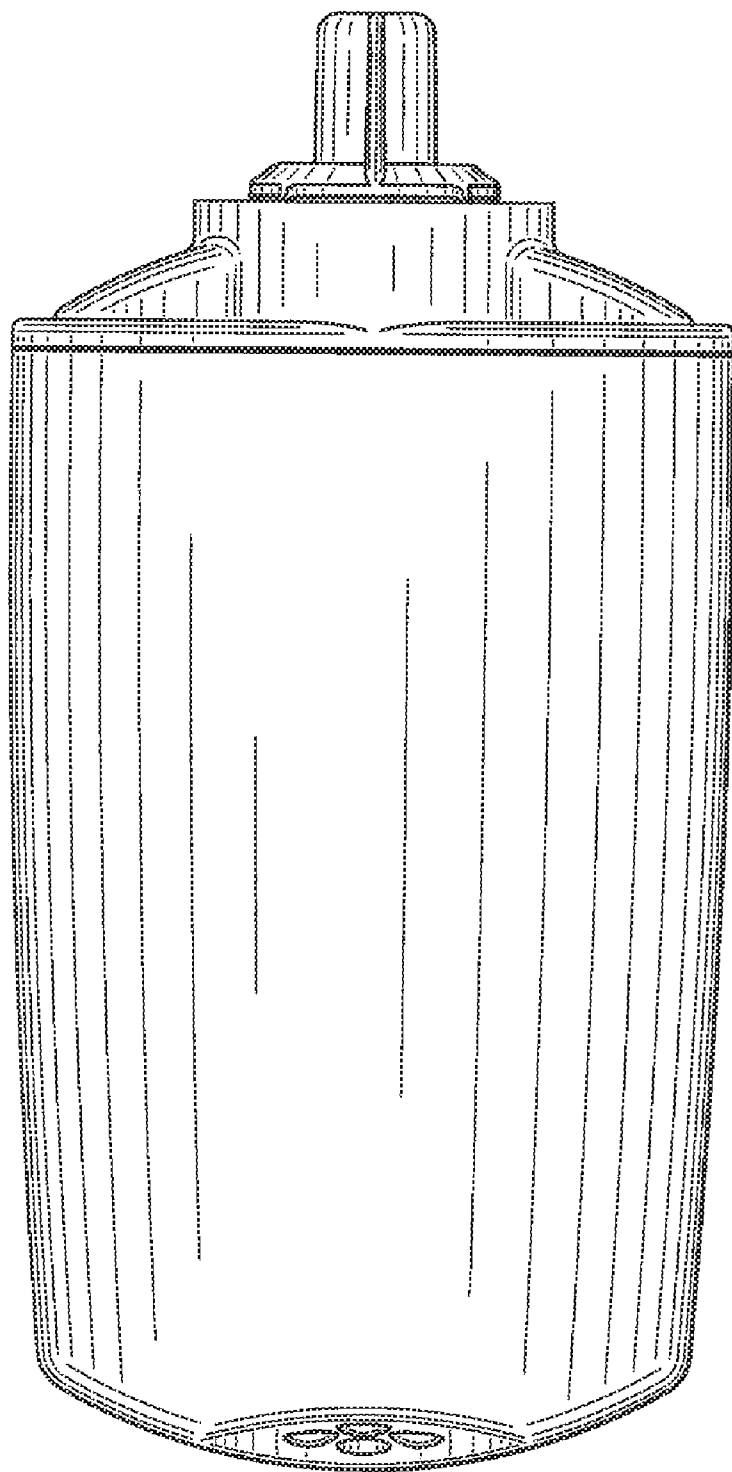


FIG. 2

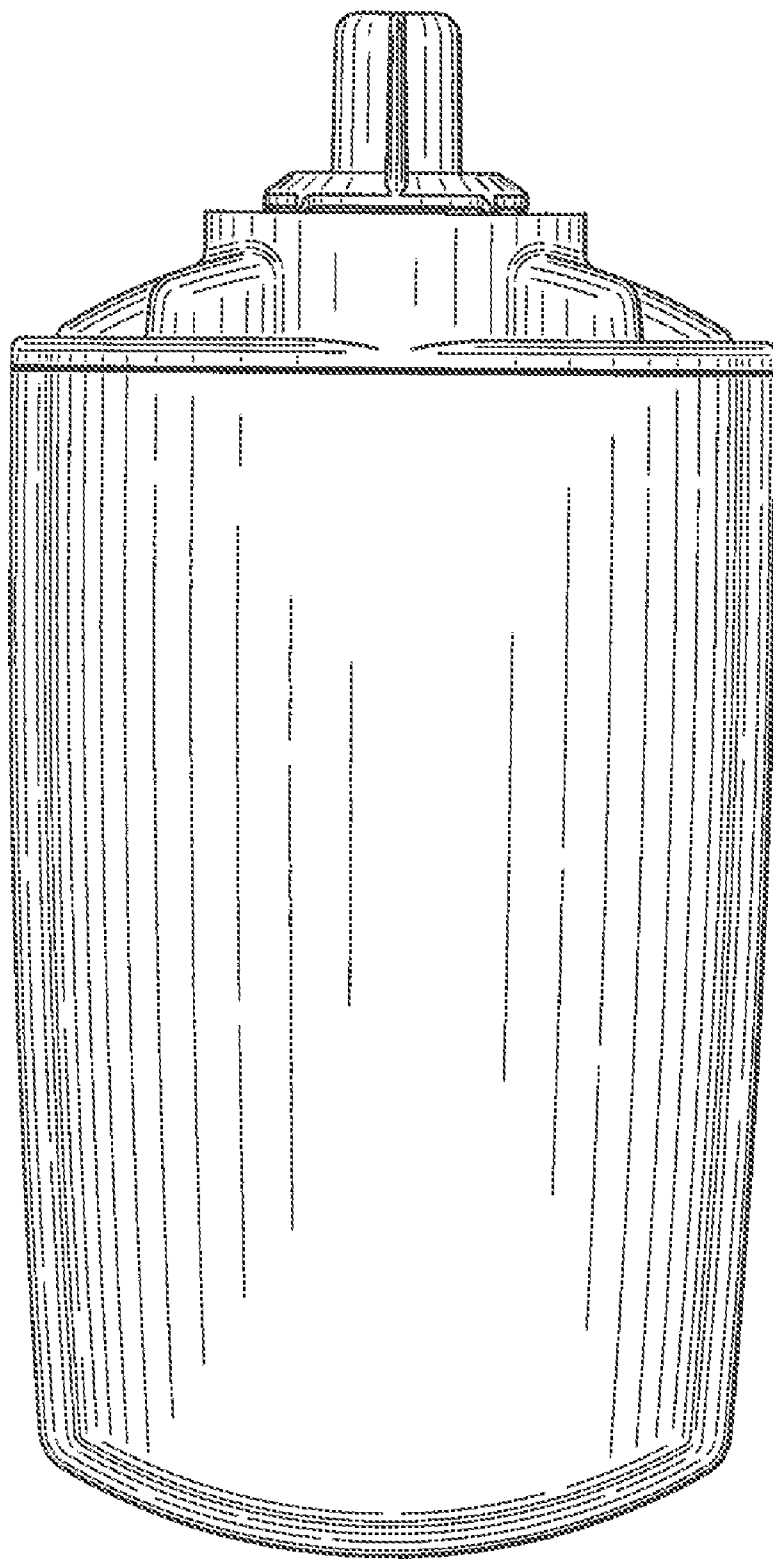


FIG. 3

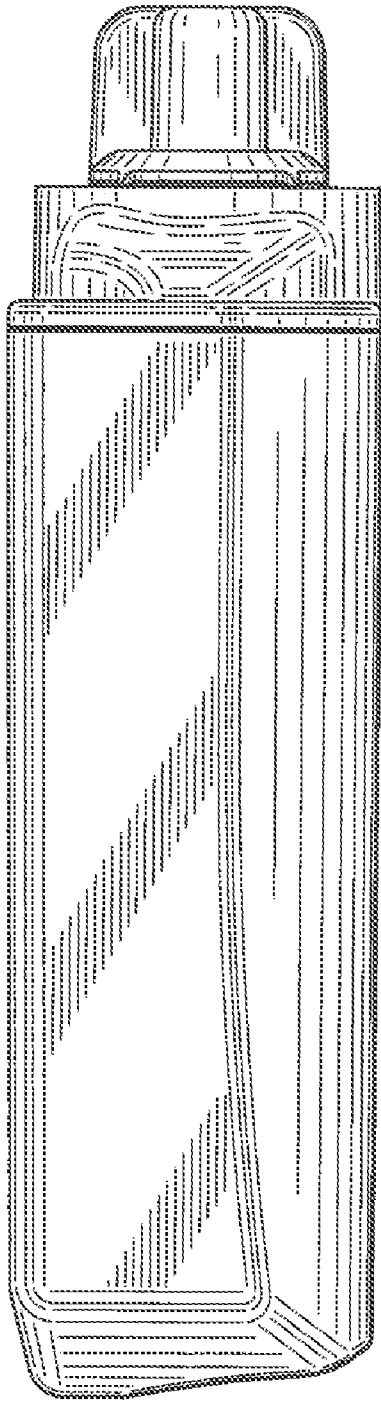


FIG. 4

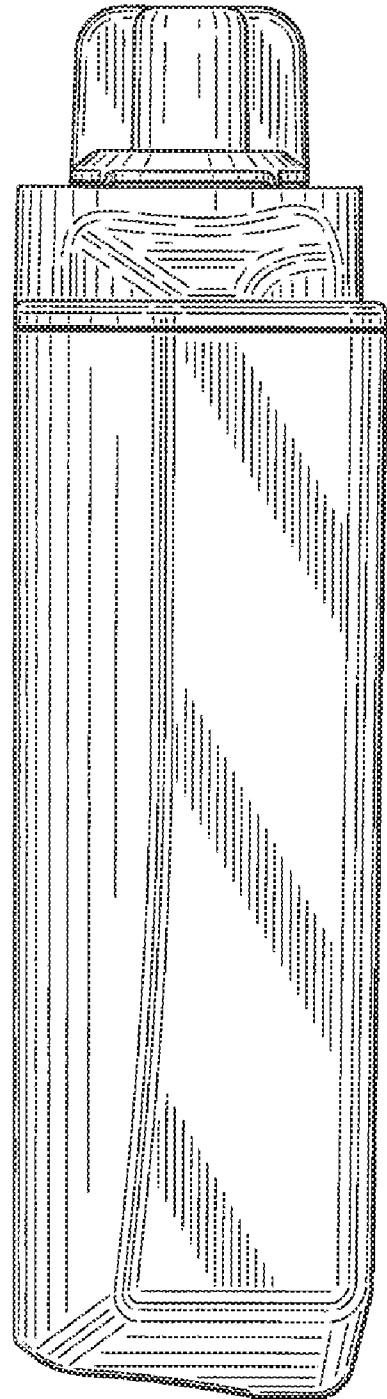


FIG. 5

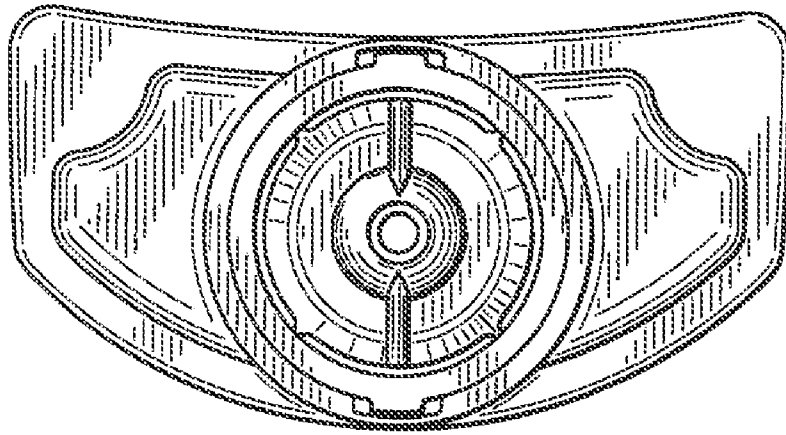


FIG. 6

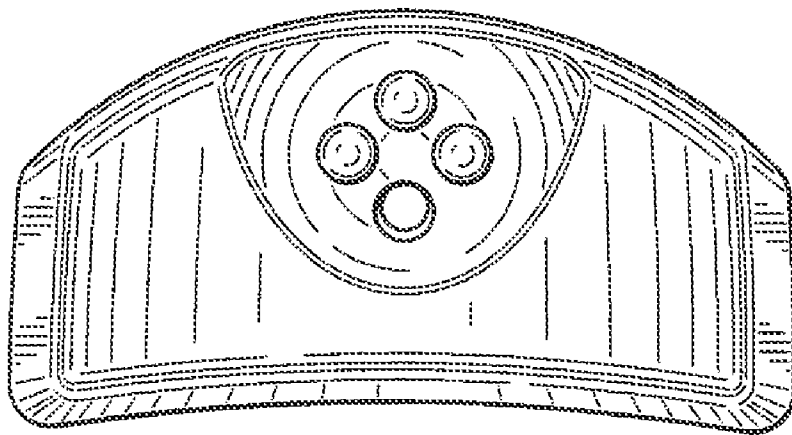


FIG. 7