



US00D985064S

(12) **United States Design Patent** (10) **Patent No.:** **US D985,064 S**
Cantoli-Alves et al. (45) **Date of Patent:** **** May 2, 2023**

(54) **DISH FOR FIDGET DEVICE**

FOREIGN PATENT DOCUMENTS

(71) Applicant: **POPSOCKETS LLC**, Boulder, CO (US)

WO WO-D218422-001 * 2/2022
WO WO-D218422-002 * 2/2022

(72) Inventors: **Vanessa Cantoli-Alves**, Boulder, CO (US); **Ivan Chen**, Boulder, CO (US); **Michael Kory**, Boulder, CO (US); **David Czarnecki**, Boulder, CO (US); **Lawrence Herman Fong**, Boulder, CO (US); **Randy Yang Chiang**, Boulder, CO (US); **David Barnett**, Boulder, CO (US)

OTHER PUBLICATIONS

Poppuck Starter Pack Day Trip, available on Popsockets.com, oldest customer review Nov. 4, 2021 [site visited Mar. 3, 2022], URL: <https://www.popsockets.com/en-us/p/poppuck-starter-pack-day-trip/804842.html> (Year: 2021).*

(Continued)

(73) Assignee: **POPSOCKETS LLC**, Boulder, CO (US)

Primary Examiner — Dana K Weiland
Assistant Examiner — Emily Anna Saunders

(74) *Attorney, Agent, or Firm* — Holland & Hart LLP

(**) Term: **15 Years**

(21) Appl. No.: **29/755,619**

(57) **CLAIM**

The ornamental design for a dish for fidget device, as shown and described.

(22) Filed: **Oct. 21, 2020**

(51) **LOC (14) Cl.** **21-01**

(52) **U.S. Cl.**
USPC **D21/455; D21/461**

(58) **Field of Classification Search**

USPC D7/399, 401, 500, 507, 51, 2, 553.4, D7/553.5, 553.6, 553.8, 554.1, 554.2; D30/129, 132; D21/455, 461; D9/424, D9/434, 499, 601, 60, 2, 550.1; D6/524, D6/532, 536; D23/278
CPC A47G 19/22; A47G 19/2283; A47K 5/00; A47K 5/04; A47K 5/08; A47K 3/024; A63H 33/00; A63H 33/26

See application file for complete search history.

DESCRIPTION

FIG. 1 is a top perspective view of the dish for fidget device according to the present invention;
FIG. 2 is a bottom perspective view thereof;
FIG. 3 is a top view thereof;
FIG. 4 is a bottom view thereof;
FIG. 5 is a front view thereof;
FIG. 6 is a rear view thereof;
FIG. 7 is a left side view thereof, the right side view being a mirror image of the left side view;
FIG. 8 is a cross-sectional view thereof taken in the direction of line 8-8 in FIG. 3; and,
FIG. 9 is a cross-sectional view thereof taken in the direction of line 9-9 in FIG. 3.

The broken lines shown in the figures depict portions of the dish for fidget device that form no part of the claimed design.

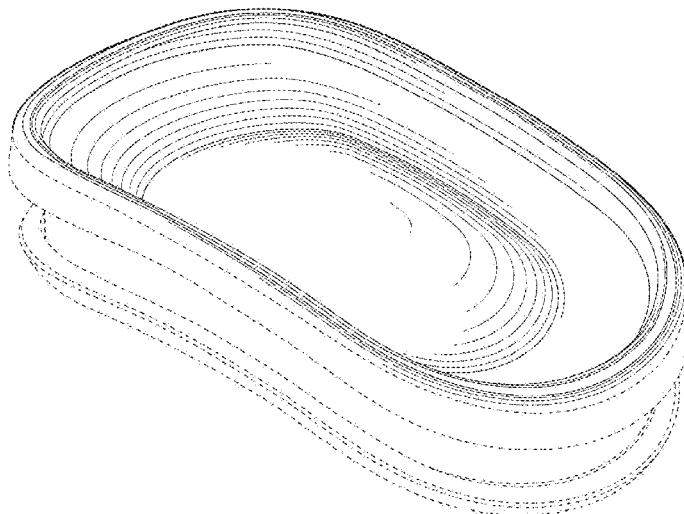
(56) **References Cited**

U.S. PATENT DOCUMENTS

2,547,743 A * 4/1951 Burr A47K 3/024 D23/278
D185,787 S * 8/1959 Menghi D23/278
D212,678 S * 11/1968 Swett D7/629

(Continued)

1 Claim, 4 Drawing Sheets



(56)

References Cited

U.S. PATENT DOCUMENTS

D225,886	S	*	1/1973	Dolby	D7/586
D245,103	S	*	7/1977	Gross	D25/36
D248,357	S	*	7/1978	Daenen	D7/505
D257,107	S	*	9/1980	Daenen	D7/602
D279,067	S	*	6/1985	Kuster	D7/554.2
D286,355	S	*	10/1986	Bussell	D6/536
D306,039	S	*	2/1990	King	D19/75
D365,483	S	*	12/1995	Van Dyk	D6/536
D371,963	S	*	7/1996	Ahern, Jr.	D7/602
D373,509	S	*	9/1996	Bormioli	D7/554.2
D407,974	S	*	4/1999	Zimmer	D9/428
D412,643	S	*	8/1999	Cornelissen	D7/554.2
D413,219	S	*	8/1999	Glenton Kerr	D6/536
D417,574	S	*	12/1999	Ludwig	D6/536
D424,443	S	*	5/2000	Panetti	D9/455
D427,432	S	*	7/2000	Au	D3/265
D466,762	S	*	12/2002	Cote	D7/545
D469,320	S	*	1/2003	Pettaweebuncha	D7/629
D480,304	S	*	10/2003	Stodd	D9/434
D483,444	S	*	12/2003	Lebrun	D23/277
D490,656	S	*	6/2004	Levien	D7/554.2
D494,817	S	*	8/2004	Rutter	D7/545
D497,774	S	*	11/2004	Smith	D7/545
D507,459	S	*	7/2005	Angeletti	D7/554.1
D515,873	S	*	2/2006	Vendl	D7/545
D524,604	S	*	7/2006	Vendl	D7/545
D525,120	S	*	7/2006	Maskell	D9/428
D546,925	S	*	7/2007	Bruce	D23/277
D595,392	S	*	6/2009	Verlinden	D23/278
D610,408	S	*	2/2010	Paolini	D7/584
D637,844	S	*	5/2011	Kraemer	D6/536
D646,159	S	*	10/2011	Bellamah	D9/424
D650,238	S	*	12/2011	Klein	D7/554.2
D665,253	S	*	8/2012	Bellamah	D9/424
D670,450	S	*	11/2012	Graves	D30/129
D674,688	S	*	1/2013	Loftin	D9/428
D679,547	S	*	4/2013	Chen	D7/545
D697,764	S	*	1/2014	Carlson	D7/602
D710,486	S	*	8/2014	Sundberg	D23/278
D745,645	S	*	12/2015	Burke	D23/277
D750,441	S	*	3/2016	Hartmann	D7/553.5
D757,458	S	*	5/2016	Snell	D6/536
D811,215	S	*	2/2018	Wu	D9/428
D815,717	S	*	4/2018	Urquiola Hidalgo	D23/293.1
D943,068	S	*	2/2022	Kang	D23/277
D948,002	S	*	4/2022	Bélanger	D23/277
2022/0096949	A1	*	3/2022	Cantoli-Alves	A63H 33/26

OTHER PUBLICATIONS

Poppuck Starter Pack Day Trip, available on popsockets.com, Wayback Machine date Nov. 27, 2021, oldest customer review Jan. 19, 2022, [site visited Mar. 3, 2022], URL: <https://web.archive.org/web/20211127023510/https://www.popsockets.com/en-us/p/poppuck-starter-pack-black-flip/804839.html> (Year: 2021).*

Woosha! Ohana Mini Fidget Dish, available on worthpoint.com, [site visited Mar. 3, 2022], URL: <https://www.worthpoint.com/worthopedia/woosah-ohana-mini-fidget-spinner-1926210534> (Year: 2022).*

Avenue 36cm Oval Platter White, available on myer.com.au, Wayback Machine date Oct. 20, 2020, oldest customer review 2021, [site visited Mar. 3, 2022], URL: <https://web.archive.org/web/20201020055602/https://www.myer.com.au/p/heritage-avenue-oval-platter-white-36cm> (Year: 2020).*

Mason Cash William Baking Dish, available on biscoes.co.nz, [site visited Mar. 3, 2022], URL: <https://www.briscoes.co.nz/product/1089102/mason-cash-william-mason-white-rectangle-baking-dish-28cm/> (Year: 2022).*

* cited by examiner

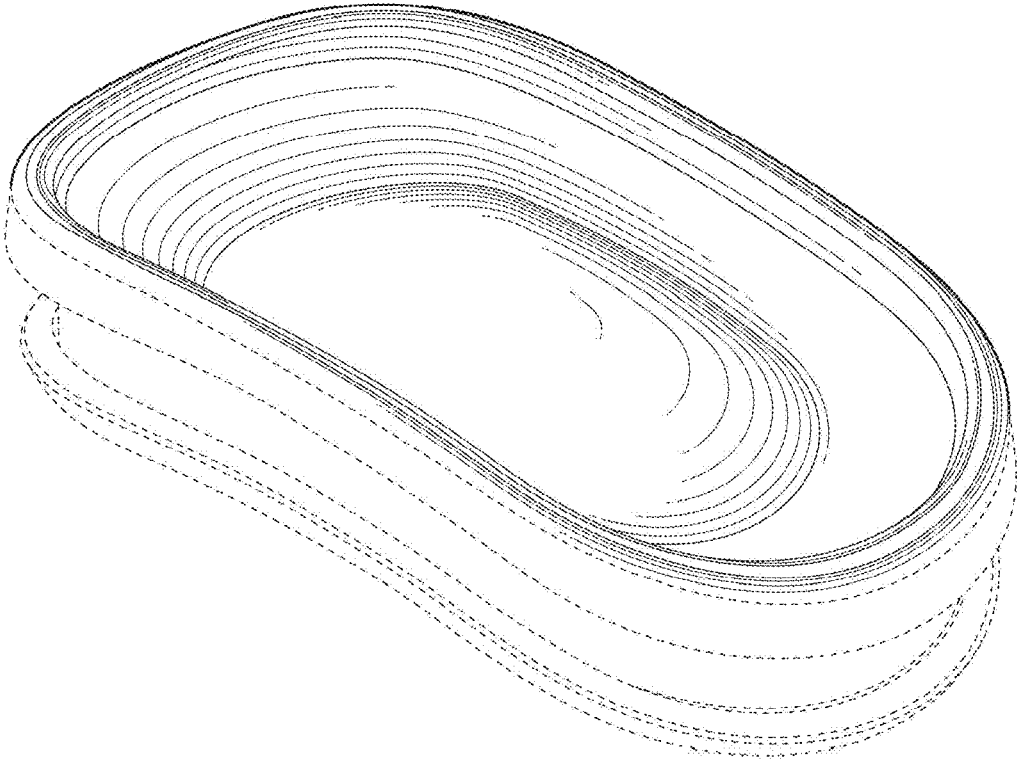


FIG. 1

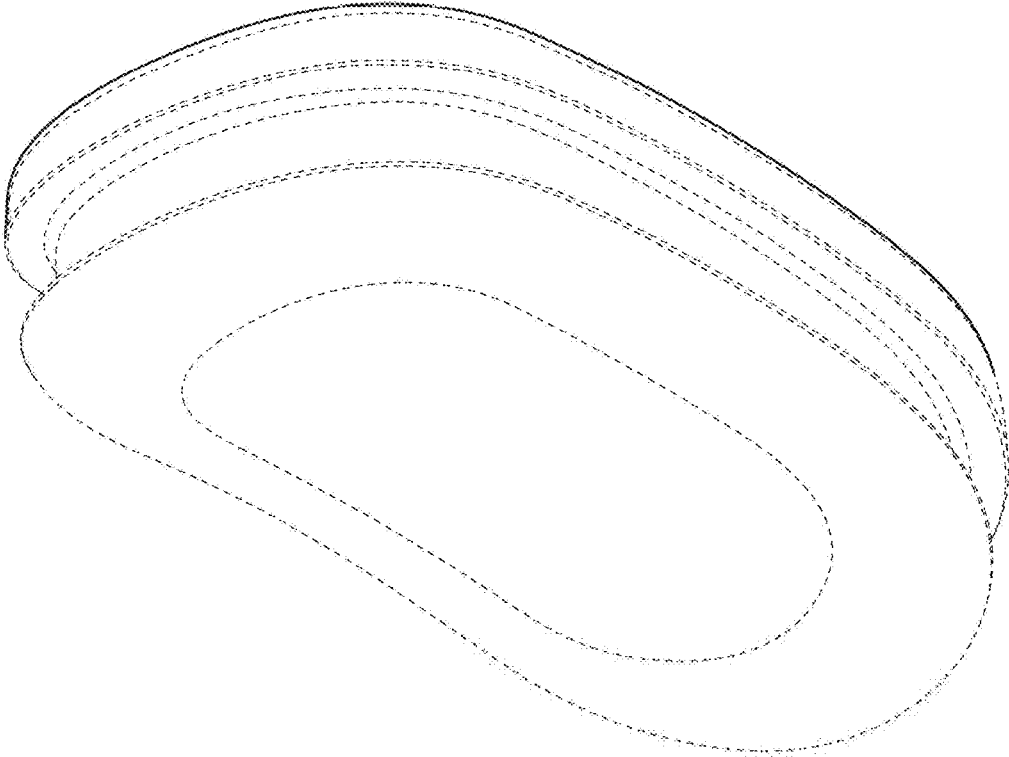


FIG. 2

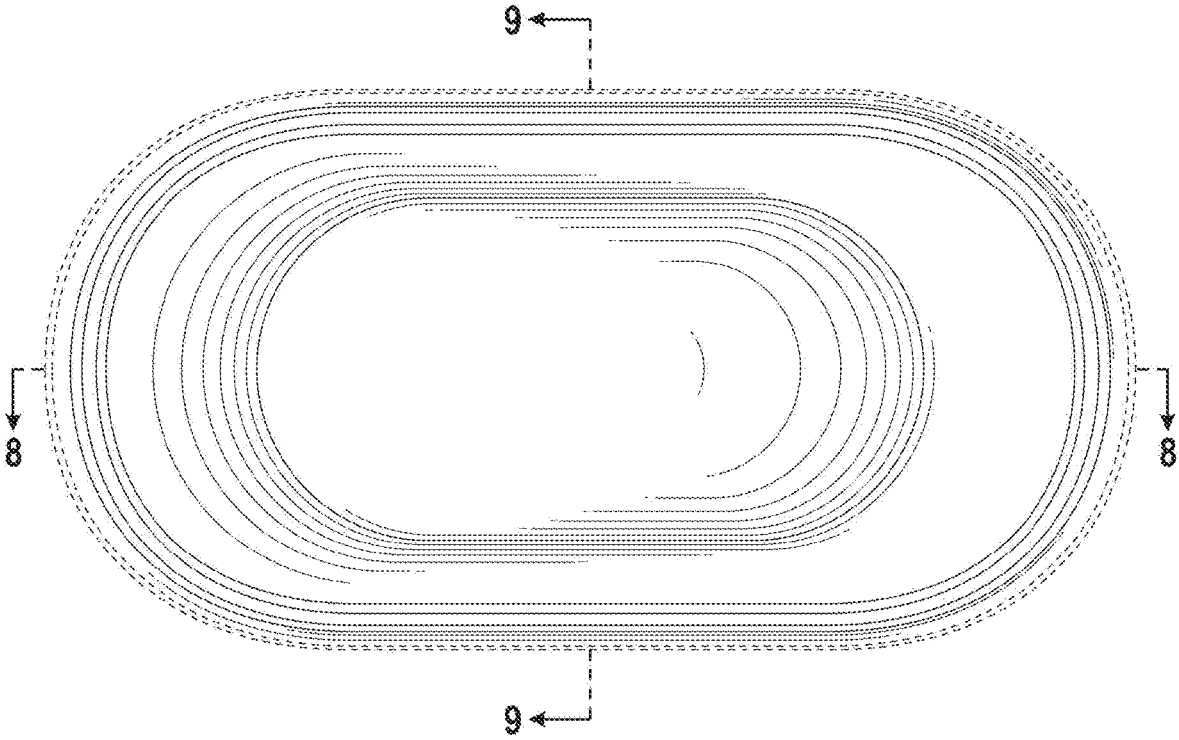


FIG. 3

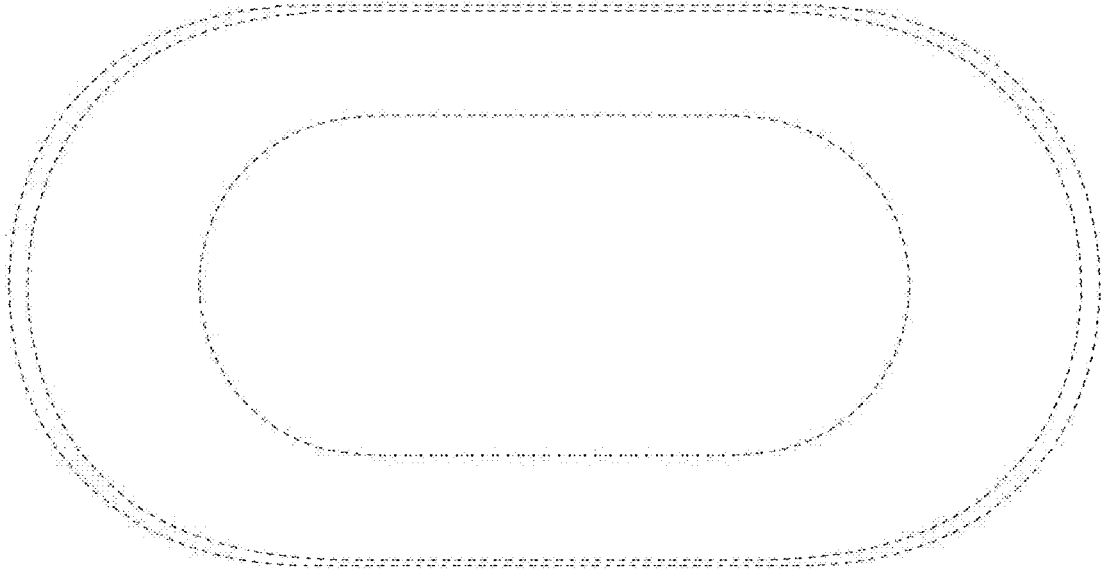


FIG. 4

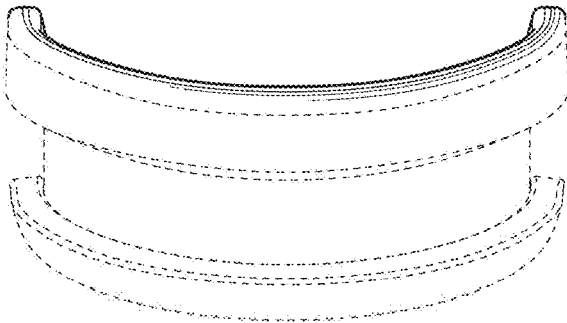


FIG. 5

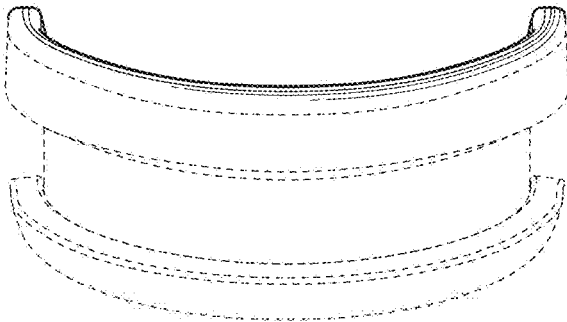


FIG. 6

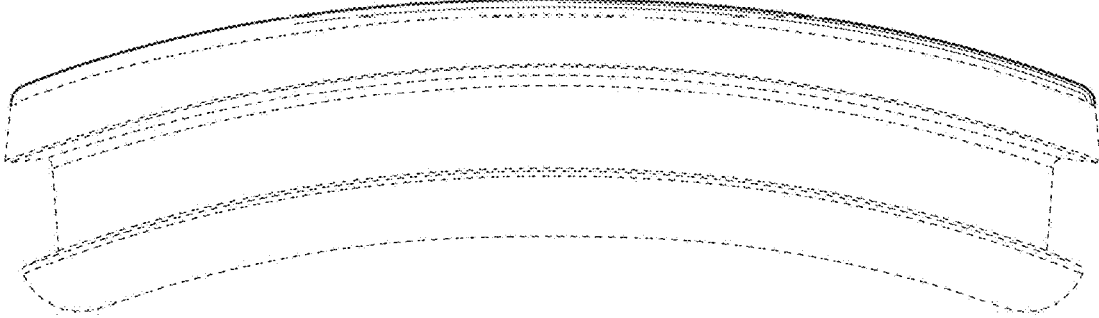


FIG. 7

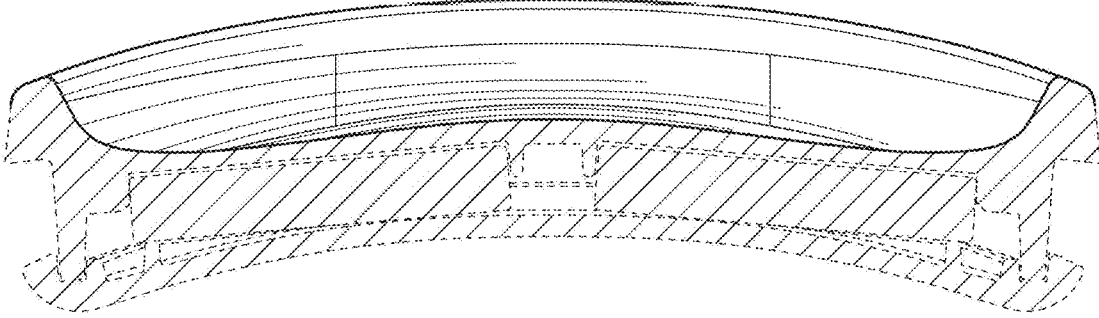


FIG. 8

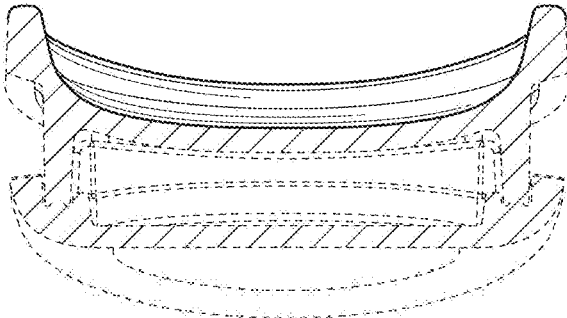


FIG. 9