



(12) **United States Design Patent**
Mouradian et al.

(10) **Patent No.:** **US D808,018 S**
(45) **Date of Patent:** **** *Jan. 16, 2018**

- (54) **EAR SCANNER**
- (71) Applicant: **SENSOGRAM TECHNOLOGIES, INC.**, Plano, TX (US)
- (72) Inventors: **Vahram Mouradian**, Plano, TX (US);
Boris Melikyan, Yerevan (AM)
- (73) Assignee: **Sensogram Technologies, Inc.**, Plano, TX (US)
- (*) Notice: This patent is subject to a terminal disclaimer.
- (**) Term: **14 Years**
- (21) Appl. No.: **29/525,808**
- (22) Filed: **May 3, 2015**
- (51) **LOC (11) Cl.** **24-02**
- (52) **U.S. Cl.**
USPC **D24/167**

- (58) **Field of Classification Search**
USPC D14/205, 206, 223, 155, 358, 420, 344,
D14/138 R; D24/158, 165-169, 174,
D24/175; D13/133; D10/37, 38, 46, 70,
D10/75, 78, 96, 97
CPC ... A61B 5/0402; A61B 5/0404; A61B 5/0205;
A61B 5/021; A61B 5/024; A61B
5/02438; A61B 5/11; A61B 5/68; A61B
5/6801; A61B 5/6802; A61B 5/6803;
A61B 5/6815; A61B 5/6816; A61B
5/6817; A61B 2560/0462; H04R 25/00;
H04R 25/05; H04R 25/652; H04R
25/604; H04M 1/05; H04M 1/6041;
H04M 1/6058; H04M 1/6066
See application file for complete search history.

(56) **References Cited**
U.S. PATENT DOCUMENTS

- D199,125 S * 9/1964 Flygstad D14/206
- D218,173 S * 7/1970 Hutchings D14/206

- D251,234 S * 3/1979 Hakansson D10/46
- D273,706 S * 5/1984 McCall 128/907
- D294,562 S * 3/1988 Chao D10/106.1
- D396,015 S * 7/1998 Beavers D10/106.1
- D443,261 S * 6/2001 Yuyama D14/223
- D468,721 S * 1/2003 Nguyen D14/205
- D469,081 S * 1/2003 Perszyk D14/205
- D475,694 S * 6/2003 Bey D14/206
- D510,336 S * 10/2005 Gibson D14/205

(Continued)

OTHER PUBLICATIONS

sentotrACK. prweb.com. (online image) 1 pg. uploaded Dec. 29, 2013 [retrieved on Sep. 25, 2016] <http://www.prweb.com/releases/2013/12/prweb11452147.htm> IMG URL: http://www1.prweb.com/prfiles/2013/12/29/11452147/gl_120040_ST-Red-e.png*

(Continued)

Primary Examiner — Susan Bennett Hattan
Assistant Examiner — Marie Fast Horse
(74) *Attorney, Agent, or Firm* — RatnerPrestia

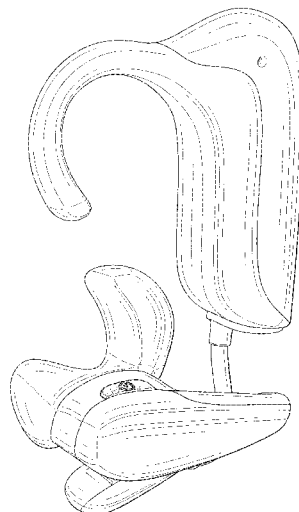
(57) **CLAIM**

We claim the ornamental design for an ear scanner, as substantially shown and described.

DESCRIPTION

FIG. 1 is a front isometric view of an ear scanner; FIG. 2 is a front view thereof; FIG. 3 is a back view thereof; FIG. 4 is a left side view thereof; FIG. 5 is a right side view thereof; FIG. 6 is a top view thereof; FIG. 7 is a bottom view thereof; and, FIG. 8 is a back isometric view thereof. The broken lines on the power button seen in FIGS. 1, 2, 4, and 6 depict environment and form no part of the claim, while the broken lines in FIGS. 3, 5, and 8 depict portions of the ear scanner that form no part of the claimed design.

1 Claim, 8 Drawing Sheets



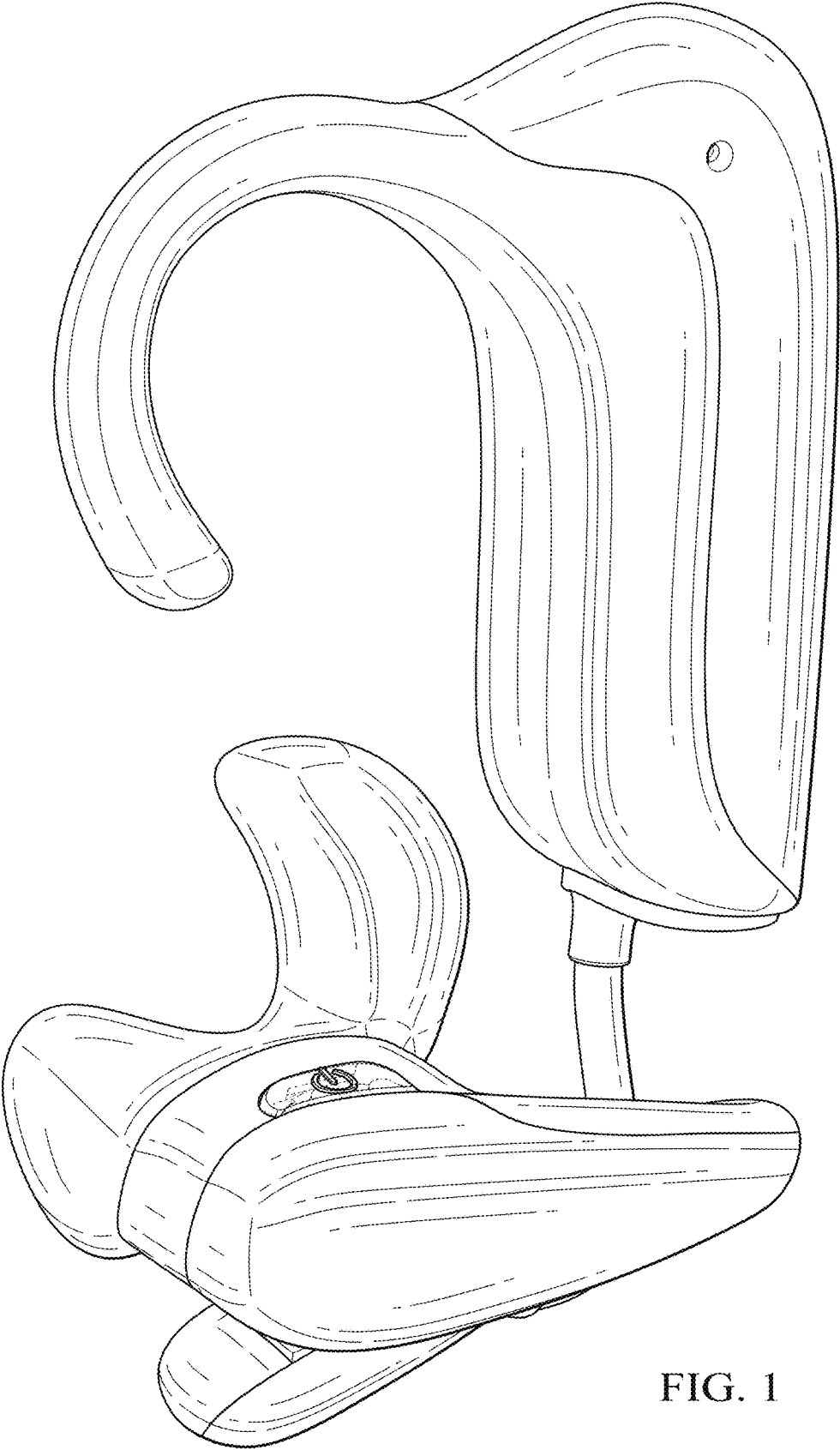


FIG. 1

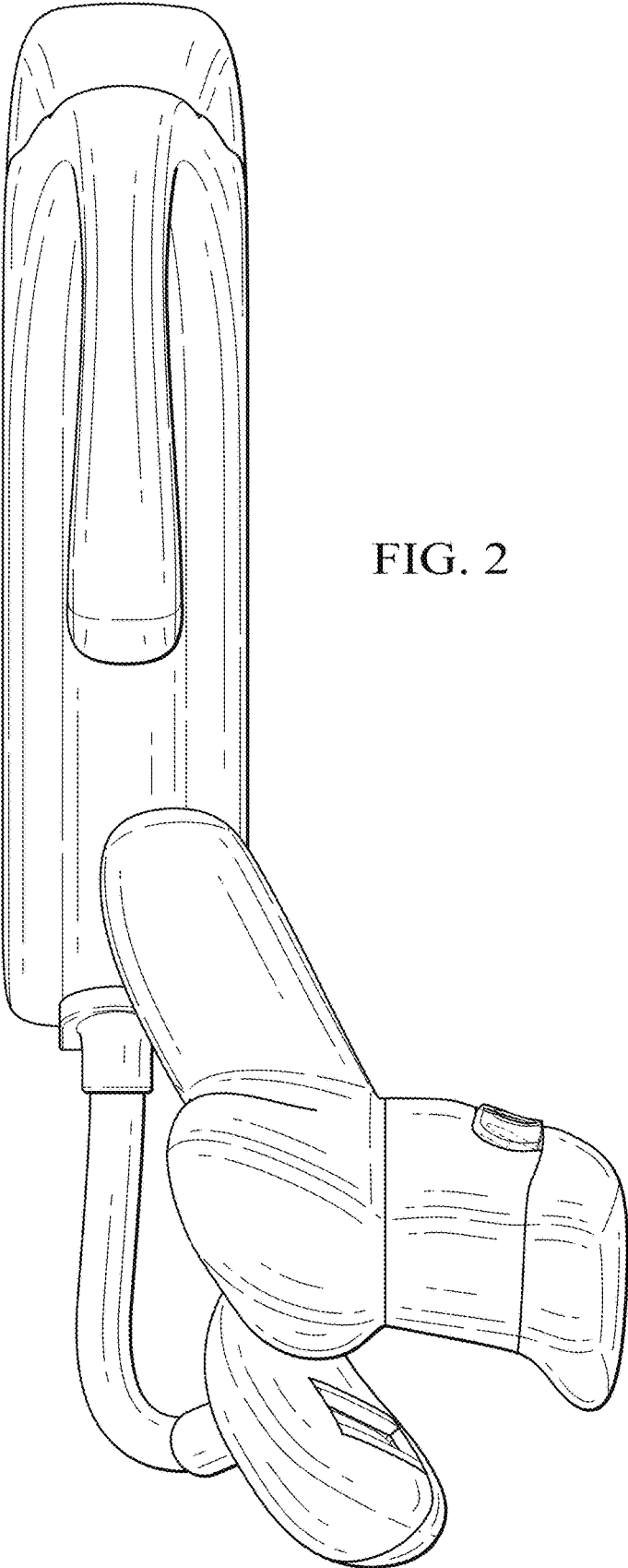


FIG. 2

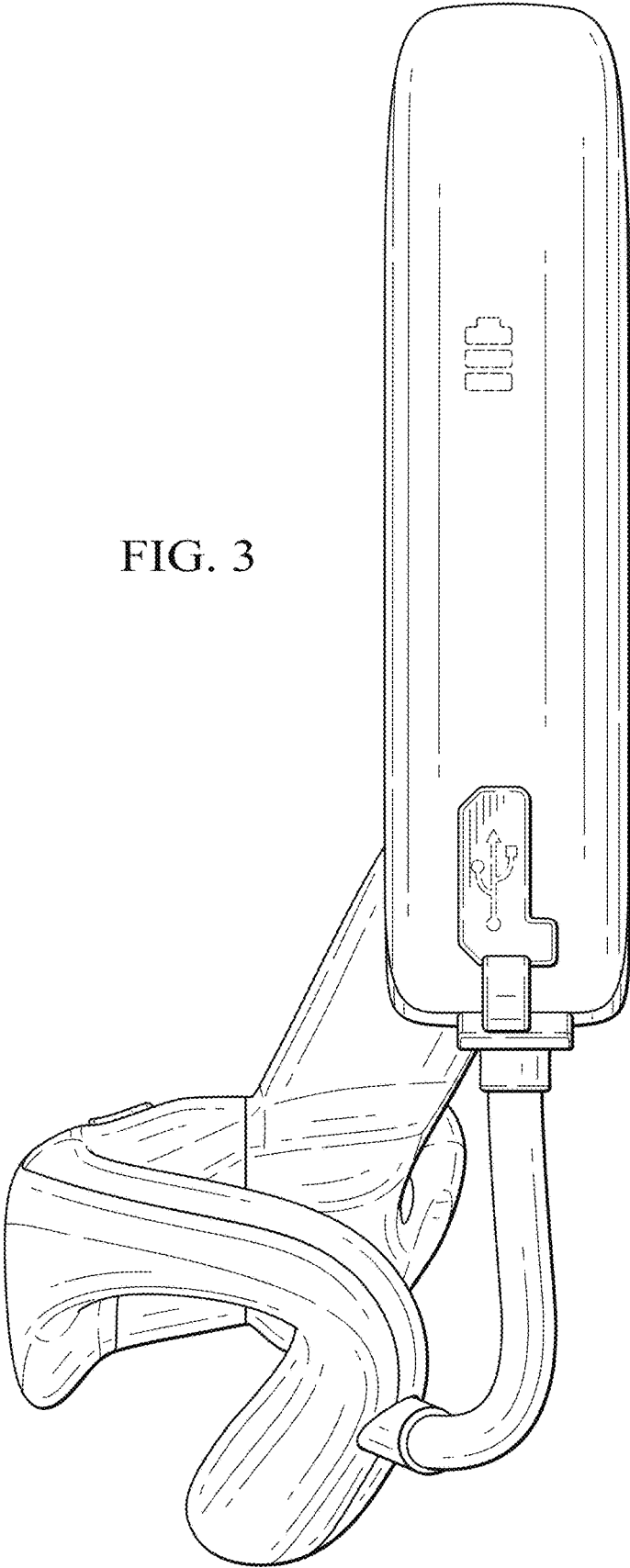


FIG. 3

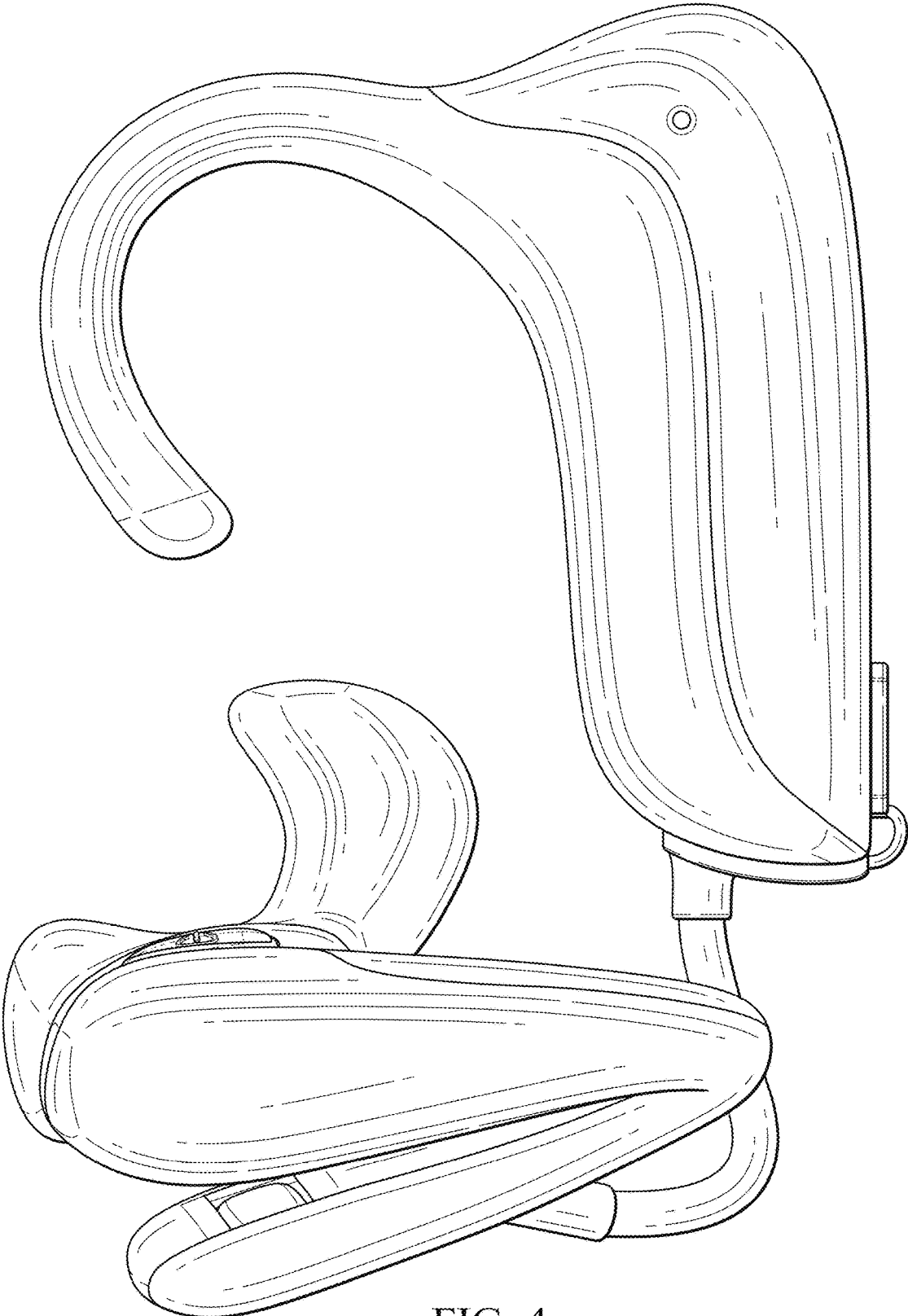


FIG. 4

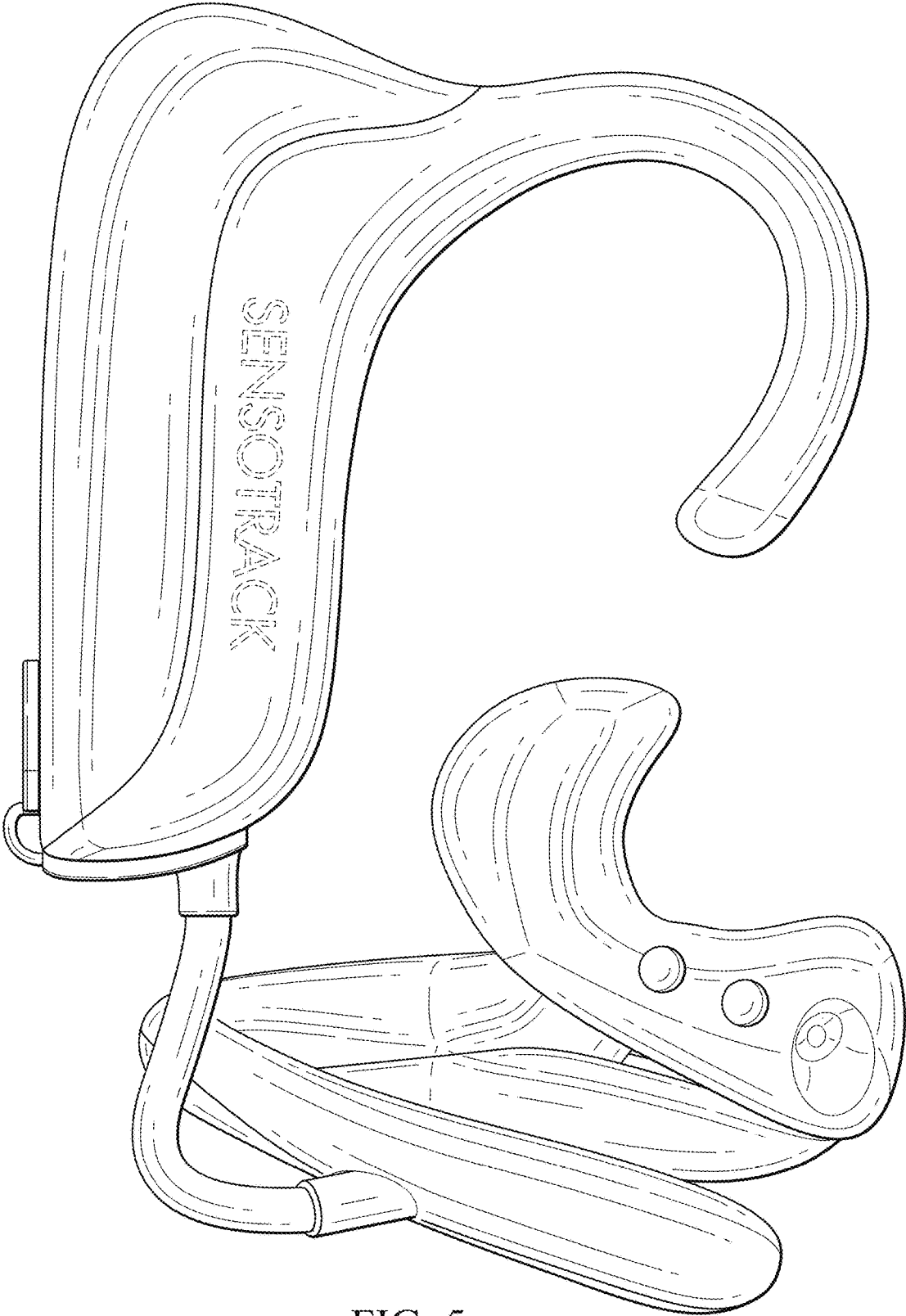


FIG. 5

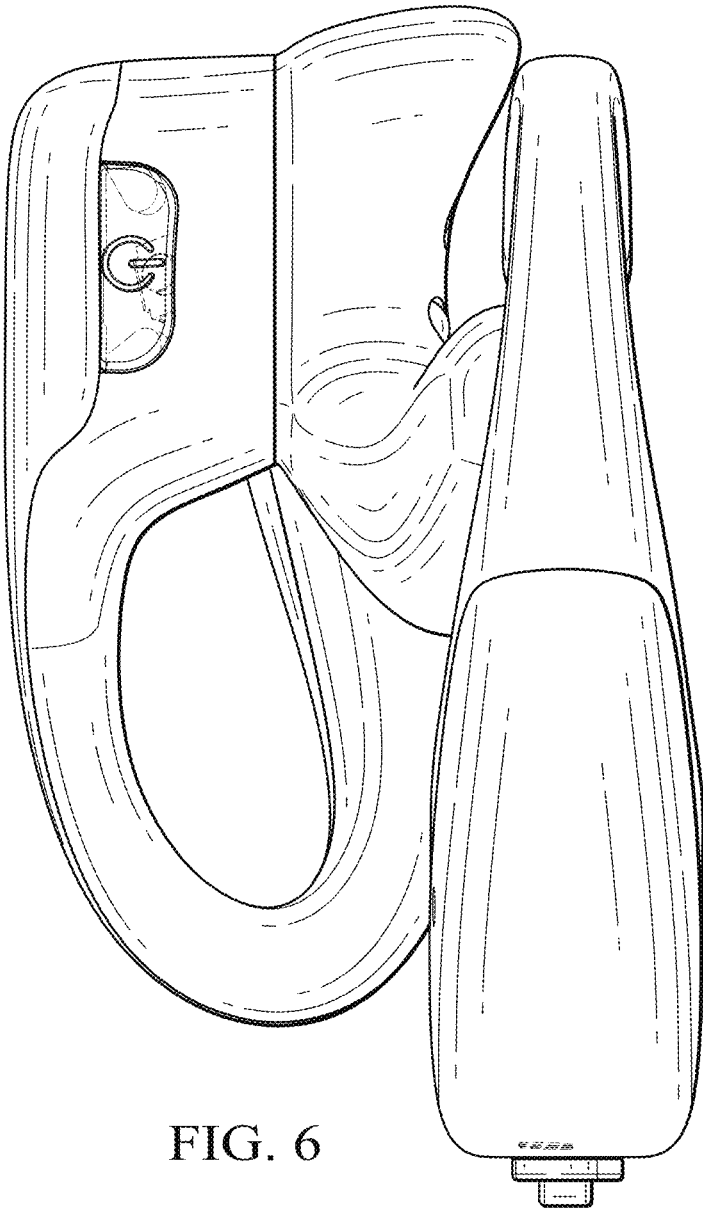


FIG. 6

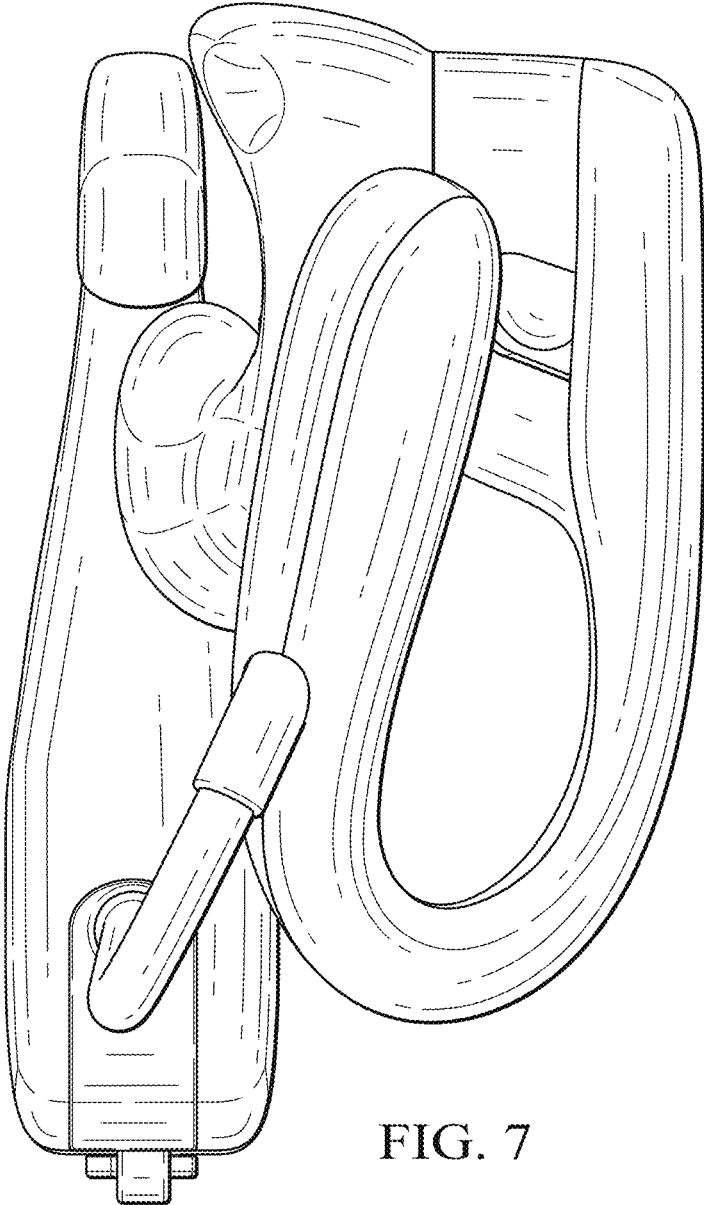


FIG. 7

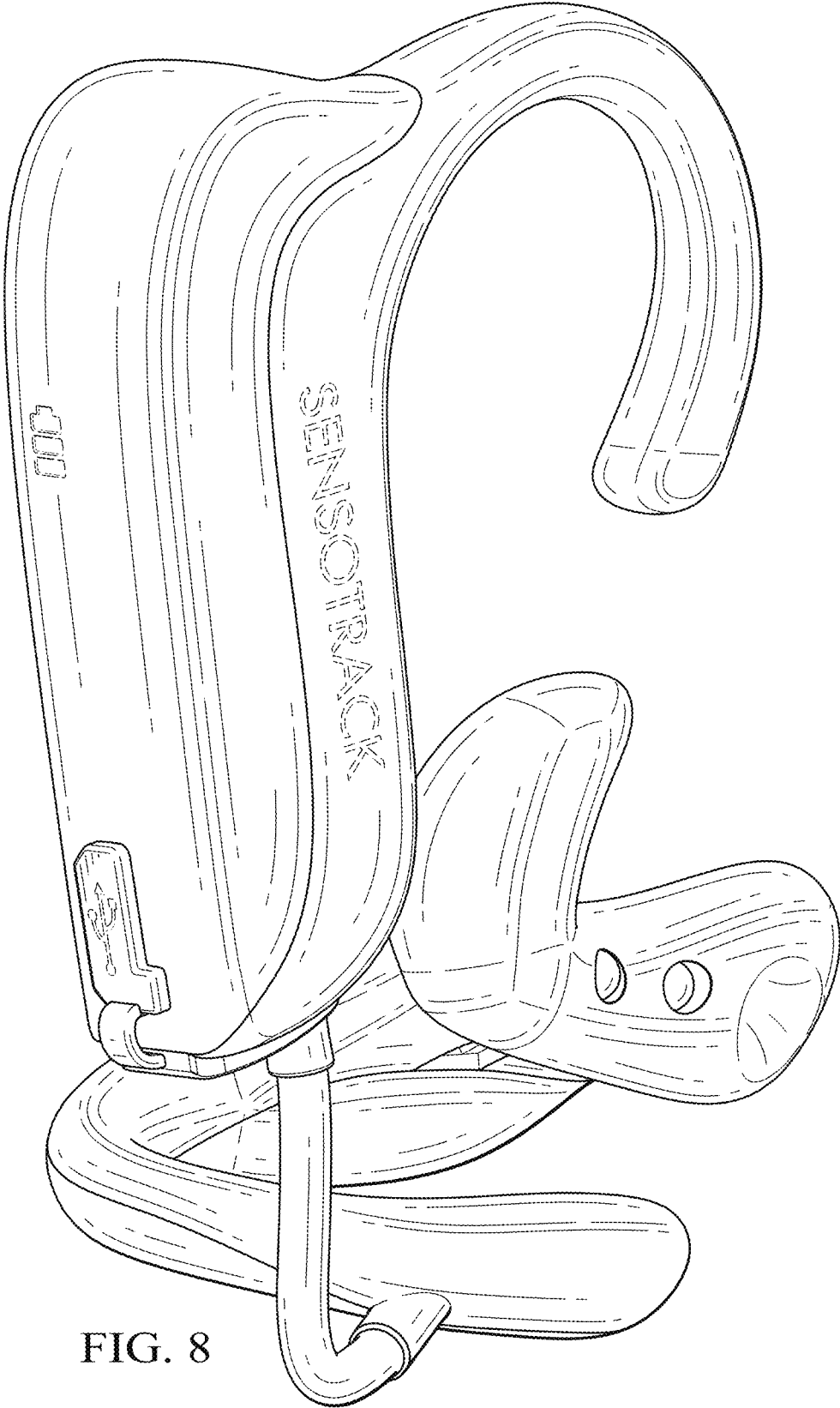


FIG. 8