



US00D789195S

(12) **United States Design Patent**
Pickard et al.

(10) **Patent No.:** **US D789,195 S**
(45) **Date of Patent:** **** Jun. 13, 2017**

(54) **PACKAGING CONTAINER FOR PRODUCE**

DESCRIPTION

(71) Applicant: **ORORA NORTH AMERICA**, Buena Park, CA (US)

(72) Inventors: **Keith Pickard**, Ontario (CA); **Charles Erway**, Cadillac, MI (US)

(73) Assignee: **ORORA PACKAGING SOLUTIONS**, Buena Park, CA (US)

(**) Term: **15 Years**

(21) Appl. No.: **29/562,176**

(22) Filed: **Apr. 22, 2016**

(51) **LOC (10) Cl.** **09-03**

(52) **U.S. Cl.**
USPC **D9/425**

(58) **Field of Classification Search**
USPC D7/396.1, 538-545, 602, 608, 629;
D9/414, 420, 424-429, 432, 761;
(Continued)

(56) **References Cited**

U.S. PATENT DOCUMENTS

D211,682 S * 7/1968 Eicholtz et al. D9/425
D378,552 S * 3/1997 Lippisch D3/273
(Continued)

OTHER PUBLICATIONS

U.S. Appl. No. 29/562,181, filed Apr. 2016, Pickard et al.
U.S. Appl. No. 15/229,023, filed Aug. 2016, Pickard et al.

Primary Examiner — Derrick Holland

Assistant Examiner — Janice Lim

(74) *Attorney, Agent, or Firm* — Martin & Ferraro, LLP

(57) **CLAIM**

The ornamental design for a packaging container for produce, as shown and described.

FIG. 1 is a top, front, right side perspective view of embodiment one, of a packaging container for produce, showing our new design;

FIG. 2 is a bottom, rear, left side perspective view of the packaging container for produce of FIG. 1;

FIG. 3 is a front elevational view of the packaging container for produce of FIG. 1;

FIG. 4 is a rear elevational view of the packaging container for produce of FIG. 1;

FIG. 5 is a left side elevational view of the packaging container for produce of FIG. 1;

FIG. 6 is a right side elevational view of the packaging container for produce of FIG. 1;

FIG. 7 is a top plan view of the packaging container for produce of FIG. 1;

FIG. 8 is a bottom plan view of the packaging container for produce of FIG. 1;

FIG. 9 is a cross-sectional view of the packaging container for produce of FIG. 1, taken along line 9-9 in FIG. 7;

FIG. 10 is a top, front, right side perspective view of embodiment two, of a packaging container for produce, showing our new design;

FIG. 11 is a bottom, rear, left side perspective view of the packaging container for produce of FIG. 10;

FIG. 12 is a front elevational view of the packaging container for produce of FIG. 10;

FIG. 13 is a rear elevational view of the packaging container for produce of FIG. 10;

FIG. 14 is a left side elevational view of the packaging container for produce of FIG. 10;

FIG. 15 is a right side elevational view of the packaging container for produce of FIG. 10;

FIG. 16 is a top plan view of the packaging container for produce of FIG. 10;

FIG. 17 is a bottom plan view of the packaging container for produce of FIG. 10;

FIG. 18 is a cross-sectional view of the packaging container for produce of FIG. 10, taken along line 18-18 in FIG. 16;

FIG. 19 is a top, front, right side perspective view of embodiment three, of a packaging container for produce, showing our new design;

(Continued)

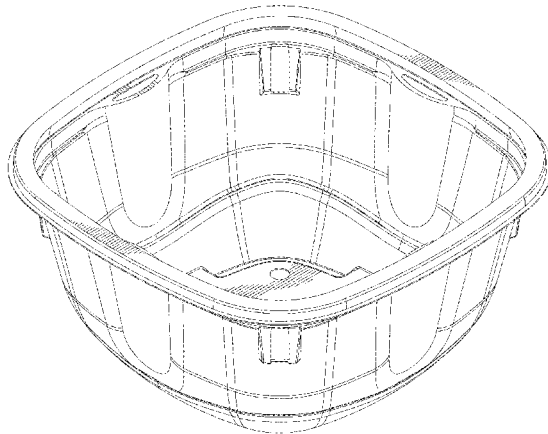
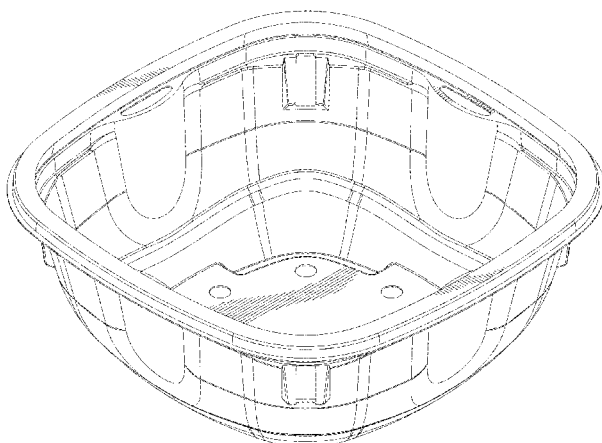


FIG. 20 is a bottom, rear, left side perspective view of the packaging container for produce of FIG. 19;
 FIG. 21 is a front elevational view of the packaging container for produce of FIG. 19;
 FIG. 22 is a rear elevational view of the packaging container for produce of FIG. 19;
 FIG. 23 is a left side elevational view of the packaging container for produce of FIG. 19;
 FIG. 24 is a right side elevational view of the packaging container for produce of FIG. 19;
 FIG. 25 is a top plan view of the packaging container for produce of FIG. 19;
 FIG. 26 is a bottom plan view of the packaging container for produce of FIG. 19; and,
 FIG. 27 is a cross-sectional view of the packaging container for produce of FIG. 19, taken along line 27-27 in FIG. 25.

1 Claim, 21 Drawing Sheets

(58) **Field of Classification Search**
 USPC 206/501-509, 512; 220/4.23-4.24, 23.86,
 220/780, 781, 791-793, 835, 839

CPC B65D 1/24; B65D 25/04; B65D 43/03;
 B65D 43/16
 See application file for complete search history.

(56)

References Cited

U.S. PATENT DOCUMENTS

D415,935	S *	11/1999	Martinez	D7/602
D485,473	S *	1/2004	Dais	D7/629
D496,272	S *	9/2004	Jackson	D7/602
D502,096	S *	2/2005	Wilcock	D9/425
D514,441	S *	2/2006	Snedden	D9/418
D514,931	S	2/2006	Snedden et al.	
D558,045	S	12/2007	Templeton	
D562,128	S	2/2008	van de Velde	
D656,369	S *	3/2012	Everson	B65D 43/162 D7/629
D678,050	S *	3/2013	Birchmeier	D9/424
D685,628	S	7/2013	Durdon et al.	
D692,748	S	11/2013	Short et al.	
D696,111	S *	12/2013	Sundy	D9/429
2008/0135556	A1 *	6/2008	Bontrager	B65D 1/34 220/260
2009/0120937	A1 *	5/2009	Vovan	B65D 43/0206 220/266

* cited by examiner

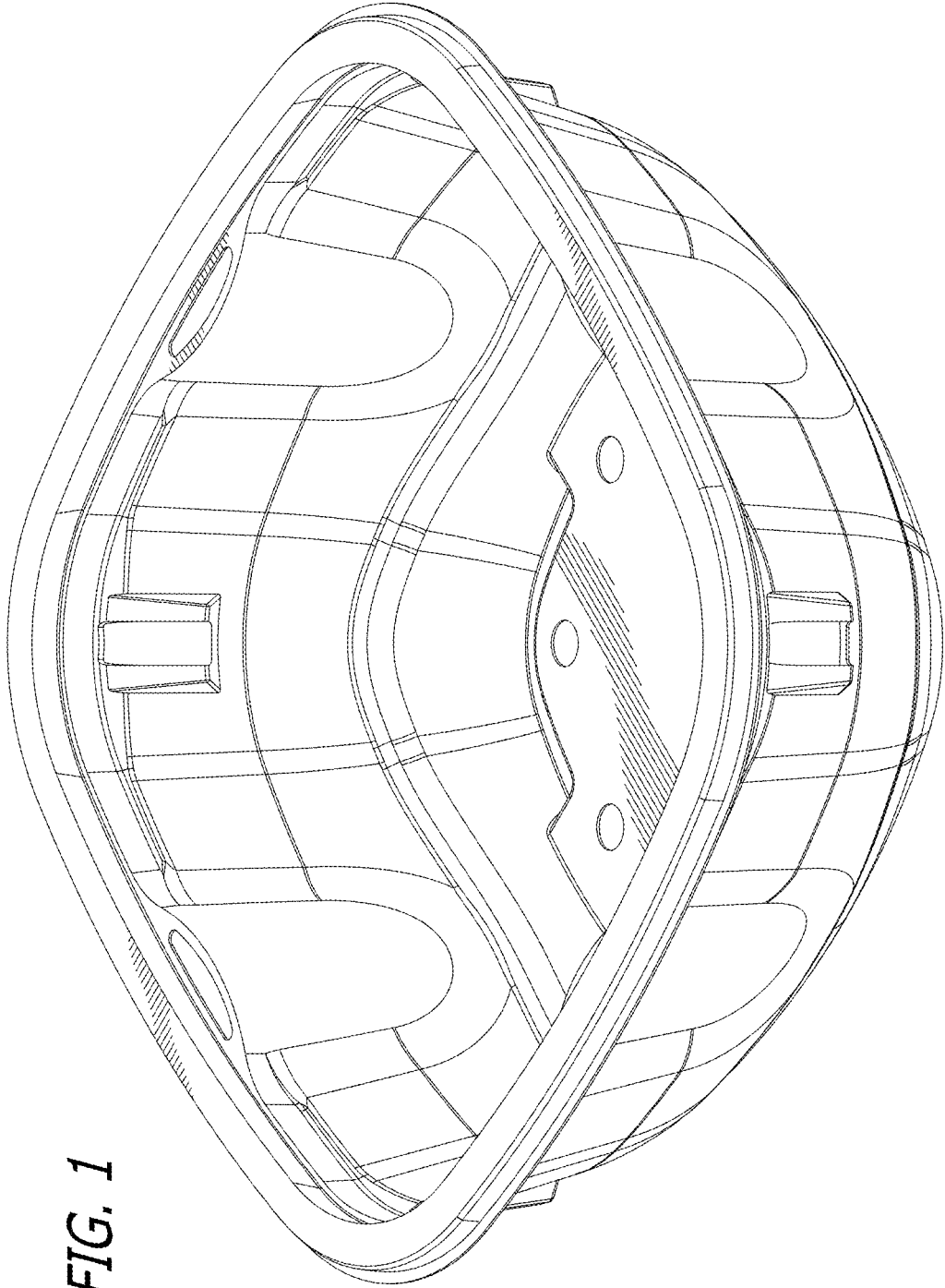


FIG. 1

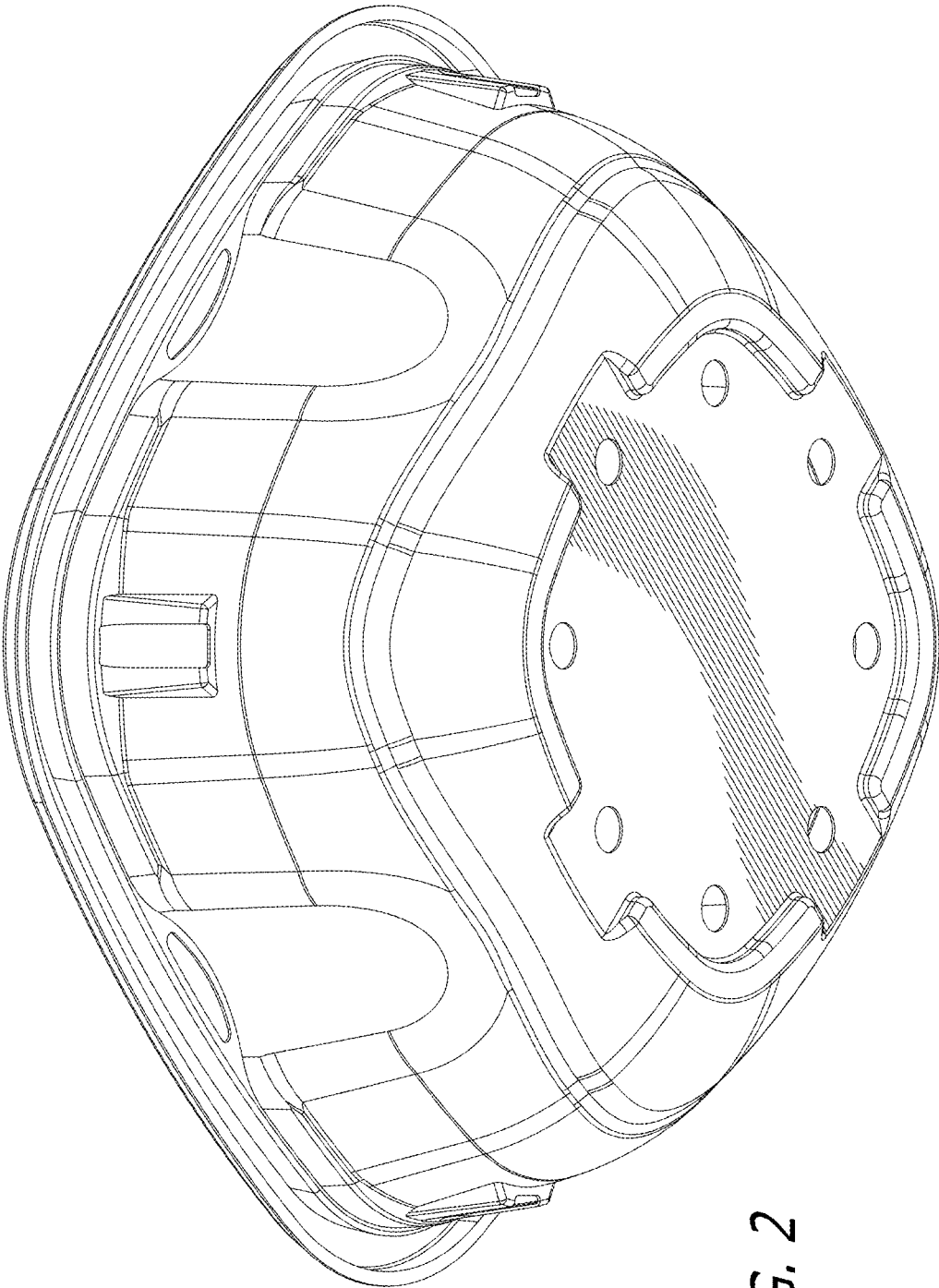


FIG. 2

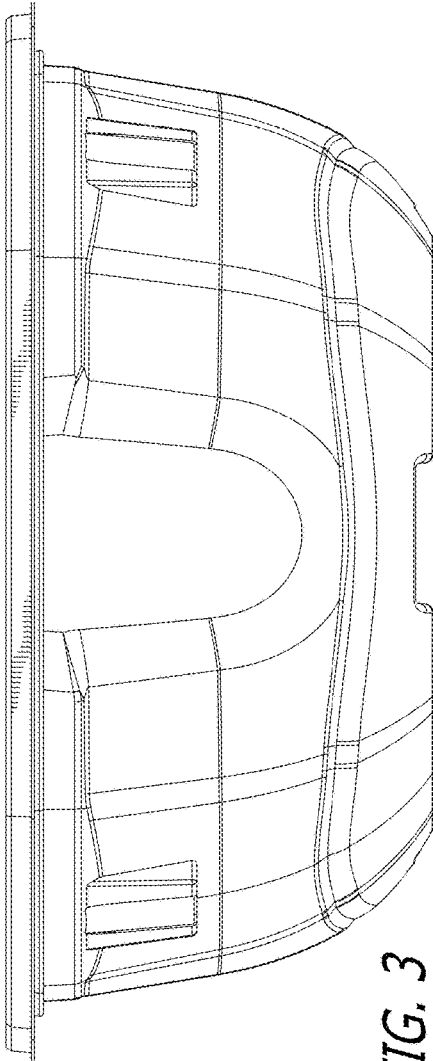


FIG. 3

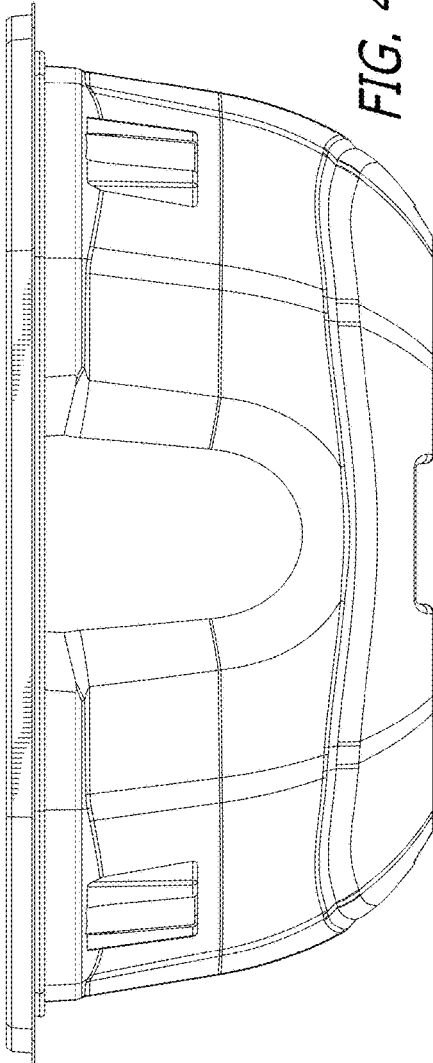


FIG. 4

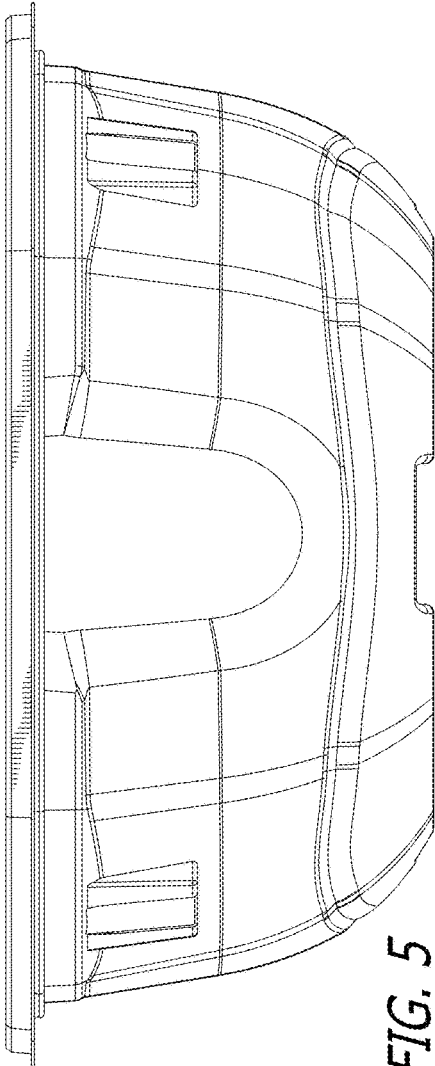


FIG. 5

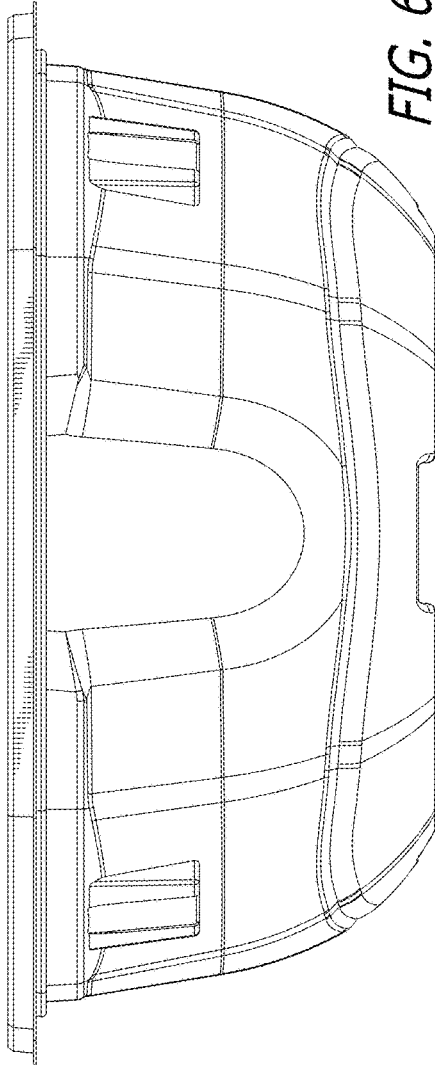


FIG. 6

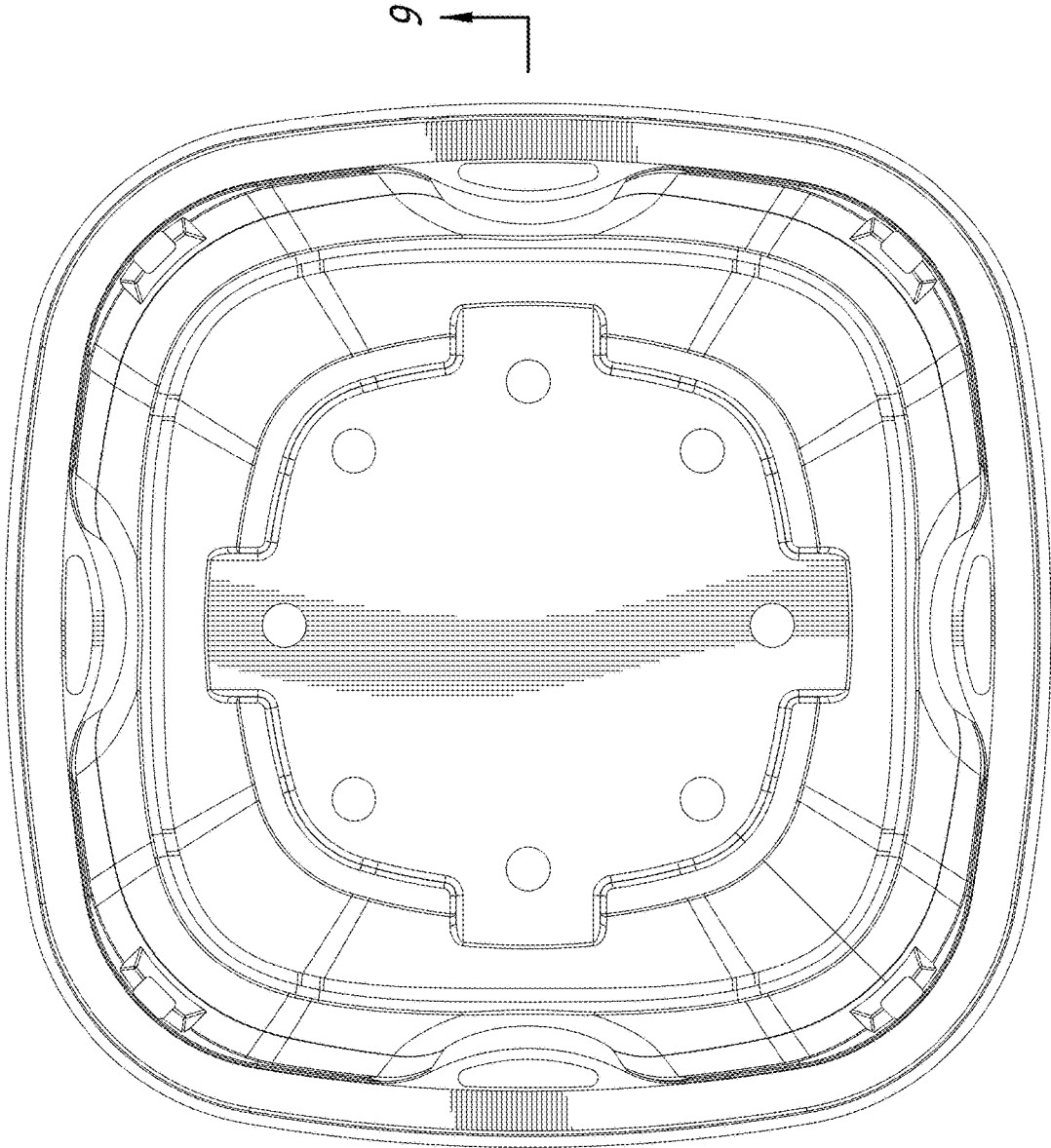


FIG. 7

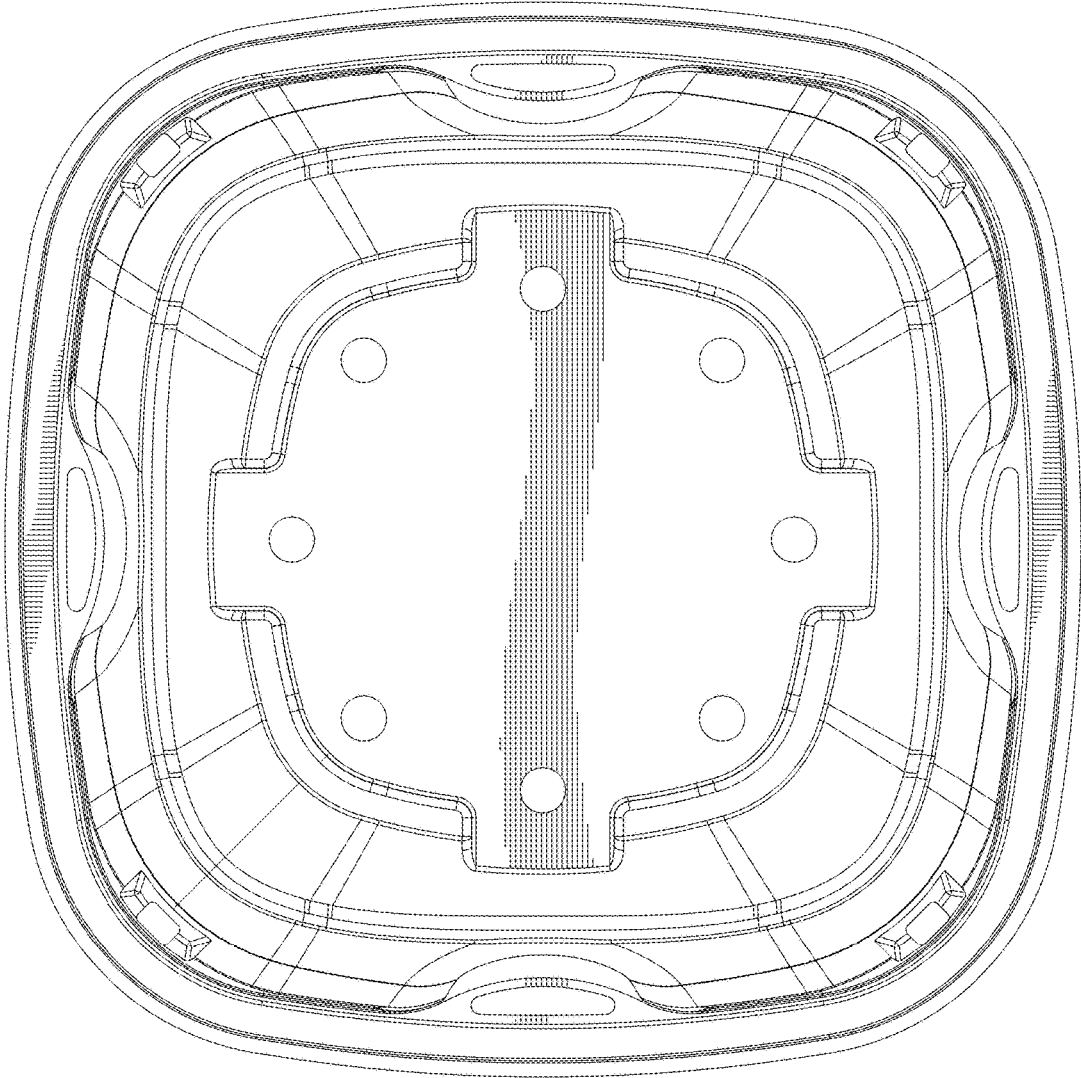


FIG. 8

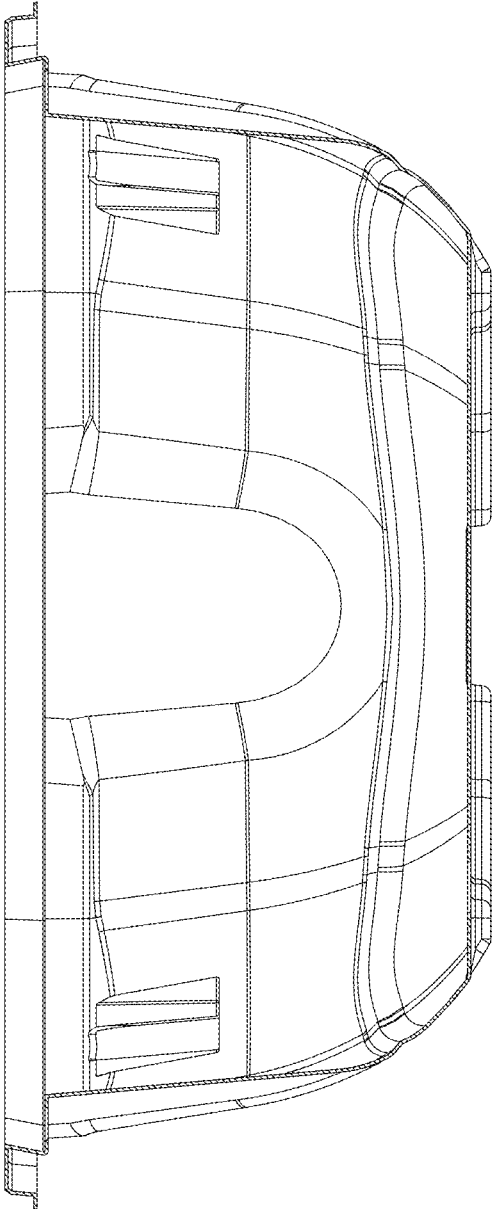


FIG. 9

FIG. 10

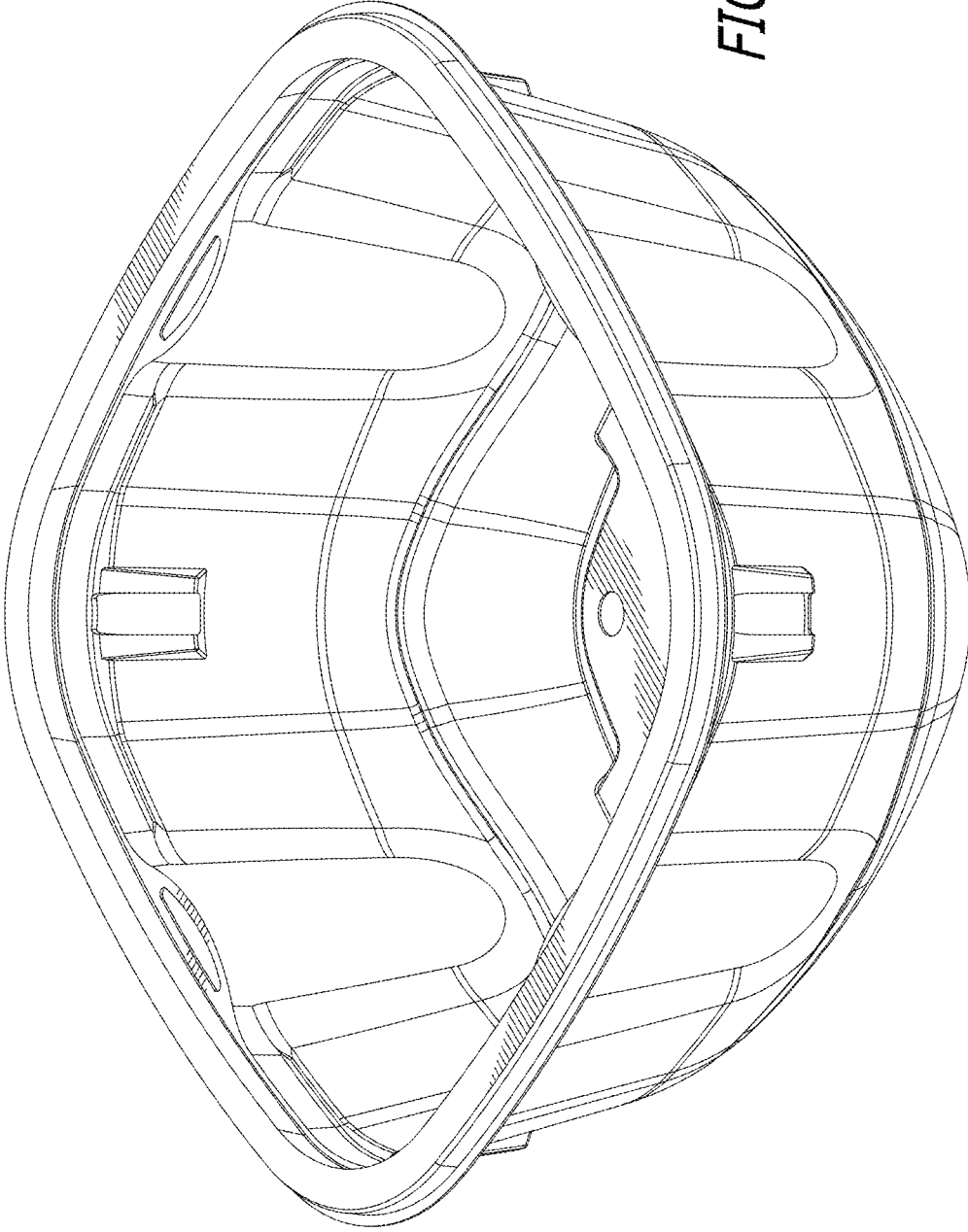
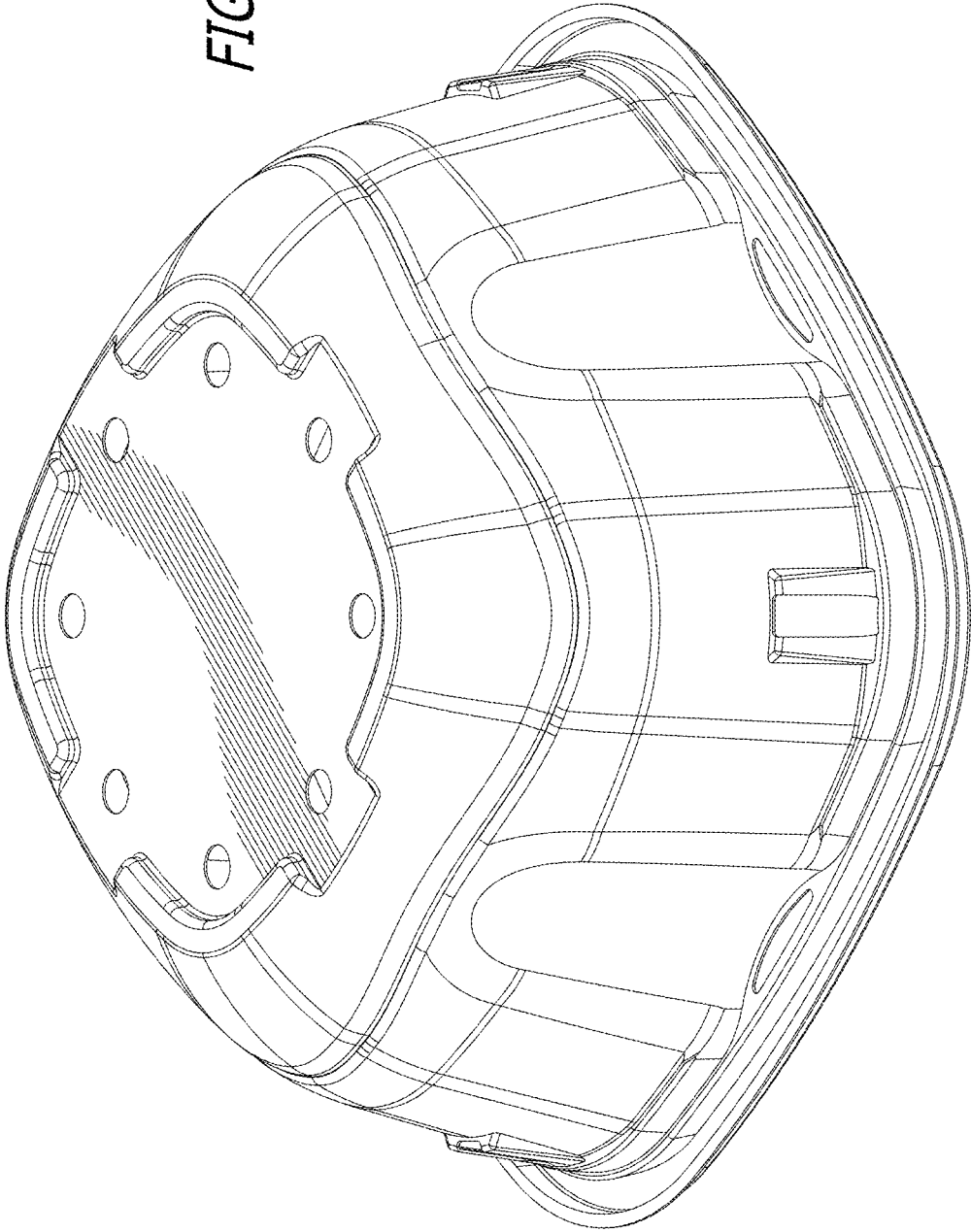


FIG. 11



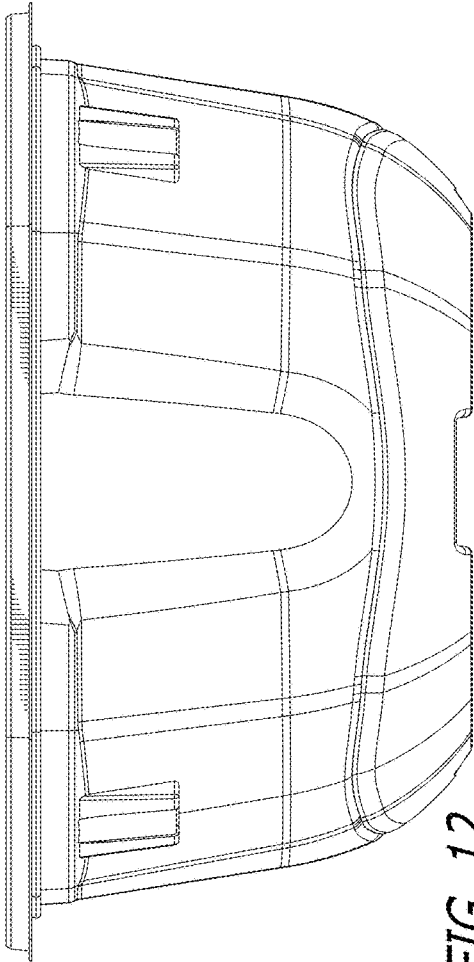


FIG. 12

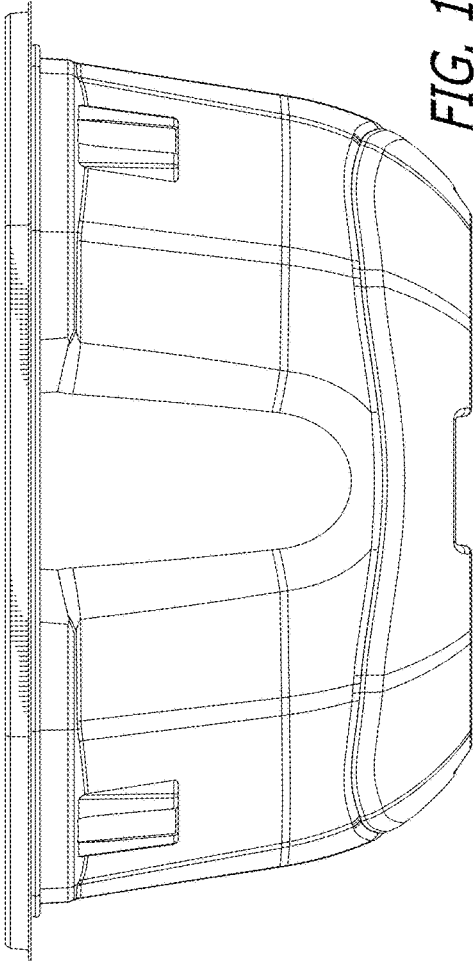


FIG. 13

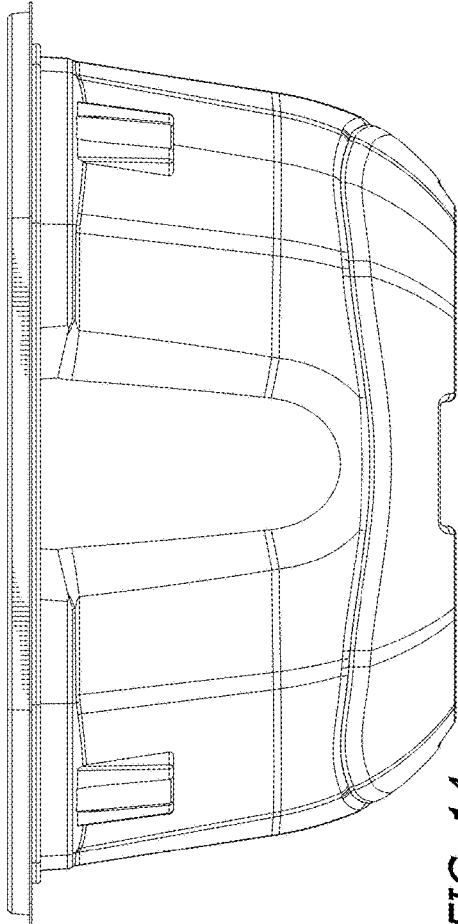


FIG. 14

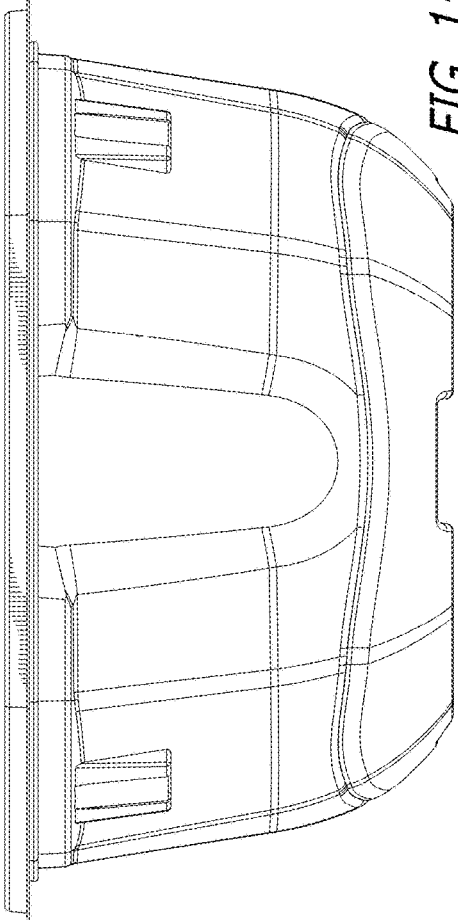


FIG. 15

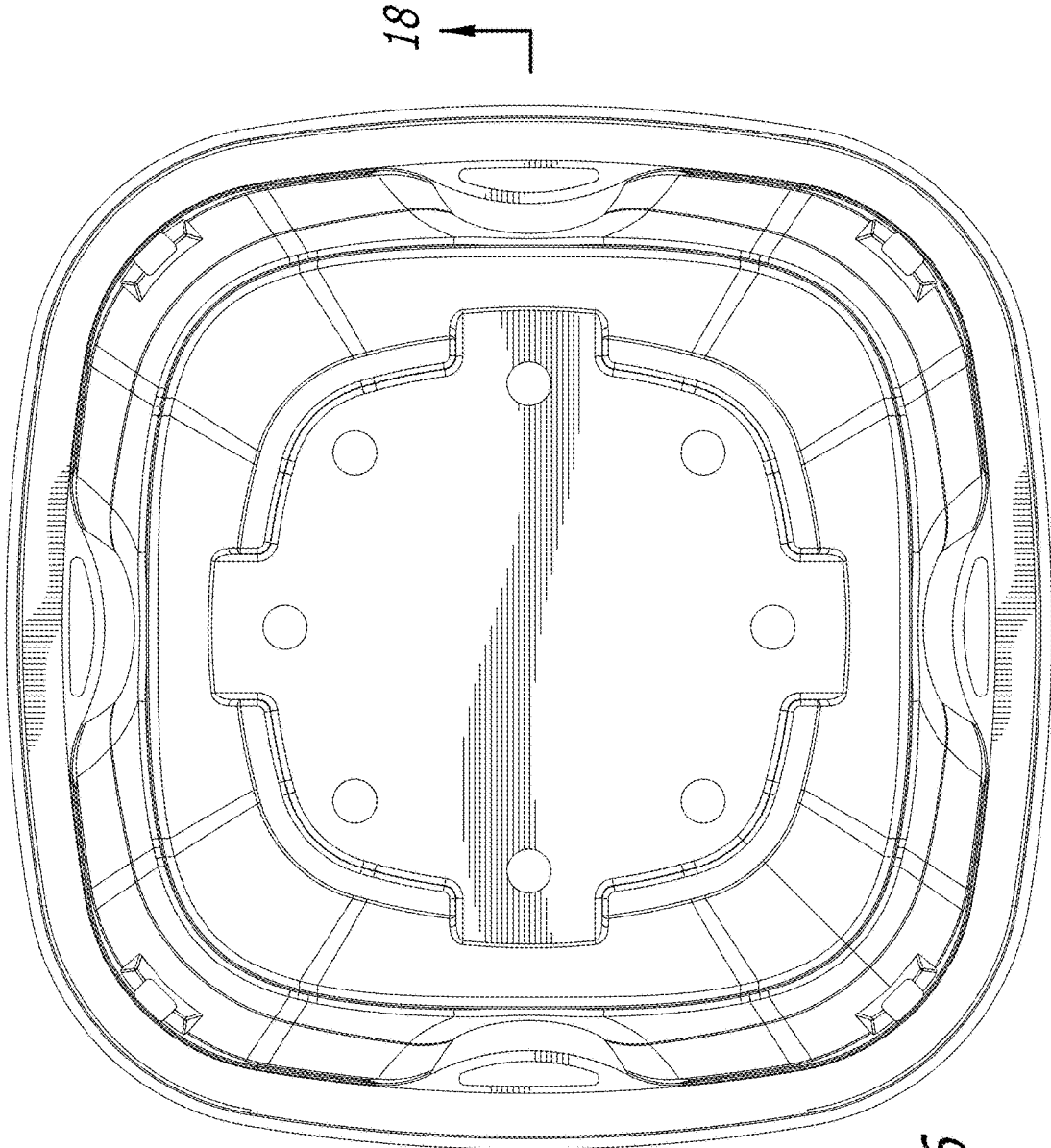


FIG. 16

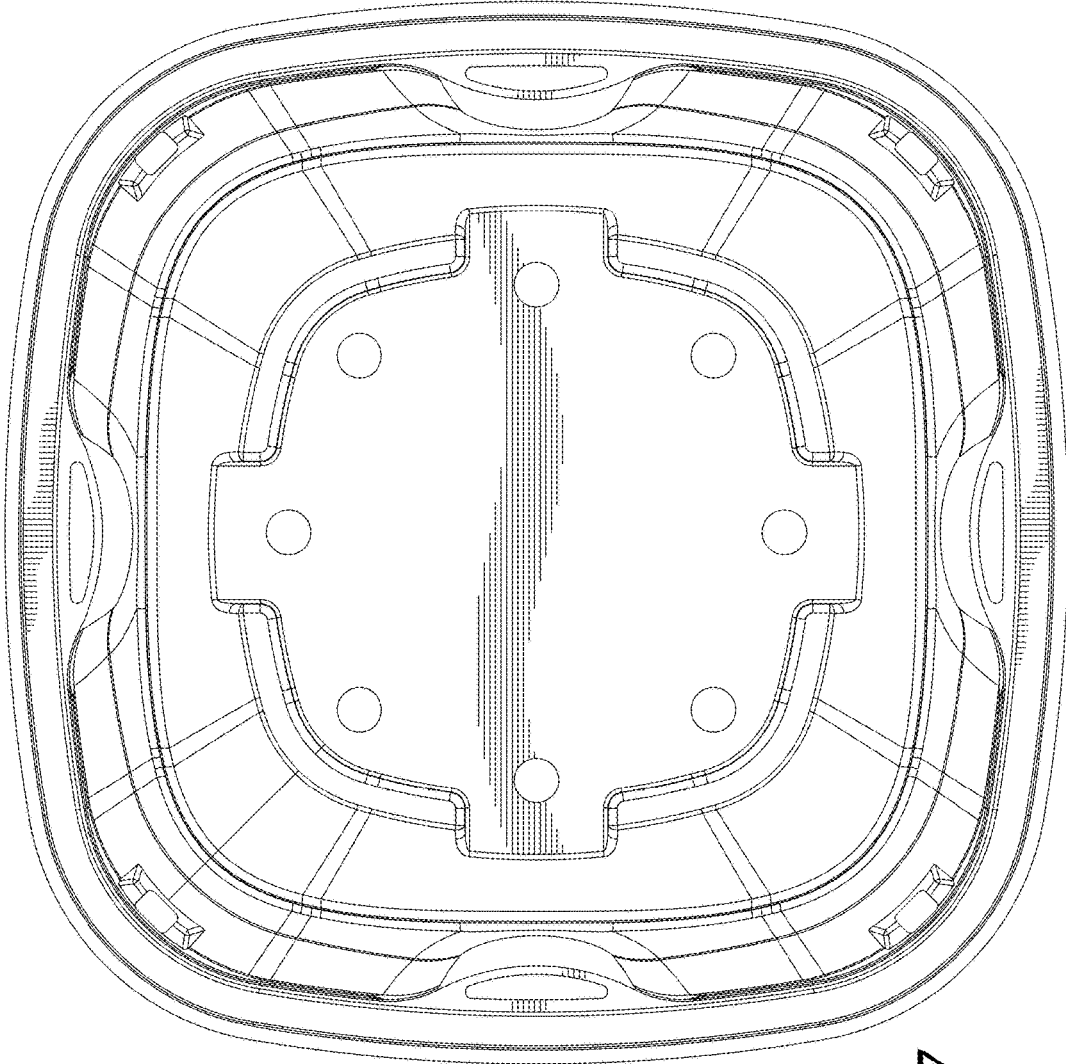


FIG. 17

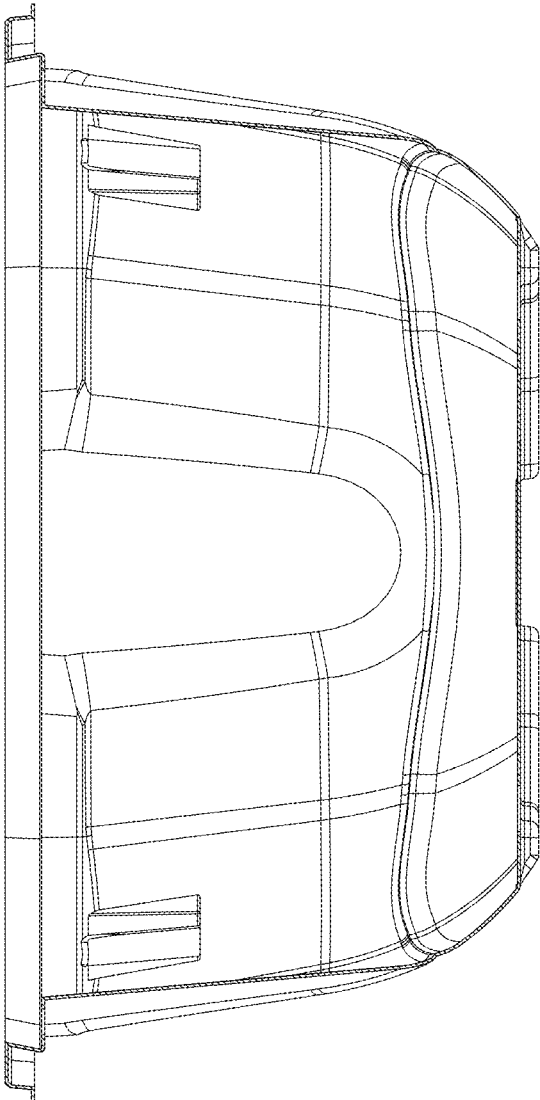
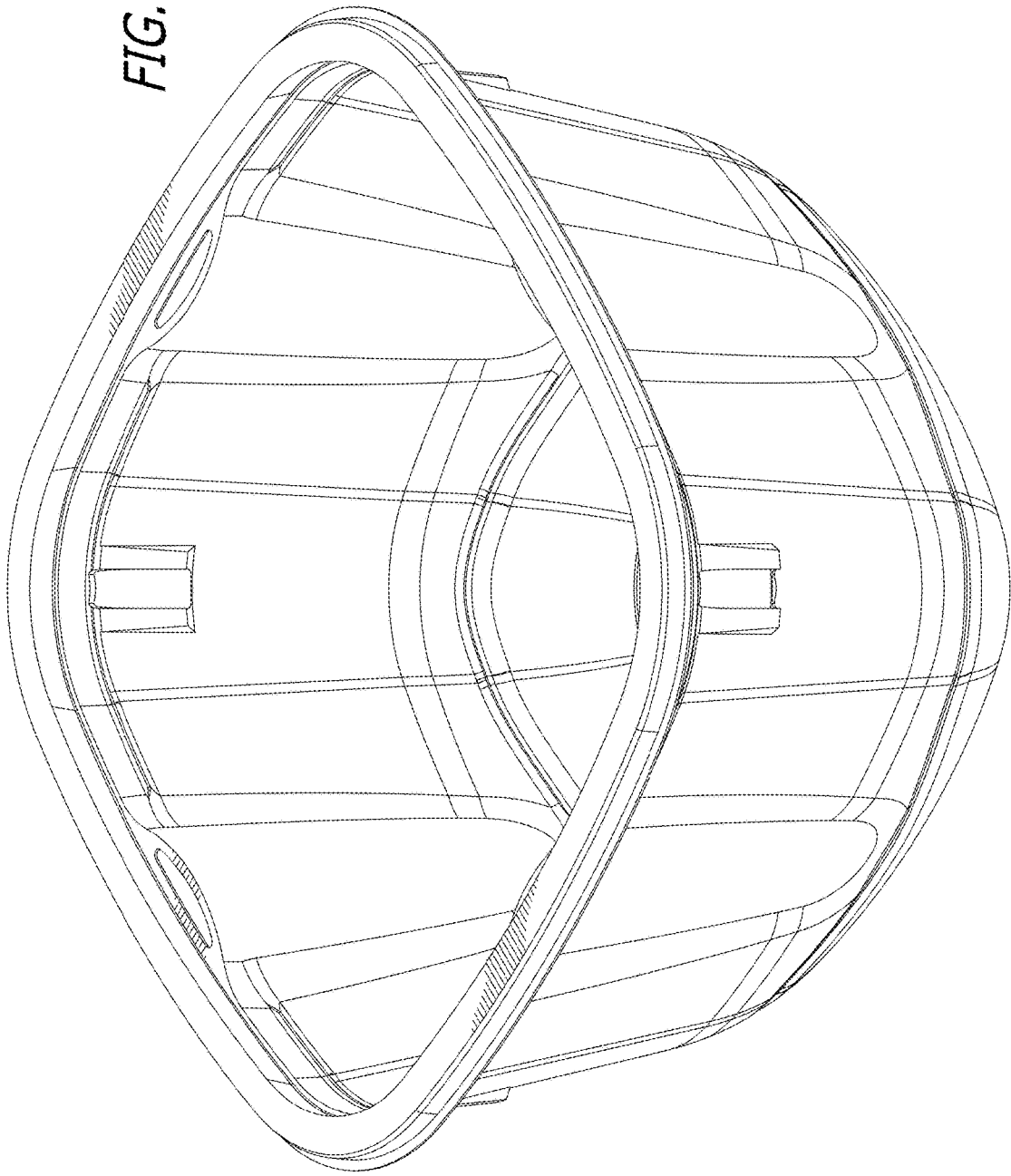


FIG. 18

FIG. 19



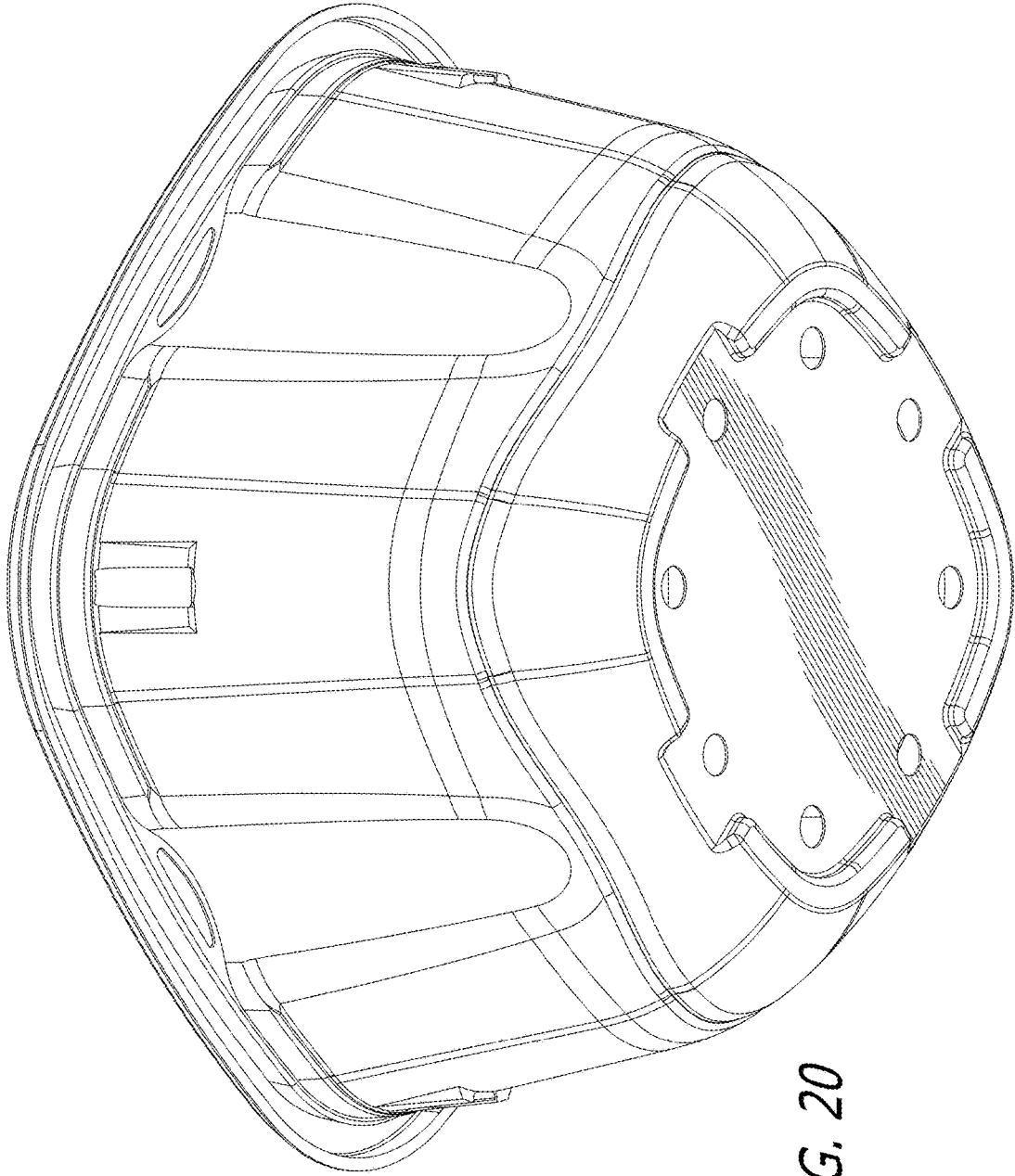


FIG. 20

FIG. 21

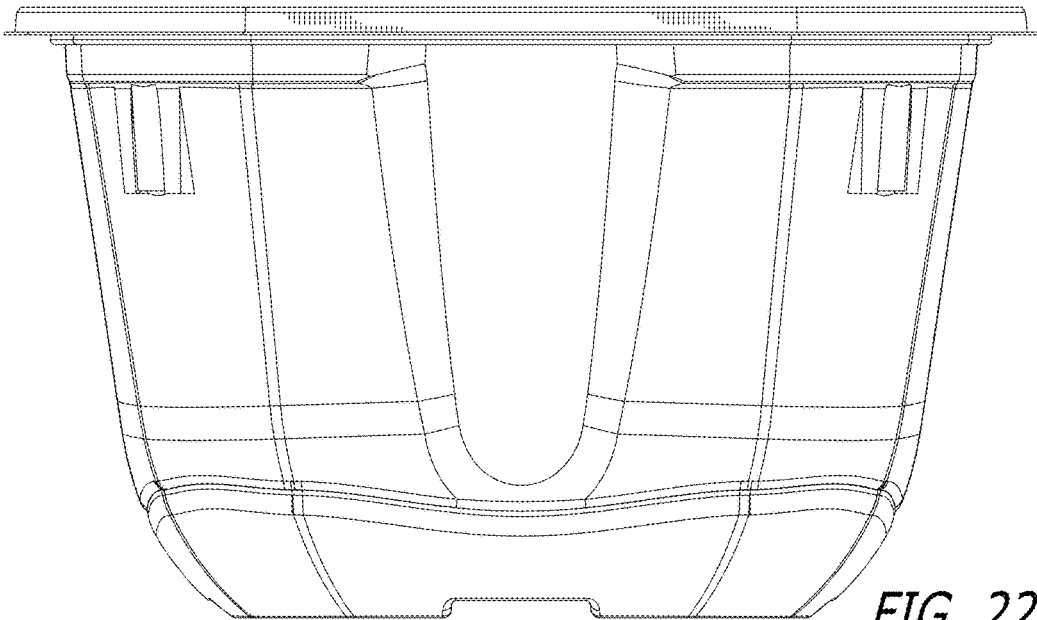
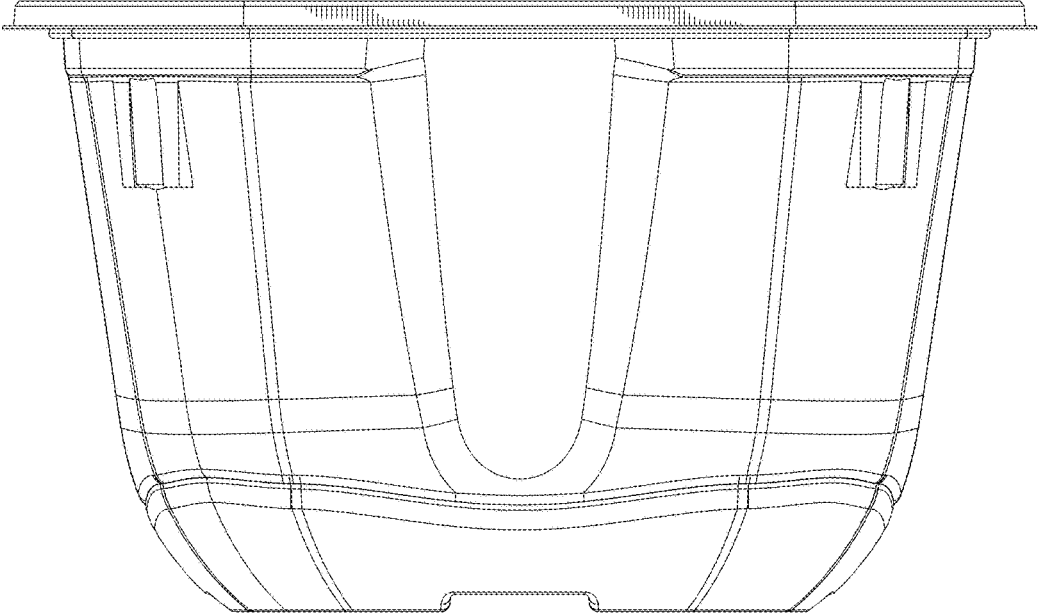


FIG. 22

FIG. 23

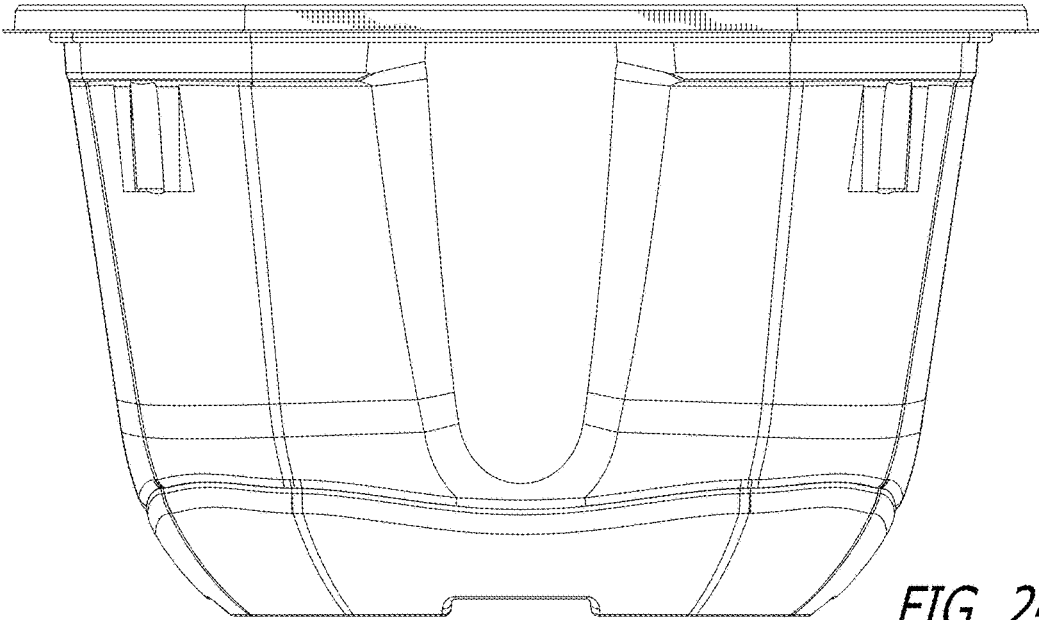
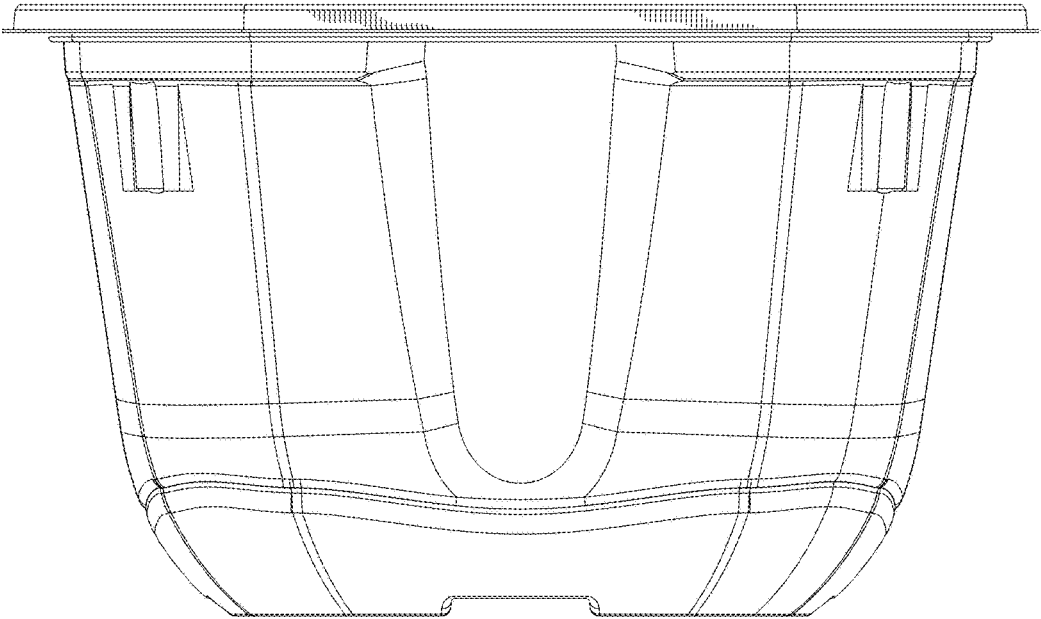


FIG. 24

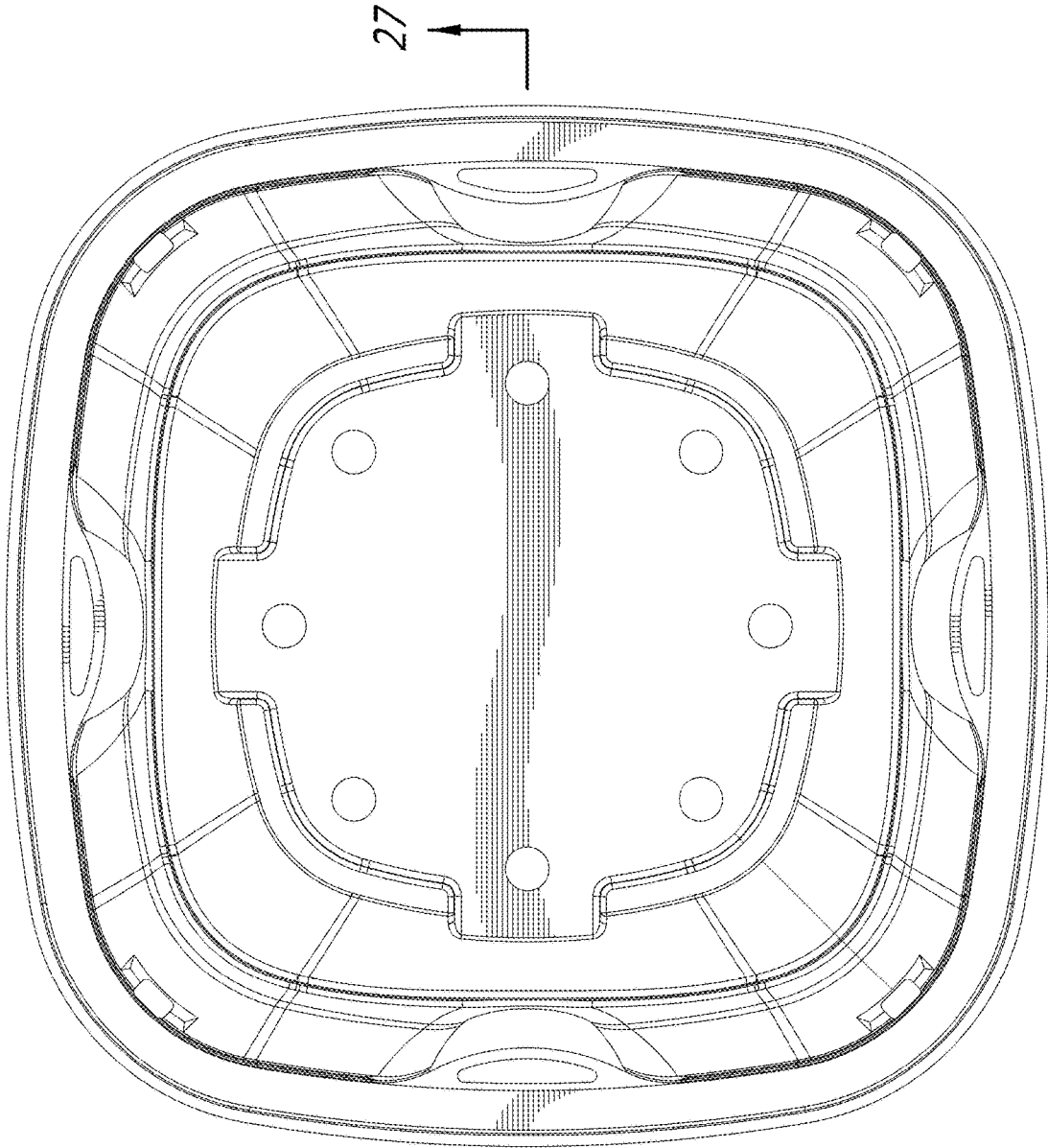
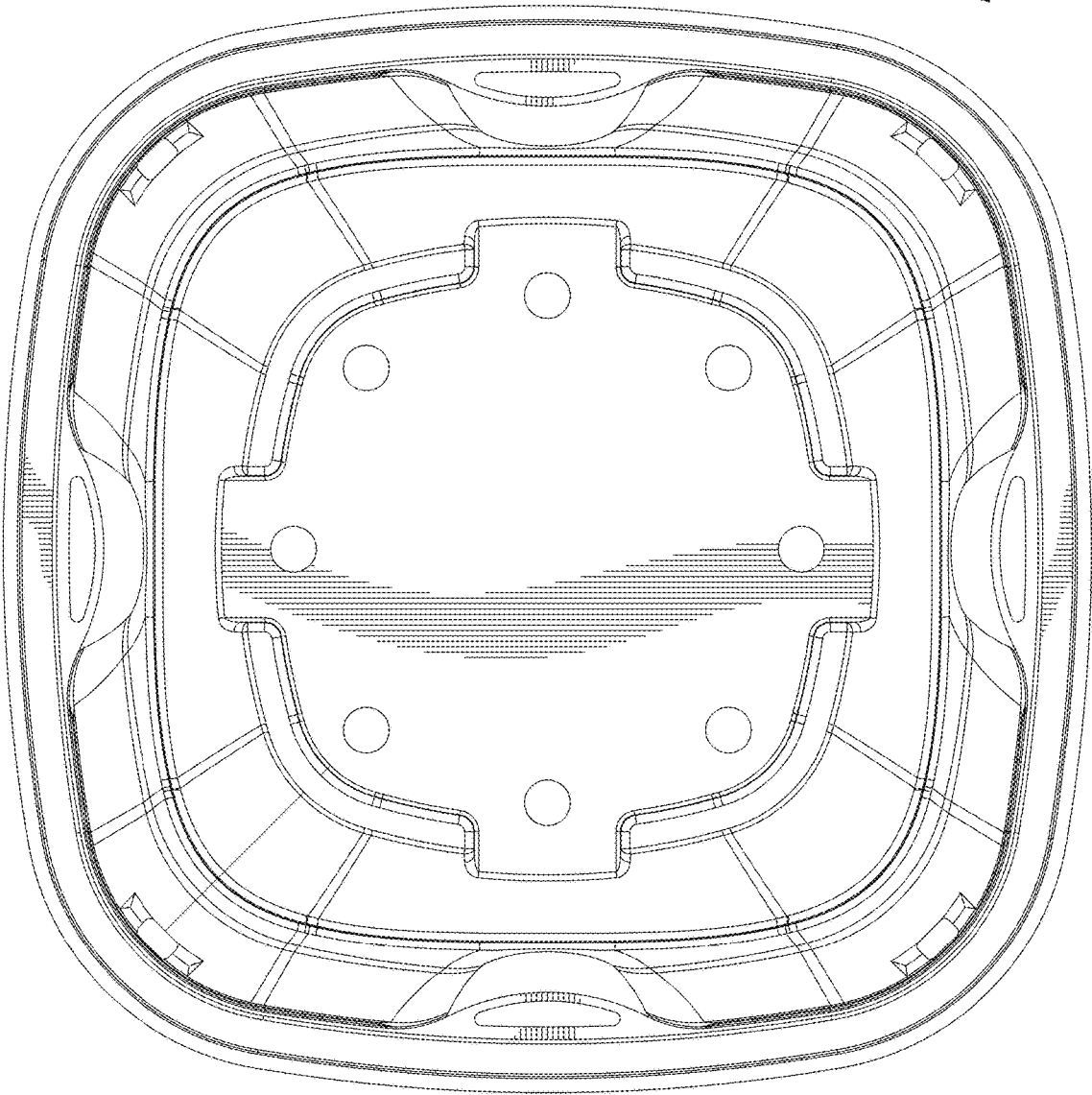


FIG. 25

FIG. 26



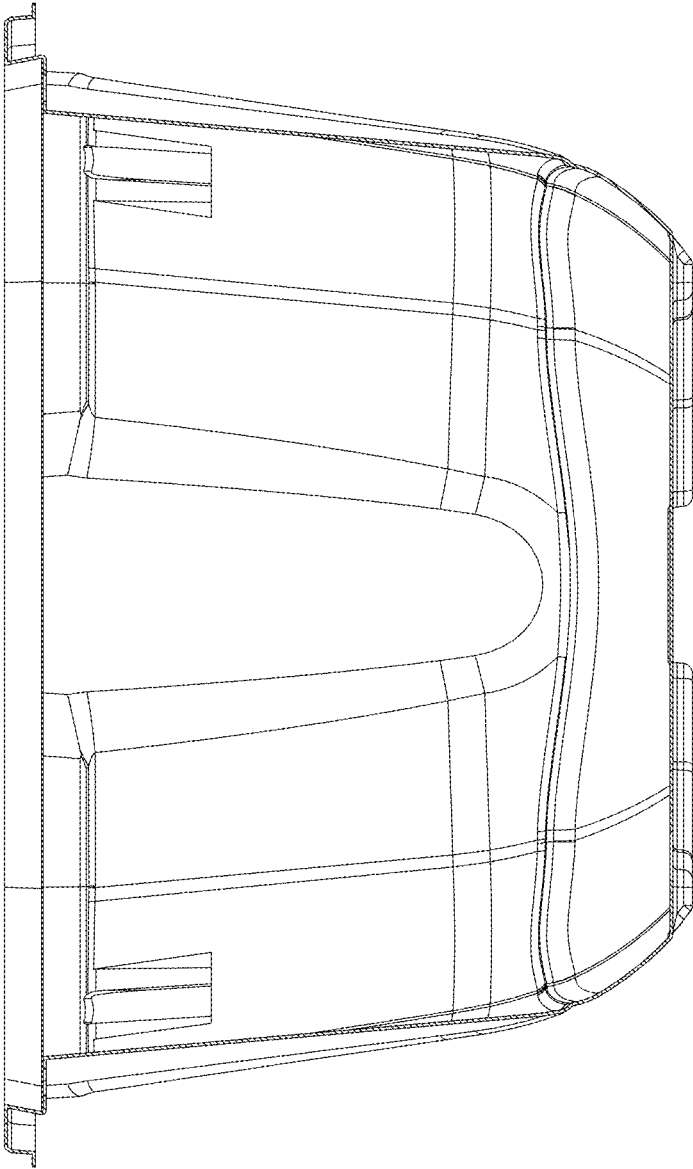


FIG. 27