



US00D996169S

(12) **United States Design Patent**
Bunch et al.

(10) **Patent No.:** **US D996,169 S**

(45) **Date of Patent:** **** Aug. 22, 2023**

(54) **TROWEL HANDLE**

Primary Examiner — Philip S Hyder

(71) Applicant: **Acuffloor, L.L.C.**, North Richland Hills, TX (US)

(74) *Attorney, Agent, or Firm* — Scott Griggs; Griggs Bergen LLP

(72) Inventors: **Clinton D. Bunch**, Keller, TX (US);
Joshua A. Bunch, Keller, TX (US)

(57) **CLAIM**

(73) Assignee: **Acuffloor, LLC**, North Richland Hills, TX (US)

The ornamental design for a trowel handle, as shown and described.

(**) Term: **15 Years**

(21) Appl. No.: **29/867,017**

DESCRIPTION

(22) Filed: **Oct. 5, 2022**

(51) **LOC (14) Cl.** **08-05**

(52) **U.S. Cl.**

USPC **D8/107**; D8/45

(58) **Field of Classification Search**

USPC D8/45, 14, 107, 300

CPC B25G 3/32; B25G 1/102; E04F 21/161;

Y10T 16/498; Y10T 16/48

See application file for complete search history.

The present application contains subject matter related to the following co-pending applications: (1) U.S. application Ser. No. 17/938,306 entitled “Hand Trowel and Hand Trowel Handle for Use With the Same” and filed on Oct. 5, 2022 in the names of Clinton D. Bunch et al.; (2) U.S. application Ser. No. 29/867,018 entitled “Trowel Handle” and filed on Oct. 5, 2022 in the names of Clinton D. Bunch et al.; and (3) U.S. application Ser. No. 29/867,019 entitled “Trowel Handle” and filed on Oct. 5, 2022 in the names of Clinton D. Bunch et al.; all of which are hereby incorporated by reference, in entirety, for all purposes.

FIG. 1 is a front perspective view of a trowel handle;

FIG. 2 is a side elevation view of the trowel handle shown in FIG. 1;

FIG. 3 is a side elevation view of the trowel handle shown in FIG. 1;

FIG. 4 is a top plan view of the trowel handle shown in FIG. 1;

FIG. 5 is a bottom plan view of the trowel handle as shown in FIG. 1;

FIG. 6 is a front elevation view of the trowel handle as shown in FIG. 1; and,

FIG. 7 is a rear elevation view of the trowel handle as shown in FIG. 1.

The dashed and dotted lines shown are provided for environmental purposes only and form no part of the claimed design.

(56) **References Cited**

U.S. PATENT DOCUMENTS

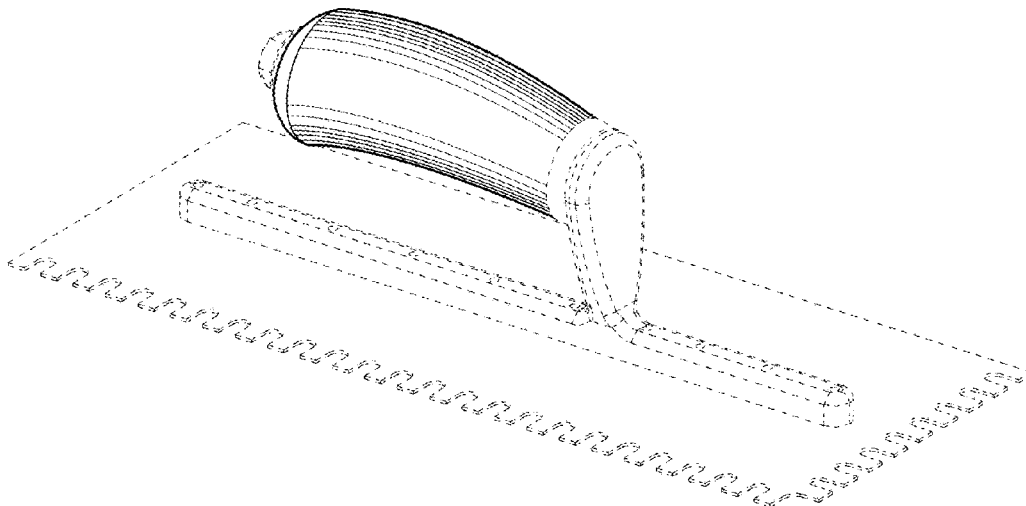
737,831 A	9/1903	Feraud	
747,036 A	12/1903	Bishop	
1,786,043 A	7/1927	Troutner	
2,076,836 A	4/1937	Goldblatt	
2,771,325 A	11/1956	Brunson	
3,095,594 A *	7/1963	Dornbos E04F 21/06 15/235.4
3,146,481 A	9/1964	Chiuchiarelli	
3,166,776 A	1/1965	Selck	
3,916,472 A	11/1975	Carder	

(Continued)

FOREIGN PATENT DOCUMENTS

AU	732071	4/2001
CA	2164065	10/2001
CN	2158902	3/1994

1 Claim, 2 Drawing Sheets



(56) **References Cited**

U.S. PATENT DOCUMENTS

4,467,492 A *	8/1984	Harrington	E04F 21/06 15/235.4	D561,548 S *	2/2008	Martin	B25G 3/08 D8/45
4,724,572 A	2/1988	Gringer			7,370,384 B2 *	5/2008	Miller	E04F 21/162 15/236.08
4,817,231 A	4/1989	Ocwieja			D588,426 S *	3/2009	Martin	E04F 21/06 D8/45
5,303,445 A	4/1994	Meyers			7,506,398 B2	3/2009	Martin		
5,327,612 A	7/1994	Kelsay			7,694,380 B1	4/2010	Meyers		
5,406,671 A	4/1995	Green			7,730,575 B2	6/2010	Huang		
5,446,941 A	9/1995	Kelsay			D625,572 S *	10/2010	Hoertnagl	B25G 3/36 D8/107
5,522,111 A *	6/1996	Kelsay	B25G 1/10 16/DIG. 18	8,151,404 B1 *	4/2012	Gundlach	B25G 3/32 15/235.4
5,547,240 A	8/1996	Hartshorn et al.			8,434,188 B1 *	5/2013	Jimenez	E04F 21/16 15/245.1
5,713,096 A	2/1998	Kelsay et al.			2003/0084545 A1	5/2003	Cheng		
6,018,841 A *	2/2000	Kelsay	B25G 3/08 15/235.4	2005/0235447 A1 *	10/2005	Wang	E04F 21/161 15/235.4
6,178,586 B1 *	1/2001	Jafarmadar	E04F 21/06 15/235.4	2007/0163067 A1 *	7/2007	Huang	B25G 3/32 15/235.4
6,223,384 B1	5/2001	Kuhlen			2015/0143650 A1 *	5/2015	Davidian	E04F 21/163 15/144.1
6,247,204 B1	6/2001	Hamby et al.			2017/0073983 A1 *	3/2017	Freudenreich	E04F 21/06
D519,012 S	4/2006	Miller			2022/0298809 A1 *	9/2022	Bongiovanni	B25G 3/36
D557,578 S *	12/2007	Miller	D8/45					

* cited by examiner

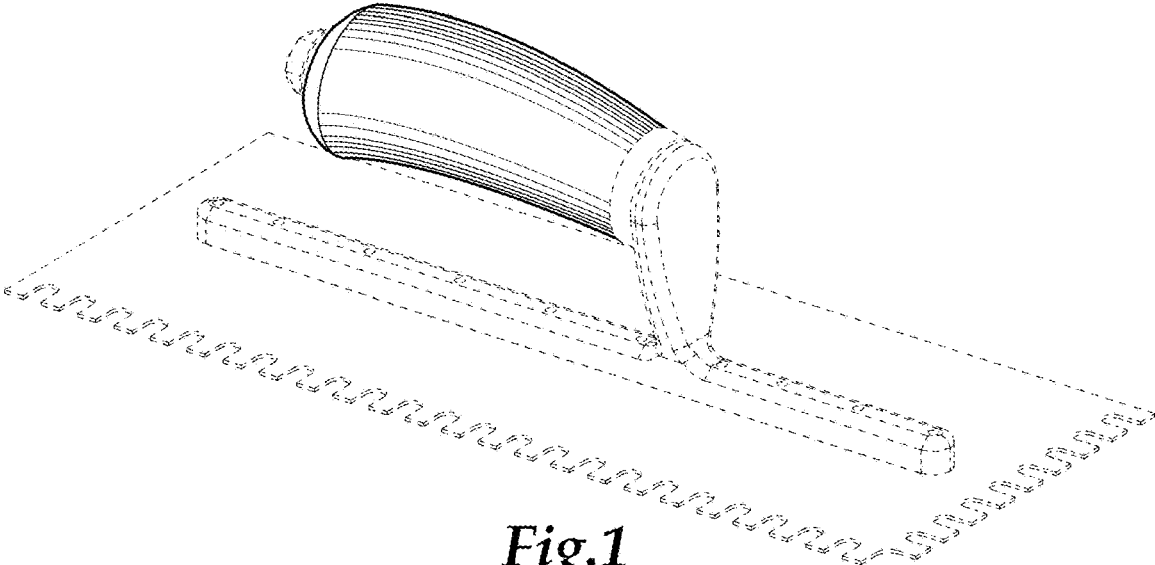


Fig.1

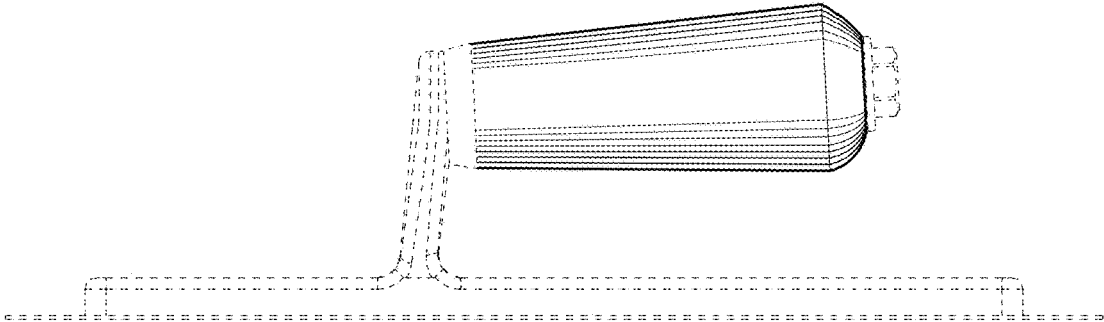


Fig.2

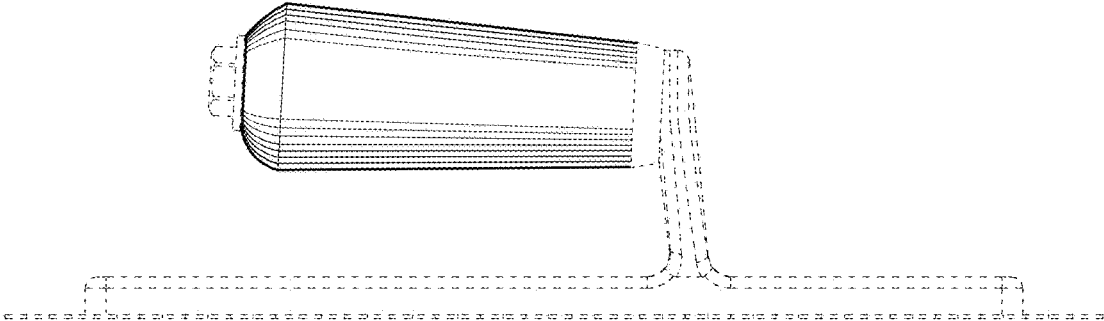


Fig.3

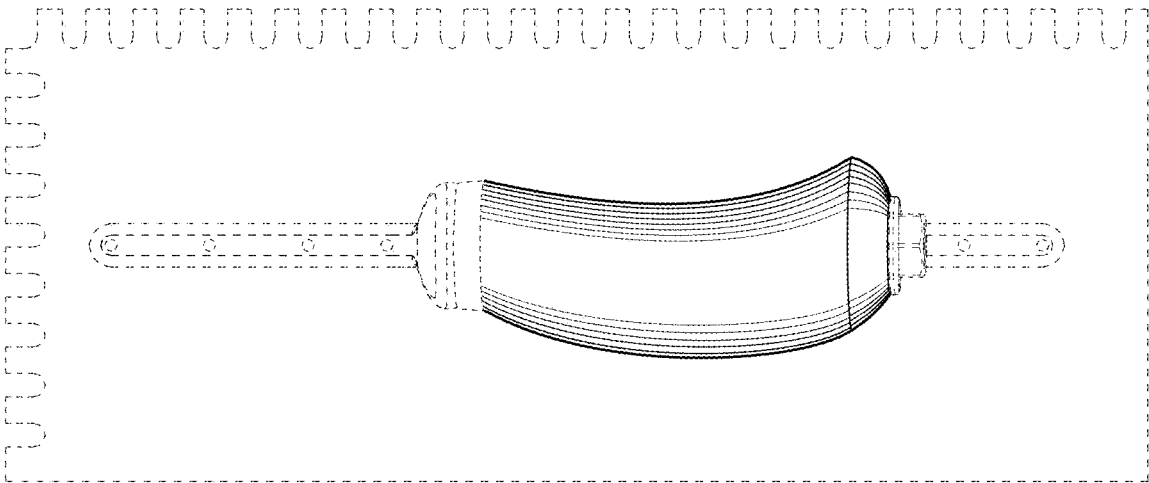


Fig.4

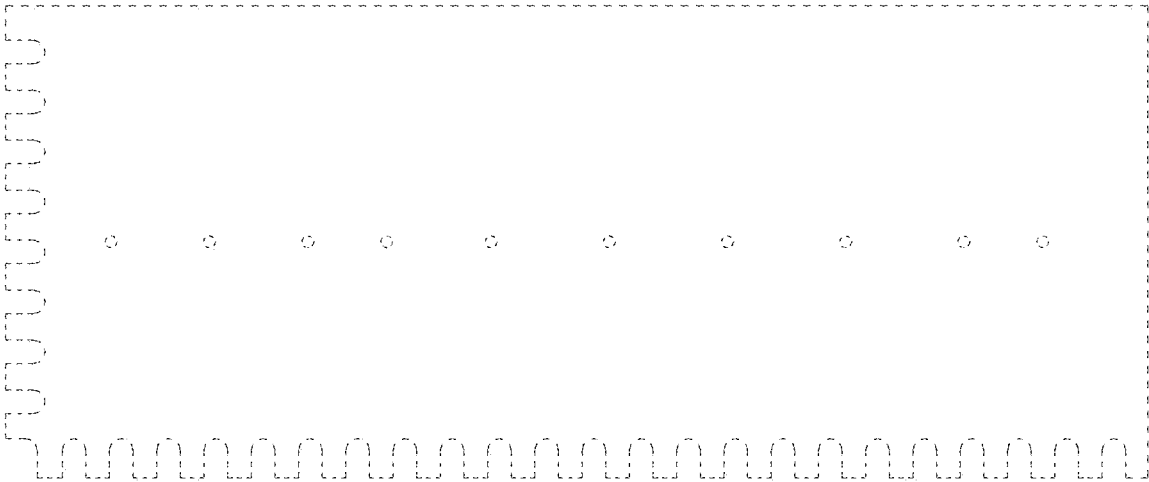


Fig.5

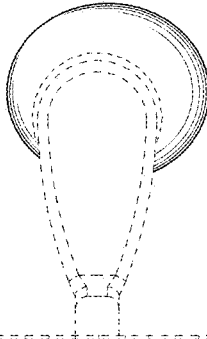


Fig.6

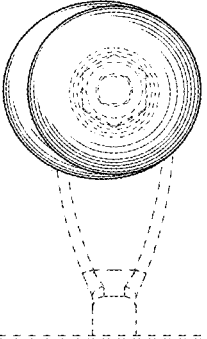


Fig.7