



(12) **United States Design Patent**
Ruttan

(10) **Patent No.:** **US D796,145 S**
(45) **Date of Patent:** **** Aug. 29, 2017**

(54) **TROLLEY**

(57) **CLAIM**

The ornamental design for a trolley, as shown and described.

(71) Applicant: **THE FROZEN TROLLEY INC.,**
Baden (CA)

DESCRIPTION

(72) Inventor: **Gina Ruttan,** Baden (CA)

(73) Assignee: **THE FROZEN TROLLEY INC.,**
Baden, Ontario (CA)

FIG. 1 illustrates a rear right perspective view of a trolley showing my new design, shown in a folded position; FIG. 2 illustrates a front left perspective view of the trolley with extending panels in a folded position; FIG. 3 illustrates a rear elevation view of the trolley with extending panels in a folded position; FIG. 4 illustrates a front elevation view of the trolley with extending panels in a folded position; FIG. 5 illustrates a right side plan view of the trolley with extending panels in a folded position; FIG. 6 illustrates a left side plan view of the trolley with extending panels in a folded position; FIG. 7 illustrates a top view of the trolley with extending panels in a folded position; FIG. 8 illustrates a bottom view of the trolley with extending panels in a folded position; FIG. 9 illustrates a rear right perspective view of the trolley with extending panels in an extended position; FIG. 10 illustrates a front left perspective view of the trolley with extending panels in an extended position; FIG. 11 illustrates a rear elevation view of the trolley with extending panels in an extended position; FIG. 12 illustrates a front elevation view of the trolley with extending panels in an extended position; FIG. 13 illustrates a right side plan view of the trolley with extending panels in an extended position; FIG. 14 illustrates a left side plan view of the trolley with extending panels in an extended position; FIG. 15 illustrates a top view of the trolley with extending panels in an extended position; and, FIG. 16 illustrates a bottom view of the trolley with extending panels in an extended position.

(**) Term: **15 Years**

(21) Appl. No.: **29/562,180**

(22) Filed: **Apr. 22, 2016**

(51) **LOC (10) Cl.** **12-02**

(52) **U.S. Cl.** **D34/19**
USPC

(58) **Field of Classification Search**
USPC D34/12-27; 280/79.11, 47.35, 47.19,
280/79.2, 79.3

CPC B62B 3/002; A47B 31/00; A47B 57/06;
A47B 97/00; A47B 2031/003

See application file for complete search history.

(56) **References Cited**

U.S. PATENT DOCUMENTS

D137,977 S *	5/1944	Baunach	D34/20
D182,926 S *	5/1958	Roeder	280/47.19
D188,315 S *	7/1960	Frick	296/22
D188,845 S *	9/1960	Willey	D24/234
D211,716 S *	7/1968	Roloson	D34/19
D219,913 S *	2/1971	Malm et al.	D3/905
3,877,744 A *	4/1975	Miller	B62B 3/006
				108/38
D239,490 S *	4/1976	Pellegrini	D15/83

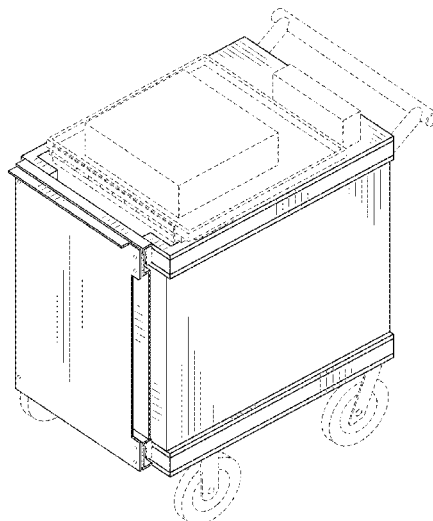
(Continued)

Primary Examiner — Cynthia Ramirez

(74) *Attorney, Agent, or Firm* — Tai W. Nahm; Miller Thomson LLP

The broken lines shown in the figures are included for the purpose of illustrating portions of the trolley and form no part of the claimed design.

1 Claim, 10 Drawing Sheets



(56)

References Cited

U.S. PATENT DOCUMENTS

D265,434	S	*	7/1982	Phillips	D34/18
D355,517	S	*	2/1995	Campbell	D34/19
D489,507	S	*	5/2004	Hahn	D15/141
D598,622	S	*	8/2009	Wise	D34/19
D621,569	S	*	8/2010	Linnell, Jr.	D34/19
D703,904	S	*	4/2014	Knoll	D34/20
D707,912	S	*	6/2014	Koehler	D34/19
D708,809	S	*	7/2014	Maddux	D34/19
D758,688	S	*	6/2016	Nai	D34/12

* cited by examiner

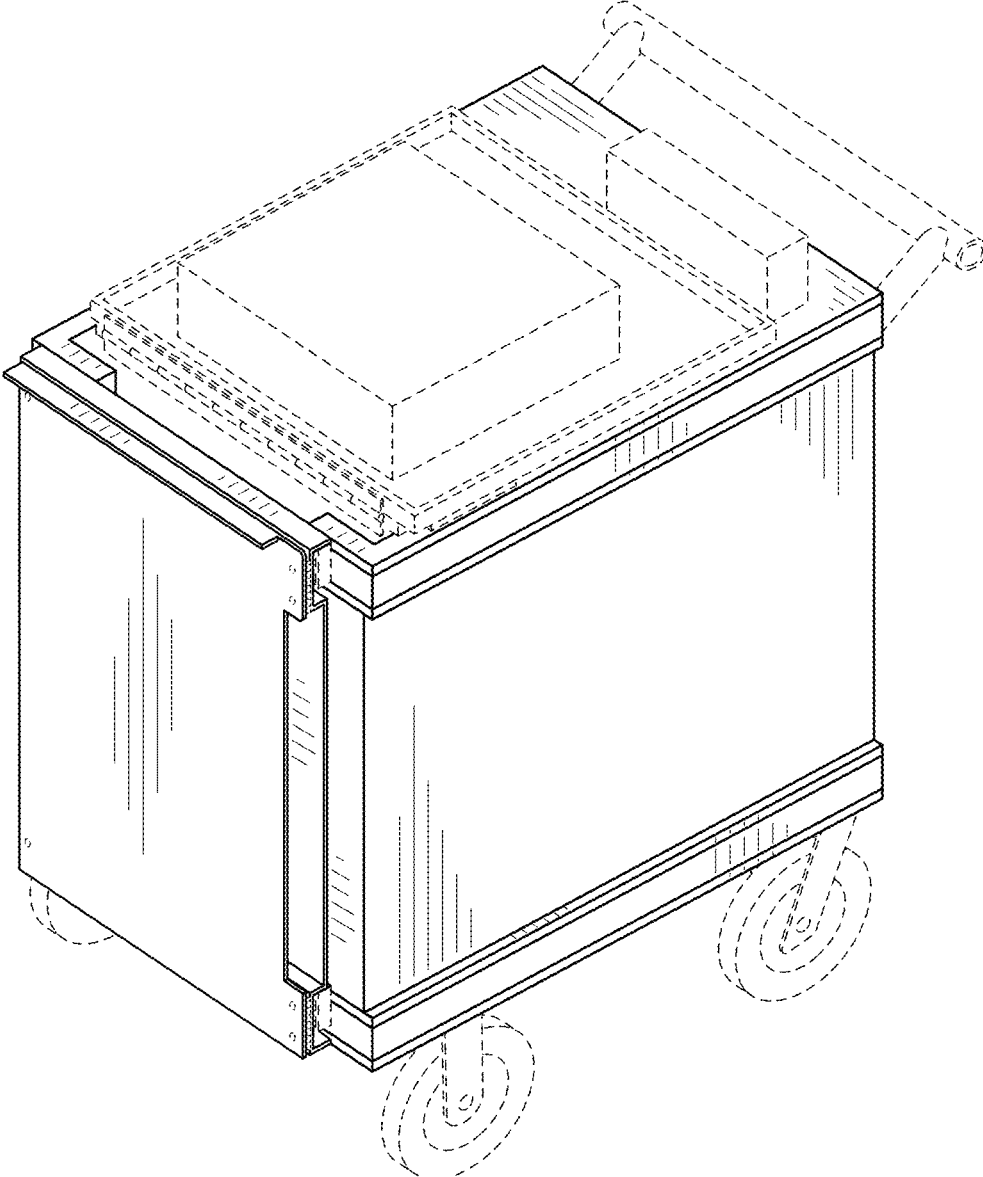


FIG. 1

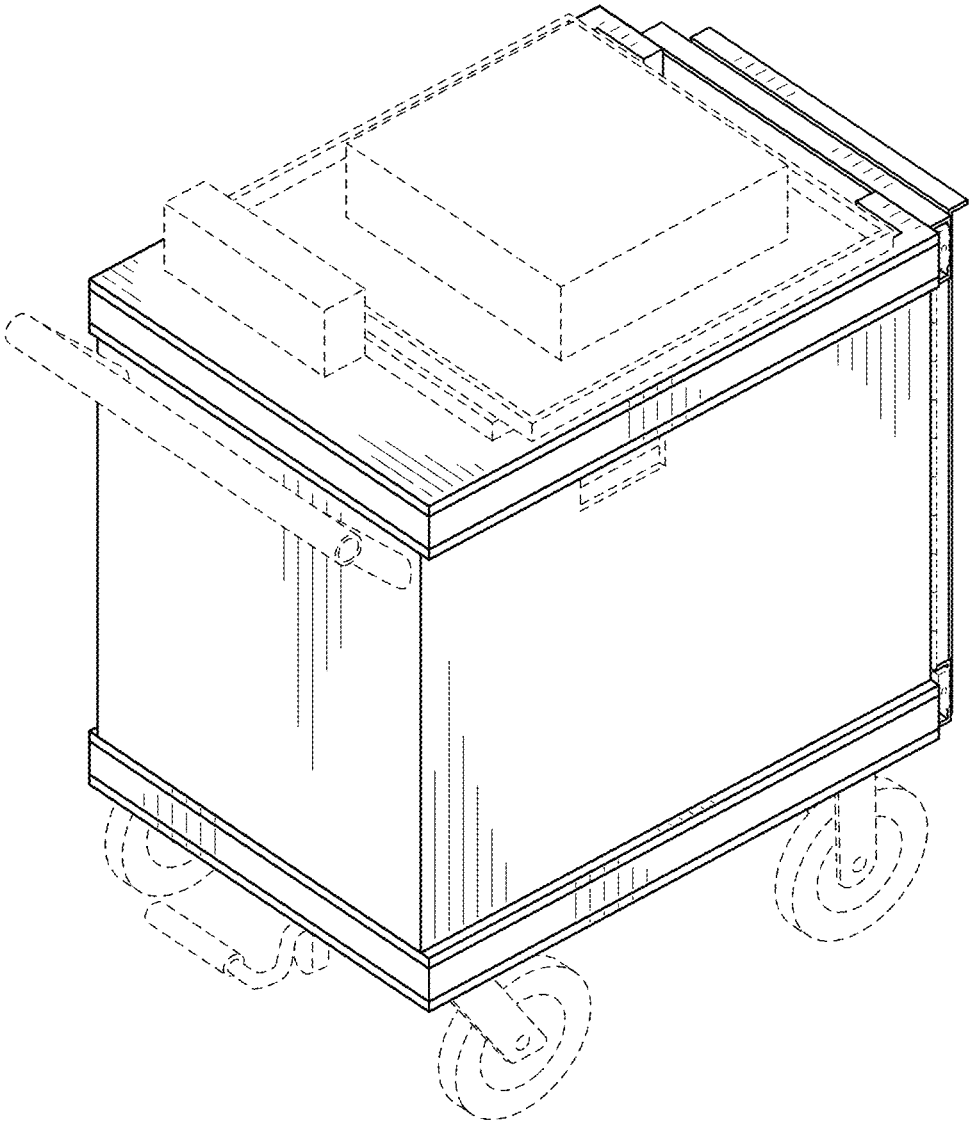


FIG. 2

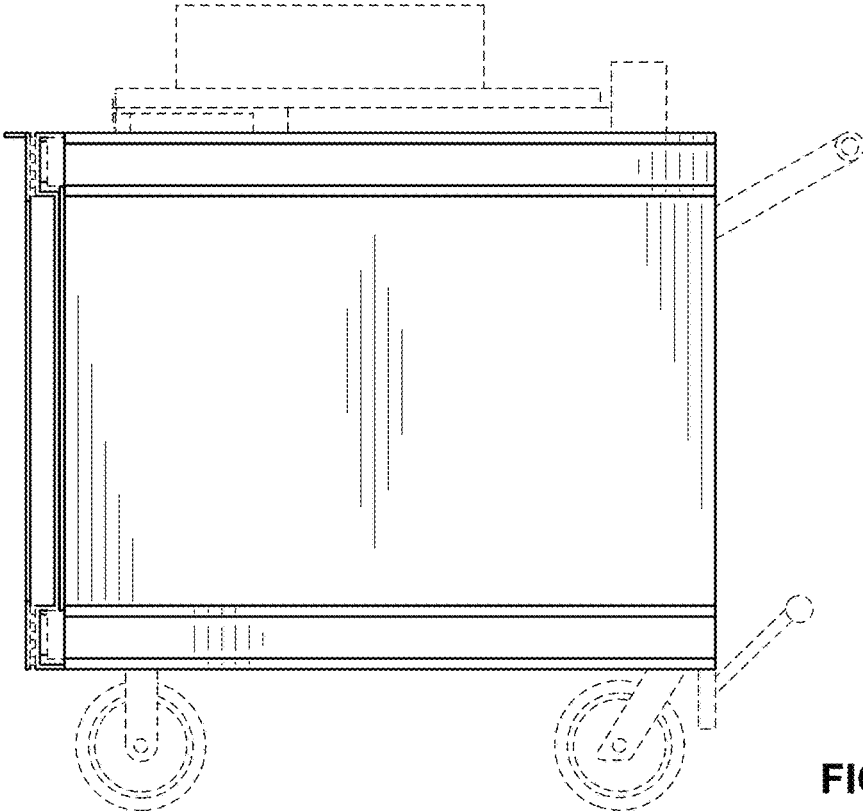


FIG. 3

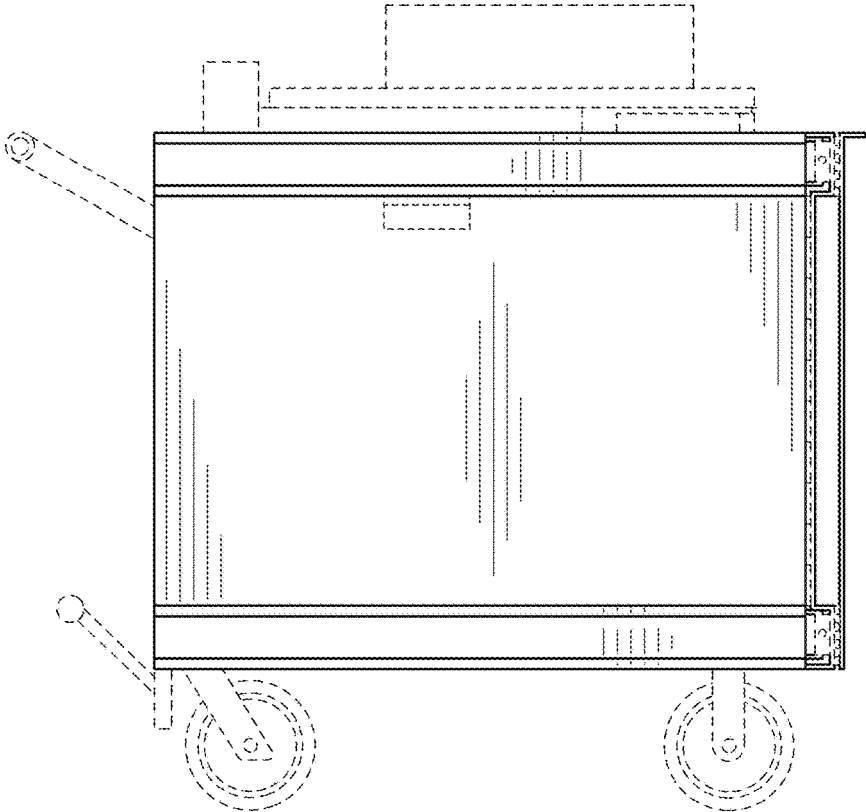


FIG. 4

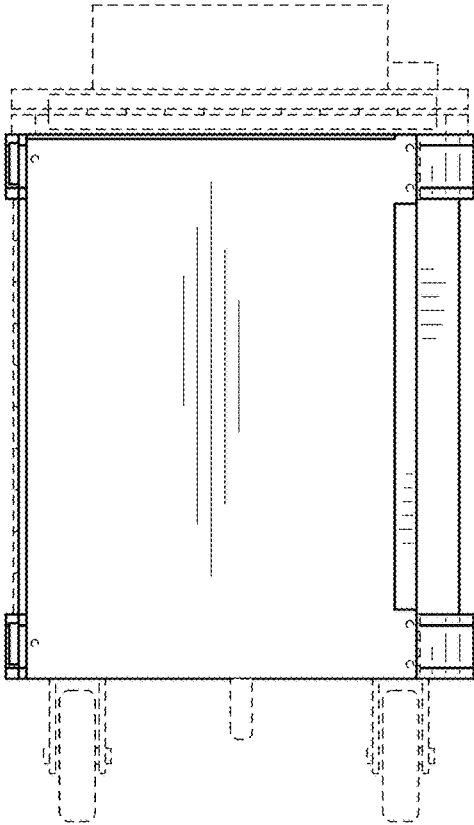


FIG. 5

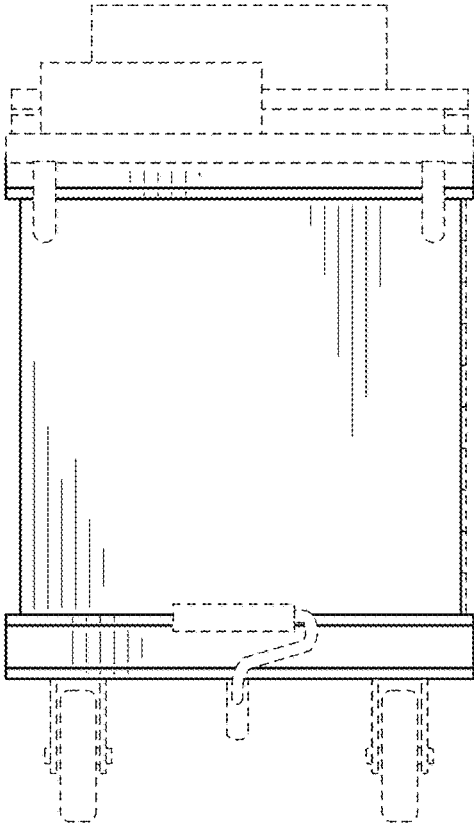


FIG. 6

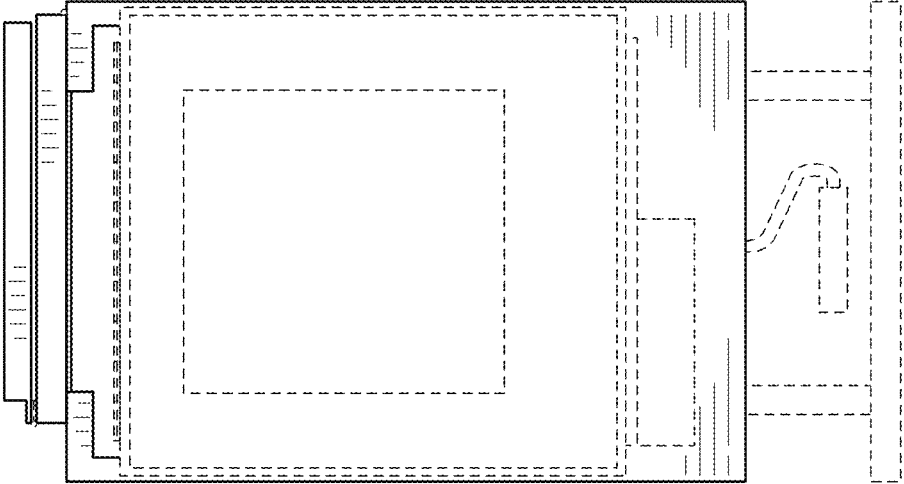


FIG. 7

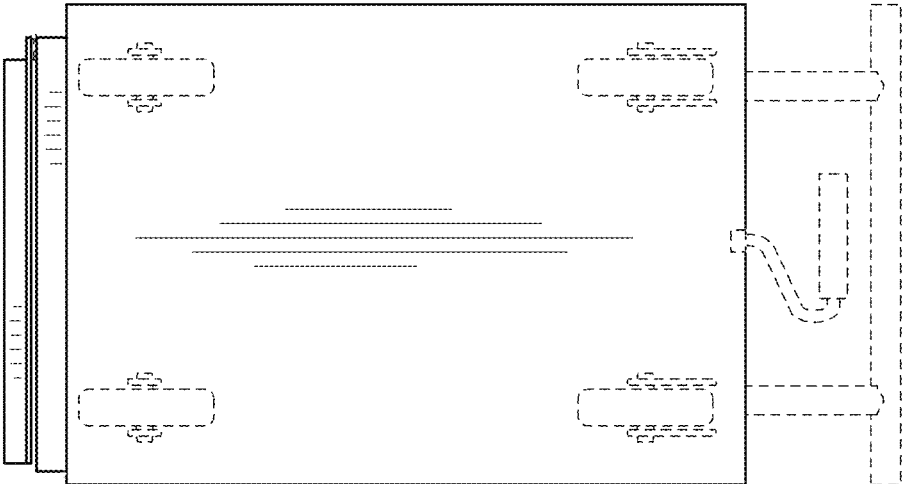
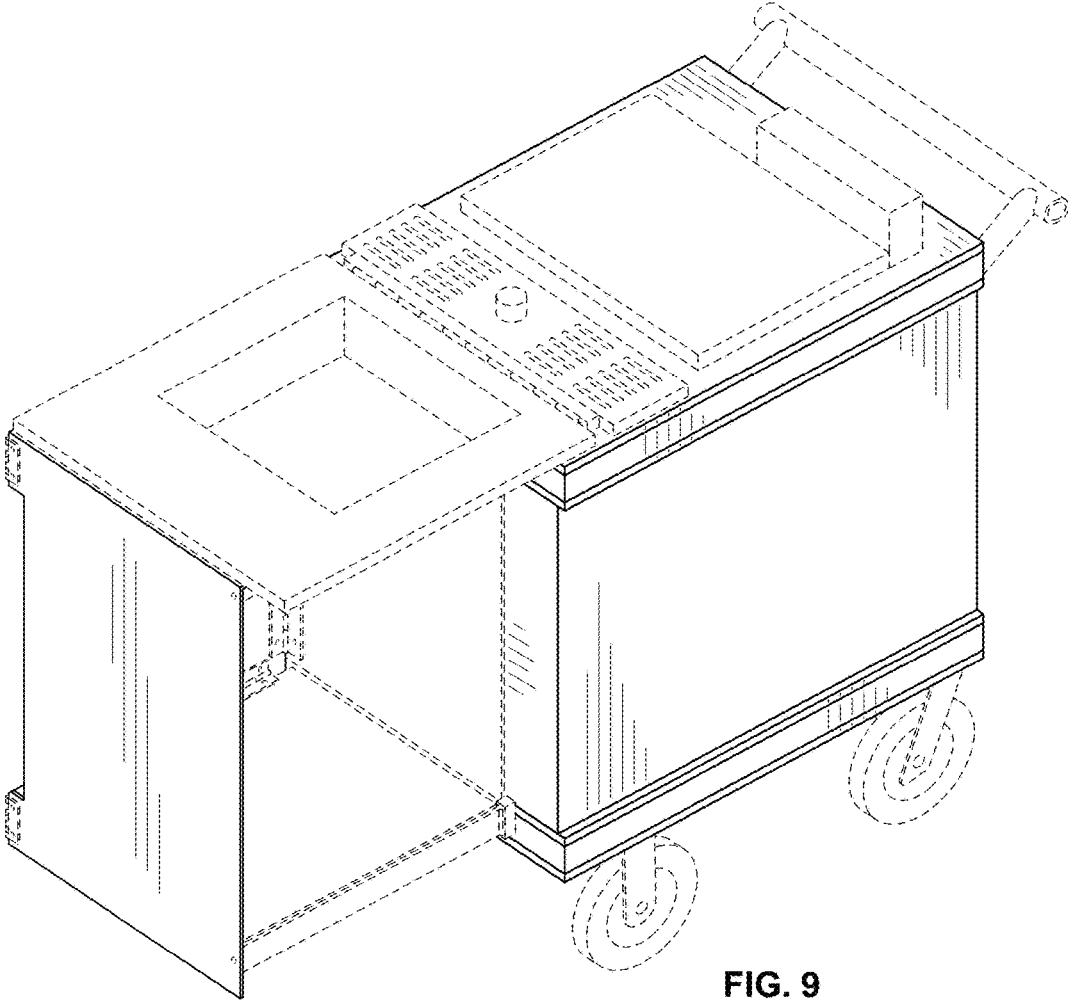


FIG. 8



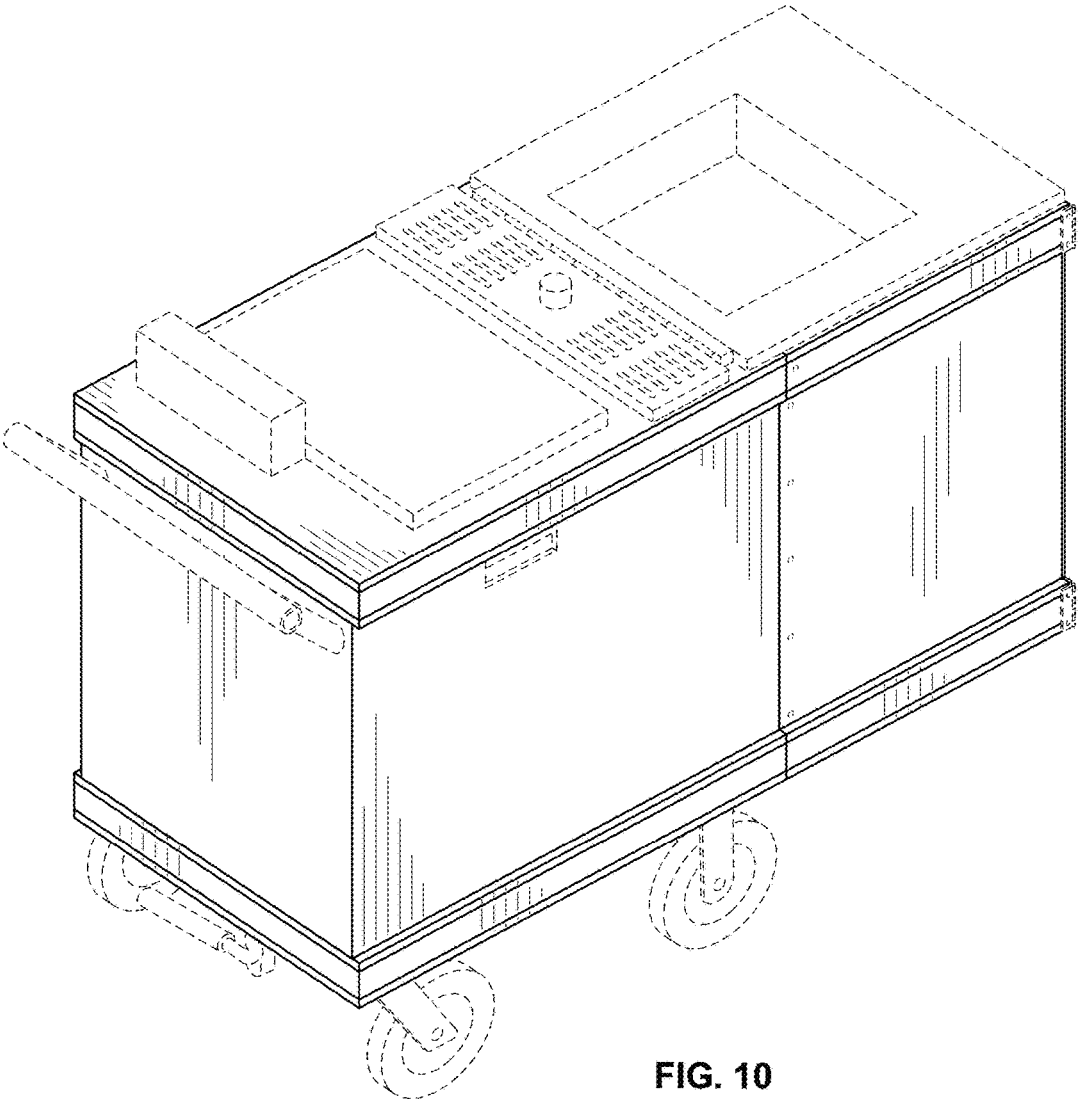


FIG. 10

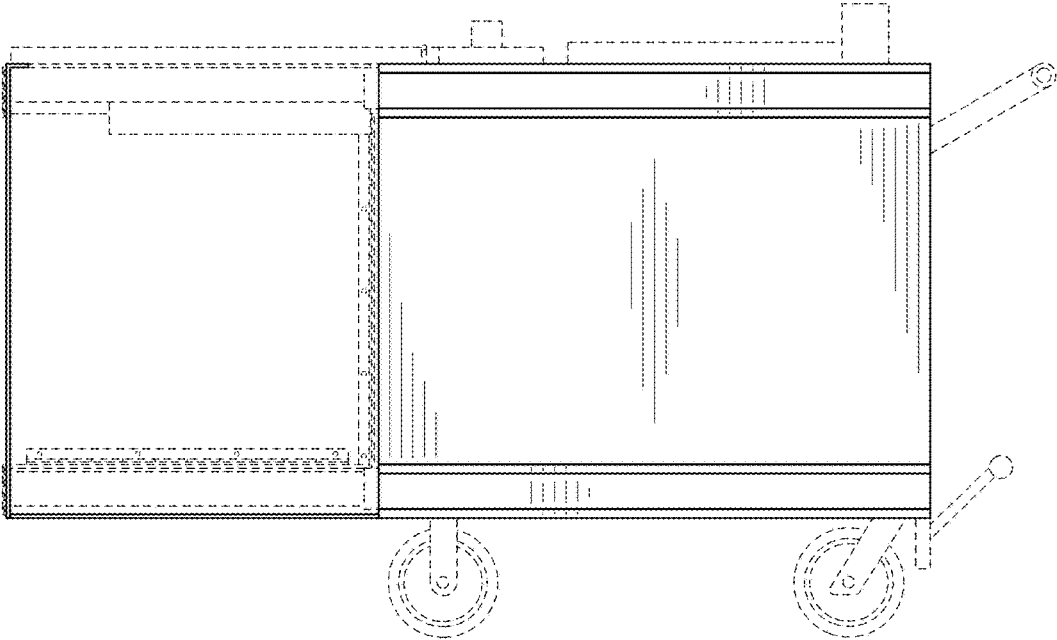


FIG. 11

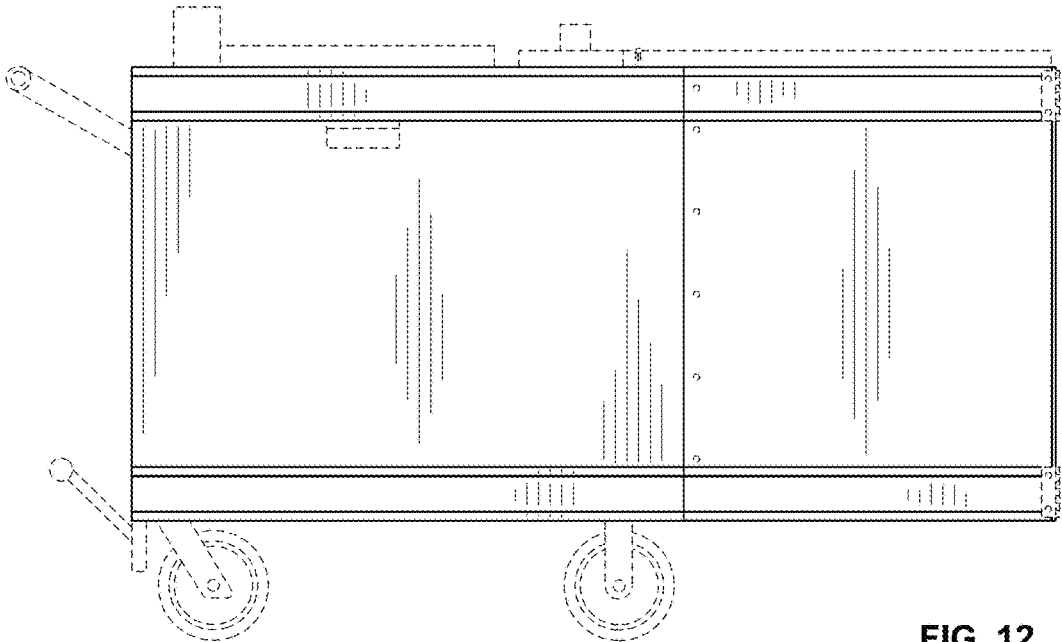


FIG. 12

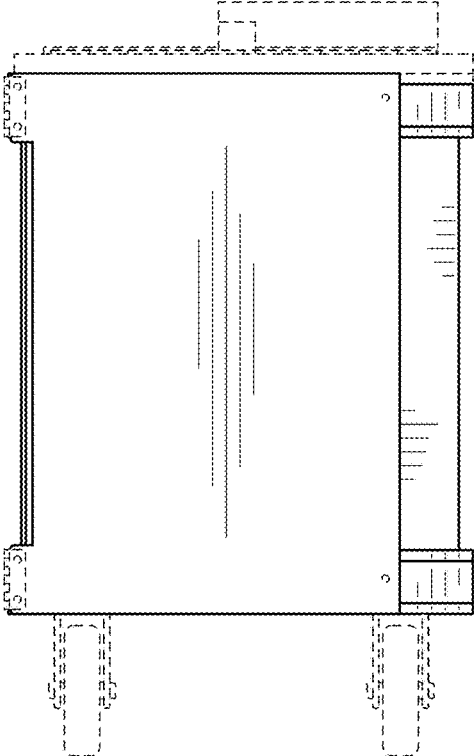


FIG. 13

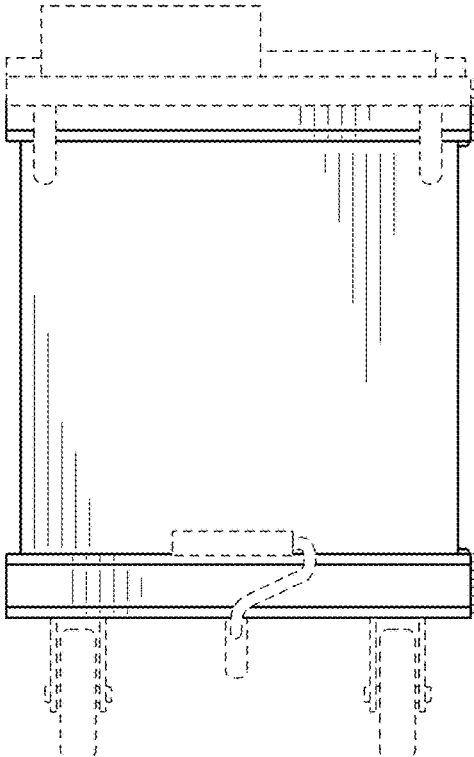


FIG. 14

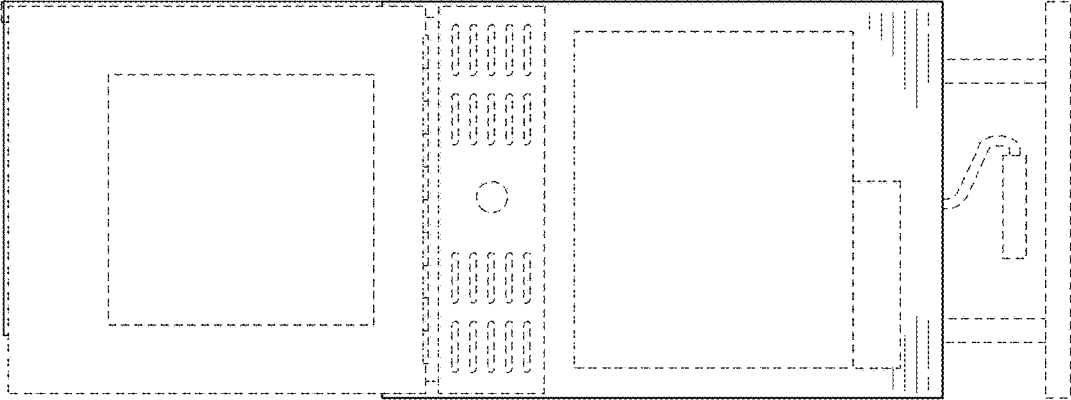


FIG. 15

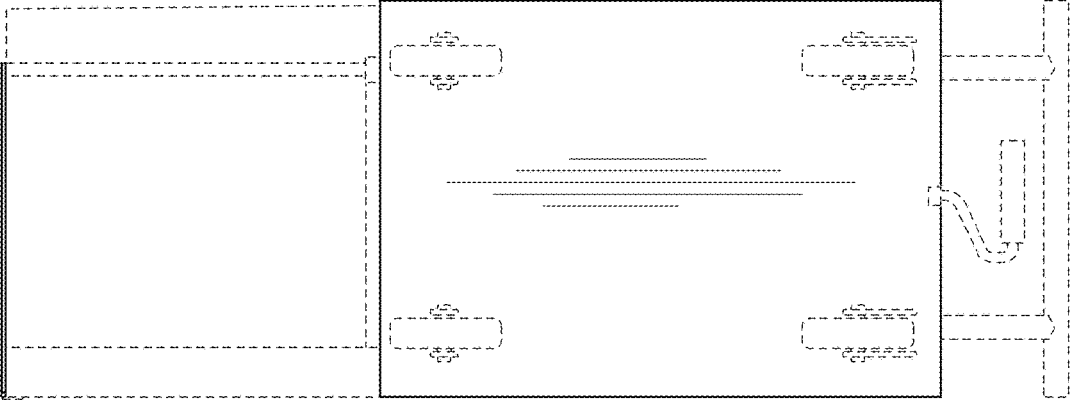


FIG. 16