



US00D545485S

(12) **United States Design Patent**
Hargreaves

(10) **Patent No.:** **US D545,485 S**

(45) **Date of Patent:** **** Jun. 26, 2007**

(54) **LIGHT REFLECTOR**

(75) Inventor: **Craig Hargreaves**, Vancouver, WA
(US)

(73) Assignee: **IP Holdings, LLC**, Vancouver, WA
(US)

(**) Term: **14 Years**

(21) Appl. No.: **29/216,802**

(22) Filed: **Nov. 10, 2004**

(51) **LOC (8) Cl.** **26-99**

(52) **U.S. Cl.** **D26/118**

(58) **Field of Classification Search** D26/3,
D26/24, 42, 72, 75, 85, 113, 118, 119, 120,
D26/128; 362/219, 257, 260, 294, 317, 362,
362/368, 217

See application file for complete search history.

(56) **References Cited**

U.S. PATENT DOCUMENTS

3,025,391	A	*	3/1962	Golko	362/221
3,125,301	A	*	3/1964	Stotter	362/217
4,078,169	A	*	3/1978	Armstrong	362/122
4,669,033	A	*	5/1987	Lee	362/217
4,933,821	A	*	6/1990	Anderson	362/223
D376,437	S	*	12/1996	Karlo et al.	D26/28
D397,481	S	*	8/1998	Schafer	D26/85

D399,328	S	*	10/1998	Compton	D26/72
D415,304	S	*	10/1999	Brown	D26/87
D418,626	S	*	1/2000	Herst et al.	D26/118
D425,237	S	*	5/2000	Scott	D26/118
D445,943	S	*	7/2001	Littman	D26/87
6,257,735	B1	*	7/2001	Baar	362/217
D456,938	S	*	5/2002	Wardenburg	D26/118
D467,026	S	*	12/2002	Parker	D26/118

* cited by examiner

Primary Examiner—Freda S. Nunn

Assistant Examiner—Kevin K. Rudzinski

(74) *Attorney, Agent, or Firm*—Robert J. Ireland

(57) **CLAIM**

The ornamental design for a light reflector, as shown and described.

DESCRIPTION

FIG. 1 is a perspective view of the light reflector, according to the new and unique design;

FIG. 2 is a top view of the light reflector of FIG. 1;

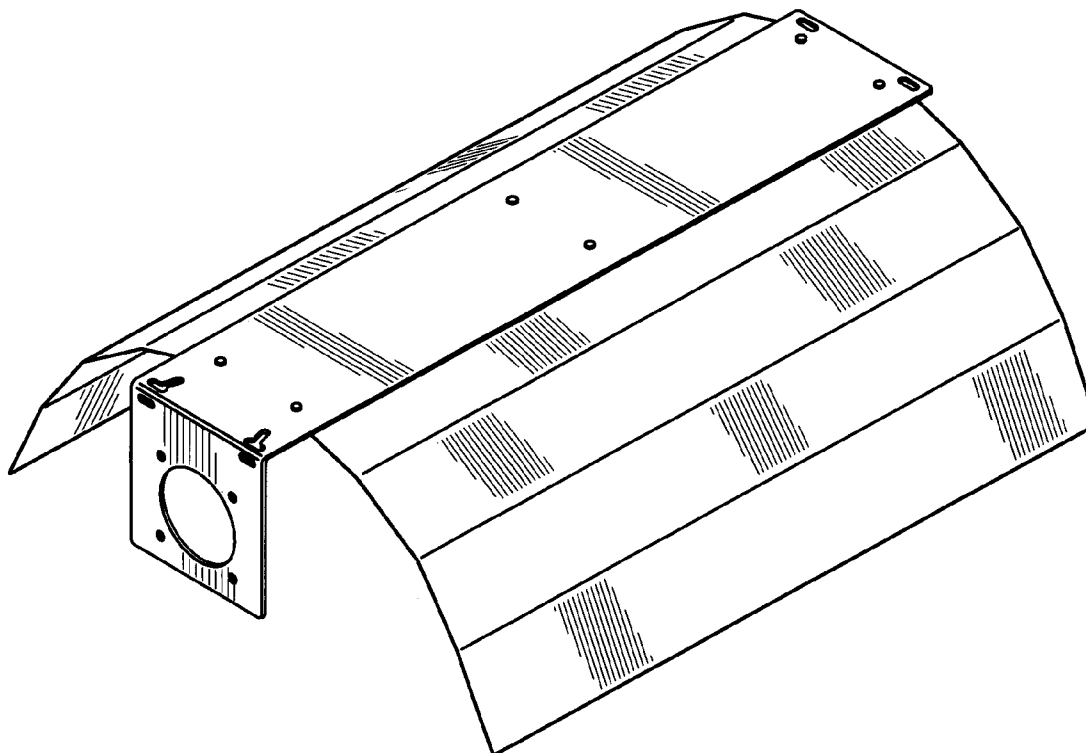
FIG. 3 is a right side view of the light reflector of FIG. 1, the left side being a mirror image thereof;

FIG. 4 is a rear view of the light reflector of FIG. 1;

FIG. 5 is a front view of the light reflector of FIG. 1; and,

FIG. 6 is a bottom view of the light reflector of FIG. 1.

1 Claim, 6 Drawing Sheets



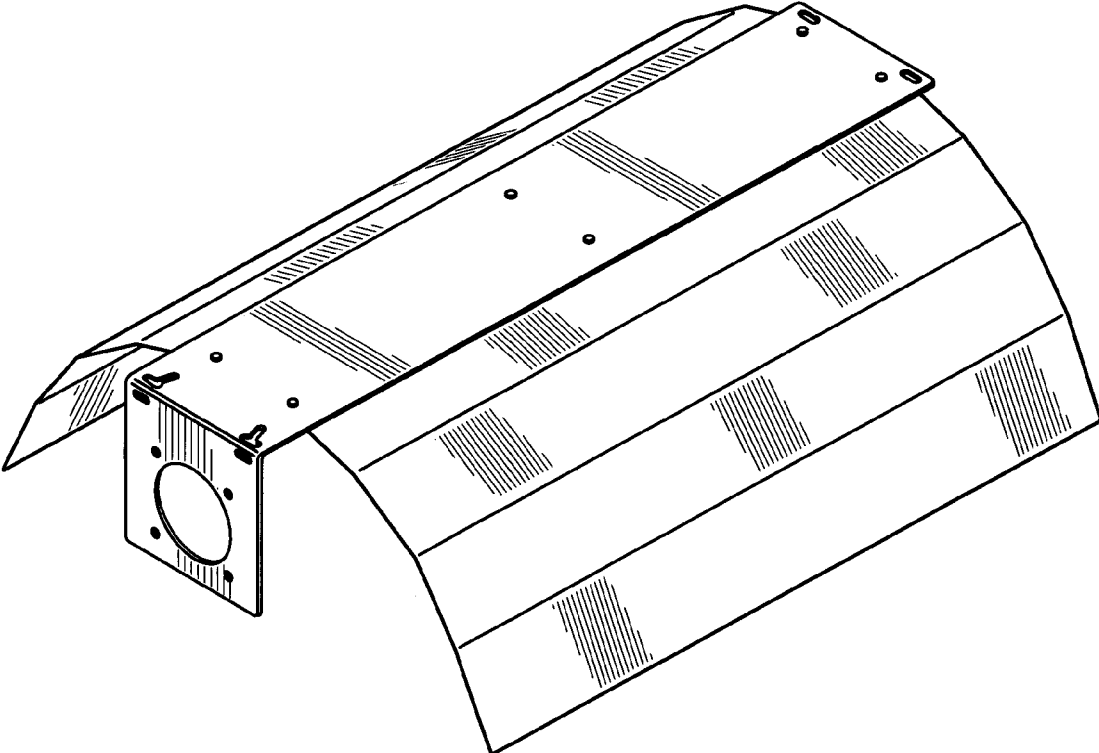


FIG. 1

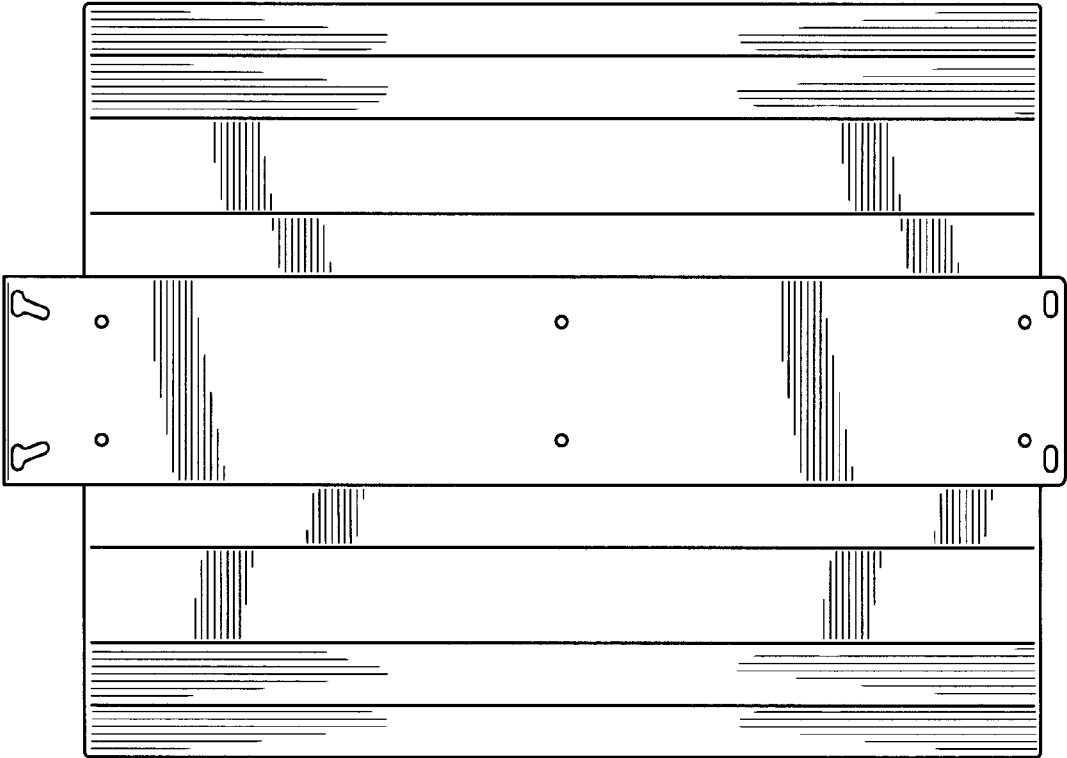


FIG. 2

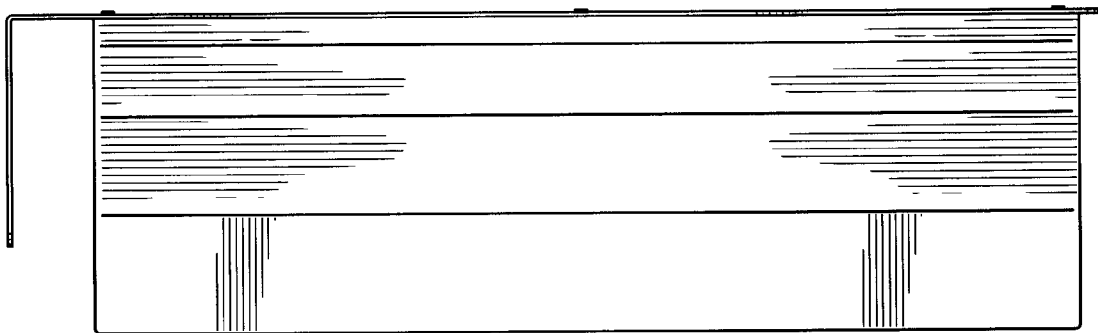


FIG. 3

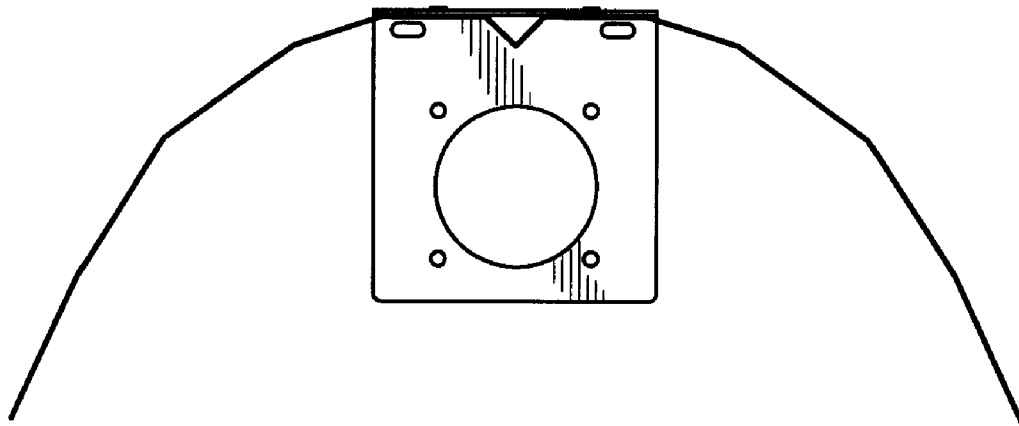


FIG. 4

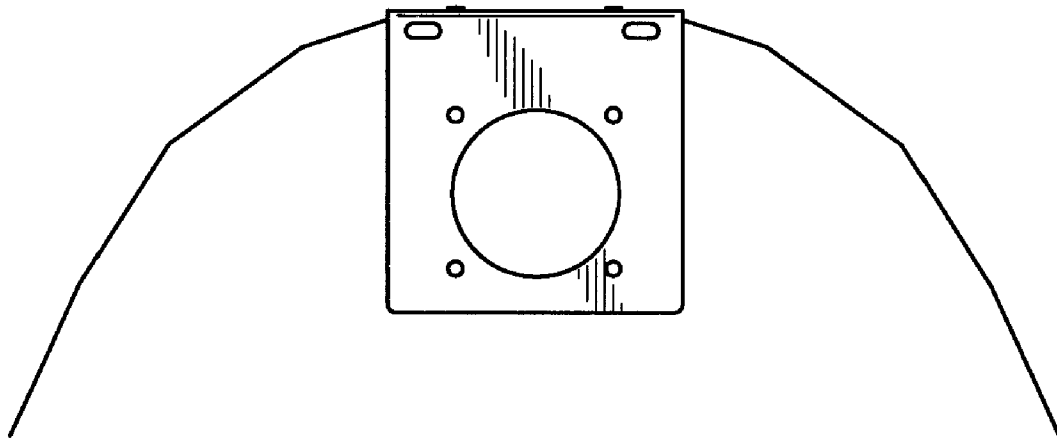


FIG. 5

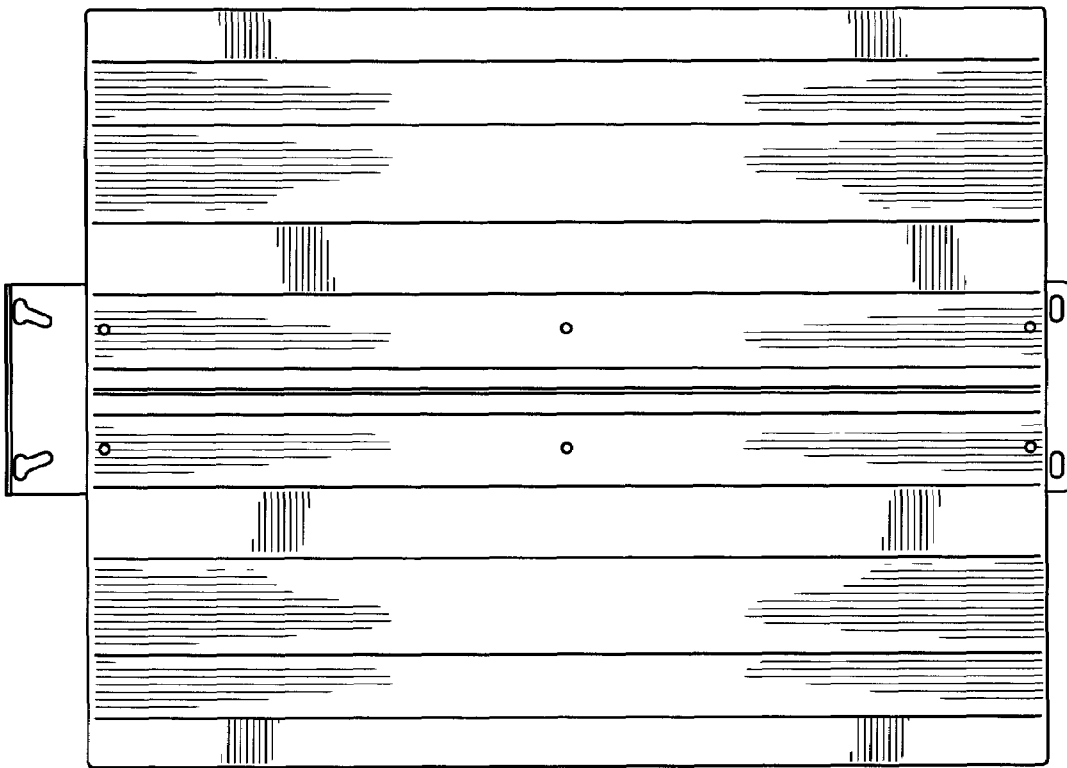


FIG. 6