



US00D962708S

(12) **United States Design Patent**
Liao

(10) **Patent No.:** **US D962,708 S**

(45) **Date of Patent:** **** Sep. 6, 2022**

(54) **BEER GLASS**

(71) Applicant: **Jiping Liao**, Hunan (CN)

(72) Inventor: **Jiping Liao**, Hunan (CN)

(**) Term: **15 Years**

(21) Appl. No.: **29/764,157**

(22) Filed: **Dec. 29, 2020**

(51) **LOC (13) Cl.** **07-01**

(52) **U.S. Cl.**
USPC **D7/513**

(58) **Field of Classification Search**
USPC D7/507, 509, 513, 523, 555, 557, 584,
D7/602, 701, 705, 707; D11/143, 152
CPC A47G 19/22; A47G 19/2205; A47G
19/2227; A01G 9/02
See application file for complete search history.

(56) **References Cited**

U.S. PATENT DOCUMENTS

1,848,331	A *	3/1932	Esslinger	A47J 47/18 15/264
2,944,661	A *	7/1960	Goldstein	A45C 11/005 206/5
D336,594	S *	6/1993	Trush	B65D 21/0204 D7/509
5,242,071	A *	9/1993	Goebel	B65D 21/0233 220/4.26
D355,735	S *	2/1995	Shaffer	B65D 21/0233 D9/503
D395,379	S *	6/1998	Goodman	B65D 21/0204 D7/537
D409,442	S *	5/1999	Kilpatrick	B65D 21/0233 D7/509
6,123,214	A *	9/2000	Goebel	B65D 21/0204 220/520
D436,803	S *	1/2001	Addison	D7/509
6,375,033	B1 *	4/2002	Fleming	A47G 19/2211 220/501

D471,803	S *	3/2003	Trombly	D9/737
D515,870	S *	2/2006	Akopyan	D7/513
7,168,584	B2 *	1/2007	Akopyan	A47G 19/2205 215/6
D553,439	S *	10/2007	Bodum	D7/509
D557,985	S *	12/2007	Arcangeli	D7/541
D696,586	S *	12/2013	Huang	D9/503
D703,067	S *	4/2014	LoPriore	D9/741
D714,588	S *	10/2014	Cummings	A47G 19/2205 D7/509
D731,855	S *	6/2015	Riedel	D7/523
D748,432	S *	2/2016	Kushner	D7/537
D830,775	S *	10/2018	Lewis	D7/510
D887,792	S *	6/2020	Basios	D9/503

(Continued)

OTHER PUBLICATIONS

Super Schooner | posted at Amazon.com, posted on Feb. 6, 2021 © 1996-2022 Amazon.com, [online], [site visited May 6, 2022]. Available from Internet, <URL: <https://www.amazon.com/Schooner-Shatterproof-Reusable-Drinkware-Birthday/dp/B08W3HXBJC/>> (Year: 2021).*

Primary Examiner — Andrew Kerr

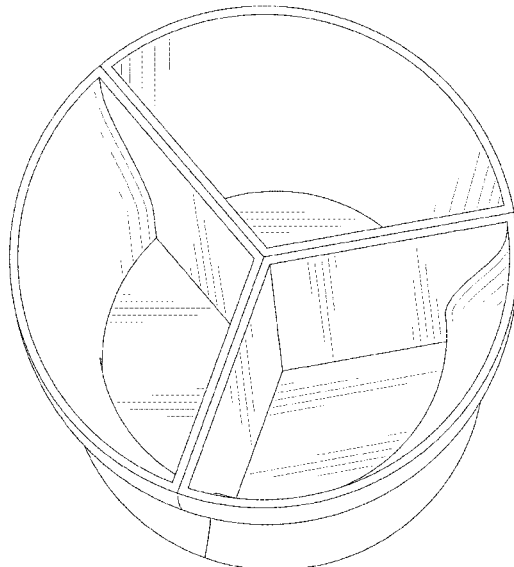
(57) **CLAIM**

The ornamental design for a beer glass, as shown and described.

DESCRIPTION

FIG. 1 is a front and top perspective view of a beer glass, showing my new design;
FIG. 2 is a rear and bottom perspective view thereof;
FIG. 3 is a front elevation view thereof;
FIG. 4 is a rear elevation view thereof;
FIG. 5 is a left side elevation view thereof;
FIG. 6 is a right side elevation view thereof;
FIG. 7 is a top plan view thereof; and,
FIG. 8 is a bottom plan view thereof.

1 Claim, 8 Drawing Sheets



(56)

References Cited

U.S. PATENT DOCUMENTS

D899,861 S * 10/2020 Lefkowitz D7/541
D932,899 S * 10/2021 Calderaio D9/503

* cited by examiner

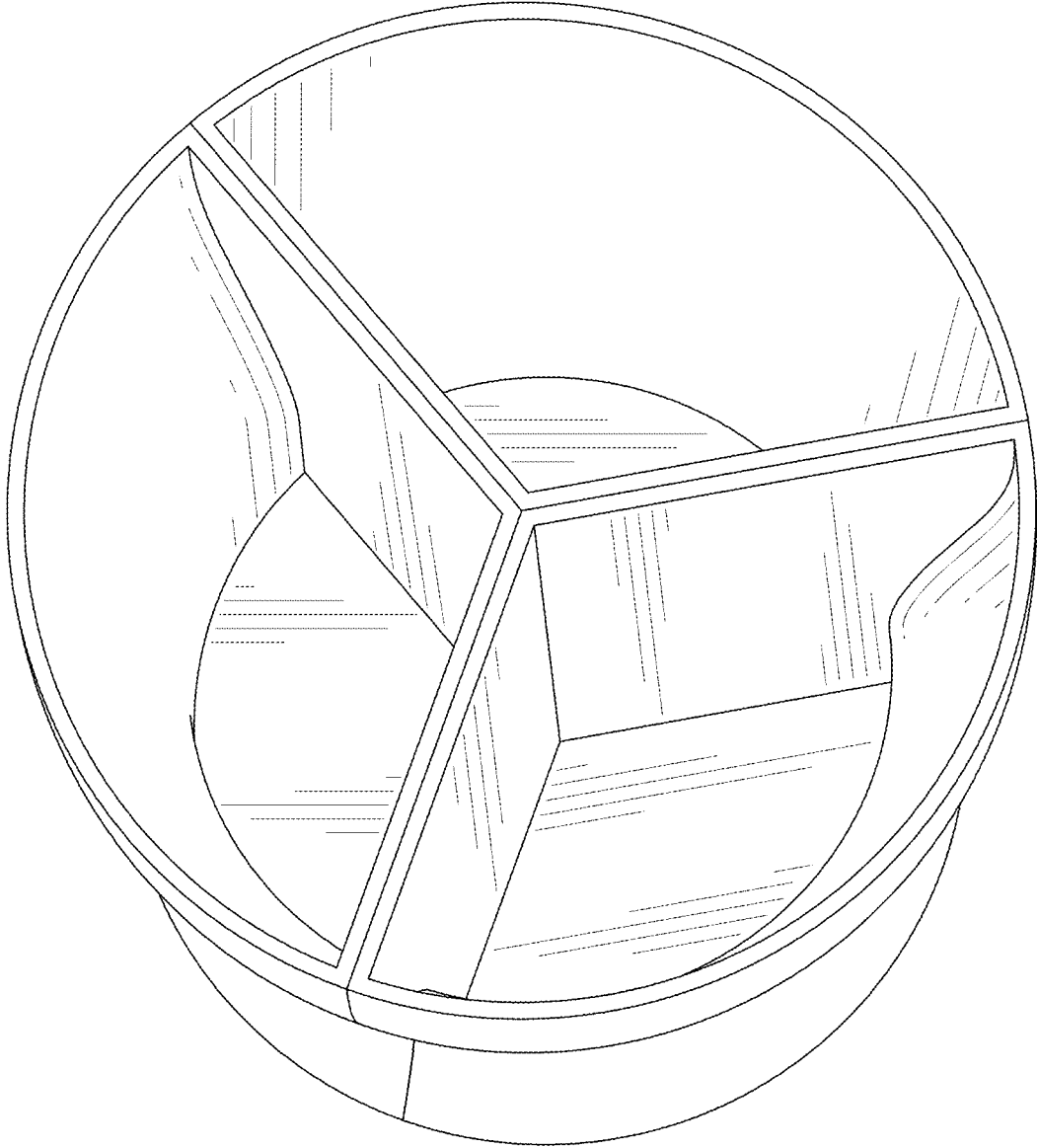


FIG. 1

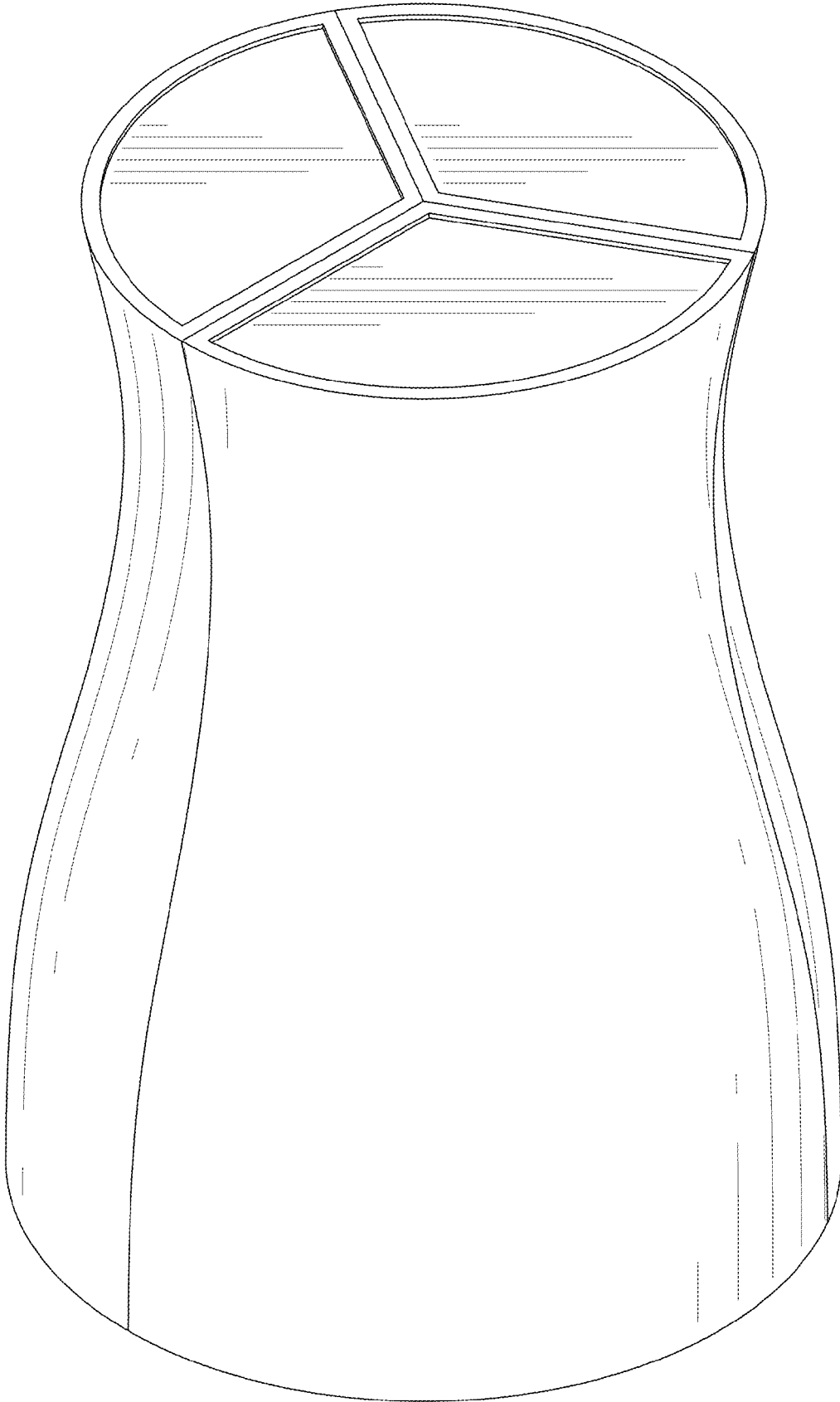


FIG. 2

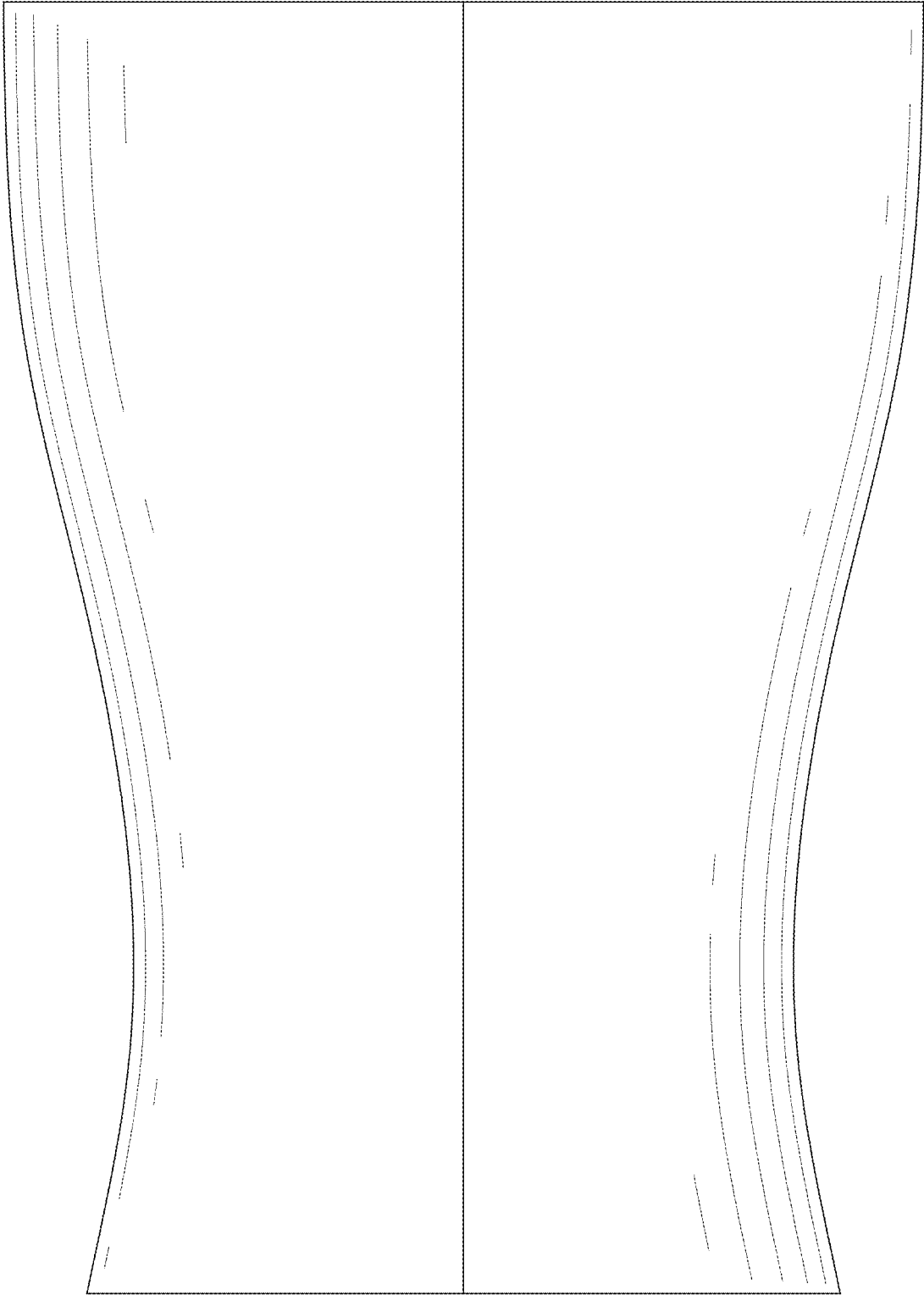


FIG. 3

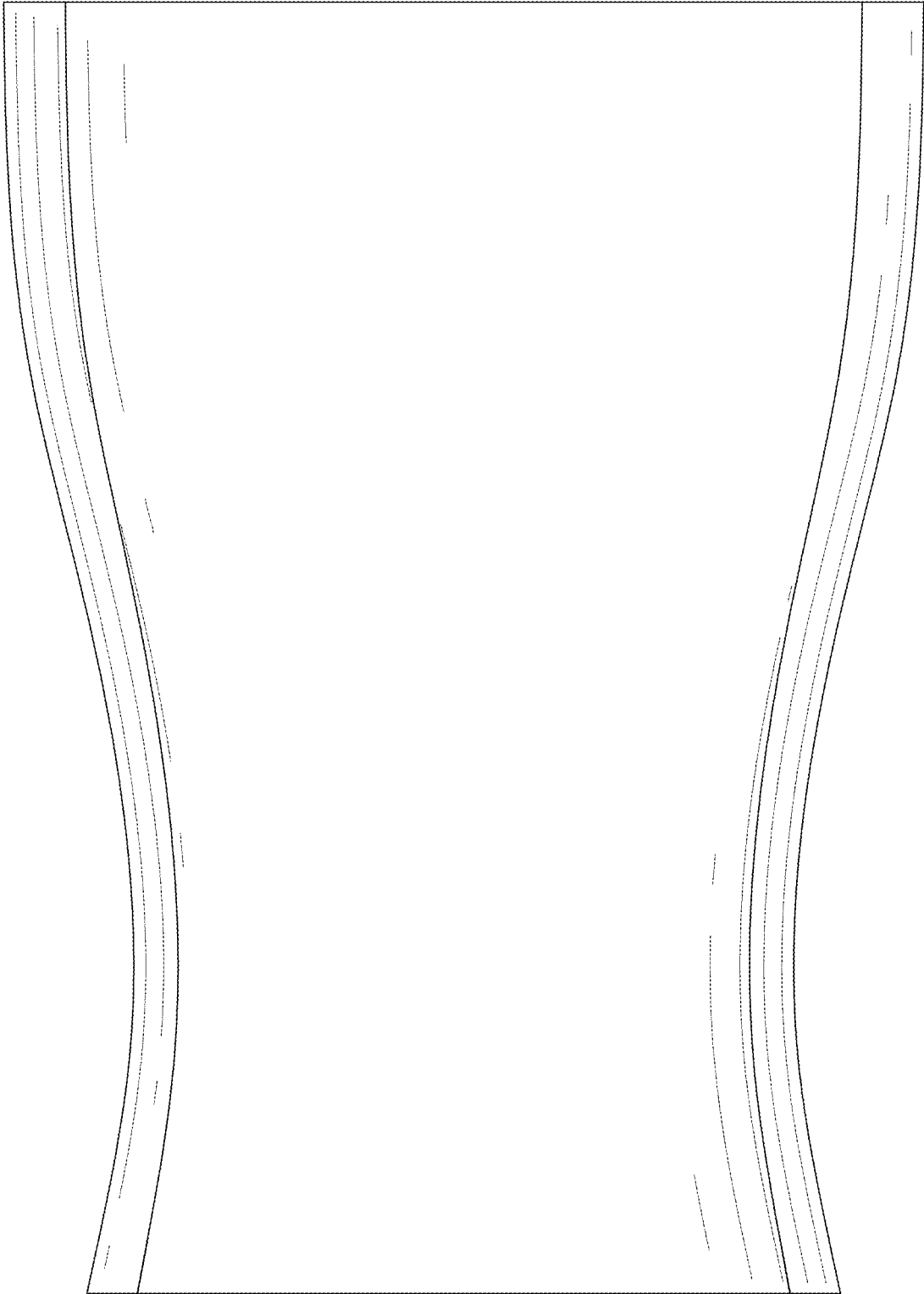


FIG. 4

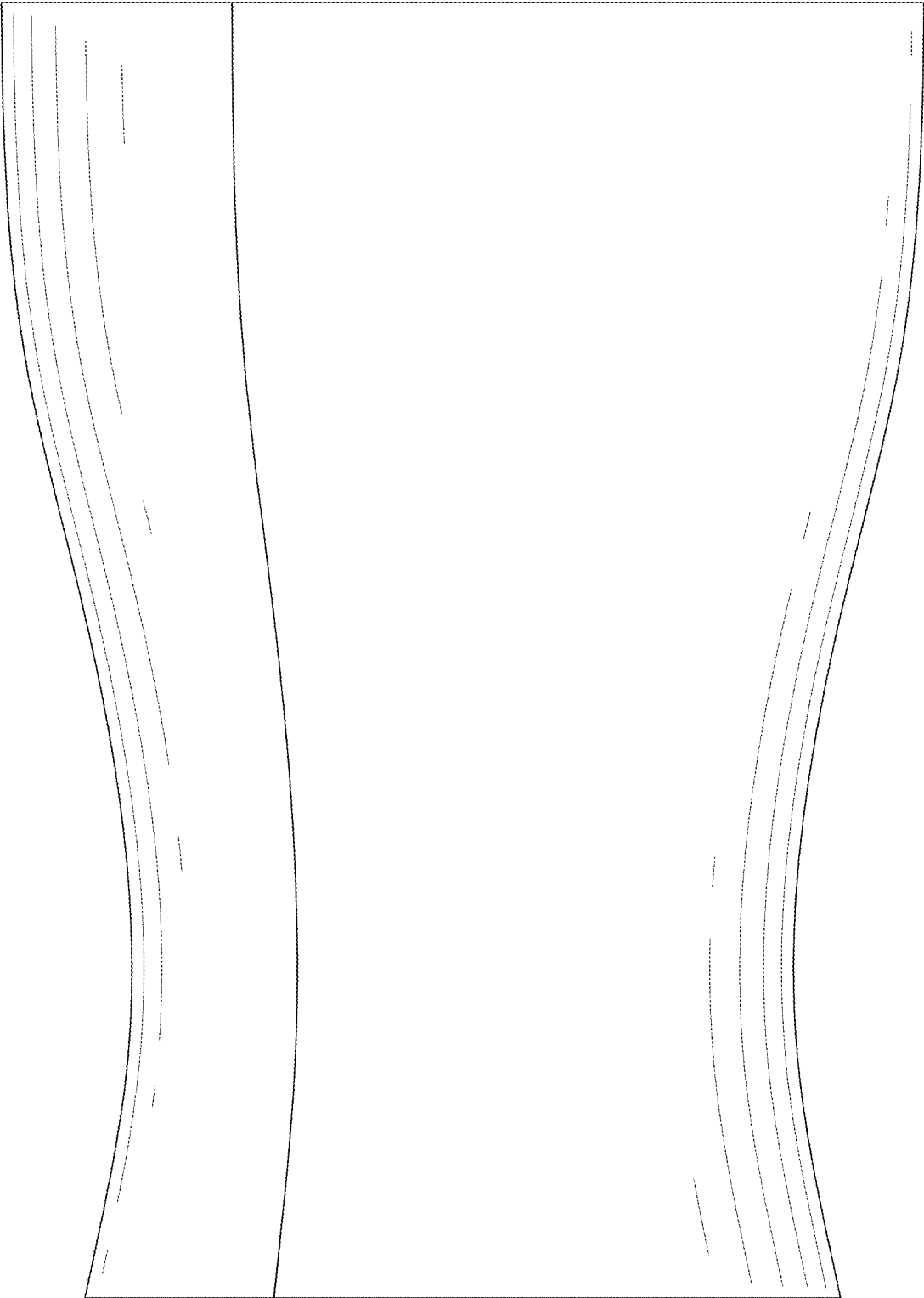


FIG. 5



FIG. 6

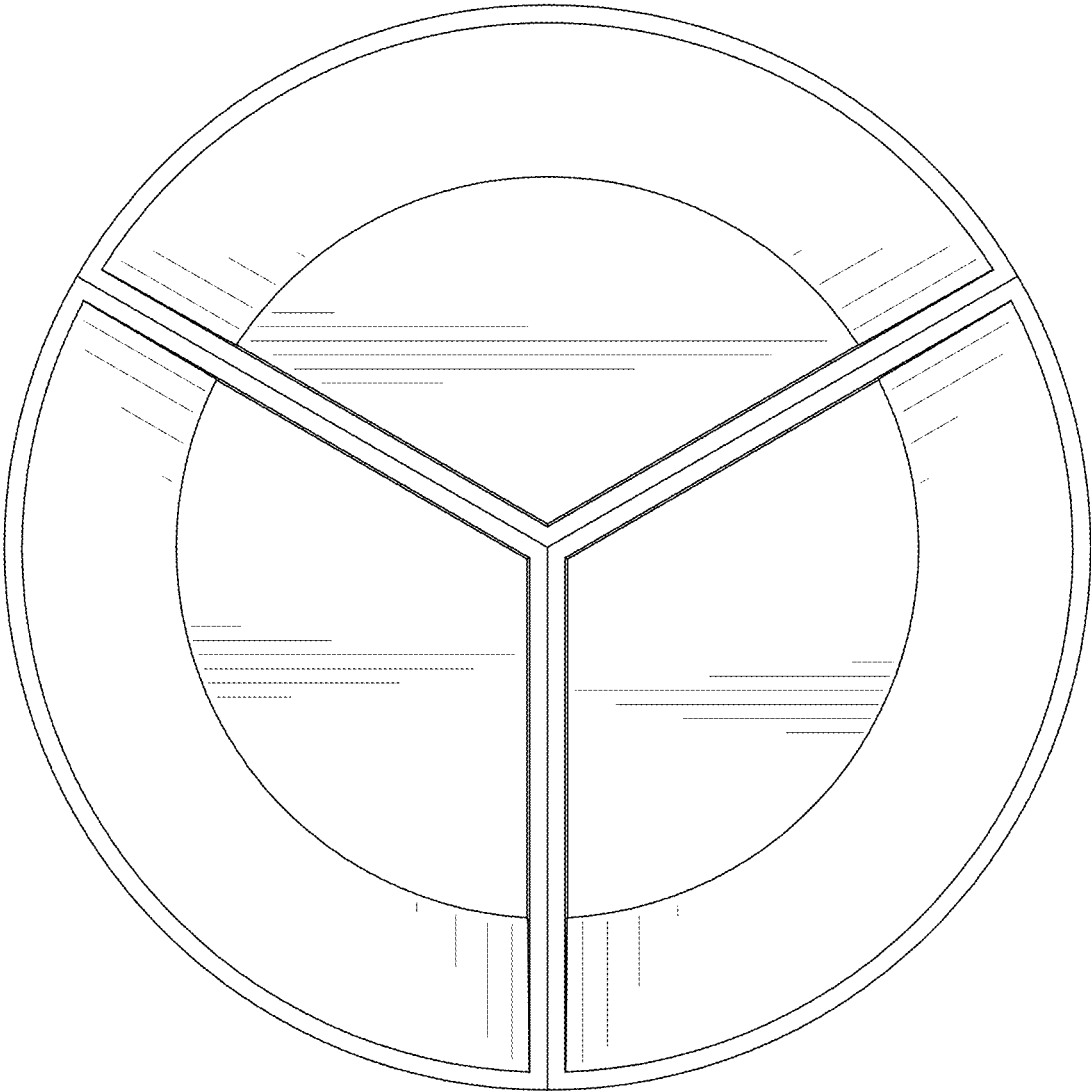


FIG. 7

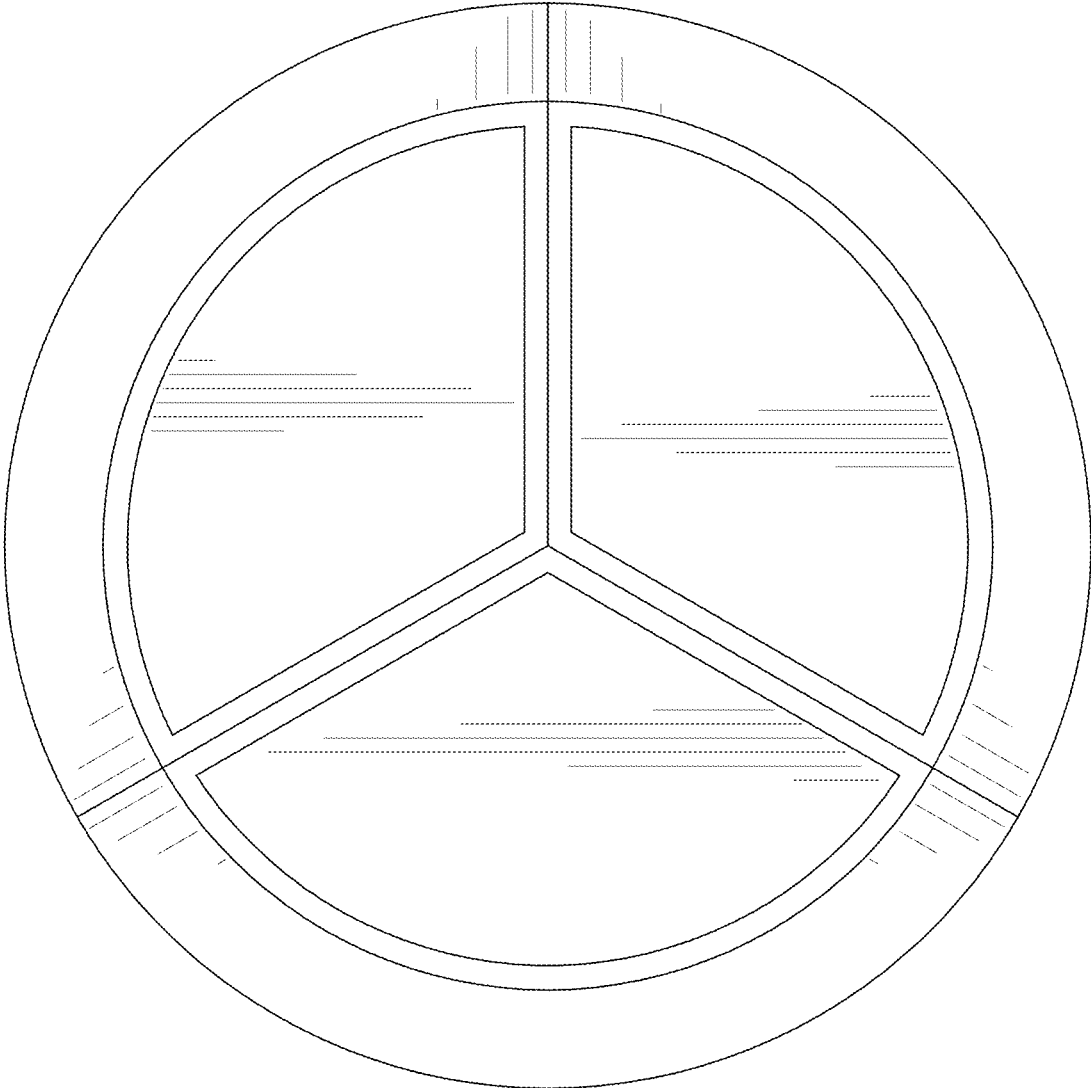


FIG. 8