



US00D686199S

(12) **United States Design Patent**  
**Fahrendorff et al.**

(10) **Patent No.:** **US D686,199 S**

(45) **Date of Patent:** **\*\* Jul. 16, 2013**

(54) **ELECTRONIC DEVICE SHELL**

(75) Inventors: **Anders Fahrendorff**, Ottawa (CA); **Ian James Murchison**, Toronto (CA); **Todd Nelson Sinclair**, Ottawa (CA)

(73) Assignee: **Research In Motion Limited**, Waterloo, Ontario (CA)

(\*\*) Term: **14 Years**

(21) Appl. No.: **29/405,544**

(22) Filed: **Nov. 3, 2011**

(51) **LOC (9) Cl.** ..... **14-03**

(52) **U.S. Cl.**  
USPC ..... **D14/250**

(58) **Field of Classification Search**  
USPC ..... D14/137, 138, 168, 203.1–203.7,  
D14/217, 218, 248, 250–253, 440, 474, 496,  
D14/483, 356, 507; D3/218, 269; 345/905;  
455/93, 95

See application file for complete search history.

(56) **References Cited**

U.S. PATENT DOCUMENTS

D625,303 S \* 10/2010 Kim ..... D14/250  
D635,555 S \* 4/2011 Giles ..... D14/217  
D649,539 S \* 11/2011 Hong ..... D14/250

D653,655 S \* 2/2012 Polito et al. .... D14/250  
D659,132 S \* 5/2012 Wen ..... D14/250  
D662,928 S \* 7/2012 Fahrendorff et al. .... D14/250  
D663,725 S \* 7/2012 Polito et al. .... D14/250  
D676,432 S \* 2/2013 Hasbrook et al. .... D14/250

\* cited by examiner

*Primary Examiner* — Robert M Spear

*Assistant Examiner* — Rhea Shields

(57) **CLAIM**

We claim the ornamental design for an electronic device shell, as shown and described.

**DESCRIPTION**

FIG. 1 is a back perspective view of an electronic device shell; FIG. 2 is a back elevational view of the electronic device shell;

FIG. 3 is a front elevational view thereof;

FIG. 4 is a right elevational view thereof;

FIG. 5 is a left elevational view thereof;

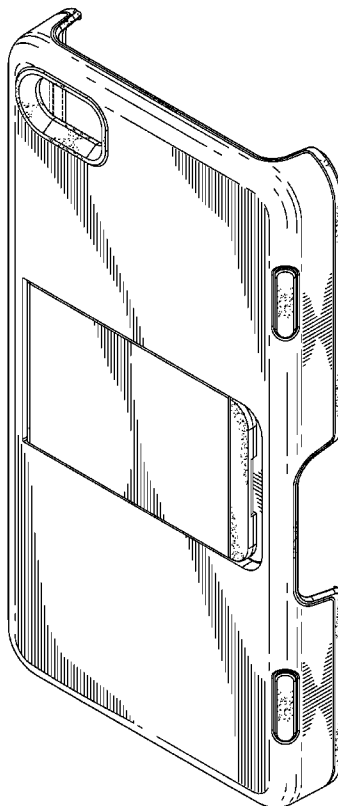
FIG. 6 is a bottom plan view thereof; and,

FIG. 7 is a top plan view thereof.

The stippling represents surfaces with an appearance that differs from other surfaces shown with linear shading.

The broken lines in FIGS. 1, 4 through 6 depict unclaimed environment.

**1 Claim, 5 Drawing Sheets**



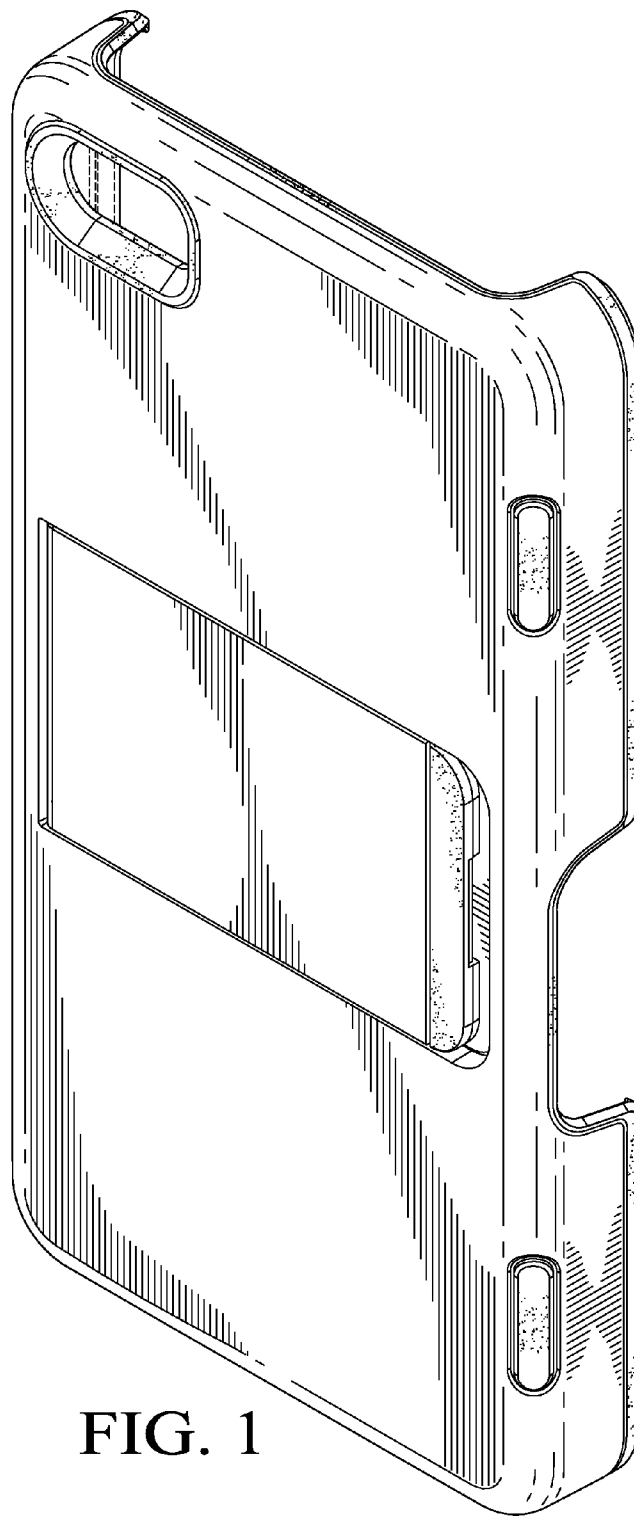


FIG. 1

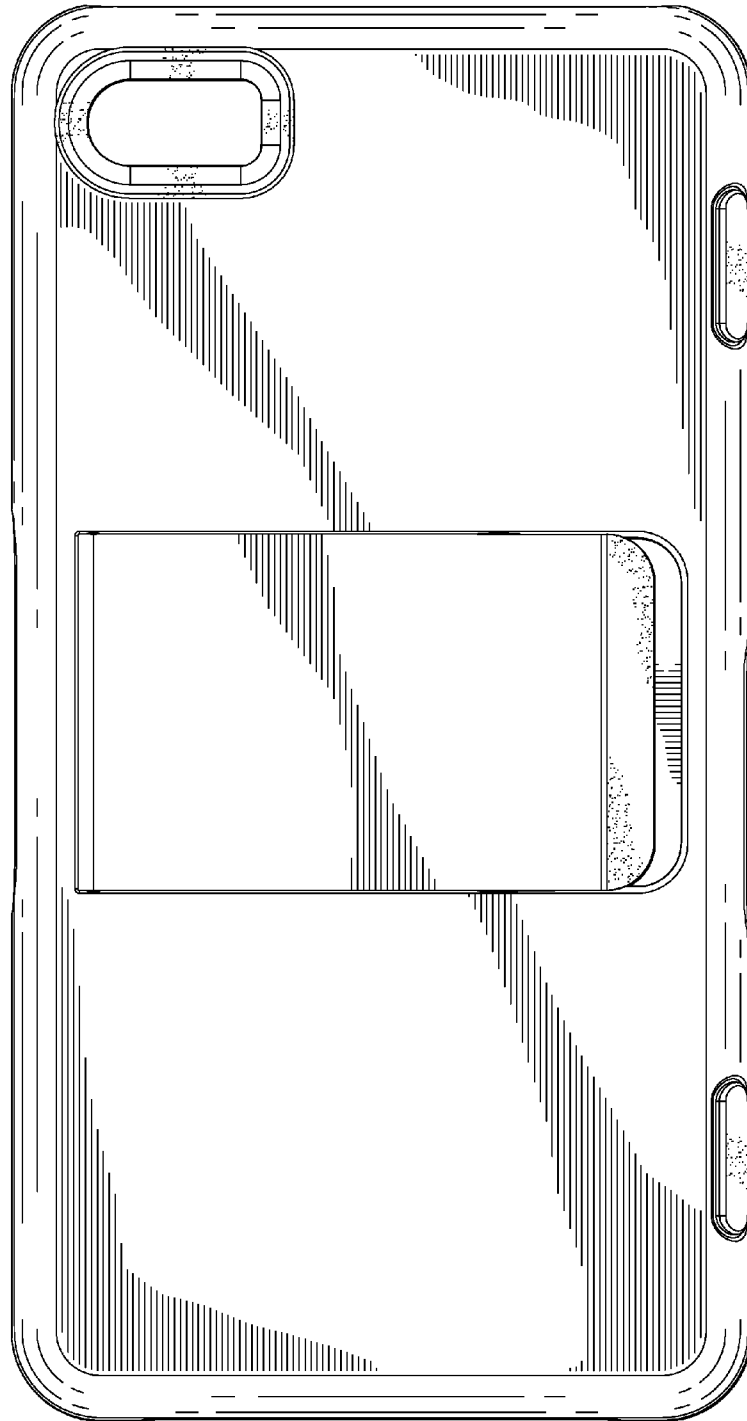


FIG. 2

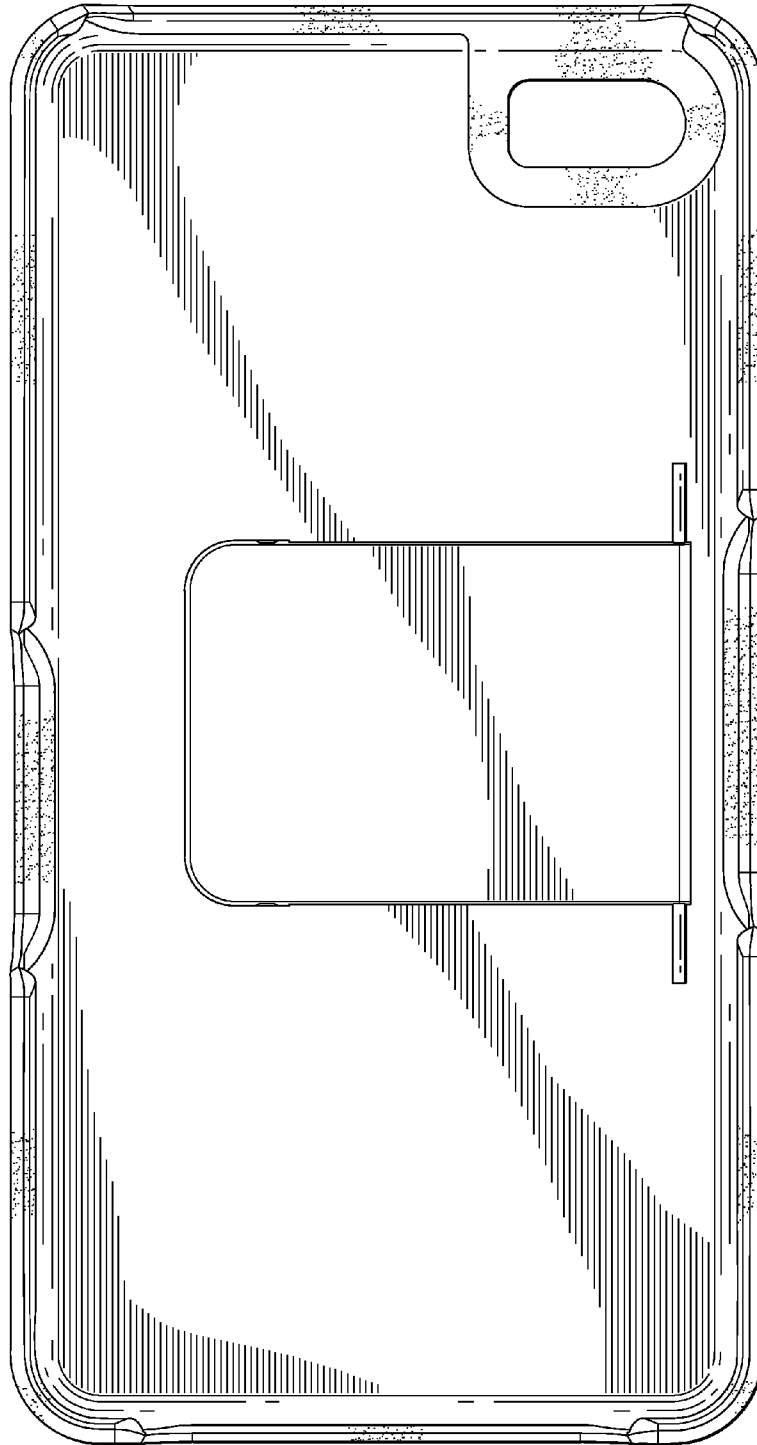


FIG. 3

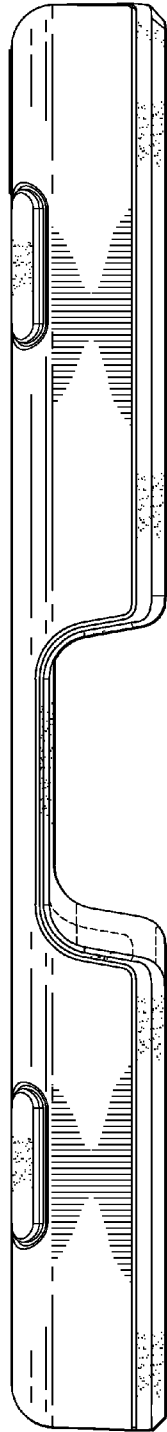


FIG. 4

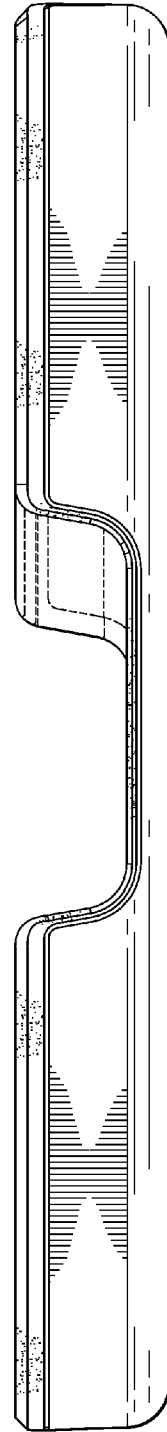


FIG. 5



FIG. 6

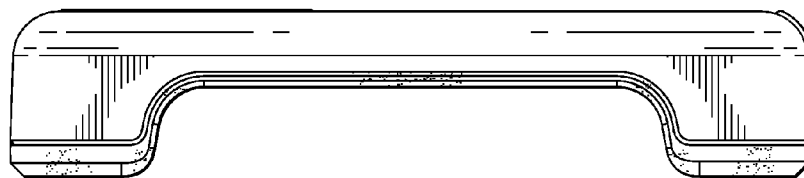


FIG. 7