



US00D935225S

(12) **United States Design Patent**
Wang et al.

(10) **Patent No.:** **US D935,225 S**

(45) **Date of Patent:** **** Nov. 9, 2021**

(54) **PILLOW**

(71) Applicants: **Wenmin Wang**, Qingdao (CN);
Mingxing Shao, Hegang (CN)

(72) Inventors: **Wenmin Wang**, Qingdao (CN);
Mingxing Shao, Hegang (CN)

(**) Term: **15 Years**

(21) Appl. No.: **29/729,523**

(22) Filed: **Mar. 27, 2020**

(51) **LOC (13) Cl.** **06-09**

(52) **U.S. Cl.**
USPC **D6/601**

(58) **Field of Classification Search**
USPC D6/582-583, 587-592, 595-609,
D6/617-622; D21/803-809; D24/183
CPC A47G 9/00; A47G 2009/001; A47G
2009/002; A47G 2009/003; A47G 9/10;
A47G 9/1009; A47G 2009/1018; A47G
9/1045; A47G 9/1081; A47G 9/109;
A61G 7/072

See application file for complete search history.

(56) **References Cited**

U.S. PATENT DOCUMENTS

2,958,885	A *	11/1960	Donney	A47L 13/03	401/196
D516,855	S *	3/2006	Akamatsu	D6/601	
D672,186	S *	12/2012	Alletto, Jr.	D6/606	
D719,764	S *	12/2014	Enders	D6/606	
D726,452	S *	4/2015	Jensen	D6/606	
D758,102	S *	6/2016	Mason	D6/601	
D790,254	S *	6/2017	Brown	D6/601	

D818,290	S *	5/2018	Facco	D6/601	
D818,742	S *	5/2018	Bell	D6/601	
D831,384	S *	10/2018	O'Neill	D6/601	
10,206,512	B2 *	2/2019	Kim	B32B 3/263	
D858,142	S *	9/2019	Marrero	D6/601	
D885,085	S *	5/2020	Dowd	D6/601	
D896,547	S *	9/2020	Huang	D6/601	
D903,377	S *	12/2020	Yin	D6/601	
D909,092	S *	2/2021	Pearce	D6/601	
D909,790	S *	2/2021	Pearce	D6/601	
D917,926	S *	5/2021	Pearce	D6/601	
D917,927	S *	5/2021	Taylor	D6/601	
2008/0244832	A1 *	10/2008	Kuo	A47C 7/021	5/638
2016/0166092	A1 *	6/2016	Alletto, Jr.	A47G 9/1036	5/638
2018/0140116	A1 *	5/2018	Werner	A47G 9/0253	

* cited by examiner

Primary Examiner — Jennifer L Rempfer

(74) *Attorney, Agent, or Firm* — Runit Ranjit Kanakia

(57) **CLAIM**

We claim the ornamental design for a pillow, as shown and described.

DESCRIPTION

FIG. 1 is a Perspective view of a pillow showing my new design;

FIG. 2 is a front view thereof;

FIG. 3 is a back view thereof;

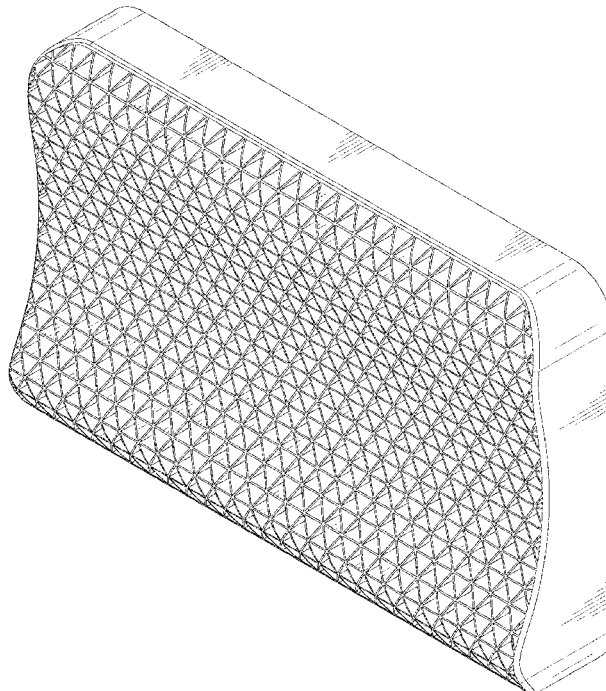
FIG. 4 is a left-side view thereof;

FIG. 5 is a right-side view thereof;

FIG. 6 is a Top view thereof; and,

FIG. 7 is a Bottom view thereof.

1 Claim, 5 Drawing Sheets



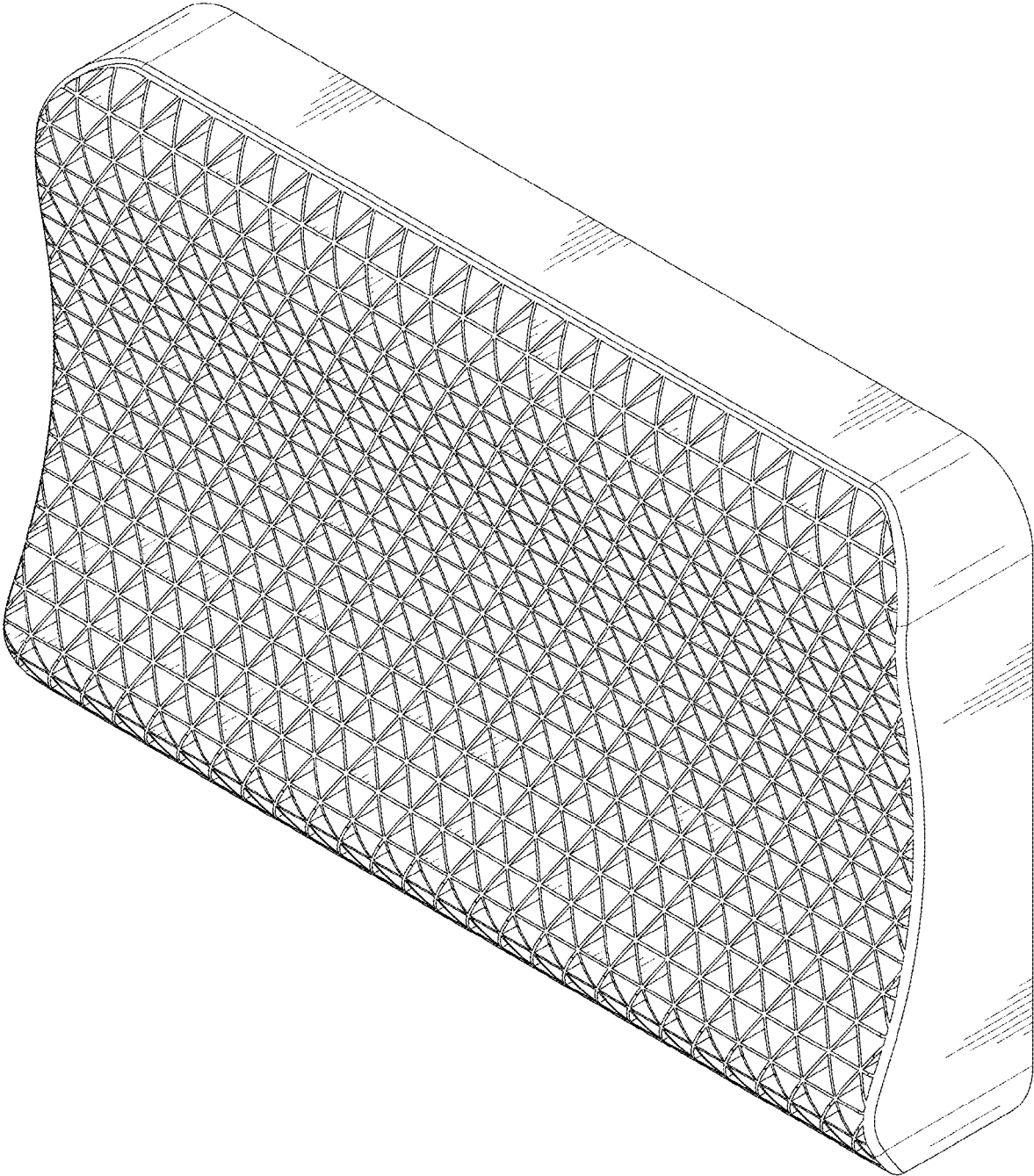


FIG. 1

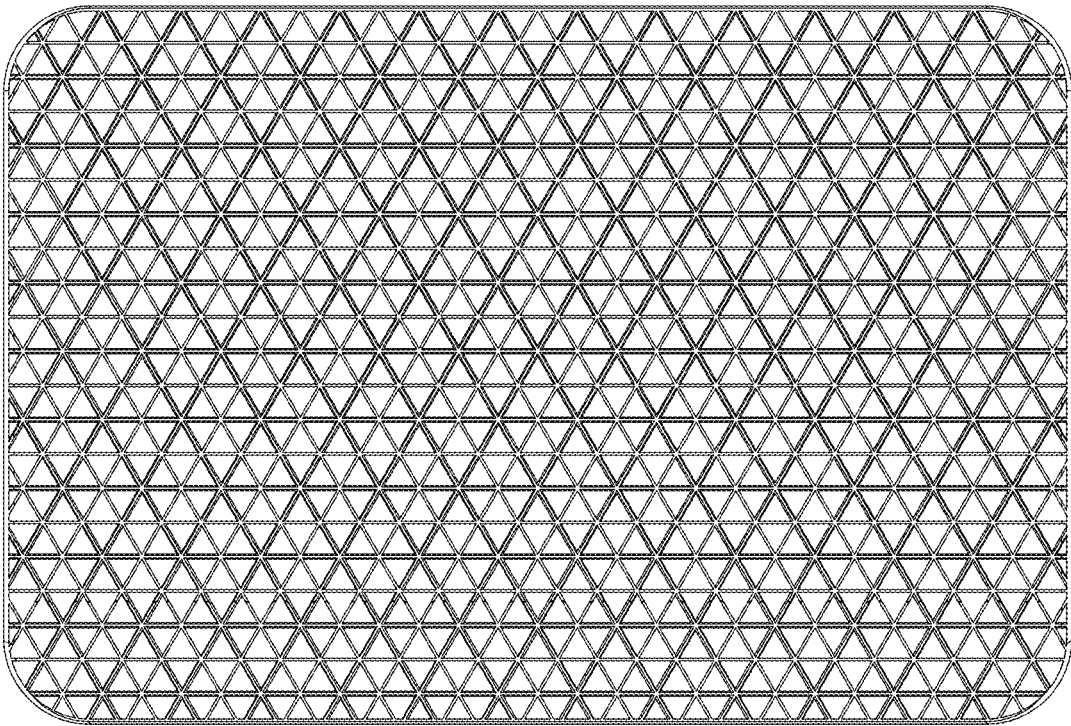


FIG. 2

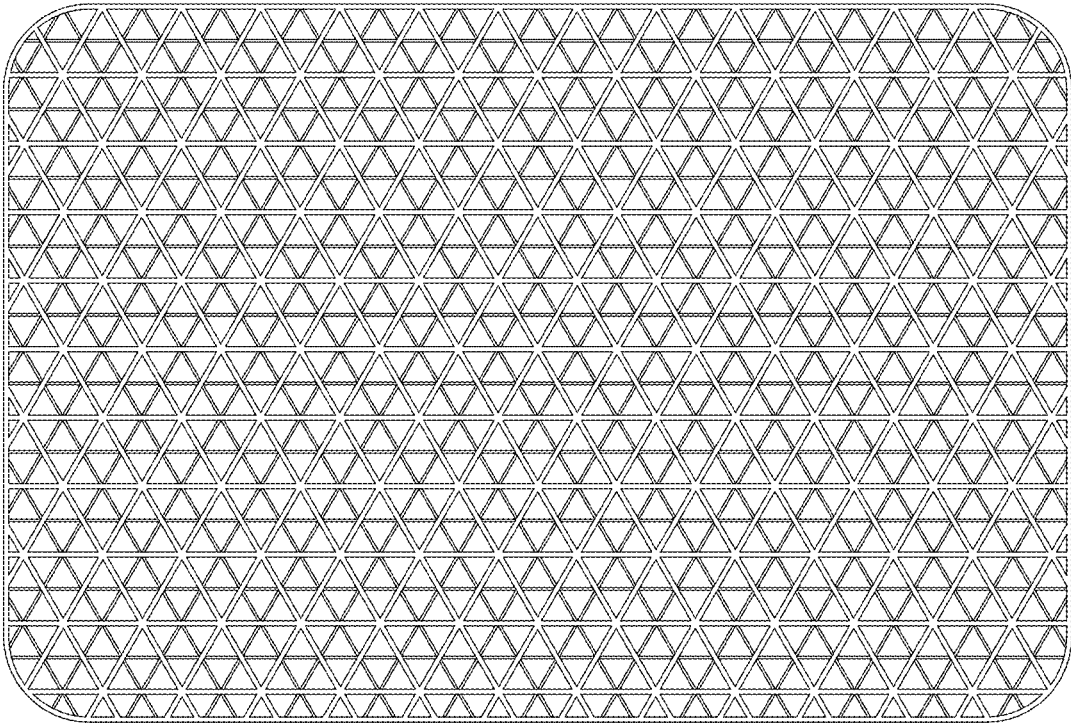


FIG. 3

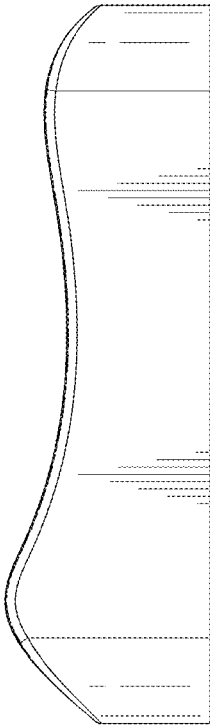


FIG. 4

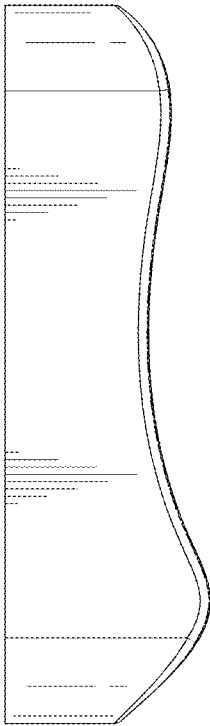


FIG. 5

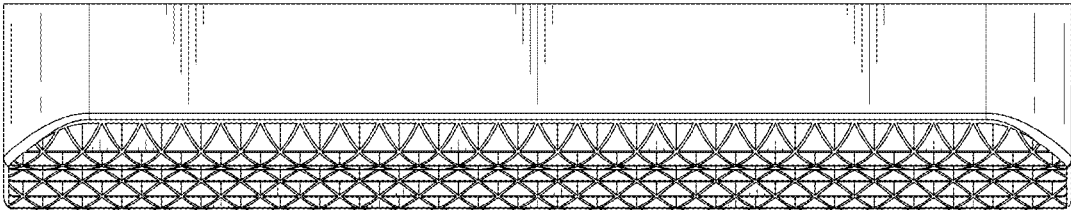


FIG. 6

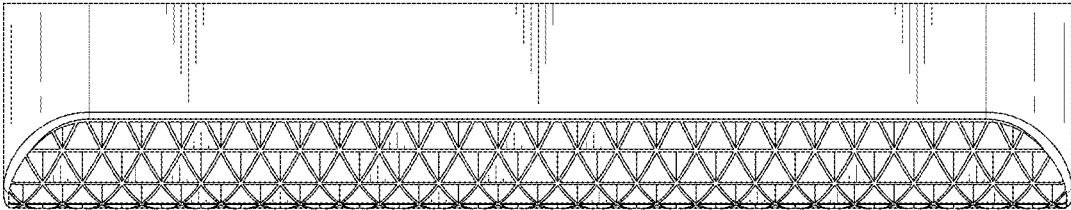


FIG. 7