



US00D622827S

(12) **United States Design Patent**
Soulier

(10) **Patent No.:** **US D622,827 S**

(45) **Date of Patent:** **** Aug. 31, 2010**

(54) **PLUMBING FIXTURE**

Eljer. "Valencia bidet". Model No. 101-1250. Eljer catalog.

(75) Inventor: **Jean-Hugues Soulier**, Paris (FR)

Primary Examiner—Robert A Delehanty

(73) Assignee: **Kohler France SAS**, Paris (FR)

(74) *Attorney, Agent, or Firm*—Quarles & Brady LLP

(**) Term: **14 Years**

(57) **CLAIM**

(21) Appl. No.: **29/356,947**

The ornamental design for a plumbing fixture, as shown and described.

(22) Filed: **Mar. 4, 2010**

Related U.S. Application Data

DESCRIPTION

(62) Division of application No. 29/320,614, filed on Jun. 30, 2008, now Pat. No. Des. 613,836.

FIG. 1 is a left, top, front perspective view of a plumbing fixture embodying my new design;

(30) **Foreign Application Priority Data**

FIG. 2 is a top plan view thereof;

Jan. 4, 2008 (EM) 000853338-0002

FIG. 3 is a left side elevational view thereof;

Jan. 4, 2008 (EM) 000853338-0003

FIG. 4 is a right side elevational view thereof;

Jan. 4, 2008 (EM) 000853338-0004

FIG. 5 is a front elevational view thereof;

(51) **LOC (9) Cl.** **23-02**

FIG. 6 is a bottom plan view thereof;

(52) **U.S. Cl.** **D23/295**

FIG. 7 is a rear elevational view thereof; and,

(58) **Field of Classification Search** D23/273-274,
D23/295-301, 309; 4/663-664, 300, 329,
4/353, 420, 443, 449, 902

FIG. 8 is a right, top, front perspective view of a plumbing fixture according to another embodiment of my new design, the various views of thereof being mirror images of the respective views shown in FIGS. 2-7.

See application file for complete search history.

The broken line representations in the figures are for the purpose of illustration only, and form no part of the claimed design.

(56) **References Cited**

In a preferred embodiment, the nature of this product is as a plumbing fixture in the form of a wall-hangable bidet or toilet.

U.S. PATENT DOCUMENTS

D508,116 S 8/2005 Tani et al.
D592,293 S 5/2009 Maruhashi

OTHER PUBLICATIONS

Jacob Delafon. Abattant Toilette/water closet. Jacob Delafon online catalog.

1 Claim, 4 Drawing Sheets

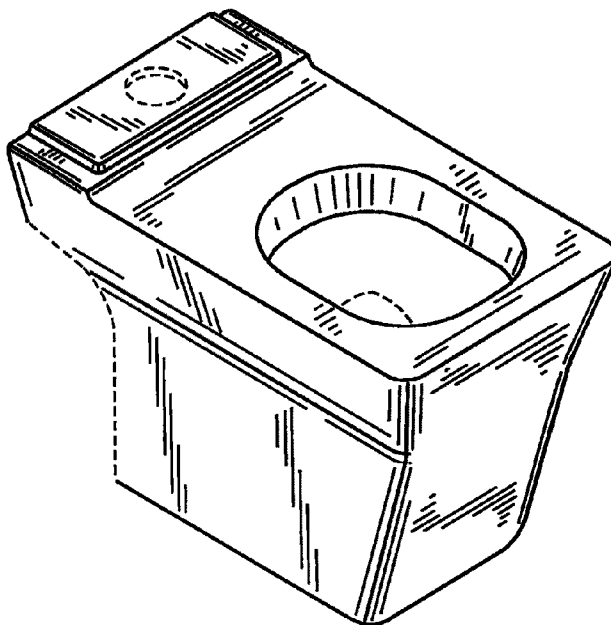


FIG. 1

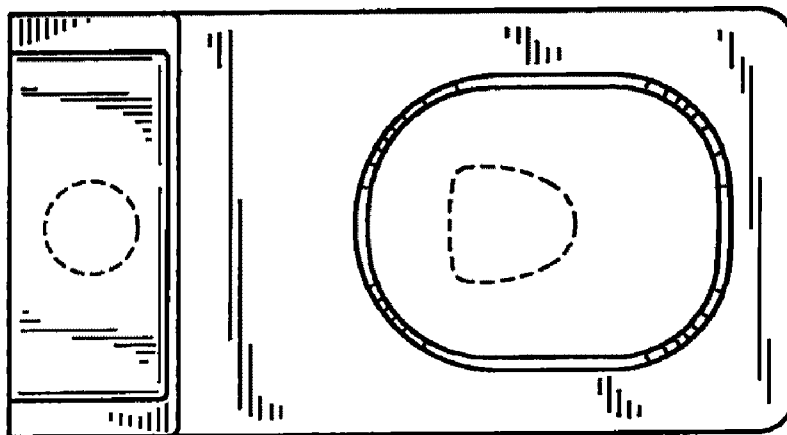
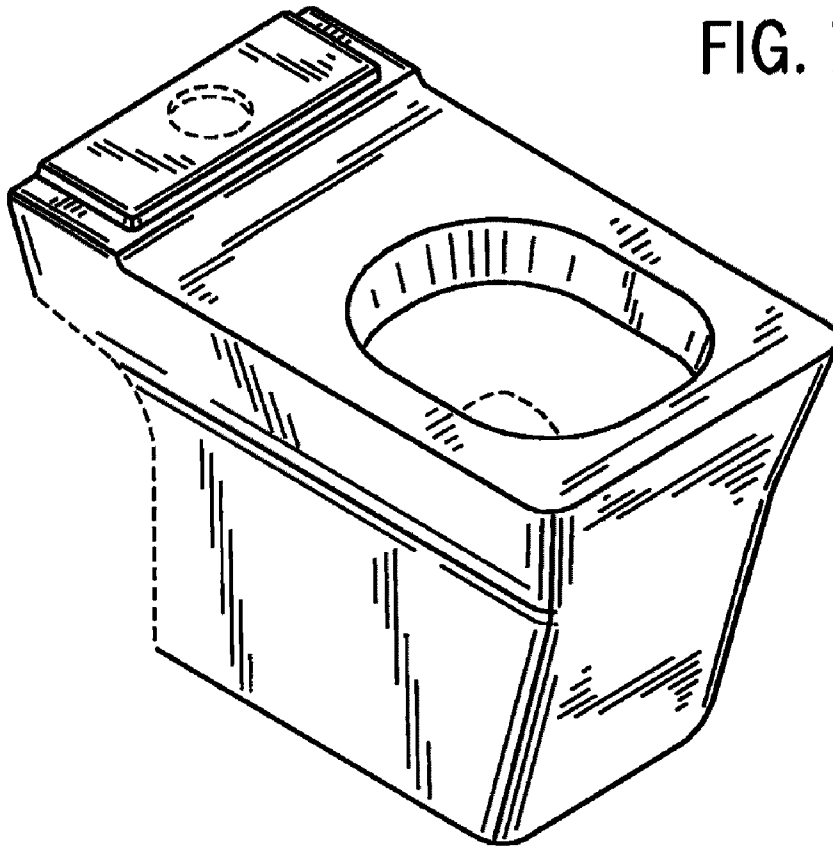


FIG. 2

FIG. 3

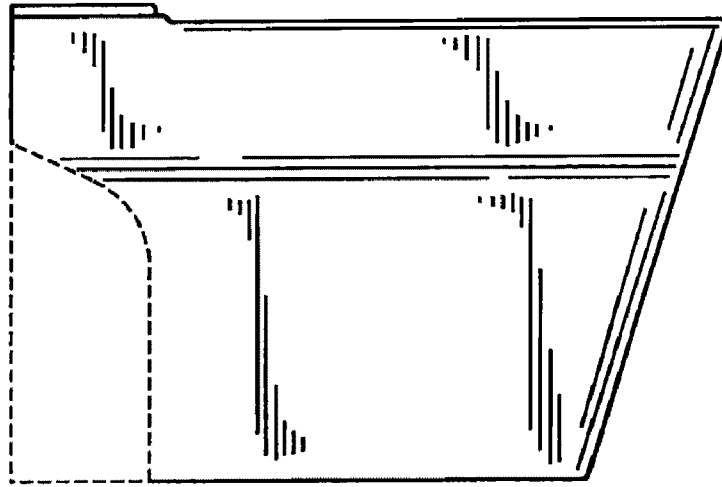


FIG. 4

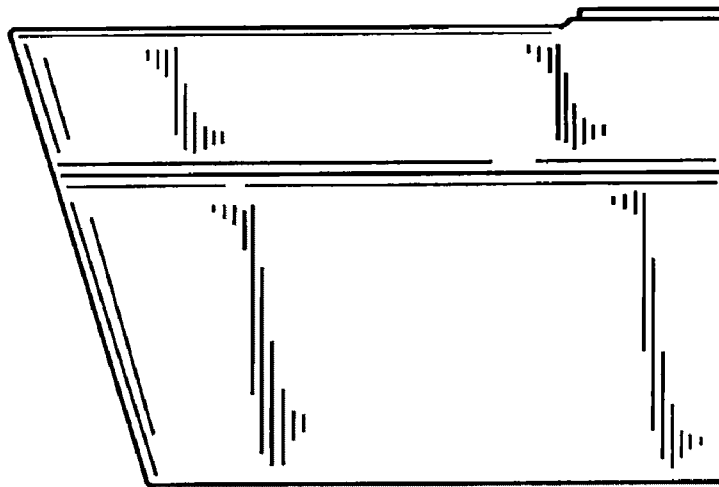


FIG. 5

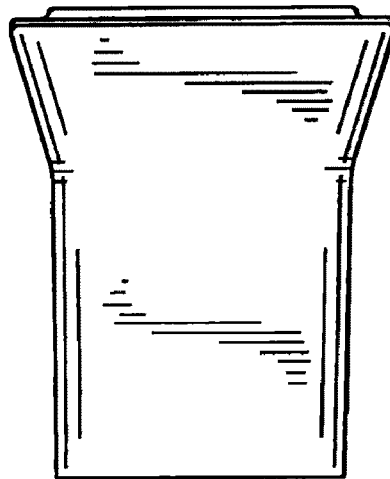


FIG. 6

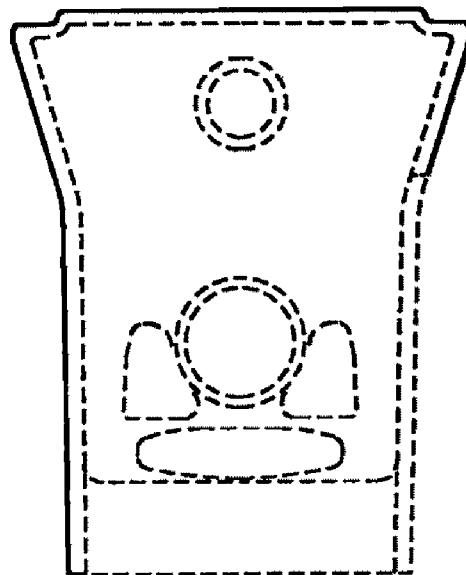
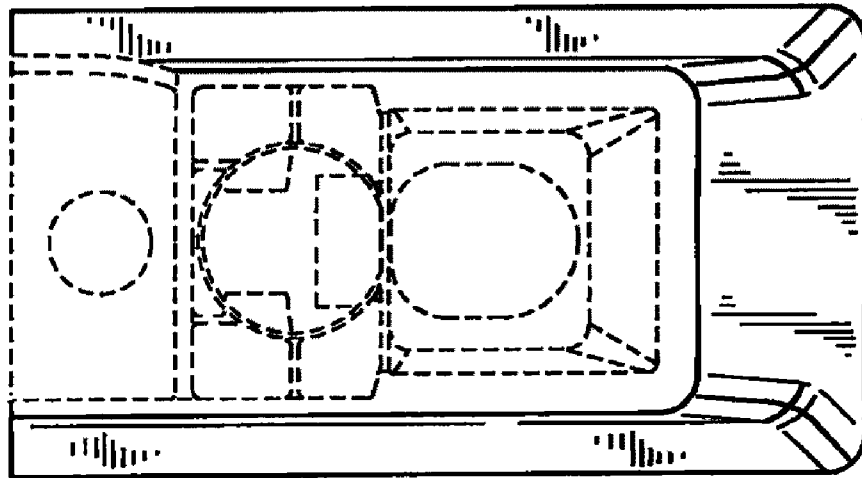


FIG. 7

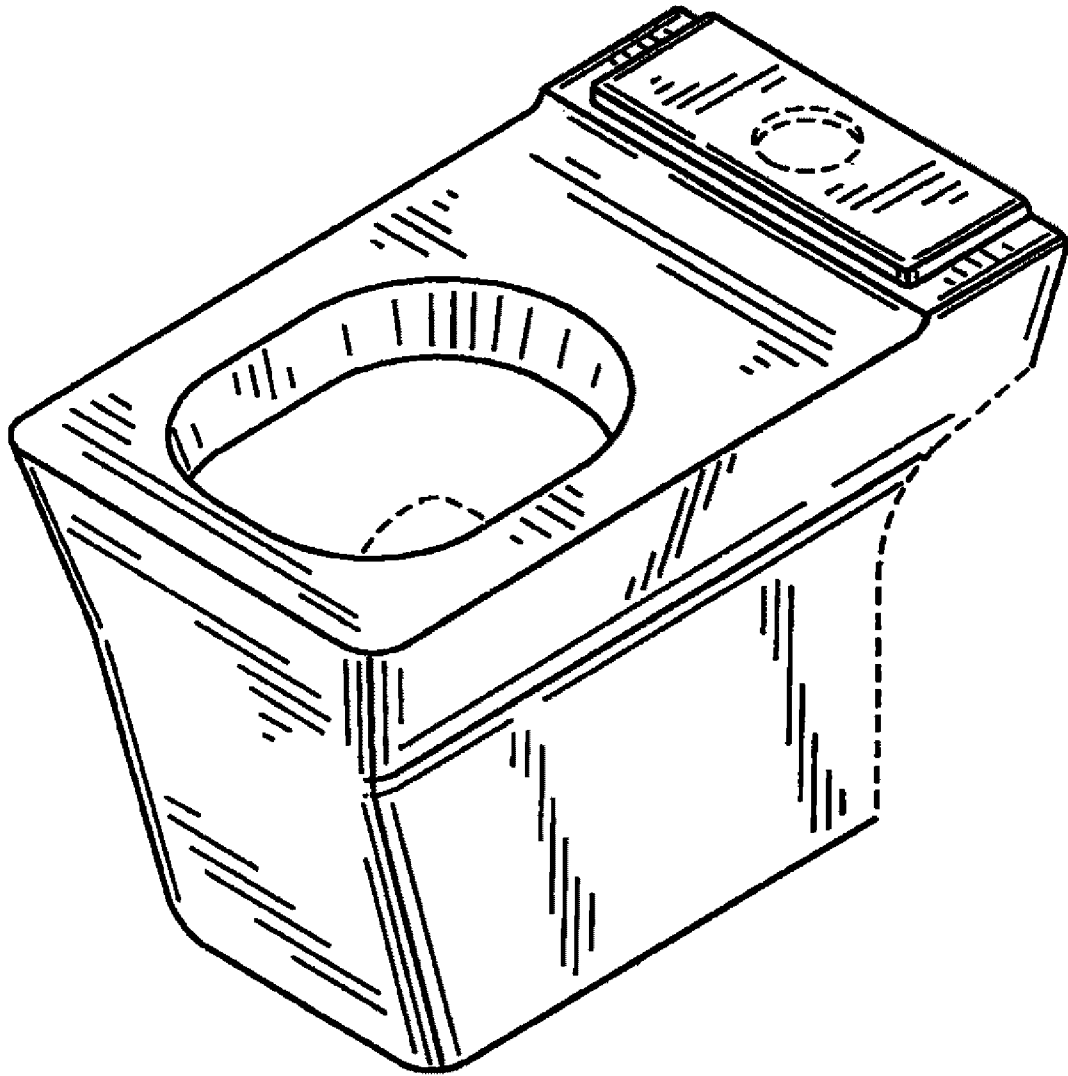


FIG. 8