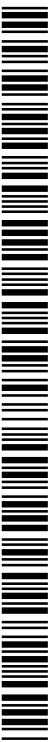




- (51) **International Patent Classification:**
H04W 48/18 (2009.01) *H04W 88/10* (2009.01)
- (21) **International Application Number:**
PCT/EP2016/056967
- (22) **International Filing Date:**
30 March 2016 (30.03.2016)
- (25) **Filing Language:** English
- (26) **Publication Language:** English
- (30) **Priority Data:**
15162079.6 31 March 2015 (31.03.2015) EP
- (71) **Applicant:** **BRITISH TELECOMMUNICATIONS PUBLIC LIMITED COMPANY** [GB/GB]; 81 Newgate Street, London EC1A 7AJ (GB).
- (72) **Inventors:** **RINGLAND, Simon**; PP:C5A BT Centre, London EC1A 7AJ (GB). **SCAHILL, Francis**; PP:C5A BT Centre, London EC1A 7AJ (GB). **EVENDEN, Richard**; PP:C5A BT Centre, London EC1A 7AJ (GB).
- (74) **Agent:** **CHAN, Robin**; Intellectual Property Department, Ground Floor, BT Faraday Building, 1 Knightrider Street, London EC4V 5BT (GB).

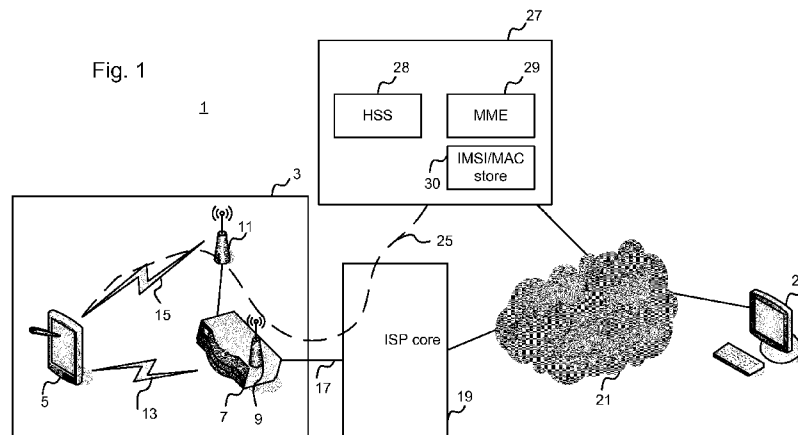
- (81) **Designated States** (unless otherwise indicated, for every kind of national protection available): AE, AG, AL, AM, AO, AT, AU, AZ, BA, BB, BG, BH, BN, BR, BW, BY, BZ, CA, CH, CL, CN, CO, CR, CU, CZ, DE, DK, DM, DO, DZ, EC, EE, EG, ES, FI, GB, GD, GE, GH, GM, GT, HN, HR, HU, ID, IL, IN, IR, IS, JP, KE, KG, KN, KP, KR, KZ, LA, LC, LK, LR, LS, LU, LY, MA, MD, ME, MG, MK, MN, MW, MX, MY, MZ, NA, NG, NI, NO, NZ, OM, PA, PE, PG, PH, PL, PT, QA, RO, RS, RU, RW, SA, SC, SD, SE, SG, SK, SL, SM, ST, SV, SY, TH, TJ, TM, TN, TR, TT, TZ, UA, UG, US, UZ, VC, VN, ZA, ZM, ZW.
- (84) **Designated States** (unless otherwise indicated, for every kind of regional protection available): ARIPO (BW, GH, GM, KE, LR, LS, MW, MZ, NA, RW, SD, SL, ST, SZ, TZ, UG, ZM, ZW), Eurasian (AM, AZ, BY, KG, KZ, RU, TJ, TM), European (AL, AT, BE, BG, CH, CY, CZ, DE, DK, EE, ES, FI, FR, GB, GR, HR, HU, IE, IS, IT, LT, LU, LV, MC, MK, MT, NL, NO, PL, PT, RO, RS, SE, SI, SK, SM, TR), OAPI (BF, BJ, CF, CG, CI, CM, GA, GN, GQ, GW, KM, ML, MR, NE, SN, TD, TG).

Published:
— with international search report (Art. 21(3))



WO 2016/156436 A1

(54) **Title:** INTERFACE SELECTION



(57) **Abstract:** A wireless router having a WiFi wireless network and including a small cell for routing LTE cellular data to a mobile network core is configured to monitor connected mobile devices and determine whether each mobile device should be connect to the hub using WiFi or LTE in accordance with the current utilisation of the WiFi network and the current utilisation of the LTE small cell. Since the small cell data traffic transmitted in a data tunnel to the mobile network core is accessible to the monitor, the network identity information of the device's WiFi interface and the device's LTE interface can be determined by consulting an address mapping store in the cellular mobile network core. Furthermore presence information can be determined by detecting connection and disconnection messages between the mobile device and cellular network core.

Interface selection

Field of the Invention

The present invention relates to data networks and in particular to a method and apparatus for selecting a network interface for use by a mobile device.

5 Background of the Invention

A typical broadband setup involves a router device with a Digital Subscriber Line (DSL) or cable link to an Internet Service Provider (ISP) connected to wide area networks such as the Internet and resources such as file/video/content servers and other correspondent nodes.

10

Typically, many mobile devices do not have wired interfaces such as Ethernet to connect to the router using a wired connection. To address this, and to provide flexible connectivity, the IEEE 802.11 family of standards relating to "Wi-Fi" is now a popular system for allowing computing devices to communicate wirelessly using radio wave transmission. Groups of
15 computing devices all communicating via a common wireless access point are known as wireless local area networks (WLANs).

In such systems, when a mobile device is in communication with a correspondent node, application data is sent in IP data packets from a mobile device to the wireless access point via Wi-Fi, from the router to the ISP core network via xDSL and from the ISP core to wide area
20 network protocols to reach the correspondent node.

Mobile/Cellular networks also provide data connectivity although typically over a wide area instead of local area in WLANs. Mobile Network Operators (MNOs) maintain Public Land Mobile Networks (PLMNs) formed of a number of radio base stations known as macrocells
25 connected to a network core which provides control functions as well as connectivity to wide area networks such as the Internet. An example of a cellular network protocol is Long Term Evolution (LTE) sometimes known as 4G.

In order to supplement the coverage of macrocells, shorter range base stations such as picocells and femtocells, collectively known as small cells, are being deployed. In addition to
30 the smaller geographical coverage, the small cells differ from macrocells in that they are connected to the mobile network core, an Evolved Packet Core (EPC) in LTE, using a

broadband connection instead of dedicated cabling. This allows LTE small cells to be co-located or even integrated into a wireless access point router device.

In LTE small cells, when a mobile device is in communication with a correspondent node using a small cell instead of Wi-Fi, application data is sent in IP data packets from the mobile device
5 to the small cell in the router via LTE, from the router to the ISP core network via xDSL, from the ISP core to a mobile network core, and from the mobile network core to a, or a number of, wide area networks to reach the correspondent node.

Today there are many mobile devices which combine both Wi-Fi and Cellular (LTE in
10 particular) radios allowing the ability to connect to wide area network resources via both Wi-Fi and cellular protocols. Typically, the mobile devices are configured to only use one of the wireless technologies at any given time to save power. Therefore when both types of wireless network are available, a decision must be made over which connection to use in any given circumstance.

15 The general behaviour is for *the device* to select Wi-Fi in preference to cellular whenever it is available. Whilst this is a simple decision, it can be inefficient as this behaviour takes no account of the quality of connection available on each radio and also takes no account of the overall loading on each network.

The present invention addresses the above problem.

20

Summary of the Invention

The present invention accordingly provides, in a first aspect, a method for determining the presence of a mobile device having a non-cellular wireless network interface and a cellular network interface, the mobile device having variable connectivity, the method comprising:
25 monitoring control messages passing between the mobile device and a network core control function; and updating the device presence information in accordance with the detection of control messages.

The present invention accordingly provides, in a second aspect, an apparatus for determining
30 the presence of a mobile device having a non-cellular wireless network interface and a cellular network interface, the mobile device having variable connectivity, comprising: means for monitoring control messages passing between the mobile device and a network core control

function; and means for updating the device presence information in accordance with the detection of control messages.

The present invention accordingly provides, in a third aspect, a computer program element 5 comprising computer program code to, when loaded into a computer system and executed thereon, cause the computer to perform the steps of the method set out above.

Brief Description of the Drawings

A preferred embodiment of the present invention will now be described, by way of example only, with reference to the accompanying drawings, in which:

10 Figure 1 schematically shows an example network architecture according to a first embodiment;

Figure 2 schematically shows the physical components of a hub device for managing data connections to local devices;

15 Figure 3 schematically shows the functional components of the hub device in Figure 2 in accordance with the first embodiment;

Figure 4 schematically shows the functional components of a radio steering function of the hub;

Figure 5 schematically shows the physical components of a mobile device; and

Figure 6 schematically shows the functional components of the mobile device.

20 Detailed Description of the Preferred Embodiments

Figure 1 provides an overview of a data network 1 in accordance with the first embodiment. Within a user premises 3 such as a home or office environment, a mobile device 5 such as a mobile phone, tablet or laptop is shown connected to a wireless access point and router device 7, hereinafter referred to as a hub 7.

25

The hub 7 contains a WiFi access point 9 which generates and maintains a wireless local area network (WLAN) in accordance with a WiFi protocol such as IEEE 802.11ac for a surrounding area, such as the user premises 3, to enable the mobile device 5 to connect and communicate with the hub 7 via the WLAN.

The hub 7 is connected to a standalone small cell 11 which provides LTE data connectivity to the user device 5 within a small zone around the hub 7. For ease of explanation, the range of the small cell 11 is assumed to be limited to the extent of the user premises 3.

The mobile device 5 therefore has data connections to the hub 7 and can create a data path 5 to any correspondent node 23 via two types of wireless protocol, in this case a WiFi data link 13 which initially carries WiFi data packets 13 and cellular network data link 15 which starts with data packets transferred via LTE to the small cell 11 associated with the hub 7 and tunnelled to the cellular network data core 27.

The hub 7 generally functions as a routing device for data transfer between any connected 10 local devices 5 and also connects those devices 5 to resources on wide area networks such as the Internet 21. The hub contains a wide area network interface, in this embodiment, an xDSL modem for communication over a copper and/or optical fibre link 17 to an ISP core network 19 which itself provides links to wide area network 21 resources such as the Internet and correspondent nodes 23 such as video servers, file servers and other users, etc.

15 The ISP core 19 contains the termination points for the copper/fibre link 17 and functionality to connect the hub 7 data sessions to resources available on wide area networks such as the Internet 21. Billing and user authentication is also handled by the ISP core 19.

Although the WiFi link 13 and LTE link 15 are both wireless links from the mobile device 5 which traverse the hub 7, the onward processing of data packets within those links is handled 20 differently.

For WiFi, the packets are forwarded to the ISP core 19 which is responsible for forwarding the data to a packet destination, such as the correspondent node 23 via the Internet 21.

In contrast, the small cell 11 has similar functionality to a short range cellular network macrocell and therefore a mobile device 5 will link to the small cell 11 in accordance with 25 standard LTE handover and idle mode reselection procedures. The small cell 11 maintains a data tunnel 25, for example using Generic Routing Encapsulation (GRE) and IPSec, to a cellular network core 27. Data packets from the mobile device 5 travel via the LTE link 15 to the small cell 11 and then through the tunnel 25 via the hub 7 and the ISP core 19 to the cellular network core 27 which is responsible for routing data to the Internet 21 and correspondent 30 node 23. Typically, since the small cell 11 is a standalone device, the contents of LTE data flow are encrypted and sent along the tunnel 25 so the hub 7 has no visibility of addressing information. However in this embodiment, the hub 7 is provisioned with the encryption key required to read the tunnelled data and can therefore read packet contents to determine the addressing information.

As is conventional, the network core 27 contains a Home Subscriber Server (HSS) 28 and a Mobility Management Entity (MME) 29. As will be explained in more detail later, the cellular network core 27 further includes an IMSI-MAC store 30.

As a result, there are two logically separate data paths between the mobile device 5 and the correspondent node 23 and data packets in the paths will both travel from the mobile device 5 through the hub 7 and the network core 19 but then take different paths on the way to the correspondent node 19.

A conventional mobile device 5 will only use one interface at a time, i.e. only the WiFi link 13 or only the LTE link 15. Furthermore, the standard behaviour is that if WiFi functionality is enabled on the mobile device 5 and a working WiFi network connection is available, then the mobile device 5 will use the WiFi link 13 in preference to the LTE link 15. The LTE function is usually disabled on the mobile device to save power.

Overview of the processing of the invention

In summary, the processing in the first embodiment relates to a hub 7 configured to control which wireless protocol interface a mobile device 5 uses to connect to external network 21 resources. Unlike the conventional situation where a mobile device 5 itself or the user of the device decides which interface to use, the hub 7 determines which interface should be used based on the network utilisation of each interface by other devices connected to the same local network. Furthermore methods are described for determining the network identifiers of a device on WiFi and LTE so that data sessions can be redirected.

The steering procedure can be carried out at any time rather than just at the initial connection. For example, the hub 7 can re-evaluate the connections every few minutes. In another case, any time a new device 5 tries to connect to the hub 5, the connections for all devices 5 are re-evaluated.

25 Description of the components

In the first embodiment, the connection selection and steering functionality of the hub 7 relies on interaction between an application installed on the mobile device 5 and interaction with the management functions of the cellular network core 27. Therefore the structure and components of the hub 7 and mobile device 5 will be described briefly before a discussion of the interaction between the functional components of the small cell 5 and hub 7.

Figure 2 shows the physical components of a hub 7 device according to the first embodiment. As shown the hub 7 has a central processor 31 for controlling the overall operation of the hub 7 in accordance with processing instructions stored in a memory store 33 which is a combination of Random Access Memory (RAM) and also Read Only Memory (ROM).

5 For connectivity with external devices, the hub 7 also includes wireless and wired network interfaces. A WiFi controller 35 and a WiFi antenna 37 provides wireless local area network (WLAN) connectivity and in this embodiment, the standalone small cell base station 11 and a LTE antenna 41 are attached to an Ethernet interface 43 of the hub 7 for providing cellular network access. The hub 7 also includes a wide area network controller 45, in this embodiment,
10 a Very High bit-rate Digital Subscriber Line (VDSL) modem which provides connectivity to wide area networks such as the Internet 21 and ISP core 19 services over a copper twisted pair and fibre line. The components are all interconnected via an internal data bus 47.

When computer instructions stored in the working memory 33 are executed by the processor 31, the hub 7 can be regarded as a number of functional units involving a combination of
15 hardware and software processing.

Figure 3 shows the functional units of the hub 7 when the processor executable instructions stored in the working memory 33 are being executed by the processor 31 and the physical components are configured in accordance with the first embodiment.

20 The hub 7 includes a WiFi access point 9 function for sending and receiving data packets from WLAN devices using 802.11ac data protocol. For wired communication, the hub 7 also includes a wired interface 51 for communication with any local wired devices (not shown) and the hub also has WAN interface 53 for wired communication with external networks.

Although as shown in Figure 2, the small cell 11 connects to the wired interface 51, for ease
25 of explanation, the small cell 11 is shown connected to a separate functional interface, small cell interface 59.

To connect and coordinate the flow of data packets between the various local network wireless and wired interfaces 9, 51, the small cell interface 59 and the WAN interface 53, the hub 7 includes a packet routing function 55 which is responsible for inspecting the header information
30 of each incoming packet from any of the interfaces, determining the destination of the packet and forwarding each packet to the appropriate network interface 9, 51, 53, 59 for delivery to the destination.

In accordance with the first embodiment, the hub 7 includes processing to decide whether a connected device 5 should use the WiFi access point 9 or the standalone small cell 11 for data communications via the WiFi path 13 or the LTE path 15 with correspondent nodes 19. The decision is based on a number of factors, including the current status of the hub 7 such as whether any other devices (not shown) are transmitting/receiving data which affects the available data capacity available.

Another factor is whether the device 5 is connected to both the WiFi access point 9 and the cellular access point 11 at a given point in time.

Therefore the hub 7 also includes a radio steering function 57 for determining which interface should be used.

Figure 4 shows the radio steering function 57 in more detail.

The main component of the radio steering function 57 is a radio selector 61 that is connected to a number of inputs and data stores. The data stores include a small cell information store 63, a device information identifier 65, a device identity store 67, a cellular network quality analyser 69, a WiFi network quality analyser 71 and a device notifier 73.

In this embodiment, the radio steering function 57 relies on communication with functions in the mobile device 5, therefore the components of the mobile device will now be described before explaining the interaction of the radio steering function 57 and functional components of the mobile device 5.

Figure 5 shows the main functional components of a mobile device in accordance with the first embodiment. The mobile device includes a processor 101, a working memory 103 having both Random Access Memory (RAM) and Read Only Memory (ROM), a cellular network interface 105, a WiFi network interface 107, a display 109 and input device 111 such as a touchscreen. The internal components are connected via common data bus 113.

When processor implementable instructions stored on the working memory 103 are executed by the processor 101, the mobile device 5 can be regarded as a number of functional components.

Figure 6 shows the functional components of the mobile device 5. The mobile device 5 has a LTE interface 121, a WiFi interface 123 and standard mobile device functionality 125 such as phone, data and display functions which are present but do not form part of the present invention and will not be described.

5 In this embodiment, the mobile device 5 contains an application which performs functions to aid the hub 7 in steering the device between a WiFi and LTE data connection, when the application code is executed by the processor 101, the mobile device 5 is configured to also include a WiFi/LTE processor 127, a hub steering interface 129, a wireless link quality measurement function 131, a cellular link quality measurement function 133, and a data link
10 selection store 135.

The LTE interface 121 and WiFi interface 123 include the controller software and hardware for LTE and WiFi data communication respectively.

Now that the components of the mobile device 5 have also been introduced, for ease of
15 explanation, the steering processing of the hub 7 in the first embodiment will be explained in relation to a single mobile device 5 connecting to the hub 7. In practice the hub 7 is operable to provide steering functionality to multiple devices 5.

Returning to Figure 4 showing the hub 7, the small cell information store 63 contains
20 information about the LTE small cell 11 connected to the hub 7 which in this embodiment is a standalone small cell 11 of into the hub 7. In particular it contains LTE operational parameters including the MNC, MCC, tracking area identifier (TAI) and cell ID of the integrated small cell. The small cell information store 63 is also configured with information indicating whether the small cell supports local breakout services. The parameters are obtained from the ISP core 27
25 using a remote hub management protocol such as TR-069 when the hub 7 is initialised.

As part of the initialisation, an IMSI-MAC store 30 in the cellular network core 27 is also created to maintain mappings between a connecting mobile device's International Mobile Subscriber Identity (IMSI), International Mobile Station Equipment Identity (IMEI) and a MAC address of the wireless access point 9.

30 Example contents of the IMSI-MAC store 30 are set out below.

MAC	IMSI
-----	------

5C-F8-A1-11-22-3C	0234151122334455
5C-F8-A1-FF-10-24	0234151231231234
5C-F8-A1-06-9E-17	0234154445556667
5C-F8-A1-07-2B-15	0234159876543210

Device identity information

As an initialisation process, the WiFi/LTE processor 127 of the mobile device 5 is arranged to 5 instruct the LTE interface 123 to identify the device information on the device. In this embodiment, the LTE interface 123 obtains the IMSI using functions such as Android TelephonyManager.getSubscriberId(), the IMEI using TelephonyManager.getDeviceId function and Wi-Fi MAC address using WifiInfo.getMacAddress(). The identity information is sent to the IMSI-MAC store 30.

10

The device information identifier 65 is responsible for obtaining addressing information and other data relating to the mobile device. The device information identifier 65 interacts with the hub steering interface 129 of the mobile device 5 and provides the radio selector 61 with notifications and information when the mobile device 5 connects to the hub 7.

15 When the mobile device 5 connects via Wi-Fi, the local IP address assigned to the device 5 along with a device name is received by the device information identifier 65 and stored in the device ID store 67 as a mapping between the mobile device's Wi-Fi MAC address and the mobile device's IP address in an Address Resolution Protocol table.

Cellular connection state

20 When the mobile device 5 connects to the LTE small cell 11, since the tunnel data is available for inspection, the authentication messages passing between the small cell 11 and the mobile core 27 are monitored by the Device Identifier 65 function within the Radio Steering Function 57 as they pass through the hub 7. In particular, the hub 7 notes the IMSI within the NAS EPC Mobility Management Identity Response message. The Device Identifier 25 65 then adds the IMSI to the Connected Cellular Device list within the Device ID store 67 and notes that the device is "idle".

The device identifier 65 continues to monitor the S1AP interface between the small cell 11 and the network core 27 and will see E-RAB SETUP / E-RAB MODIFY / E-RAB RELEASE messages.

5

At a later time, on seeing a Context Setup message from that device 5, the Device Identifier 65 notes that device (IMSI) as "active" in the Connected Cellular Device list and therefore updates the information in the Device ID store 67.

10 At a later time, on seeing a Context Release message from that device 5, the Device Identifier 65 notes that device 5 (IMSI) as "idle" in the Connected Cellular Device list and also updates the Device ID store 67.

The device 5 may subsequently still be in paging range of the small cell 11, or may have moved to the coverage of another cell (not shown).

15

IMSI	State	Date/Time last updated
0234151122334455	active	2014-10-10 14:15:32
0234151231231234	idle	2014-10-10 14:10:17
0234159876543210	active	2014-10-10 14:13:44

Table 1 Connected Cellular Device List

To determine when the device has left cellular coverage rather than just being in idle mode:

20 Mechanism (a)

The hub radio steering function 57 sends a message to a "Wakeup" server (not shown) in the cellular network 27 which triggers the sending of a downlink packet to the device 5. This will cause a paging request to be sent to the device 5 via any bases stations such as small cell 11 in the current tracking area. The hub 7 will be able to see this paging request and spot whether there is any reply from the device 5. If there is no reply, the device 5 is removed from the Connected Cellular Device list

and the Device ID store 67 is updated accordingly. If the device 5 does reply, the reply will be followed by Context Setup messages and they will cause appropriate updates to the relevant tables as described above.

Mechanism (b)

5 When the mobile device 5 attaches to the small cell, the hub 7 registers with a modified EPC (not shown) to be informed when EPC is aware that the device is no longer attached to the small cell (e.g. when the device 5 attaches elsewhere, or moves into a new tracking area). When this change happens, the hub 7 is informed and it removes the device's 5 entry from the Connected Cellular Device list and the
10 Device ID store 67 is updated accordingly.

Monitoring Wi-Fi Connection State

15

The mobile device 5 also connects to the hub 7 and authenticates itself over a Wi-Fi connection using standard 802.11 protocols.

When the device 5 attaches via Wi-Fi, the hub 7 records the mapping between the mobile
20 device's Wi-Fi MAC address and its IP address in its ARP table.

The device identifier 65 then inserts or updates a row in the Device ID store 67 for that device as described below:

25 Updating the Device ID store 65

When there is a cellular or Wi-Fi connection state change, the Device Identifier 65 uses the IMSI or MAC address of the changed connection. It looks up the corresponding MAC or IMSI respectively in the IMSI-MAC store, if present. It then uses the two identifiers to search for any corresponding entry in the Device ID store 65 and either updates that entry, creates a
30 new entry or deletes the entry as appropriate, taking relevant information from the ARP table and Connected Cellular Device List. (Deletion occurs when neither cellular nor Wi-Fi identifiers are present for a given entry.)

When the mobile device 5 disassociates from the hub's 7 Wi-Fi, the hub 7 removes the corresponding entry from the ARP table. It then updates the Device ID store 67, clearing the Wi-Fi MAC address and IP address of the relevant entry.

5

It then stores this information in the hub's Device ID Store.

Wi-Fi MAC address	IP address on Wi-Fi	IMSI	Connection state to this hub / collocated femto
5C-F8-A1-11-22-3C	192.168.1.71	0234151122334455	active
5C-F8-A1-FF-10-24	192.168.1.72	0234151231231234	idle
5C-F8-A1-06-9E-17	192.168.1.73	0234154445556667	N/A
00-AB-AC-05-FF-2E	192.168.1.74	N/A	N/A
N/A	N/A	0234159876543210	active

Link quality

Having populated the Device ID store 67 with address information of the WiFi and LTE address information of the mobile device 5, the radio steering function 57 gathers link quality information for use in deciding which link (WiFi or LTE) should be used by the mobile device 5

Wi-Fi Connection Quality

A number of parameters are measured periodically by the Wi-Fi Quality Analyser 71 in the hub 7 regarding overall Wi-Fi channel load and the specific information about the Wi-Fi connection of the particular mobile device in question, using API calls on the drivers for the Wi-Fi interface. Parameters for overall link status include:

- (i) Channel Utilisation (same parameter as is broadcast in BSS Load element of 802.11 beacon);
- (ii) Channel noise level

20

Meanwhile for the device 5 specifics, measured parameters include:

1. Signal strength;
2. link physical rate (for data or control/management packets);
3. Downlink physical rate (for data or control/management packets);
- 5 4. RX Bytes (number of received bytes from the mobile device);
5. RX Packets;
6. TX Bytes;
7. TX Packets; and
8. TX Retries

10

From the collected parameters, further metrics are calculated by the Wi-Fi quality analyser 71 including:

- Uplink and downlink average data rates are calculated based on the differences between consecutive TX/RX bytes figures (with smoothing over time).
- 15 • Percentage packet error rates are calculated as $100 \times (\text{TX Retries}_{n+1} - \text{TX Retries}_n) / (\text{TX Packets}_{n+1} - \text{TX Packets}_n)$ with smoothing over time
- Individual device channel utilisation is estimated by combining info on packets / bytes send and received with info on the physical rates used.

20 Furthermore in this embodiment, the wireless link quality measurement function 131 of the mobile device 5 is configured to perform similar active speed tests to a predefined URL provided by the WiFi quality analyser 71 on the hub 7 and provide a device-side view of the connection quality using similar parameters to those measured by the hub 7. The wireless link quality measurement function 127 forwards the results to the Wi-Fi Quality Analyser 71
25 of the hub 7 to improve the connection quality estimate.

A Wi-Fi connection quality figure is derived by the Wi-Fi Quality Analyser 71 from the above data and compared against a predefined poor connection threshold, e.g. a points score for each individual measure specified in a predefined table, and added up across all
30 the measures. If total score is below threshold, the connection is considered poor.

Alternatively a number of separate measures are calculated and individually compared to a set of predefined poor connection performance thresholds, e.g. signal strength < -85dBm; retry rate > 50% and physical rate < 5Mbps. If any measure fails, or a subset of thresholds
35 fail, the connection is considered poor.

The processing of the WiFi quality analyser 71 is carried out even if the mobile device 5 is no-longer connected to Wi-Fi, e.g. if it has been disassociated because of poor connection quality. The Wi-Fi Quality Analyser 71 of the hub 7 will continue to monitor the device's Wi-Fi probe requests in order to detect improvements in signal strength, which will be a means of
5 determining whether to steer the device back to Wi-Fi.

On the other hand, if the device is still associated to Wi-Fi but user traffic is being routed over the small cell 11 due to a poor Wi-Fi connection quality decision, then statistics for Wi-Fi management and control packets (including null data packets) are monitored to determine
10 when the connection is no-longer considered poor.

Cellular Connection Quality

In this embodiment, the cellular quality analyser 69 relies on interaction with the cellular link quality measurement function 133 of the mobile device 5 to provide it with LTE information
15 regarding the cellular link quality for analysis.

In this embodiment, a number of parameters are periodically measured by the cellular link quality measurement function 133 on the mobile device, and passed to the cellular quality analyser 69 over an http connection over the wireless access point 9. For resilience the data can also be sent to a network server (not shown) within the ISP core 19 and retrieved by the
20 cellular quality analyser 69 if the Wi-Fi connection is down.

In this embodiment, the following information is gathered by the cellular link quality measurement function 125 and sent to the cellular quality analyser 69:

- Connected cell id
- Speed test – a http speed test to an internet based server
- 25 • LTE signal strength and quality parameters of the device's cellular connection: RSRP and RSRQ (Reference Signal Received Power and Reference Signal Received Quality)

Traffic Steering Decision

30 The radio selector 61 is responsible for selecting the data link type that should be used by the mobile device using the device ID information, Wi-Fi link quality and cellular link quality parameters. The radio selector 61 compares the quality of the available connections and, based on a pre-defined policy and rules, makes a decision over which connection to select, taking into account not only information from the individual device, but all the information

gathered about the each connected device and the overall conditions, including loading, on each radio interface.

In general, the WiFi connection is considered to be the default preferred link unless the LTE link is determined to be significantly better. For example the decision policy could be:

```

5 Choose LTE if:
  (
    LTE Cell ID is a member of the set of BT Cell IDs
  )
  AND
10 (
    (
      The LTE speed test result > 1.5* WiFi Speed Test Result
    AND
      the LTE RSRP > -100dBm
15    )
    OR
    (
      WiFi RSSI < -85 dBm
    )
20 )
  AND
  (
    WiFi RSSI < -55 dBm
  )
25 AND
  (
    Total load on LTE Cell <70%
  )
  ELSE
30 choose Wi-Fi

```

In the first embodiment, the radio selector 61 is configured to determine the preferable radio link on device connection, but also periodically, such as every 5 minutes, to account for variations in link quality and stability.

35 *Traffic Steering Implementation*

Once the radio selector 61 has determined a link for use, the device notifier 73 is responsible for informing the mobile device 5 of the decision so that action can be taken by the mobile device 5.

In this embodiment, the device notifier 73 uses two different methods, using hub signalling or
40 communicating via the hub steering interface 131 of the mobile device 5.

In the first method, the device notifier 73 uses a mobile device's standard bias to use WiFi whenever possible in preference to cellular data.

If the decision is to use LTE:

The device notifier 73 sends the hub steering interface 129 of the mobile device 5 a message of the decision to use WiFi and the result is stored in the data link selection store 135. Furthermore, the device notifier 73 issues a WiFi BSS Transition Management Frame to the mobile device 5 requesting the device to disassociate from WiFi, with an empty candidate list of alternative Wi-Fi APs. The device notifier 73 also configures the wireless access point 9 of the hub 7 to reject subsequent association attempts by the mobile device 5 until the radio selector 61 decides that Wi-Fi has become the preferred link.

For Passpoint R2 enabled mobile devices, an alternative is to send the device a Deauth frame, specifying a minimum time before the device retries.

If the decision is to use Wi-Fi:

The device notifier 73 sends the decision to the data link selection store 135 configures the Wifi interface 121 to Accept (or stop rejecting) association requests from the mobile device 5 when it next attempts to connect.

15

Using an application to implement traffic steering decision

In a second mode of operation, the device notifier 73 sends a message to the WiFi/LTE processor 127 of the mobile device 5 via the hub steering interface 131, indicating the chosen radio access.

20 If the decision is to use LTE:

In response to an instruction to use LTE, the WiFi/LTE processor 127 causes the WiFi interface 121 to disconnect the Wi-Fi connection, or modifies a routing table in the data link selection store 135 so that the mobile device 5 routes data from applications over the LTE interface 123.

If the decision is to use Wi-Fi:

25 In response to an instruction to use WiFi, the WiFi/LTE processor 127 forces the WiFi interface to reconnect to Wi-Fi (if it is currently disconnected) and/or adjusts the routing table to route all (or selected) traffic over Wi-Fi.

The WiFi/LTE processor 127 can also be configured with a routing policy enabling selective routing of traffic flows over cellular and over Wi-Fi.

30

In accordance with the processing of the first embodiment, a hub 7 directs any connected devices to use either WiFi or LTE for data connectivity so that no changes are required to the functioning of the mobile devices beyond installation of an application to communicate
5 information to the hub. Furthermore the radio selection is managed by the hub 7 having a Wi-Fi access point and a standalone small cell which has access to more detailed information about the performance of the various data links upon which to base a selection decision rather than just information about an individual device's connection. Therefore a better decision, optimised across all connected devices can be determined, rather than a poor
10 decision made on limited information concerning a single device's connectivity.

Alternatives and Modifications

In the embodiment, the WiFi/LTE processor 127 running as an application on the phone is used to provide MAC to IMSI mappings to the hub 7.

15 In an alternative, the hub 7 is configured to operate a private network as well as a public hotspot network. The radio selector 61 and device notifier 73 of the hub 7 is configured to interact with a user of the mobile device 5. The user is first requested to make the mobile device WiFi interface 121, forget the "private" Wi-Fi SSID of the hub 7.

20 The WiFi interface 121 of the device 5 will then attempt to connect to the public SSID on the hub 7, using EAP-SIM authentication. This authentication contains both a subscriber identifier on the mobile network and the Wi-Fi MAC address of the device. The Device Identifier 65 within the Radio Steering Function 57 notes the device's Wi-Fi MAC address and IMSI by inspecting the Radius authentication messages and store the mapping in the
25 IMSI-MAC Store 30.

The user is then requested to reconfigure the credentials for the hub's "private" Wi-Fi SSID on the mobile device 5.

30 In a further alternative, The Device bootstraps its connection to an Open Mobile Alliance Device Management (OMA-DM) server with an identification of IMSI. OMA-DM server makes a request for DevDetail MO, which has the option for an "Ext" extension into which Wi-Fi

MAC address. The OMA-DM server then stores the IMSI / MAC address mapping in the IMSI-MAC store.

In the embodiment the hub 7 had access to the encryption key to decrypt tunnelled packet data. In an alternative, the small cell tunnel to the cellular network core does not use IPsec
5 and therefore the tunnel contents are not encrypted.

In the embodiment, the small cell was a standalone device. In an alternative, the small cell is fully integrated with the hub 7 and therefore the hub can directly access the internal state and addressing information of the small cell.

10 Insofar as embodiments of the invention described are implementable, at least in part, using a software-controlled programmable processing device, such as a microprocessor, digital signal processor or other processing device, data processing apparatus or system, it will be appreciated that a computer program for configuring a programmable device, apparatus or system to implement the foregoing described methods is envisaged as an aspect of the present
15 invention. The computer program may be embodied as source code or undergo compilation for implementation on a processing device, apparatus or system or may be embodied as object code, for example.

Suitably, the computer program is stored on a carrier medium in machine or device readable form, for example in solid-state memory, magnetic memory such as disk or tape, optically or
20 magneto-optically readable memory such as compact disk or digital versatile disk etc., and the processing device utilises the program or a part thereof to configure it for operation. The computer program may be supplied from a remote source embodied in a communications medium such as an electronic signal, radio frequency carrier wave or optical carrier wave. Such carrier media are also envisaged as aspects of the present invention.

25 It will be understood by those skilled in the art that, although the present invention has been described in relation to the above described example embodiments, the invention is not limited thereto and that there are many possible variations and modifications which fall within the scope of the invention.

The scope of the present invention includes any novel features or combination of features
30 disclosed herein. The applicant hereby gives notice that new claims may be formulated to such features or combination of features during prosecution of this application or of any such further applications derived therefrom. In particular, with reference to the appended claims, features from dependent claims may be combined with those of the independent claims and features

from respective independent claims may be combined in any appropriate manner and not merely in the specific combinations enumerated in the claims.

CLAIMS

1. A method for selecting a data communication interface to be used by a mobile device having at least a wireless local area network interface connected to a wireless local area data network and a cellular network interface connected to a cellular data network, the method comprising a wireless access point carrying out the steps of:
- determining an identifier associated with a local wireless network adaptor of the mobile device;
 - monitoring control messages passing between the mobile device and a network core control function in the cellular data network to determine an identifier associated with the mobile device connected to the cellular data network;
 - associating the determined and retrieved identifiers with said mobile device including storing a mapping containing:
 - the identifier associated with the wireless network adapter of the mobile device;
 - and
 - the identifier associated with the cellular mobile device connected to the cellular data network;
 - determining first network operation parameters of the wireless local area data network;
 - determining second network operation parameters of the cellular network interface of the mobile device;
 - selecting one of the wireless local area network interface and the cellular network interface in accordance with the determined first and second network operation parameters;
 - and
 - causing the mobile device to use the selected network interface for any existing and new data sessions,
- wherein in response to the processing of the wireless access point, the mobile device is operable to use the selected network interface and disconnect from the non-selected network interface.
2. A method according to claim 1 further comprising determining device presence information regarding the presence of the mobile device on the cellular data network in accordance with the monitored control information messages.
3. A method according to claim 1 wherein control messages between the mobile device and the cellular network core are monitored by analysing the internal state of a local cellular base station.

4. Apparatus for selecting a data communication interface to be used by a mobile device having at least a wireless local area network interface connected to a wireless local area data network and a cellular network interface connected to a cellular data network, comprising:
- 5 means for determining an identifier associated with a local wireless network adaptor of the mobile device;
- means for monitoring control messages passing between the mobile device and a network core control function in the cellular data network to determine an identifier associated
- 10 with the mobile device connected to the cellular data network;
- means for associating the determined and retrieved identifiers with said mobile device including storing in a data store, a mapping containing:
- the identifier associated with the wireless network adapter of the mobile device;
- and
- 15 the identifier associated with the cellular mobile device connected to the cellular data network;
- means for determining first network operation parameters of the wireless local area data network;
- means for determining second network operation parameters of the cellular network
- 20 interface of the mobile device;
- means for selecting one of the wireless local area network interface and the cellular network interface in accordance with the determined first and second network operation parameters; and
- means for causing the mobile device to use the selected network interface for any
- 25 existing and new data sessions,
- wherein in response to the causing means, the mobile device is operable to use the selected network interface and disconnect from the non-selected network interface.
5. Apparatus according to claim 4, further comprising means for determining device
- 30 presence information regarding the presence of the mobile device on the cellular data network in accordance with the monitored control information messages.
6. Apparatus according to claim 4 or 5 wherein control messages between the mobile device and the cellular network core are monitored by analysing the internal state of a local
- 35 cellular base station.

7. A computer program element comprising computer program code to, when loaded into a computer system and executed thereon, cause the computer to perform the steps of a method as claimed in any of claims 1 to 3.

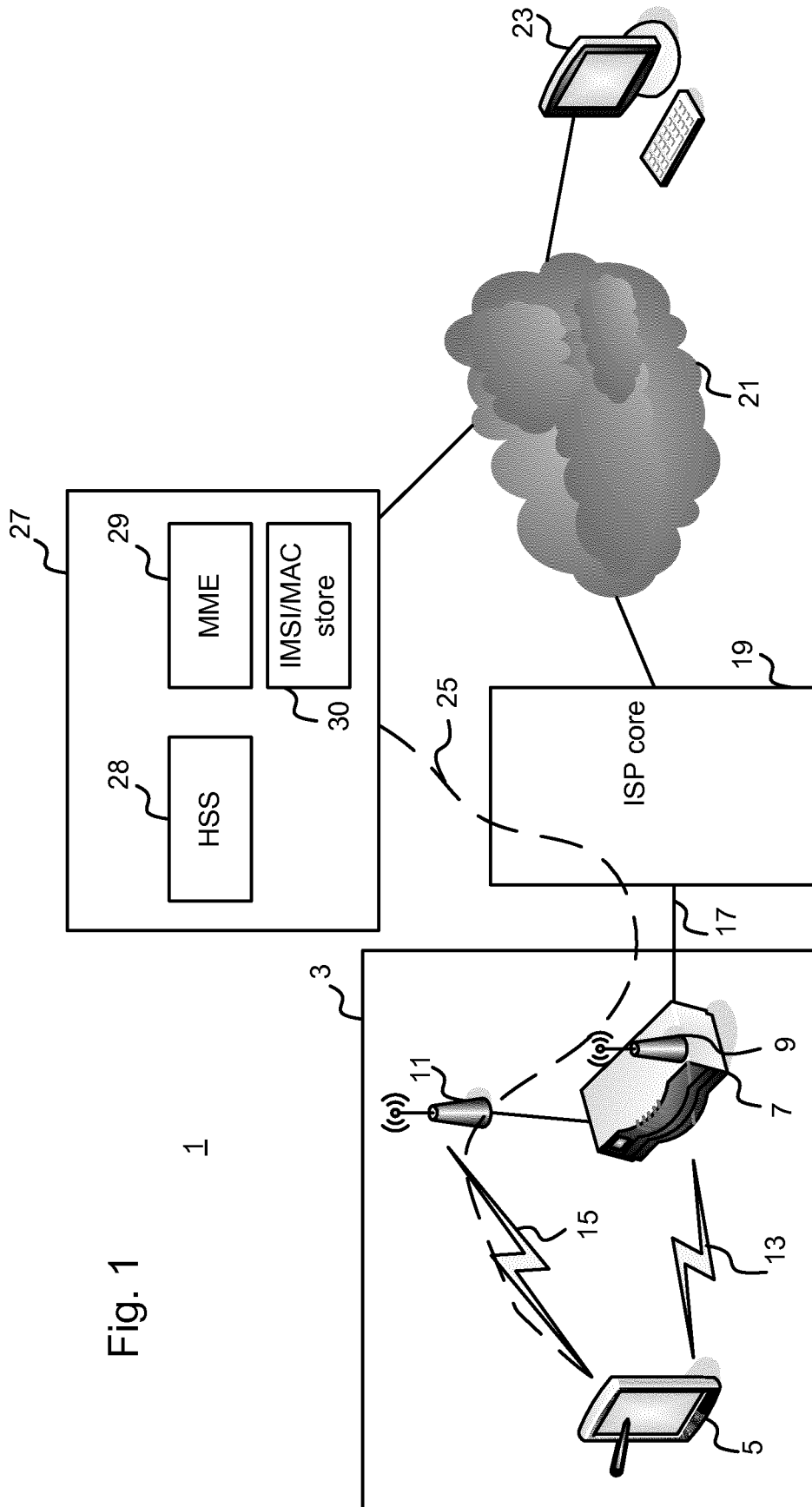


Fig. 1

1

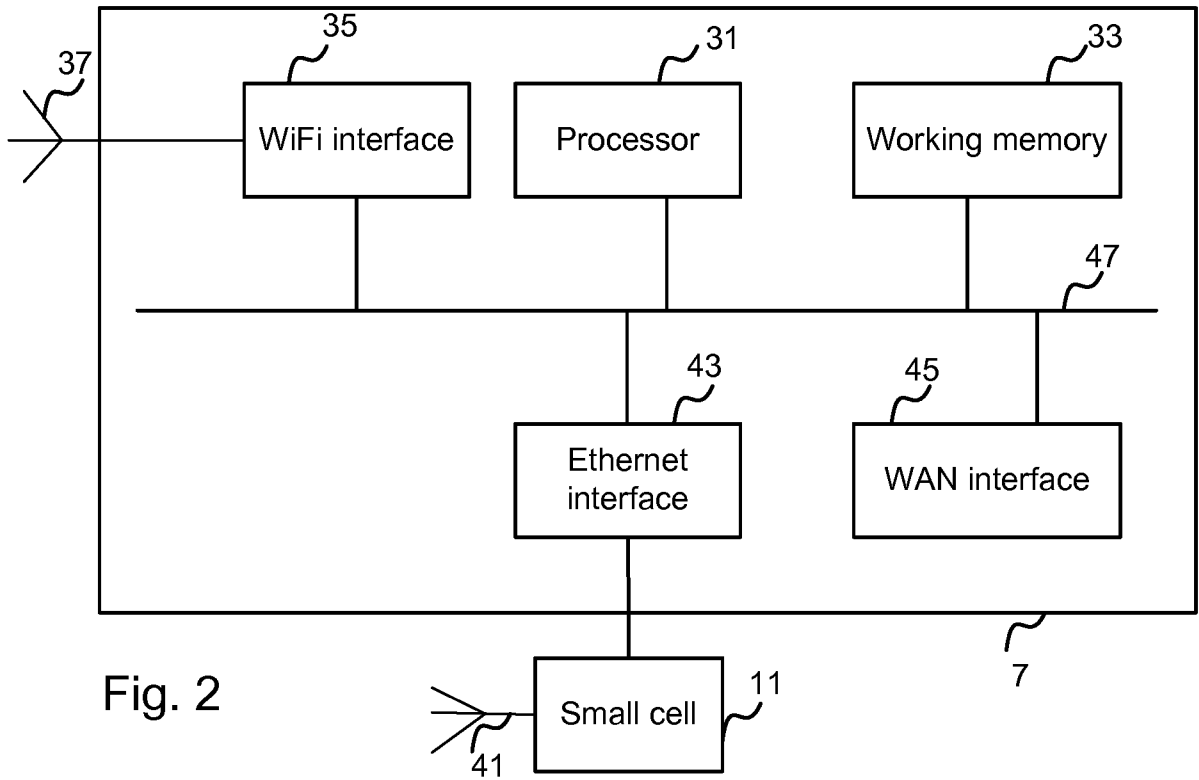


Fig. 2

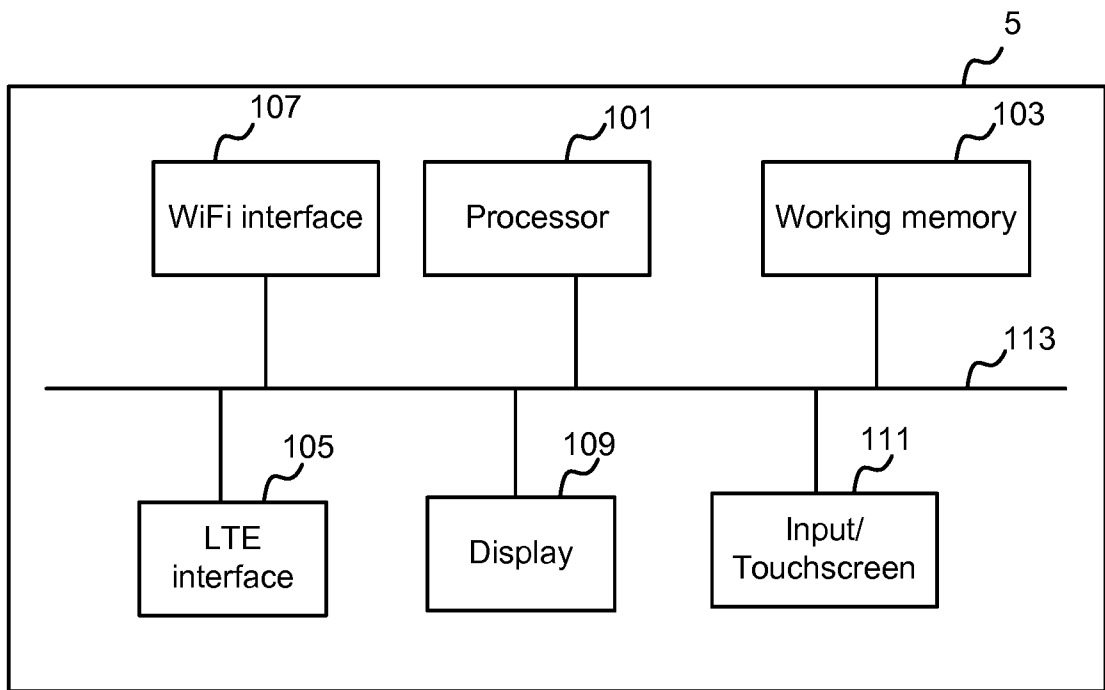
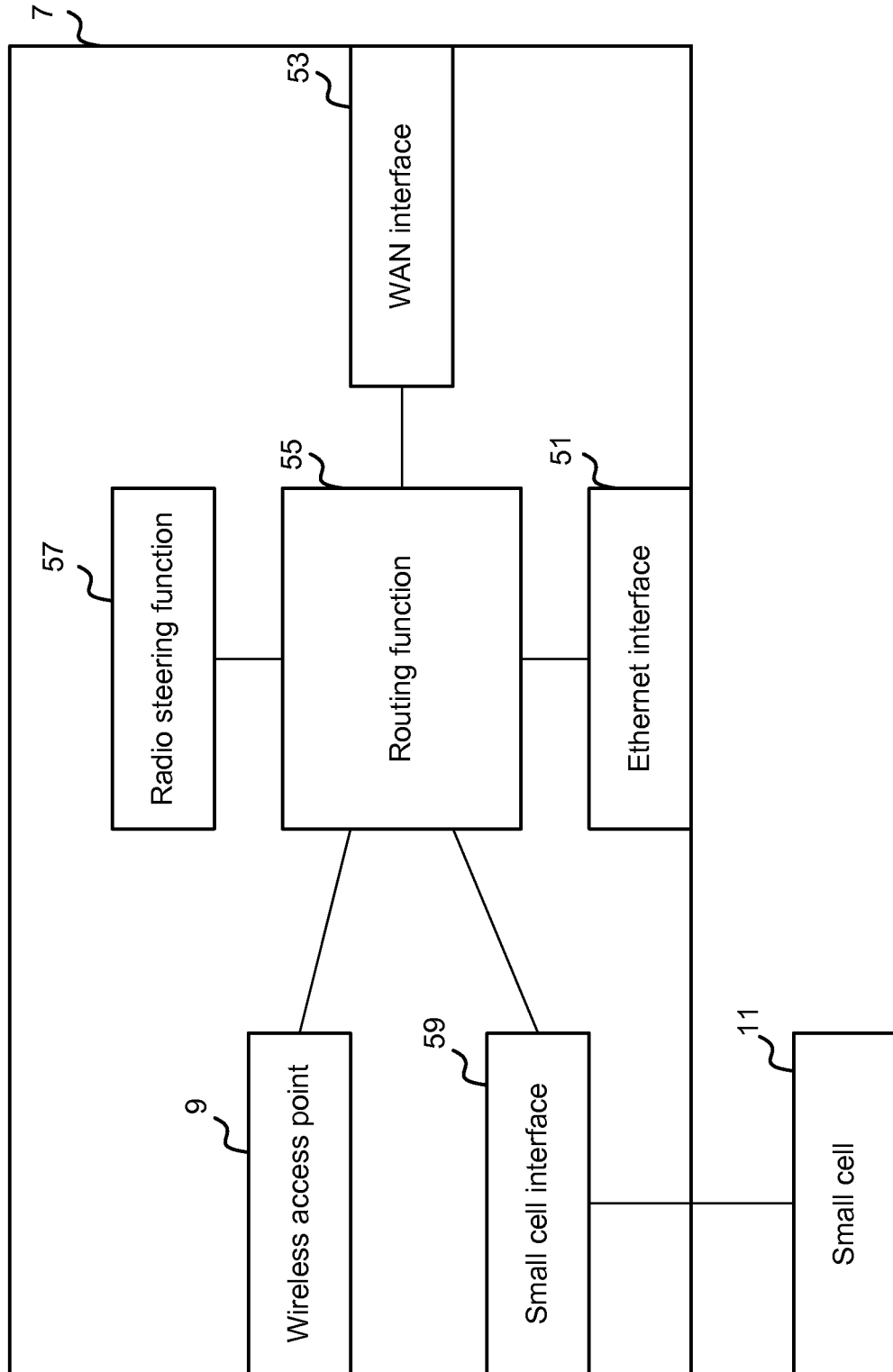


Fig. 5

Fig. 3



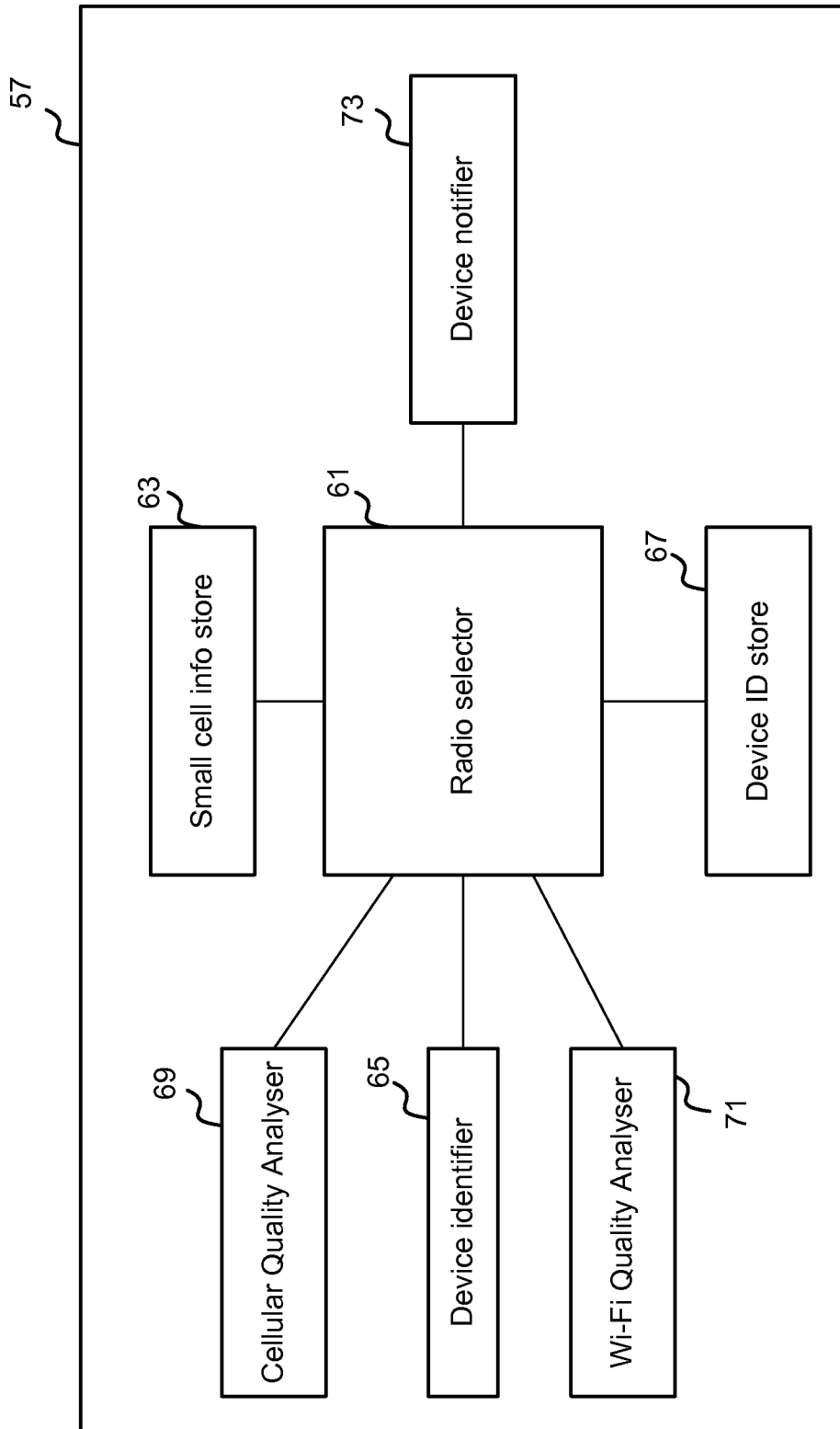


Fig. 4

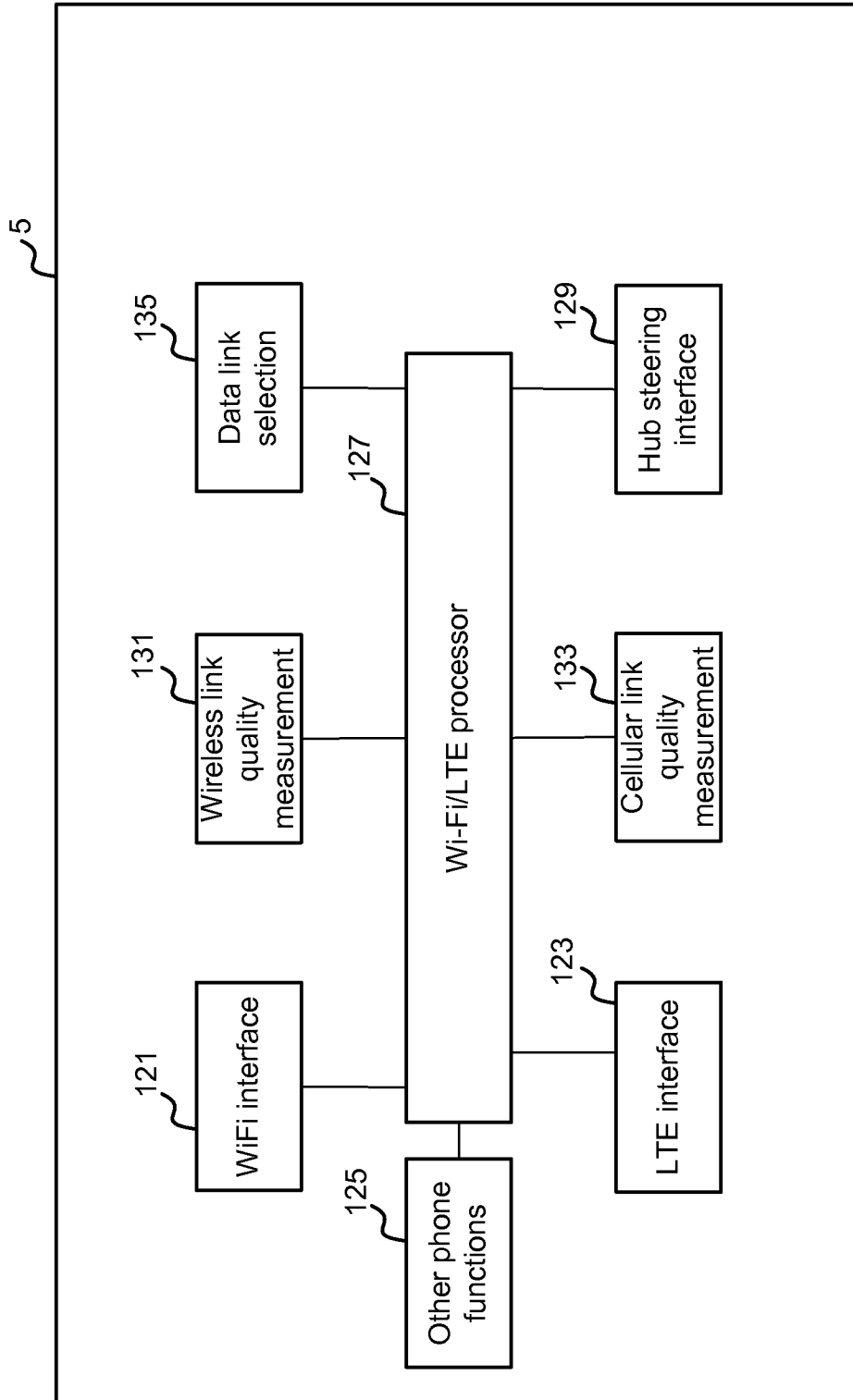


Fig. 6

INTERNATIONAL SEARCH REPORT

International application No
PCT/EP2016/056967

A. CLASSIFICATION OF SUBJECT MATTER
INV. H04W48/18 H04W88/10
ADD.
According to International Patent Classification (IPC) or to both national classification and IPC

B. FIELDS SEARCHED
Minimum documentation searched (classification system followed by classification symbols)
H04W
Documentation searched other than minimum documentation to the extent that such documents are included in the fields searched

Electronic data base consulted during the international search (name of data base and, where practicable, search terms used)
EPO-Internal, WPI Data

C. DOCUMENTS CONSIDERED TO BE RELEVANT		
Category*	Citation of document, with indication, where appropriate, of the relevant passages	Relevant to claim No.
X	US 2014/369329 A1 (LEE YONG SANG [US] ET AL) 18 December 2014 (2014-12-18) abstract paragraph [0004] - paragraph [0007] paragraph [0060] - paragraph [0065] paragraph [0074] paragraph [0099] - paragraph [0108] paragraph [0122] - paragraph [0128] paragraph [0134] - paragraph [0135] paragraph [0151] - paragraph [0159] paragraph [0174] paragraph [0187] figures 1-3 ----- -/--	1-7

Further documents are listed in the continuation of Box C.

See patent family annex.

* Special categories of cited documents :

<p>"A" document defining the general state of the art which is not considered to be of particular relevance</p> <p>"E" earlier application or patent but published on or after the international filing date</p> <p>"L" document which may throw doubts on priority claim(s) or which is cited to establish the publication date of another citation or other special reason (as specified)</p> <p>"O" document referring to an oral disclosure, use, exhibition or other means</p> <p>"P" document published prior to the international filing date but later than the priority date claimed</p>	<p>"T" later document published after the international filing date or priority date and not in conflict with the application but cited to understand the principle or theory underlying the invention</p> <p>"X" document of particular relevance; the claimed invention cannot be considered novel or cannot be considered to involve an inventive step when the document is taken alone</p> <p>"Y" document of particular relevance; the claimed invention cannot be considered to involve an inventive step when the document is combined with one or more other such documents, such combination being obvious to a person skilled in the art</p> <p>"&" document member of the same patent family</p>
---	---

Date of the actual completion of the international search 2 June 2016	Date of mailing of the international search report 10/06/2016
---	---

Name and mailing address of the ISA/ European Patent Office, P.B. 5818 Patentlaan 2 NL - 2280 HV Rijswijk Tel. (+31-70) 340-2040, Fax: (+31-70) 340-3016	Authorized officer Lombardi, Giuseppe
--	---

INTERNATIONAL SEARCH REPORT

International application No
PCT/EP2016/056967

C(Continuation). DOCUMENTS CONSIDERED TO BE RELEVANT		
Category*	Citation of document, with indication, where appropriate, of the relevant passages	Relevant to claim No.
A	WO 2013/006199 A1 (INTEL CORP [US]; ZHANG YUJIAN [CN]; YIN HUJUN [US]) 10 January 2013 (2013-01-10) abstract paragraph [0023] - paragraph [0029] paragraph [0032] - paragraph [0035] figures 2a, 3	1-7
A	----- EP 2 709 418 A2 (HUAWEI TECH CO LTD [CN]) 19 March 2014 (2014-03-19) abstract paragraph [0053] - paragraph [0063] paragraph [0069] - paragraph [0084] figure 2	1-7
A	----- US 2013/329714 A1 (FAN MINGXI [US] ET AL) 12 December 2013 (2013-12-12) abstract paragraph [0030] - paragraph [0043] paragraph [0058] - paragraph [0070] paragraph [0093] - paragraph [0097] figures 1-2	1-7
A	----- WO 2008/066928 A2 (KYOCERA CORP [JP]; KALHAN AMIT [US]) 5 June 2008 (2008-06-05) abstract page 2, line 13 - line 29 page 4, line 17 - page 5, line 7 page 5, line 30 - page 7, line 2 page 7, line 3 - page 8, line 17 page 8, line 29 - page 9, line 25 page 10, line 18 - page 11, line 32 page 14, line 20 - page 16, line 20 page 19, line 10 - page 20, line 19 figures 1, 2, 5	1-7
A	----- US 2010/118842 A1 (KALHAN AMIT [US]) 13 May 2010 (2010-05-13) abstract paragraph [0079] - paragraph [0087] figures 1A-3B, 7-8	1-7

INTERNATIONAL SEARCH REPORT

Information on patent family members

International application No

PCT/EP2016/056967

Patent document cited in search report	Publication date	Patent family member(s)	Publication date	
US 2014369329	A1	18-12-2014	CN 105308919 A	03-02-2016
			EP 3011775 A2	27-04-2016
			KR 20160021271 A	24-02-2016
			US 2014369329 A1	18-12-2014
			WO 2014204716 A2	24-12-2014

WO 2013006199	A1	10-01-2013	AU 2011372512 A1	23-01-2014
			CA 2840867 A1	10-01-2013
			CN 103748815 A	23-04-2014
			CN 103782523 A	07-05-2014
			CN 103782652 A	07-05-2014
			CN 103843414 A	04-06-2014
			CN 103891180 A	25-06-2014
			CN 103931244 A	16-07-2014
			CN 103999515 A	20-08-2014
			CN 104202739 A	10-12-2014
			CN 105337652 A	17-02-2016
			CN 105636239 A	01-06-2016
			DE 112011105403 T5	03-04-2014
			EP 2727262 A1	07-05-2014
			EP 2727268 A1	07-05-2014
			EP 2727305 A1	07-05-2014
			EP 2727418 A1	07-05-2014
			EP 2727422 A2	07-05-2014
			EP 2727434 A1	07-05-2014
			EP 2727435 A1	07-05-2014
			GB 2505842 A	12-03-2014
			HK 1202353 A1	25-09-2015
			JP 5833237 B2	16-12-2015
			JP 5841248 B2	13-01-2016
			JP 2014521252 A	25-08-2014
			JP 2014523181 A	08-09-2014
			JP 2014524194 A	18-09-2014
			JP 2016048948 A	07-04-2016
			KR 20140031381 A	12-03-2014
			KR 20140035504 A	21-03-2014
			KR 20140036009 A	24-03-2014
			KR 20140140622 A	09-12-2014
			KR 20150067770 A	18-06-2015
			RU 2014103444 A	10-08-2015
			RU 2014103466 A	20-08-2015
			US 2013265975 A1	10-10-2013
			US 2013273857 A1	17-10-2013
			US 2013308564 A1	21-11-2013
			US 2013336152 A1	19-12-2013
			US 2013343241 A1	26-12-2013
			US 2014105087 A1	17-04-2014
			US 2014119255 A1	01-05-2014
			US 2014126487 A1	08-05-2014
			US 2014146752 A1	29-05-2014
			US 2014226542 A1	14-08-2014
			US 2014254490 A1	11-09-2014
			US 2015304960 A1	22-10-2015
			WO 2013006193 A1	10-01-2013
			WO 2013006194 A1	10-01-2013
			WO 2013006196 A1	10-01-2013
			WO 2013006197 A1	10-01-2013
			WO 2013006198 A1	10-01-2013

INTERNATIONAL SEARCH REPORT

Information on patent family members

International application No PCT/EP2016/056967

Patent document cited in search report	Publication date	Patent family member(s)	Publication date
		WO 2013006199 A1	10-01-2013
		WO 2013006200 A1	10-01-2013
		WO 2013006201 A1	10-01-2013
		WO 2013006219 A1	10-01-2013
		WO 2013006339 A2	10-01-2013
		WO 2013006381 A2	10-01-2013
EP 2709418	A2	19-03-2014	CN 102918922 A
			EP 2709418 A2
			US 2014086211 A1
			WO 2011157129 A2
US 2013329714	A1	12-12-2013	CN 104350806 A
			EP 2859774 A1
			KR 20150022926 A
			US 2013329714 A1
			WO 2013188242 A1
WO 2008066928	A2	05-06-2008	AT 481852 T
			EP 2100470 A2
			JP 4938090 B2
			JP 2010512055 A
			KR 20090098974 A
			US 2008130555 A1
			US 2008153497 A1
			WO 2008066928 A2
US 2010118842	A1	13-05-2010	US 2010118842 A1
			US 2012275427 A1