



US00D993546S

(12) **United States Design Patent**  
**Shen**

(10) **Patent No.:** **US D993,546 S**

(45) **Date of Patent:** **\*\* \*Jul. 25, 2023**

(54) **HUMMINGBIRD FEEDER**

(71) Applicant: **Shanghai Lvtenluo Trading Co., Ltd.**, Shanghai (CN)

(72) Inventor: **Zhifeng Shen**, Nanjing (CN)

(\* ) Notice: This patent is subject to a terminal disclaimer.

(\*\*) Term: **15 Years**

(21) Appl. No.: **29/841,499**

(22) Filed: **Jun. 7, 2022**

(51) **LOC (14) Cl.** ..... **30-03**

(52) **U.S. Cl.**  
USPC ..... **D30/124; D30/127**

(58) **Field of Classification Search**

USPC ..... D30/121, 124, 127, 128, 133, 114, 115, D30/116, 117, 118, 119, 125, 126; 119/51.03, 57.8, 51.01, 52.2, 710, 711, 119/52.3, 464, 707, 709, 57.9, 124, 51.04; 43/2, 131; 47/86, 65, 65.5, 67, 39, 41.12, 47/79; 426/1, 439, 556; D11/121, 120, D11/79, 117, 143, 152; 428/10, 18, 27; D7/352, 356; 156/256, 263; 66/170; 99/372, 377, 403; 425/318, 395, 404; 248/175, 27.8; 211/85.31, 88.03, 23; 362/122, 227, 249.15, 249.16, 249.18, 362/806; D9/569, 538-543, 516, 545, D9/556-559; D22/119, 122  
CPC .... A01K 39/02; A01K 39/0206; A01K 39/04; A01K 39/012; A01K 39/026; A01K 39/06; A01K 39/024; A01K 39/022; A01K 39/0125; A01K 39/0113; A01K 39/00; A01K 39/01; A01K 39/014; A01K 31/10; A01K 31/12; A01K 31/00; A01K 5/01; A01K 5/0225

See application file for complete search history.

(56) **References Cited**

**U.S. PATENT DOCUMENTS**

D338,427 S \* 8/1993 Liou ..... D11/143  
D351,121 S \* 10/1994 Lauchlan ..... D11/143  
5,507,249 A \* 4/1996 Shaw ..... A01K 39/0206  
119/72

(Continued)

**OTHER PUBLICATIONS**

MuseGarden Glassblown antproof hummingbird Feeders set, [https://www.amazon.com/Muse-Garden-Hummingbird-Outdoors-Mermaid/dp/B0B5H2SR9L/ref=sr\\_1\\_44](https://www.amazon.com/Muse-Garden-Hummingbird-Outdoors-Mermaid/dp/B0B5H2SR9L/ref=sr_1_44) Jun. 2022 (Year: 2022).\*

*Primary Examiner* — Susan Moon Lee

(74) *Attorney, Agent, or Firm* — Runit R. Kanakia

(57) **CLAIM**

The ornamental design for a hummingbird feeder, as shown and described.

**DESCRIPTION**

FIG. 1 is a perspective view of a hummingbird feeder, showing the first embodiment of my new design;

FIG. 2 is another perspective view thereof;

FIG. 3 is a front elevational view thereof;

FIG. 4 is a rear elevational view thereof;

FIG. 5 is a left side view thereof, the right side view being a mirror image of FIG. 5;

FIG. 6 is a top plan view thereof;

FIG. 7 is bottom plan view thereof;

FIG. 8 is a perspective view of a hummingbird feeder, showing the second embodiment of my new design;

FIG. 9 is another perspective view thereof;

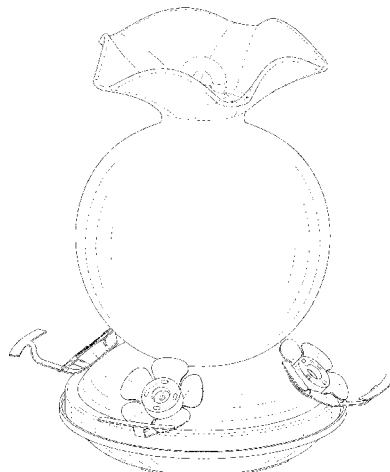
FIG. 10 is a front elevational view thereof, the rear elevational view is identical;

FIG. 11 is a left side view thereof, the right side view is identical;

FIG. 12 is a top plan view thereof; and,

FIG. 13 is a bottom plan view thereof.

(Continued)



# US D993,546 S

Page 2

The broken lines in the figures are for the purpose of illustrating portions of the hummingbird feeder, which form no part of the claimed design.

## 1 Claim, 13 Drawing Sheets

(56)

### References Cited

#### U.S. PATENT DOCUMENTS

D424,471 S *	5/2000	Souris	D11/146
D448,909 S *	10/2001	Friesen	D34/39
D472,351 S	3/2003	Griffin	
D482,637 S *	11/2003	Gilad	D11/154
D515,927 S *	2/2006	Smay	D7/615
D542,707 S *	5/2007	Kolokotronis	D11/153
D542,885 S *	5/2007	Knackstedt	D34/39
D574,294 S *	8/2008	Heathcock	D11/144
D581,035 S *	11/2008	Conway	D23/366
D603,567 S *	11/2009	Chen	D30/124
D606,708 S	12/2009	McMullen	
7,685,969 B2 *	3/2010	Stone	A01K 39/02 119/52.2
D619,922 S *	7/2010	Garcia	D11/143
D635,653 S *	4/2011	Conway	D23/355
D656,279 S	3/2012	Tu	
D658,539 S *	5/2012	Harshman	D11/146
D660,195 S *	5/2012	Harshman	D11/146
D676,614 S	2/2013	Fields	
D683,911 S	6/2013	Muhr	
D698,101 S	1/2014	Muhr	
D698,501 S	1/2014	Muhr	
D721,208 S *	1/2015	Chen	D30/127
D728,864 S	5/2015	Schroeder	
D752,825 S *	3/2016	Aplin	D30/127
9,271,587 B2 *	3/2016	Newby	A47G 7/06
D789,621 S	6/2017	Nifong	
D821,659 S *	6/2018	Nifong	D30/127
D846,107 S *	4/2019	Hu	D23/366
D872,947 S *	1/2020	Haney	D30/127
D872,948 S *	1/2020	Haney	D30/127
D899,704 S	10/2020	Shen	
D903,207 S *	11/2020	Shen	D30/127
D914,997 S *	3/2021	Jin	D30/127
D917,792 S *	4/2021	Thorn	D30/124
D965,126 S *	9/2022	Chen	D23/356
2007/0289540 A1 *	12/2007	Stone	A01K 39/02 119/72
2015/0122186 A1 *	5/2015	Donegan	A01K 39/04 119/51.5
2017/0311575 A1 *	11/2017	Kong	B44F 9/00
2020/0196577 A1 *	6/2020	Haney	A01K 39/0206

\* cited by examiner



FIG. 1

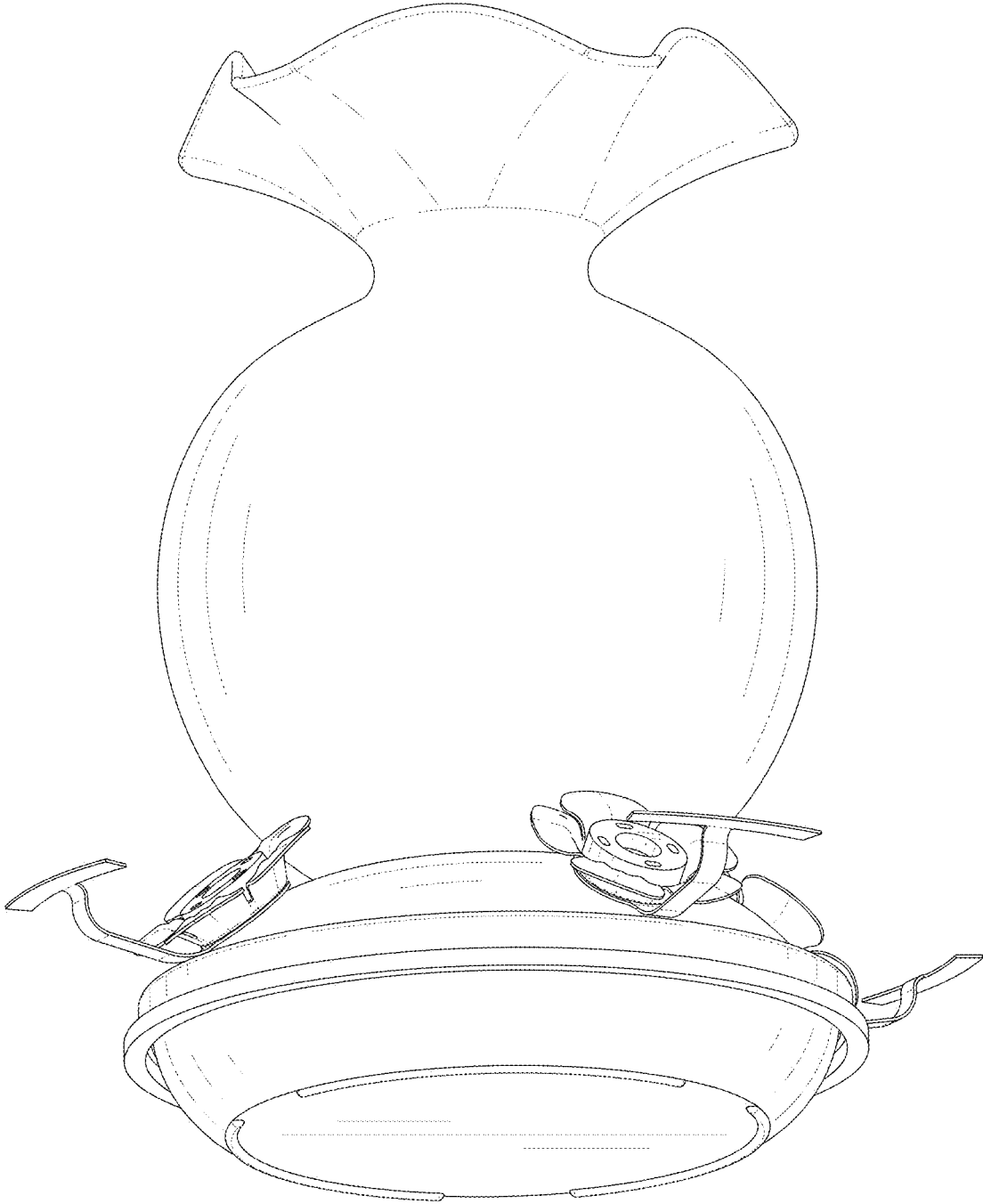


FIG. 2

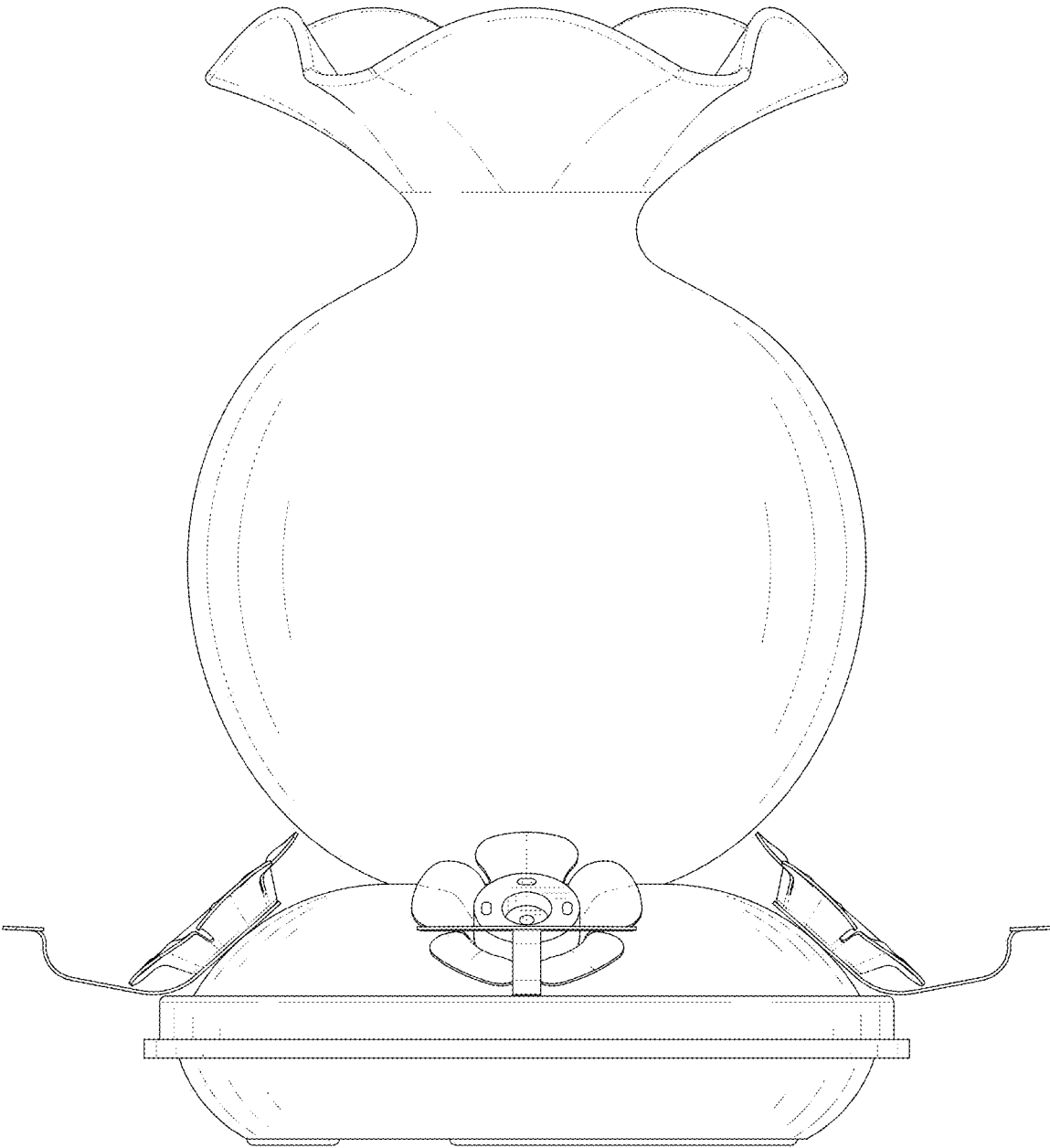


FIG. 3

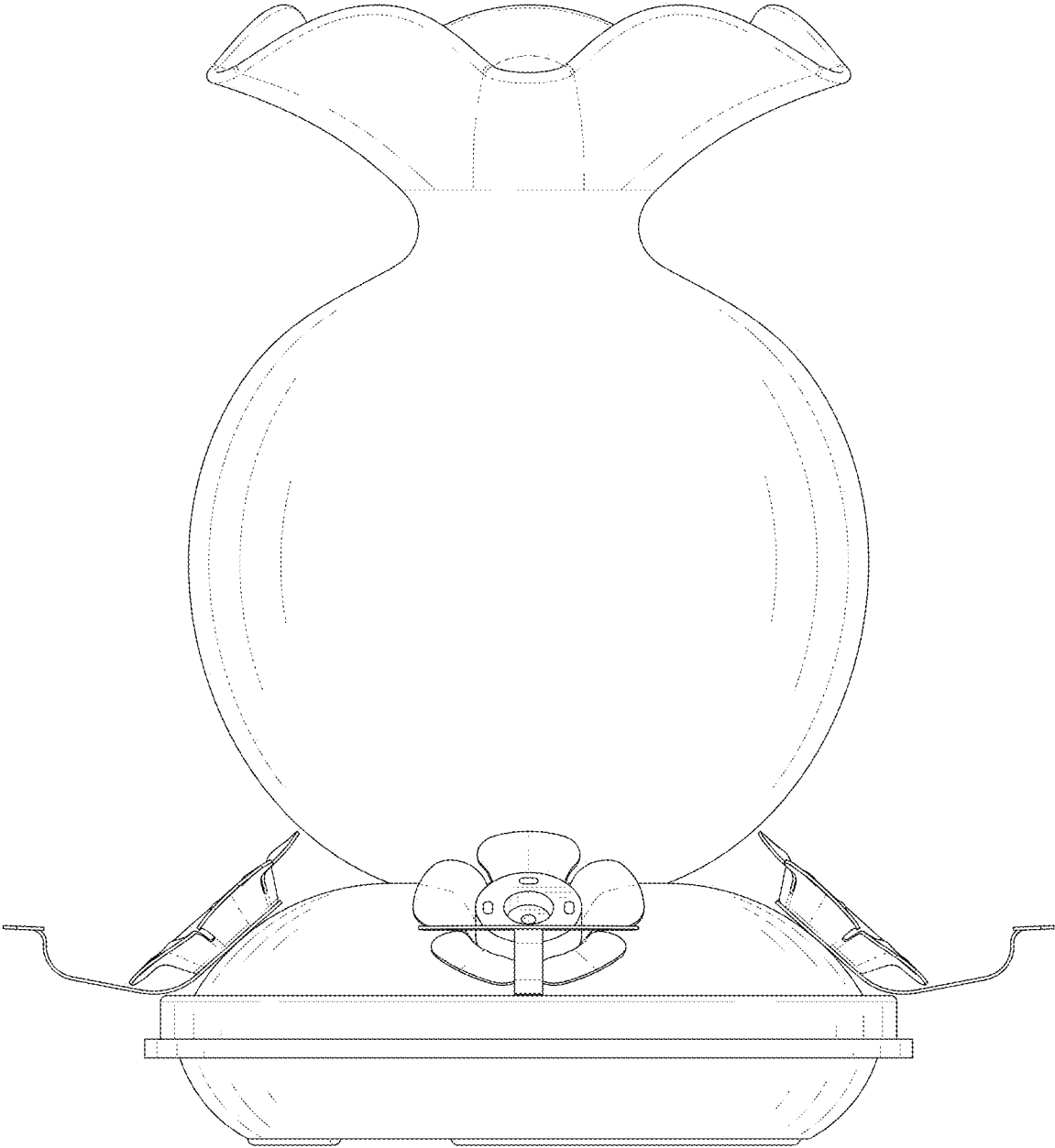


FIG. 4

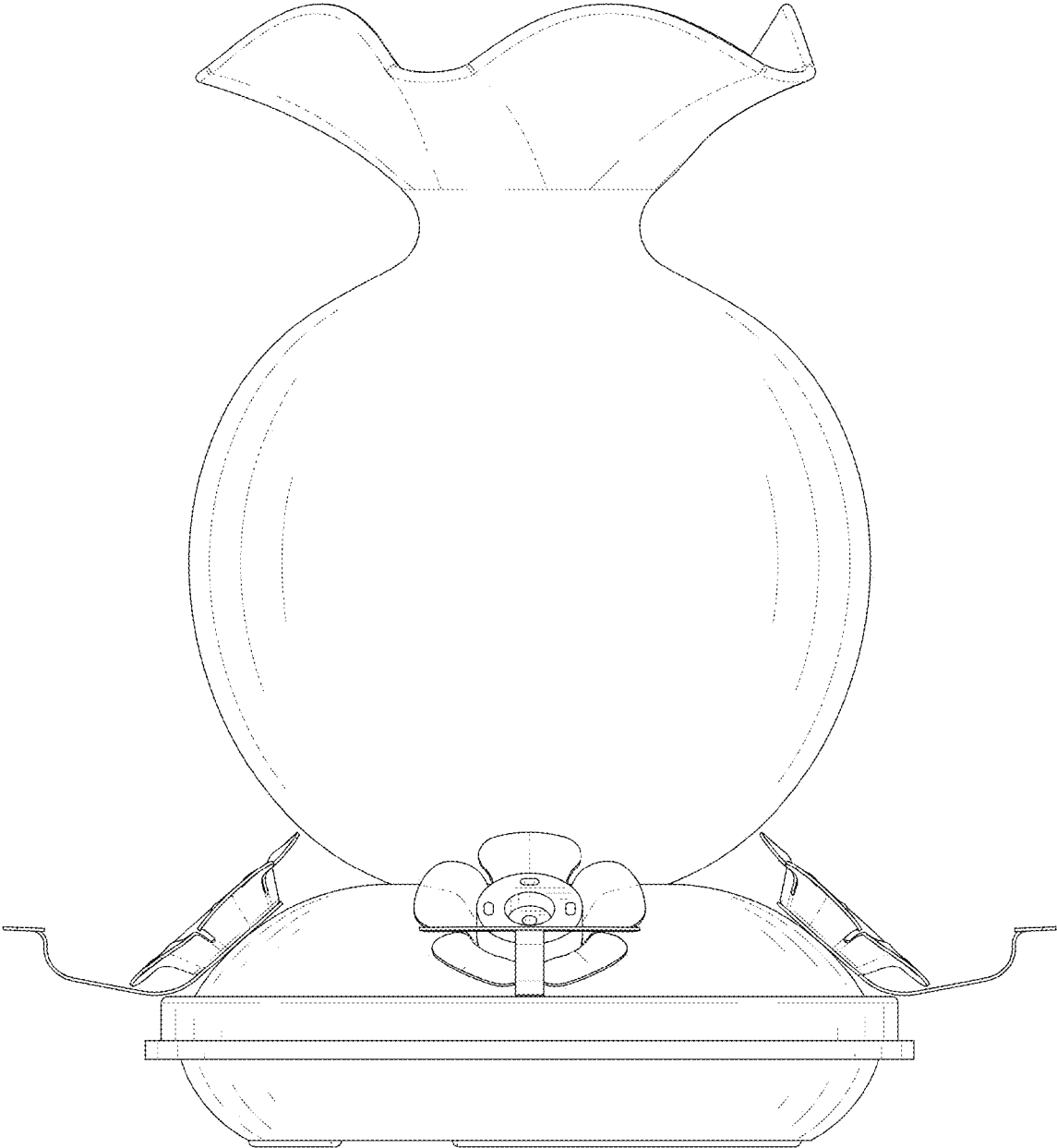


FIG. 5

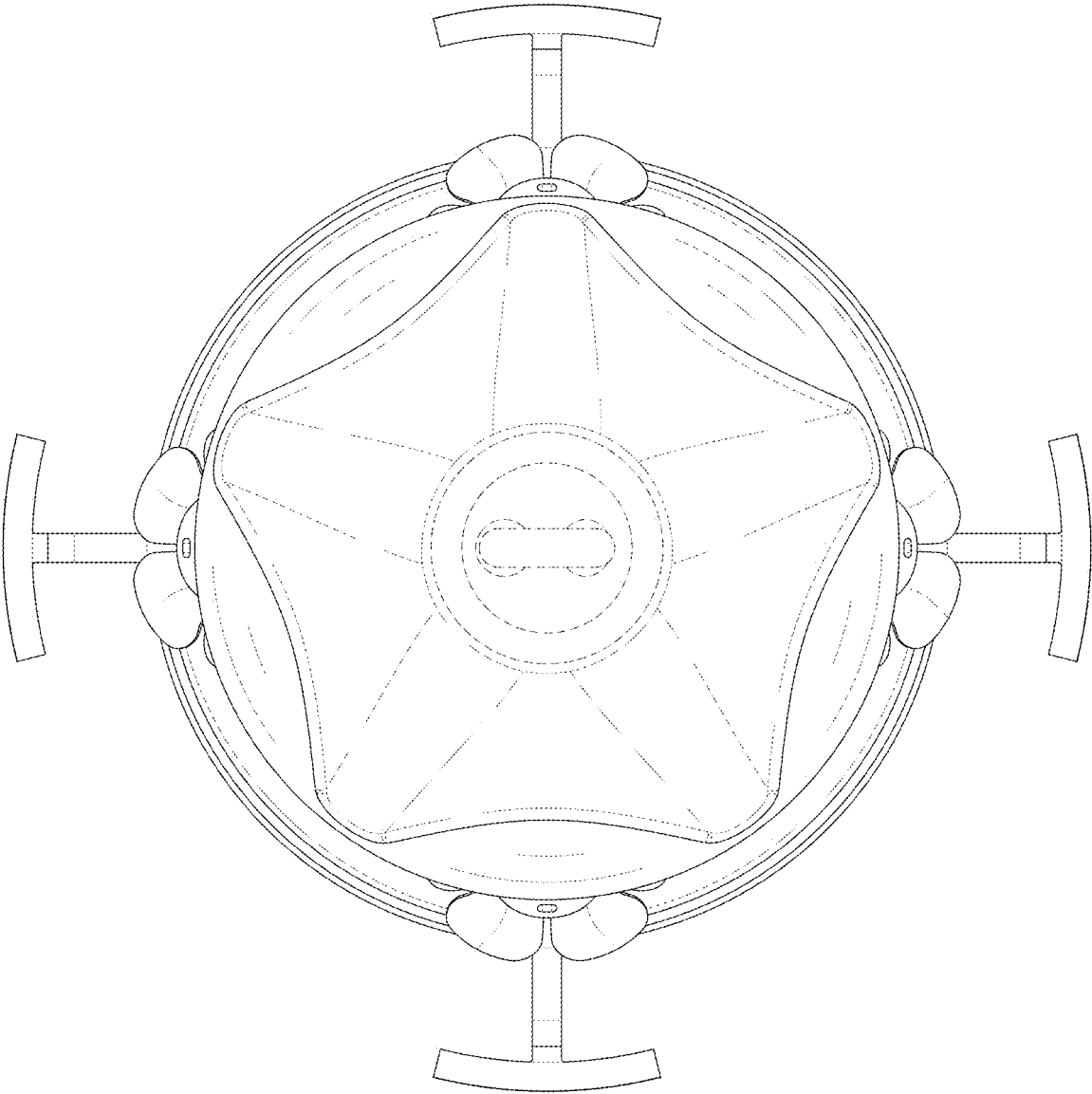


FIG. 6



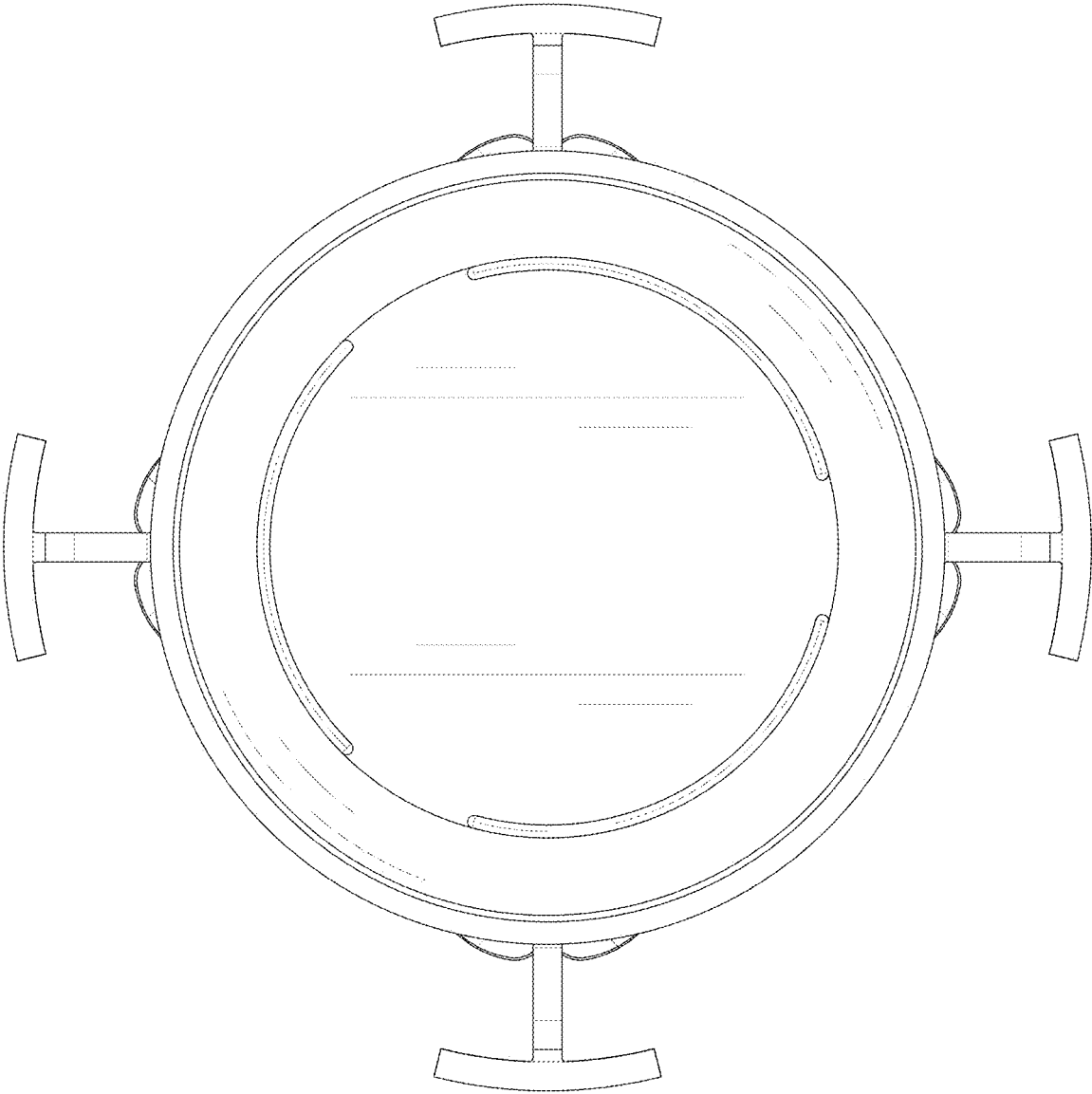


FIG. 7



FIG. 8



FIG. 9

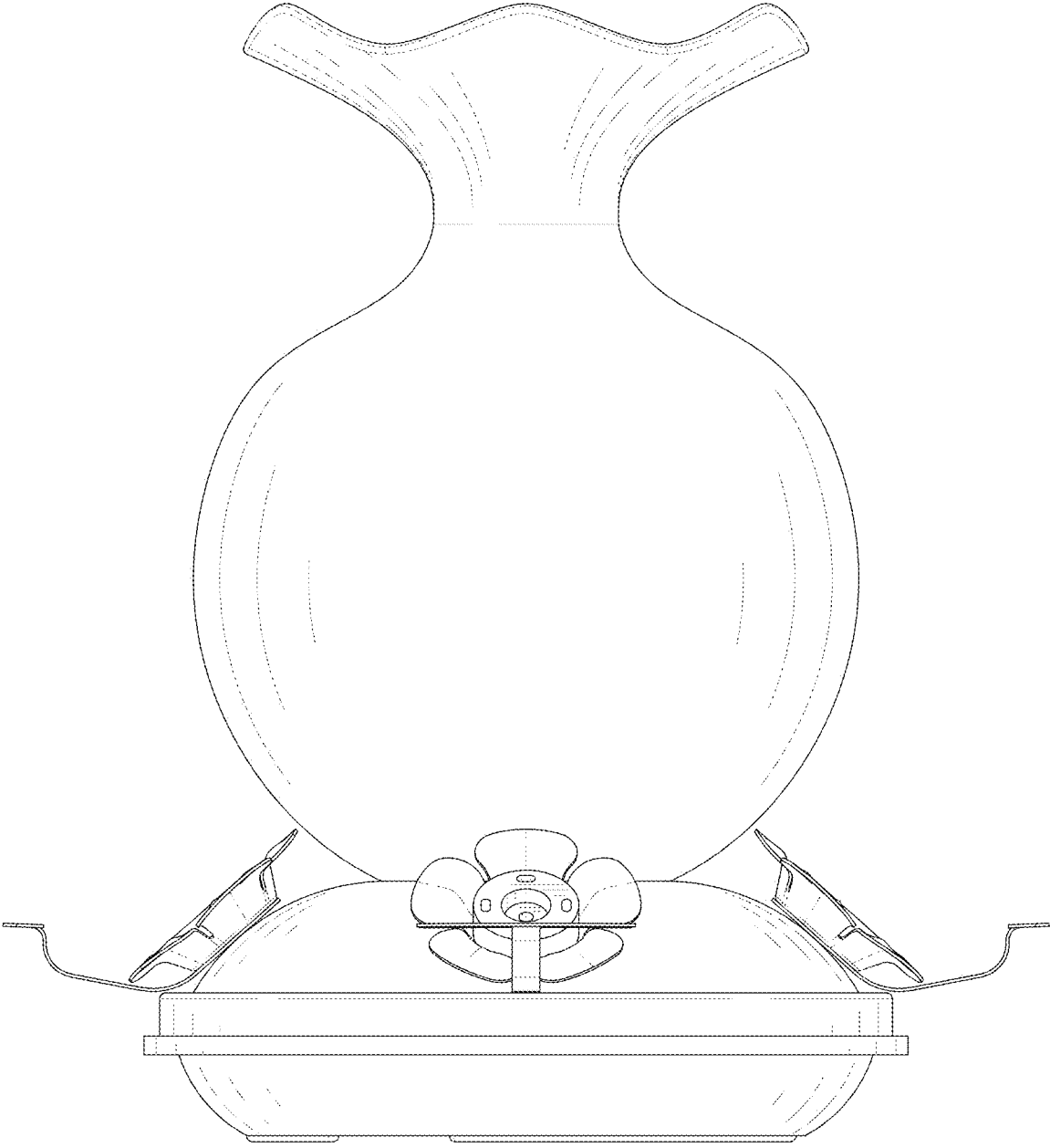


FIG. 10

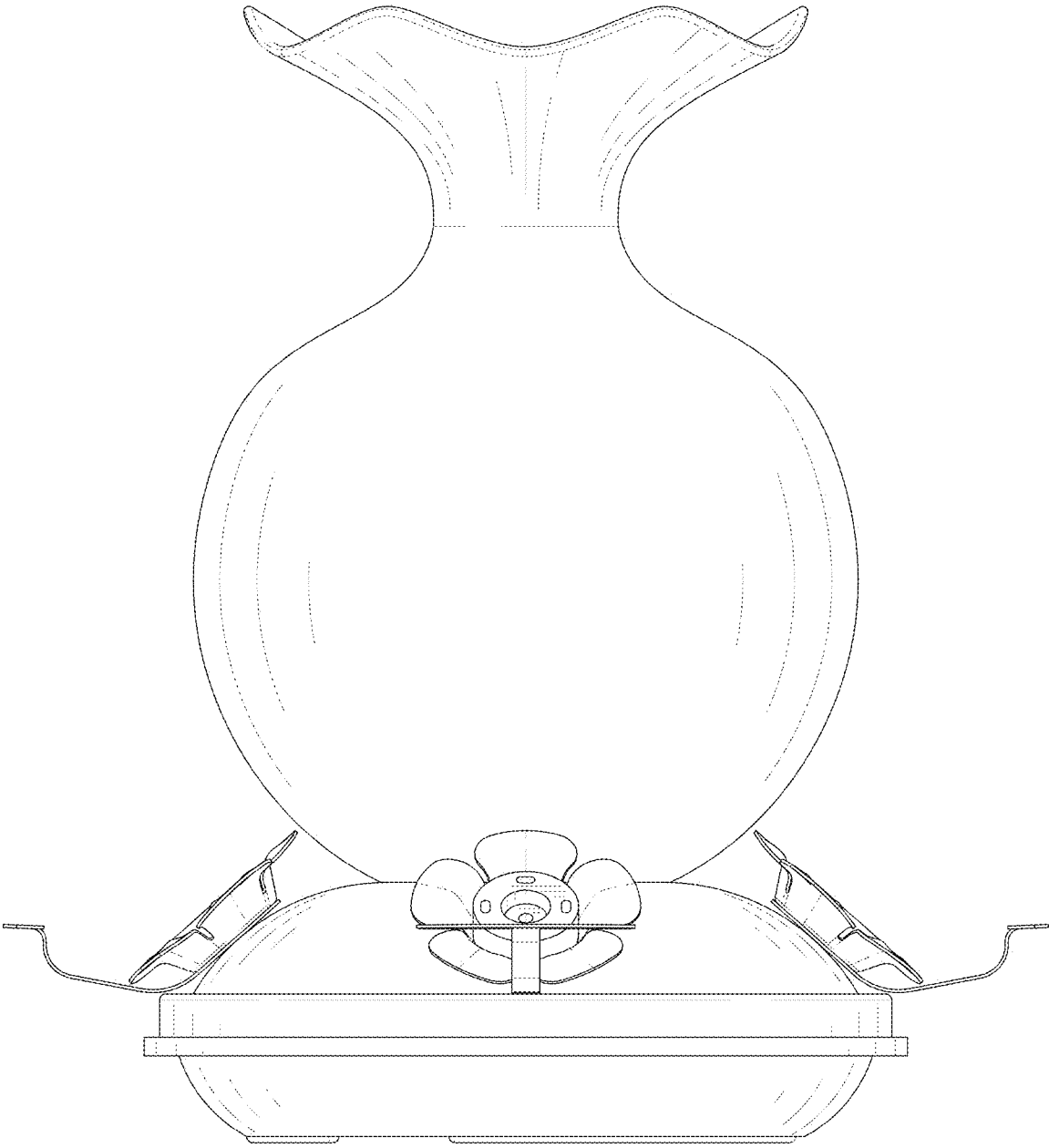


FIG. 11

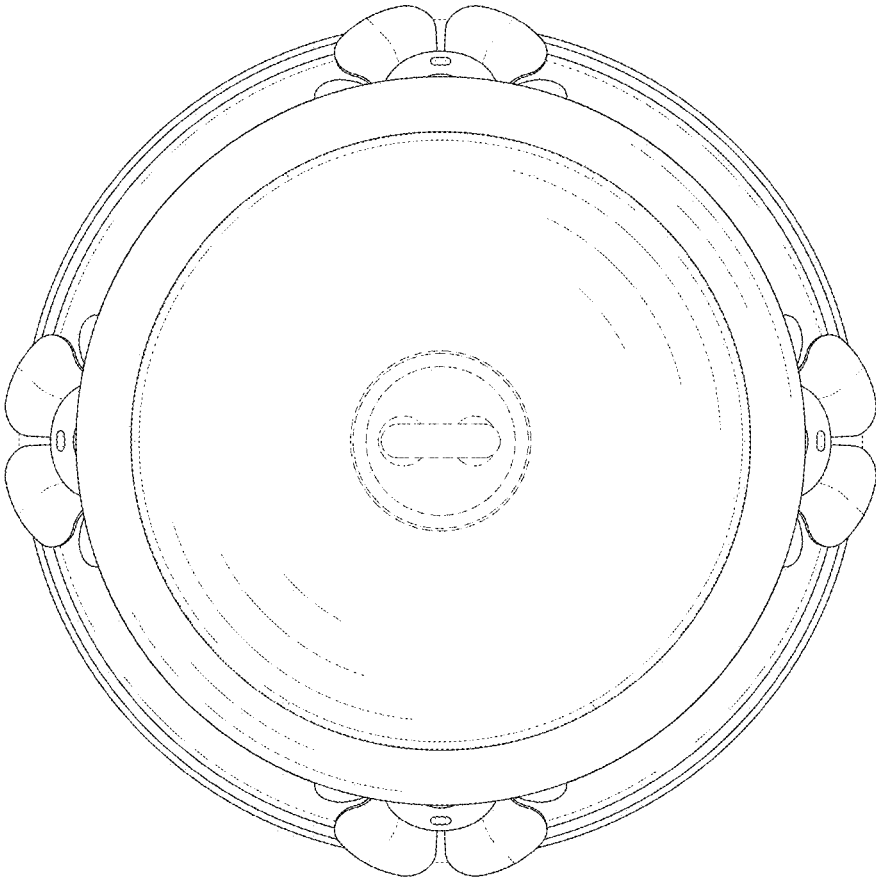


FIG. 12

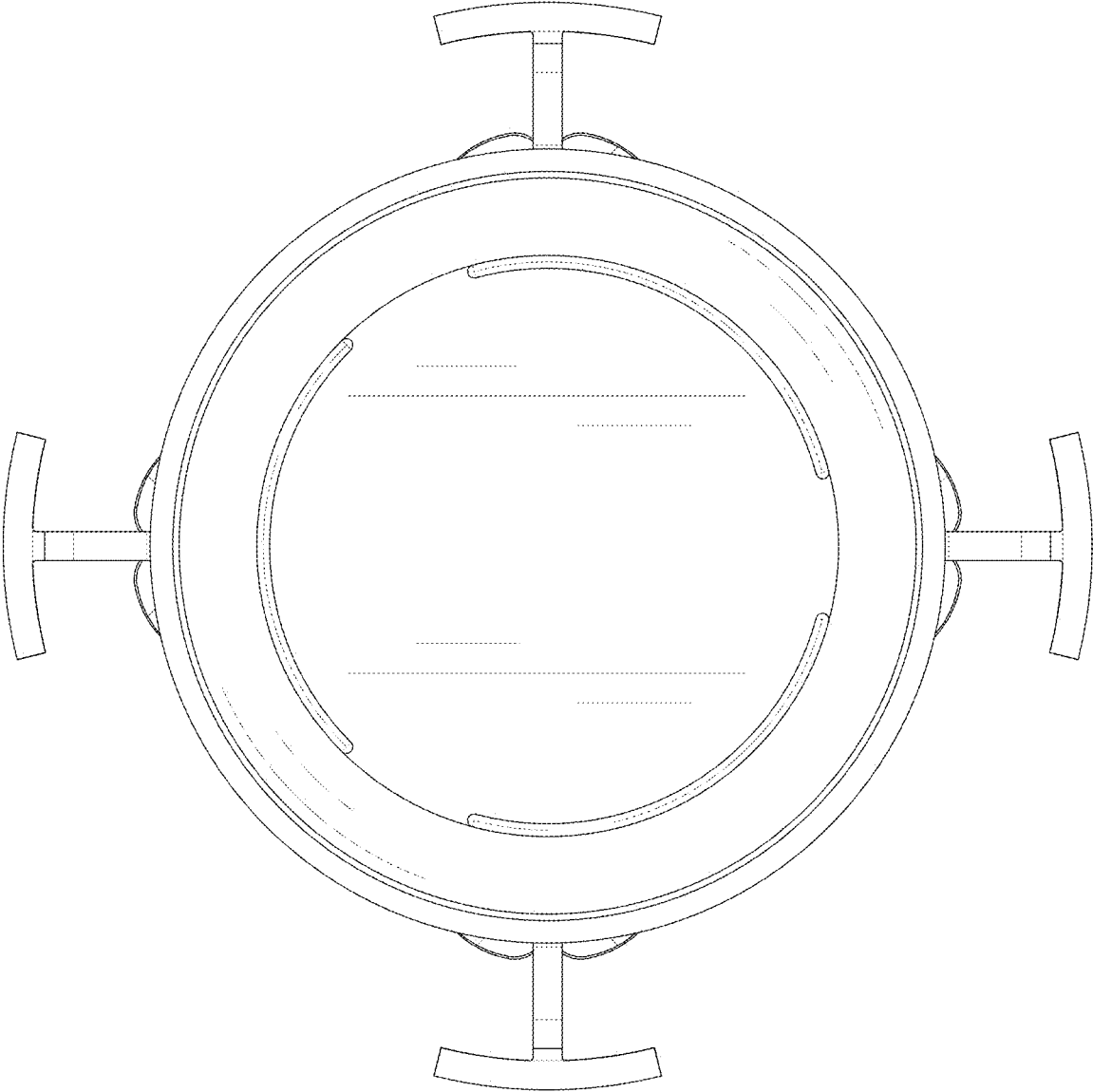


FIG. 13