



US00D865519S

(12) **United States Design Patent** (10) **Patent No.:** **US D865,519 S**  
**Scheffler** (45) **Date of Patent:** **\*\* Nov. 5, 2019**

(54) **CAP WITH OPENING-CLOSURE SYSTEM** 123,898 A \* 2/1872 Highley ..... B65D 47/0814  
215/237  
(71) Applicant: **SPI Group S.à.r.l.**, Luxembourg (LU) 169,456 A \* 11/1875 Luthy ..... B65D 47/0814  
215/237  
(72) Inventor: **Yuri Scheffler**, Crans-Montana (CH) 200,991 A 3/1878 Dietz  
206,341 A 7/1878 Martin  
301,599 A 7/1884 Hunt  
(73) Assignee: **SPI Group S.a.r.l.**, Luxembourg (LU) 314,025 A 3/1885 Hoyt  
D17,215 S 3/1887 Park  
(\*\*) Term: **15 Years** D19,052 S \* 4/1889 Van Houten ..... D9/505  
(Continued)

(21) Appl. No.: **29/609,629**  
(22) Filed: **Jul. 3, 2017**

(30) **Foreign Application Priority Data**

May 25, 2017 (MX) ..... MX/f/2017/001475

(51) **LOC (12) Cl.** ..... **09-07**  
(52) **U.S. Cl.**

USPC ..... **D9/439**

(58) **Field of Classification Search**

USPC ..... D7/392, 392.1, 396.1, 396.2, 397, 398;  
D9/434-436, 439, 443, 447, 449, 454,  
D9/499, 441, 451, 452, 503, 505, 544,  
D9/551, 555, 651

CPC .... B65D 47/0814; B65D 39/00; B65D 39/08;  
B65D 39/12; B65D 39/02

See application file for complete search history.

(56) **References Cited**

**U.S. PATENT DOCUMENTS**

12,501 A \* 3/1855 Ashburner ..... B65D 47/0814  
215/237  
91,349 A \* 6/1869 Kutschscher ..... B65D 47/0814  
215/237  
102,349 A \* 4/1870 Wilson ..... B65D 47/0814  
215/237  
102,669 A \* 5/1870 Ely ..... B65D 47/0814  
215/237  
103,624 A \* 5/1870 Knecht ..... B65D 47/0814  
215/235  
105,797 A \* 7/1870 Gibbs ..... B65D 47/0814  
215/237

**OTHER PUBLICATIONS**

Ebay.Grolsch Caps. 2018. <URL:https://www.ebay.com/itm/  
GROLSCH-CAPS-6-REPLACEMENT-SWING-TOPS-EZ-CAP-  
FLIP-TOP-STOPPERS-ROOT-BEER-BOTTLES-/  
330937089839>. (Year: 2018)\*

(Continued)

*Primary Examiner* — George D. Kirschbaum  
*Assistant Examiner* — Darcey E Gottschalk  
(74) *Attorney, Agent, or Firm* — Wenderoth, Lind &  
Ponack, L.L.P.

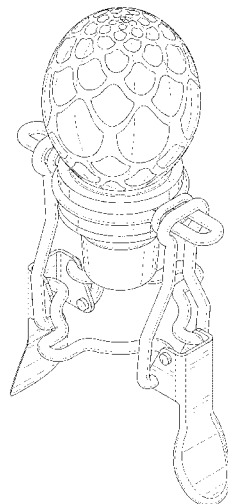
(57) **CLAIM**

The ornamental design for a cap with an opening-closure system, as shown and described.

**DESCRIPTION**

FIG. 1 is a perspective view of a cap with an opening-closure system;  
FIG. 2 is a front view of FIG. 1;  
FIG. 3 is a rear view of FIG. 1;  
FIG. 4 is a side view of FIG. 1;  
FIG. 5 is a side view of FIG. 1;  
FIG. 6 is a top view of FIG. 1; and,  
FIG. 7 is a bottom view of FIG. 1.  
The broken lines depict portions of the cap with an opening-closure system that form no part of the claim.

**1 Claim, 7 Drawing Sheets**



(56)

References Cited

U.S. PATENT DOCUMENTS

D20,026 S \* 7/1890 Bentley ..... D9/505  
 D20,027 S \* 7/1890 Bentley ..... D9/505  
 D20,028 S \* 7/1890 Bentley ..... D9/505  
 D21,192 S \* 12/1891 Van Houten ..... D9/505  
 599,269 A 2/1898 Stadel  
 640,897 A 1/1900 Fowler  
 D34,996 S 8/1901 Brawner  
 719,515 A 2/1903 Schiefer  
 815,902 A 3/1906 Cardell  
 823,437 A 6/1906 Peterson  
 913,214 A 2/1909 Peterson  
 945,842 A 1/1910 Fagerdroem et al.  
 946,334 A 1/1910 Cardell  
 1,011,198 A 12/1911 Holmes  
 1,109,570 A 9/1914 Fulmer et al.  
 1,298,128 A 3/1919 White  
 1,330,966 A 2/1920 White  
 1,348,808 A 8/1920 Kivlan  
 1,383,215 A 6/1921 Kivlan  
 1,420,892 A 6/1922 Thompson  
 D62,311 S 5/1923 Schoenbrun  
 1,519,988 A 12/1924 Clark  
 D70,957 S 8/1926 Guerin  
 D71,125 S 9/1926 Becker  
 D74,894 S 4/1928 Onthank  
 D80,729 S \* 3/1930 Huret ..... D9/544  
 D82,679 S \* 12/1930 Hutcheson ..... D9/441  
 D98,040 S 12/1935 Lewis  
 2,096,098 A 10/1937 Fraysur  
 D121,369 S \* 7/1940 Du Pree ..... D7/300  
 D166,477 S 4/1952 Margolis  
 D186,971 S 12/1959 Chakine  
 D192,826 S \* 5/1962 Du Pree ..... D9/544

4,175,668 A 11/1979 Hebert  
 D270,614 S 9/1983 Desgrippes  
 D307,545 S 5/1990 Hibbert  
 D325,345 S 4/1992 Holland  
 D335,444 S 5/1993 Marchini  
 D342,903 S 1/1994 Ricci  
 D462,905 S \* 9/2002 Siegel ..... D9/451  
 D472,469 S \* 4/2003 Versace ..... D9/439  
 D549,577 S \* 8/2007 Schactner ..... D9/439  
 D562,150 S 2/2008 Gamarra  
 D619,470 S 7/2010 Zeidan  
 D638,706 S \* 5/2011 de Bashmakoff ..... D9/441  
 D742,754 S 11/2015 Roth et al.  
 9,254,057 B1 2/2016 McGinn  
 9,332,867 B2 5/2016 Chase et al.  
 2015/0060459 A1 3/2015 Wu

OTHER PUBLICATIONS

European Union Intellectual Property Office Certificate Registration No. 003864081-0001, registered Apr. 20, 2017.  
 European Union Intellectual Property Office Certificate of Registration No. 003871169-0001, registered Apr. 25, 2017.  
 European Union Intellectual Property Office Certificate of Registration No. 003871722-0001, registered Apr. 25, 2017.  
 European Union Intellectual Property Office Certificate of Registration No. 003872662-0001, registered Apr. 25, 2017.  
 European Union Intellectual Property Office Certificate of Registration No. 003872696-0001, registered Apr. 25, 2017.  
 European Union Intellectual Property Office Certificate of Registration No. 003872829-0001, registered Apr. 25, 2017.  
 European Union Intellectual Property Office Certificate of Registration No. 004026078-0001, registered May 31, 2017.

\* cited by examiner

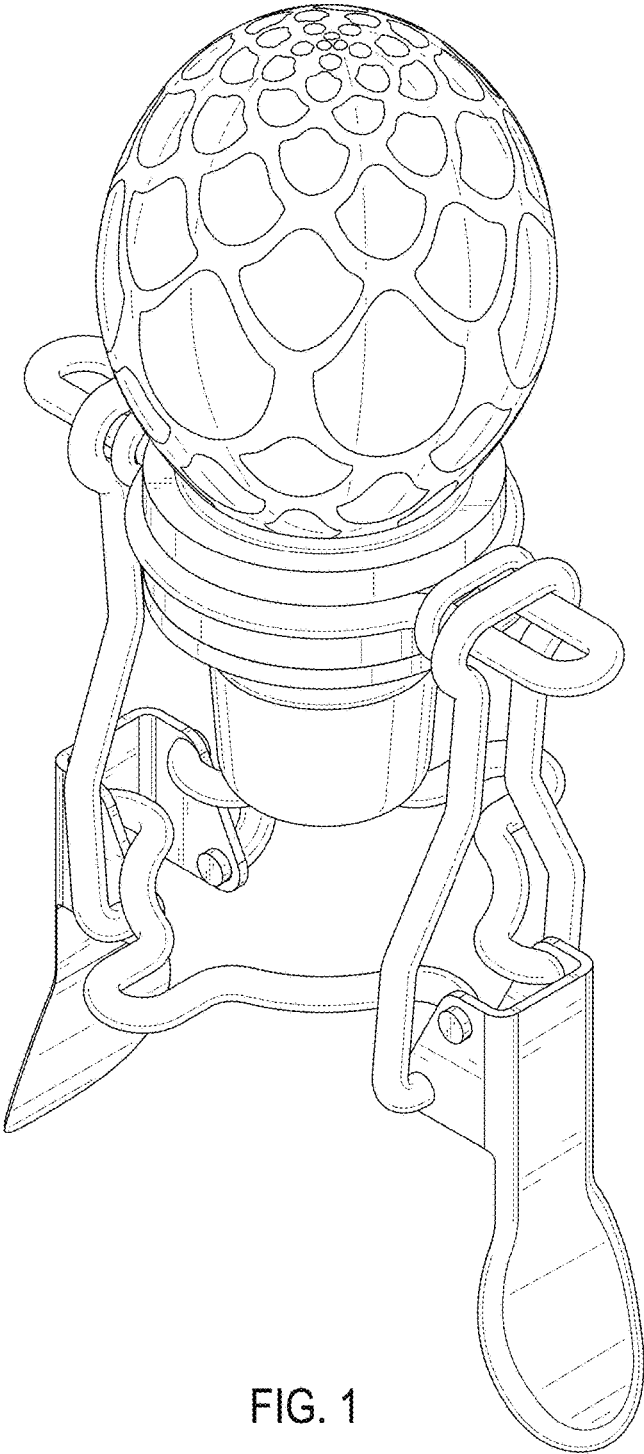


FIG. 1

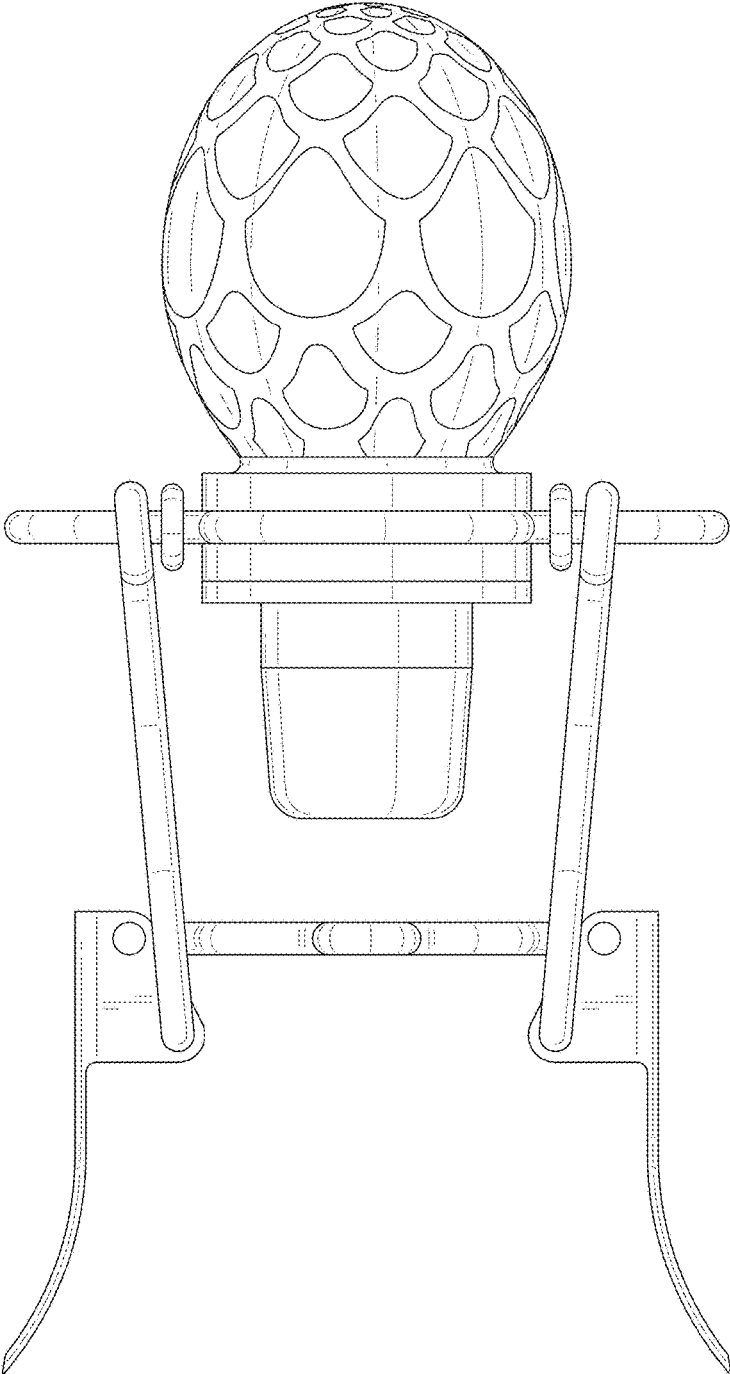


FIG. 2

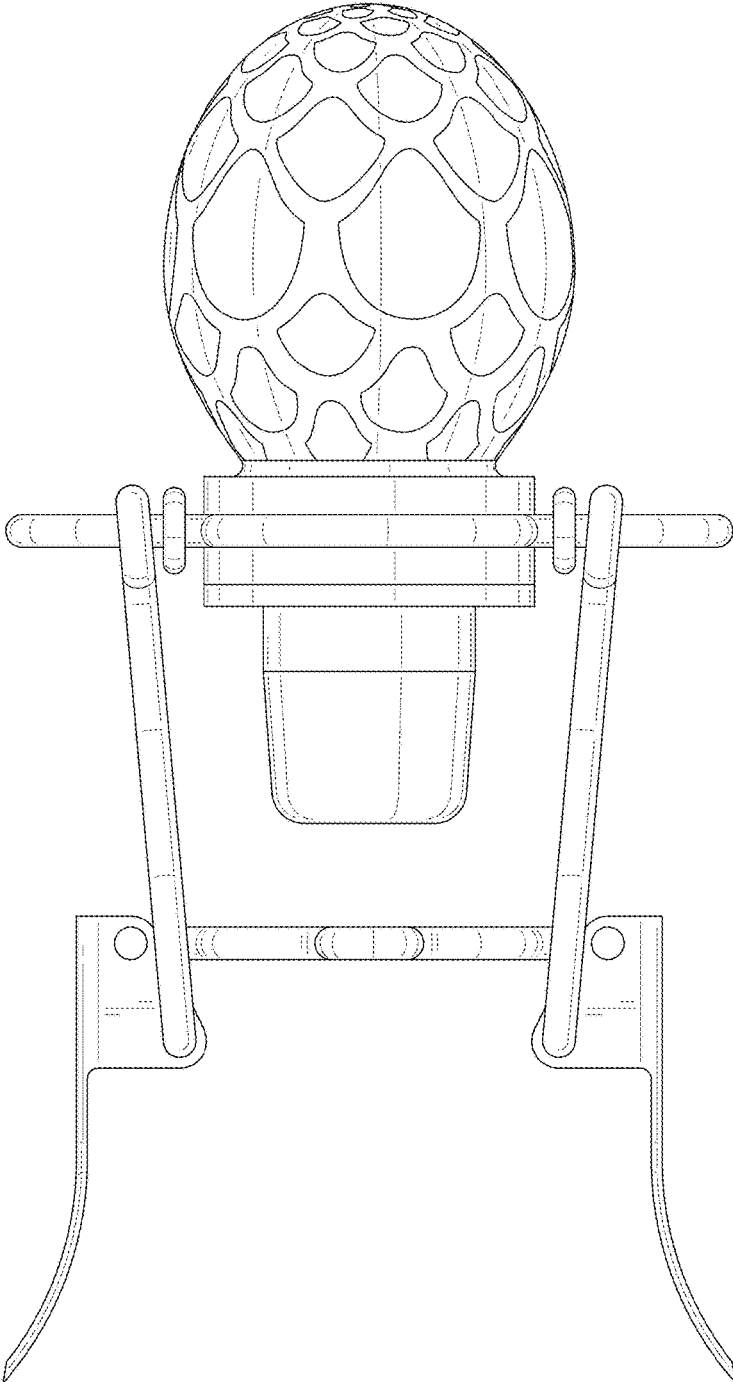


FIG. 3

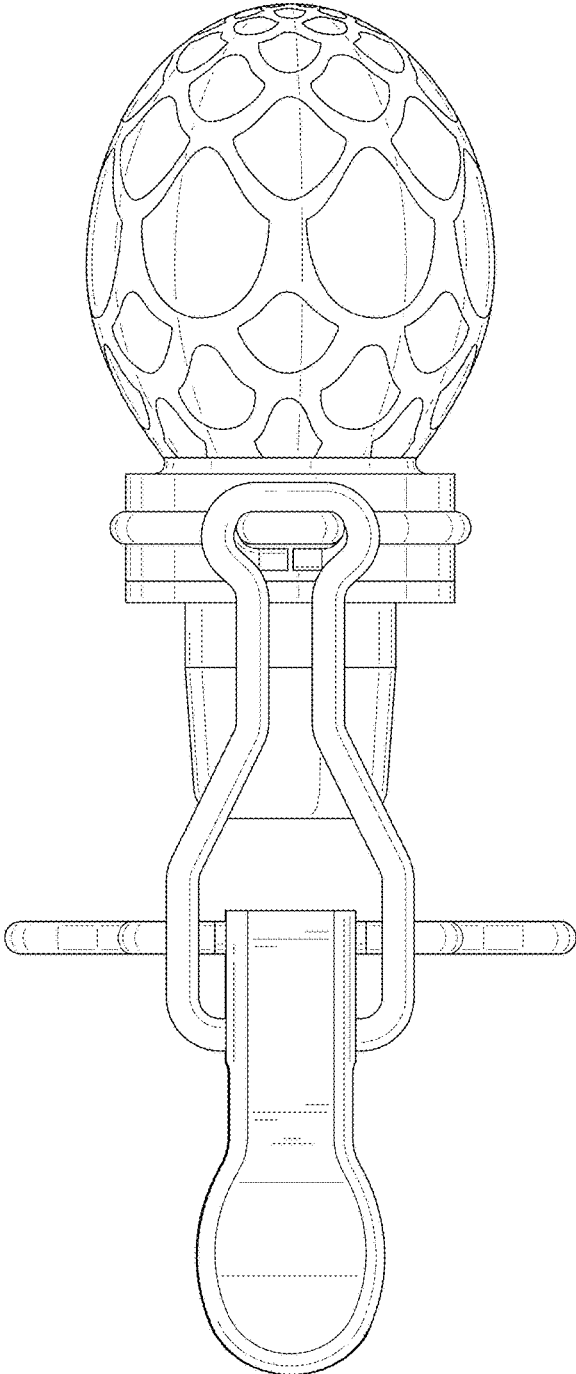


FIG. 4

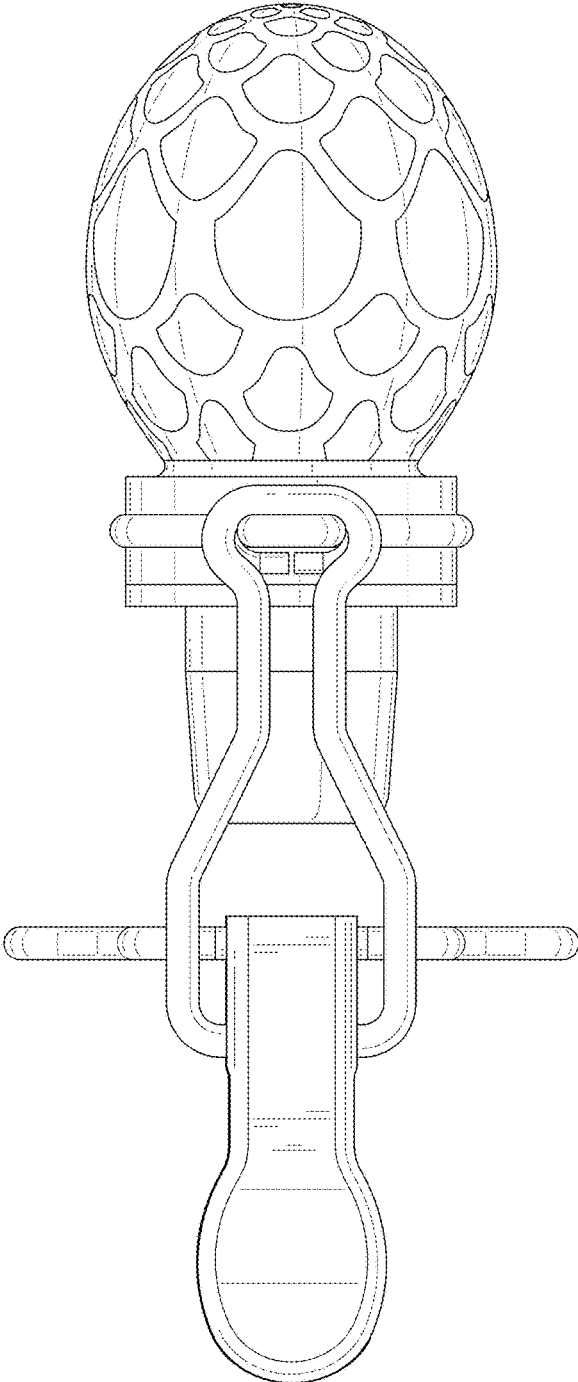


FIG. 5

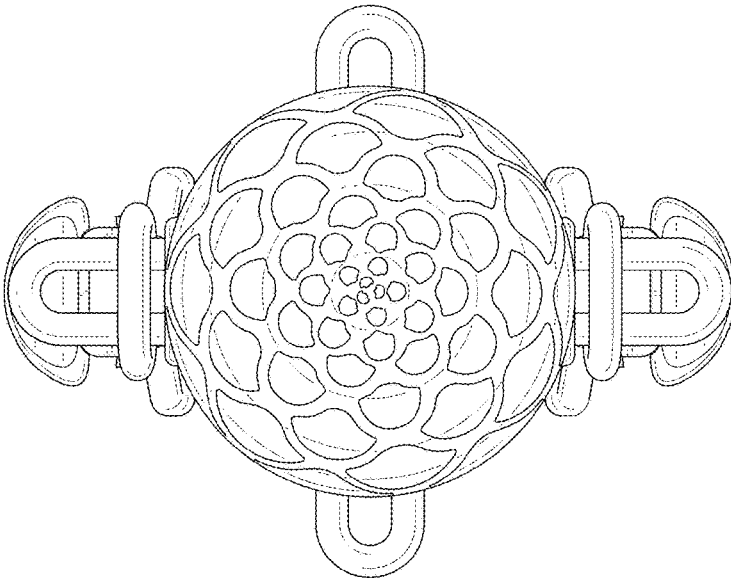
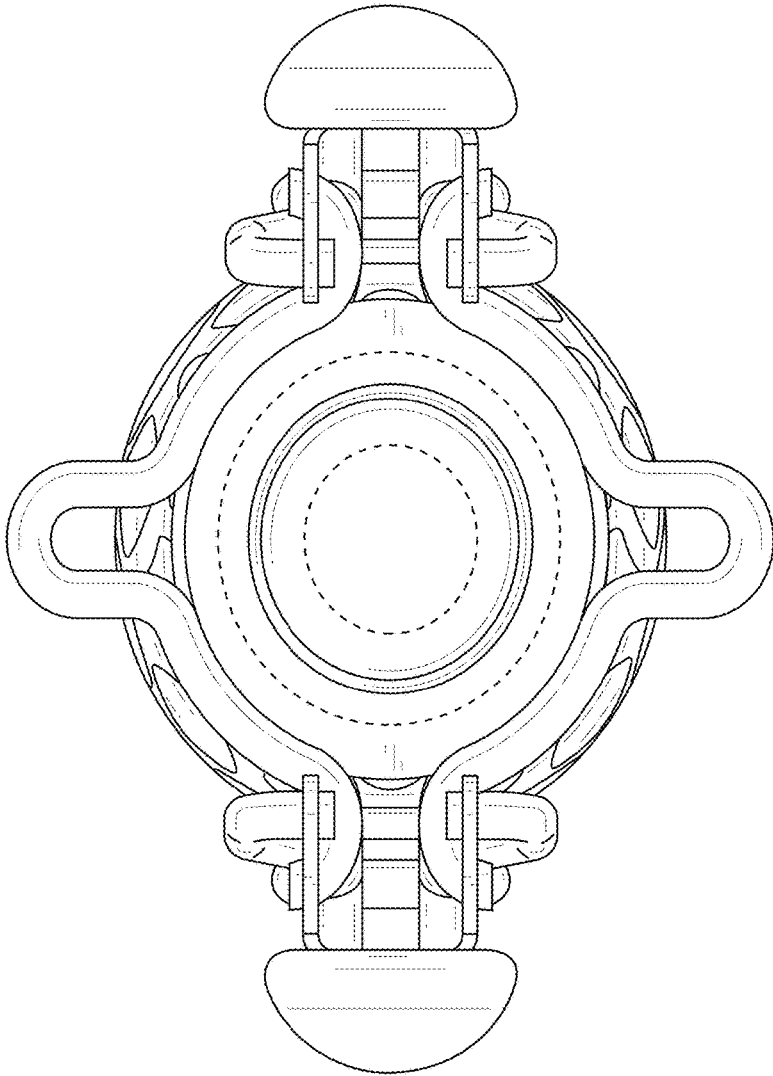


FIG. 6





**FIG. 7**