



US00D669625S

(12) **United States Design Patent**  
**Herremans**

(10) **Patent No.:** **US D669,625 S**

(45) **Date of Patent:** **\*\* Oct. 23, 2012**

(54) **LUMINAIRE**

(75) Inventor: **Yves Herremans**, Kapellen (BE)

(73) Assignee: **Koninklijke Philips Electronics N.V.**,  
Eindhoven (NL)

(\*\*) Term: **14 Years**

(21) Appl. No.: **29/403,672**

(22) Filed: **Oct. 10, 2011**

(30) **Foreign Application Priority Data**

Apr. 11, 2011 (EM) ..... 001848912-0007

(51) **LOC (9) Cl.** ..... **26-03**

(52) **U.S. Cl.** ..... **D26/90**

(58) **Field of Classification Search** ..... D26/72,  
D26/75, 76, 80, 83, 84, 86, 88-90, 124, 128;  
362/147, 404-408

See application file for complete search history.

(56) **References Cited**

**U.S. PATENT DOCUMENTS**

D119,794 S \* 4/1940 Robinson et al. .... D26/76  
D122,586 S \* 9/1940 Koegel ..... D26/78

D123,049 S \* 10/1940 Doane ..... D26/76  
D188,436 S \* 7/1960 Buoke et al. .... D26/77  
D452,030 S \* 12/2001 Collver ..... D26/76  
D466,244 S \* 11/2002 Lewis et al. .... D26/76  
D481,149 S \* 10/2003 Engel ..... D26/76  
D505,221 S \* 5/2005 Hetfield ..... D26/76  
D588,739 S \* 3/2009 Janssen ..... D26/90  
D643,142 S \* 8/2011 Kocks ..... D26/90  
D649,281 S \* 11/2011 Sabernig ..... D26/90  
D650,111 S \* 12/2011 Herremans ..... D26/84  
D657,487 S \* 4/2012 Sabernig ..... D26/84

\* cited by examiner

*Primary Examiner* — Clare E Heflin

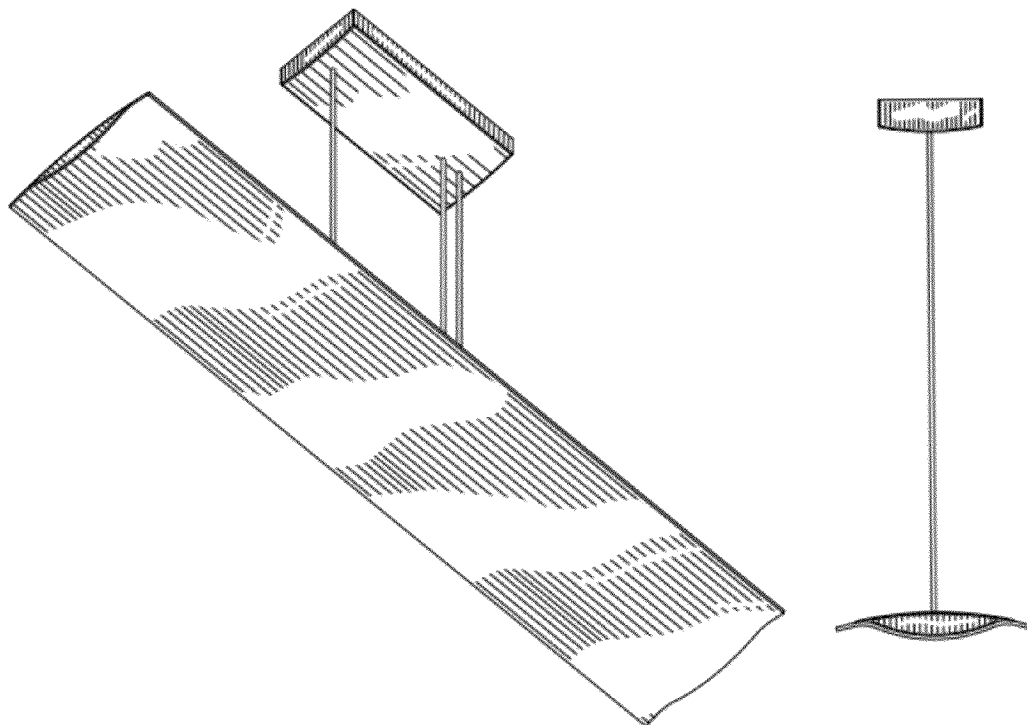
(57) **CLAIM**

The ornamental design for a luminaire, as shown.

**DESCRIPTION**

FIG. 1 is a perspective view showing my design;  
FIG. 2 is a front elevational view thereof;  
FIG. 3 is a rear elevational view thereof;  
FIG. 4 is a right side elevational view thereof;  
FIG. 5 is a left side elevational view thereof;  
FIG. 6 is a top plan view thereof; and,  
FIG. 7 is a bottom plan view thereof.

**1 Claim, 4 Drawing Sheets**



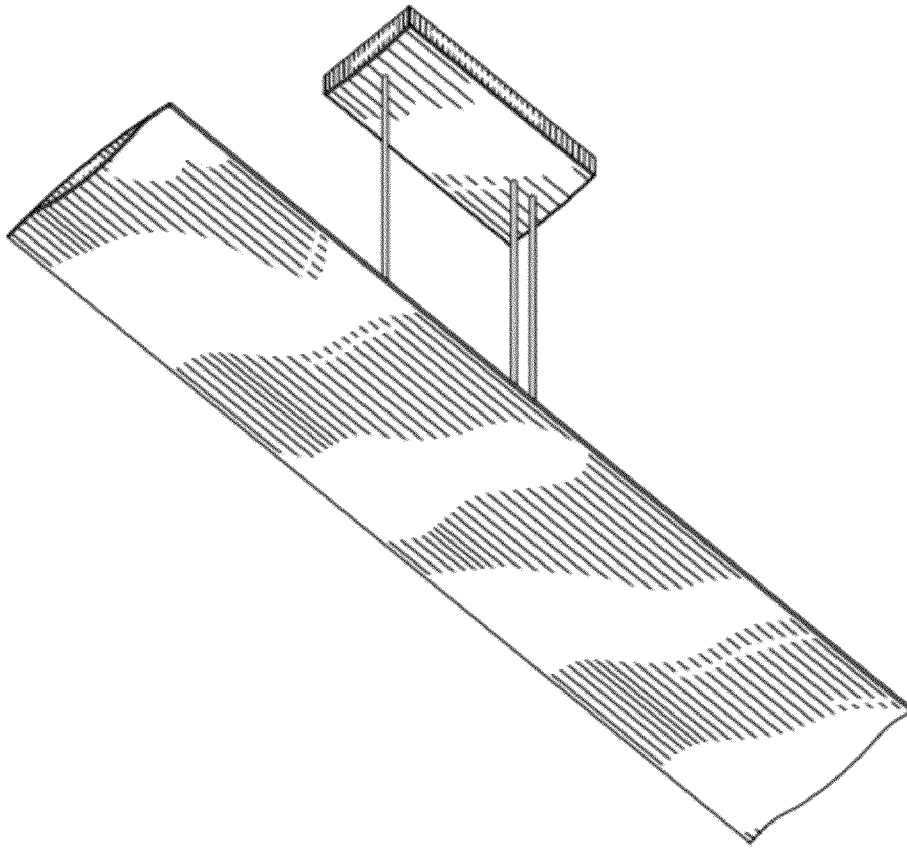


FIG.1

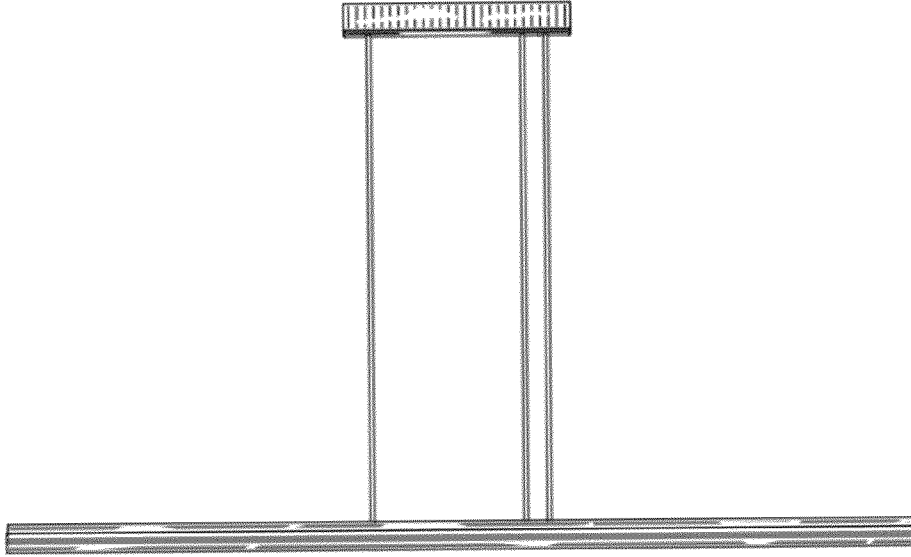


FIG. 2

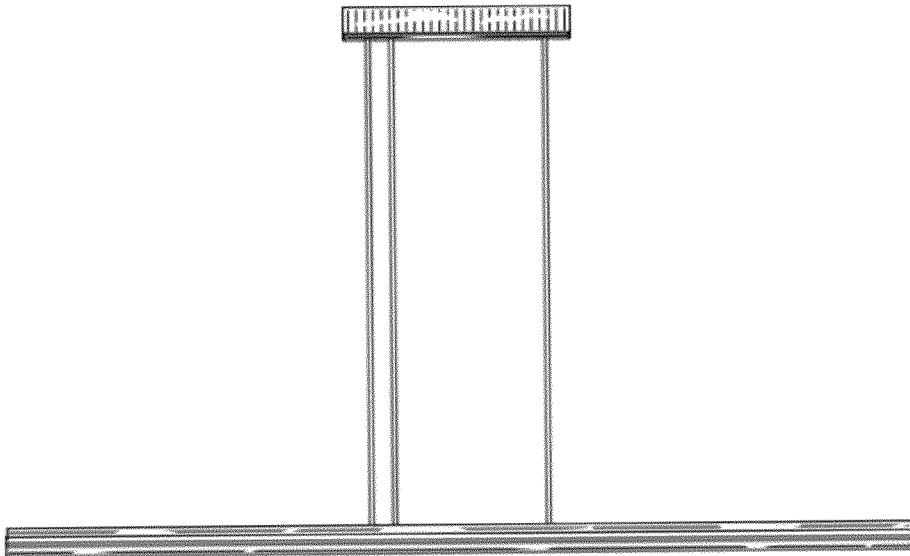


FIG. 3

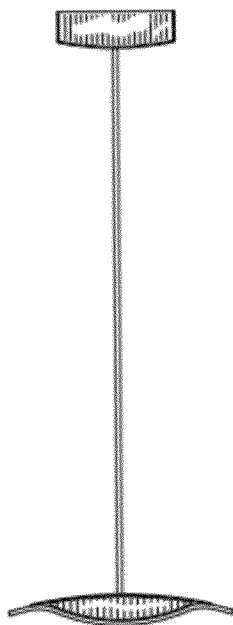


FIG. 4

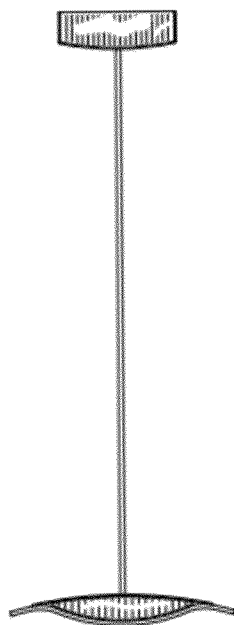


FIG. 5

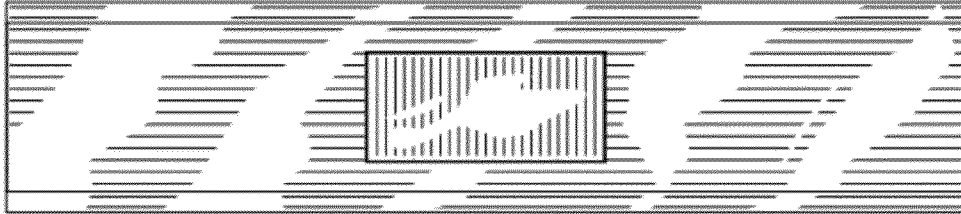


FIG. 6



FIG. 7