



US00D985731S

(12) **United States Design Patent**  
**Xu**

(10) **Patent No.:** **US D985,731 S**

(45) **Date of Patent:** **\*\* May 9, 2023**

(54) **FAUCET**

(71) Applicant: **Chao Xu**, Suzhou (CN)

(72) Inventor: **Chao Xu**, Suzhou (CN)

(\*\*) Term: **15 Years**

(21) Appl. No.: **29/859,409**

(22) Filed: **Nov. 10, 2022**

(51) **LOC (14) Cl.** ..... **23-01**

(52) **U.S. Cl.**  
USPC ..... **D23/238**

(58) **Field of Classification Search**

USPC ..... D23/213, 238-244, 249-250, 252, 254,  
D23/255, 257; D8/307-308, 352  
CPC . E03C 1/02; E03C 1/04; E03C 1/0404; E03C  
1/0412; F16K 31/602; F16K 31/605;  
F16K 31/607; Y10T 137/6014; Y10T  
137/6024; Y10T 137/9464; Y10T  
137/6017  
See application file for complete search history.

(56) **References Cited**

**U.S. PATENT DOCUMENTS**

D325,771 S *	4/1992	Di Maggio	.....	D23/238
D426,289 S *	6/2000	Levine	.....	D23/242
D435,919 S *	1/2001	Meda	.....	D23/238
D491,633 S *	6/2004	Ouyoung	.....	D23/255
D522,095 S *	5/2006	Chung	.....	D23/249
D522,622 S *	6/2006	Chung	.....	D23/249
D541,382 S *	4/2007	Hoernig	.....	D23/242
D577,105 S *	9/2008	Eilmus	.....	D23/238
D605,257 S *	12/2009	Flowers	.....	D23/238
D647,177 S *	10/2011	Liao	.....	D23/238
D647,599 S *	10/2011	Liao	.....	D23/238
D712,012 S *	8/2014	Standefer	.....	D23/255
D714,911 S *	10/2014	Cai	.....	D23/249
D791,922 S *	7/2017	Rexach	.....	D23/249

D797,245 S *	9/2017	Downey	.....	D23/242
D809,105 S *	1/2018	Cheng	.....	D23/242
D811,527 S	2/2018	Fritz	.....	
D816,804 S *	5/2018	Chong	.....	D23/238
D827,784 S *	9/2018	Soulier	.....	D23/255
D835,239 S *	12/2018	Ziemann	.....	D23/242
D852,328 S *	6/2019	Garland	.....	D23/249
D867,536 S *	11/2019	Soulier	.....	D23/241
D896,925 S *	9/2020	Liu	.....	D23/241
D930,118 S	9/2021	Elser	.....	
D934,390 S *	10/2021	Levi	.....	D23/242
D935,566 S *	11/2021	Abel	.....	D23/242
D940,282 S *	1/2022	Bahler	.....	D23/253
D941,959 S *	1/2022	Fritz	.....	D23/238
D941,960 S *	1/2022	Zeff	.....	D23/242
D954,206 S *	6/2022	Li	.....	D23/242
D973,183 S *	12/2022	Ng	.....	D23/242

\* cited by examiner

*Primary Examiner* — Amy C Wierenga

*Assistant Examiner* — Kathryn Elizabeth Zieno

(74) *Attorney, Agent, or Firm* — Daniel M. Cohn;  
Howard M. Cohn

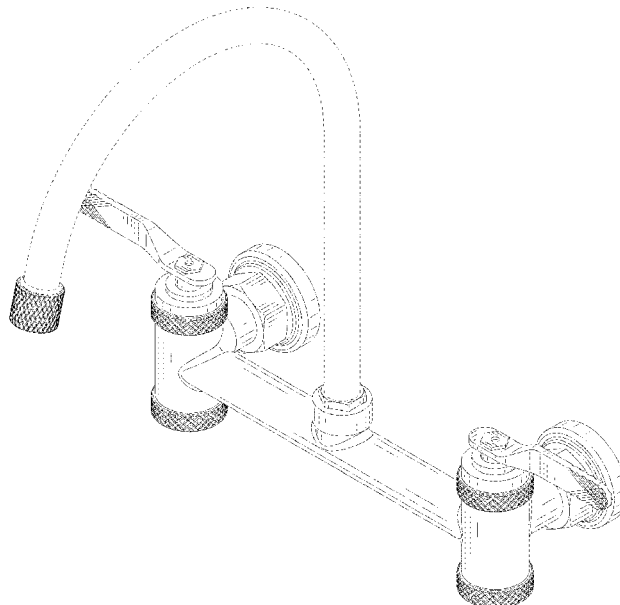
(57) **CLAIM**

The ornamental design for a faucet, as shown and described.

**DESCRIPTION**

FIG. 1 is a perspective view of a faucet showing my new design;  
FIG. 2 is another perspective view thereof;  
FIG. 3 is a front elevational view thereof;  
FIG. 4 is a rear elevational view thereof;  
FIG. 5 is a left side elevational view thereof;  
FIG. 6 is a right side elevational view thereof;  
FIG. 7 is a top plan view thereof; and,  
FIG. 8 is a bottom plan view thereof.  
The broken lines in the drawings depict portions of the faucet that form no part of the claimed design.

**1 Claim, 8 Drawing Sheets**



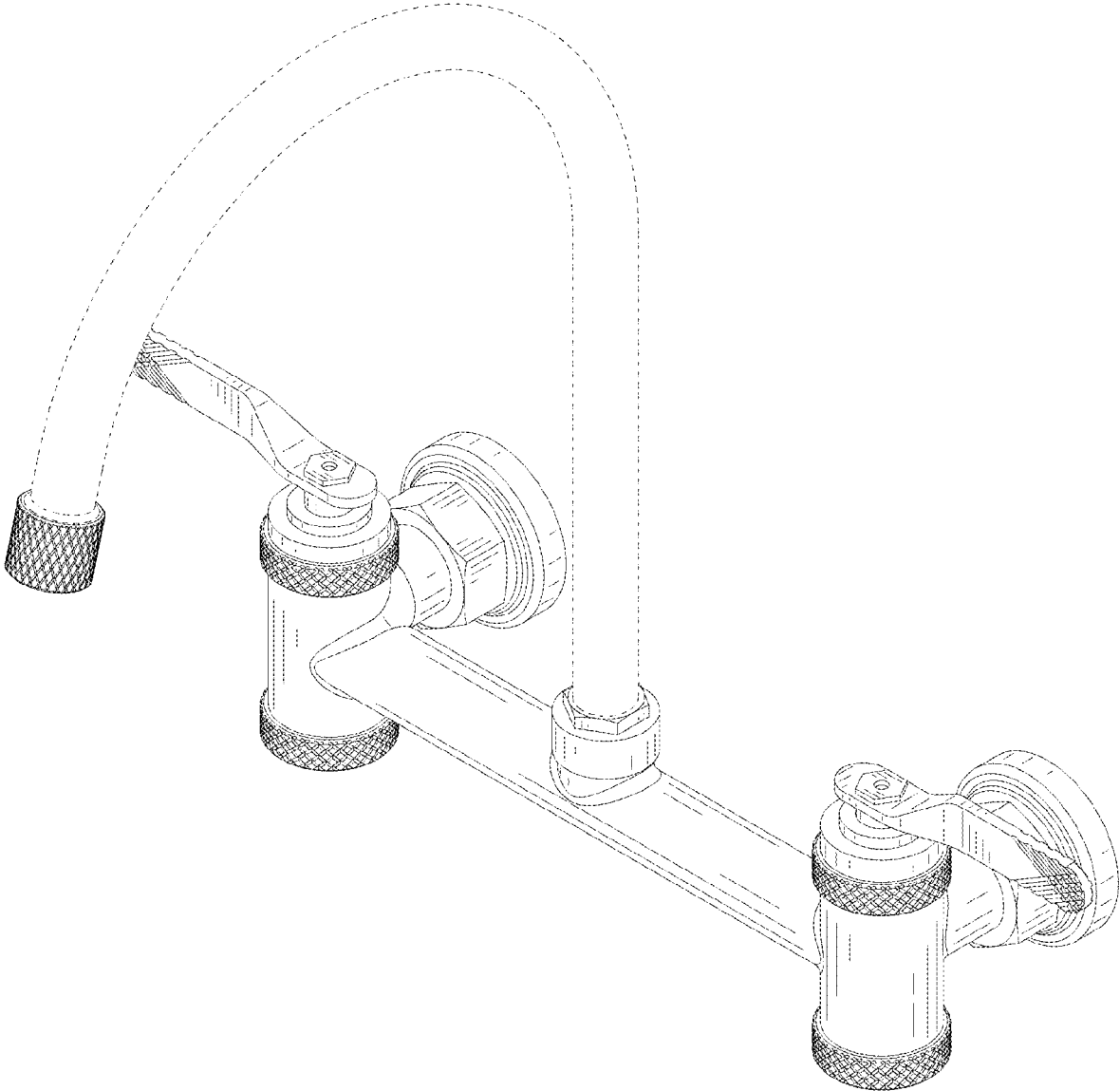


FIG. 1

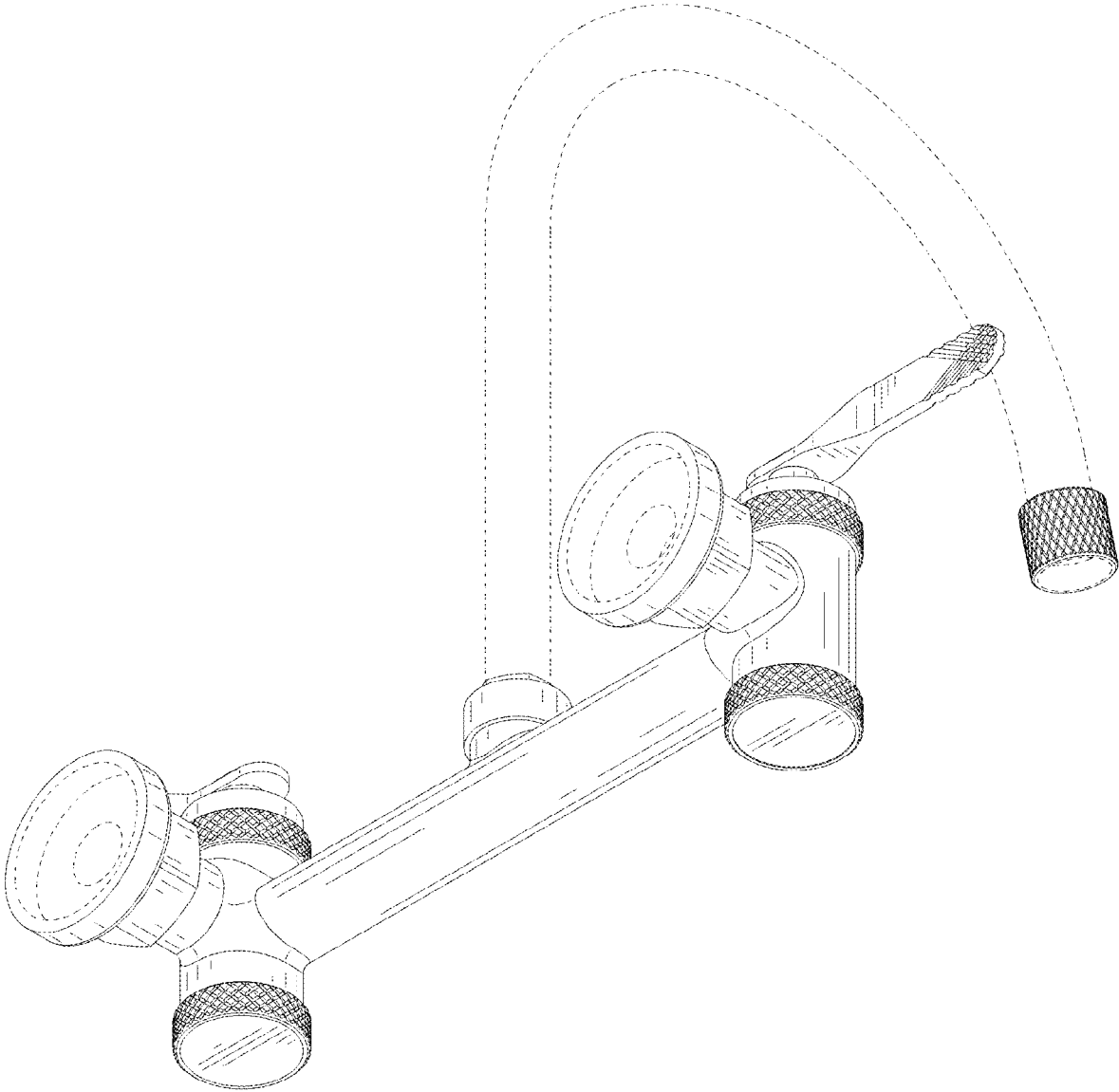


FIG. 2

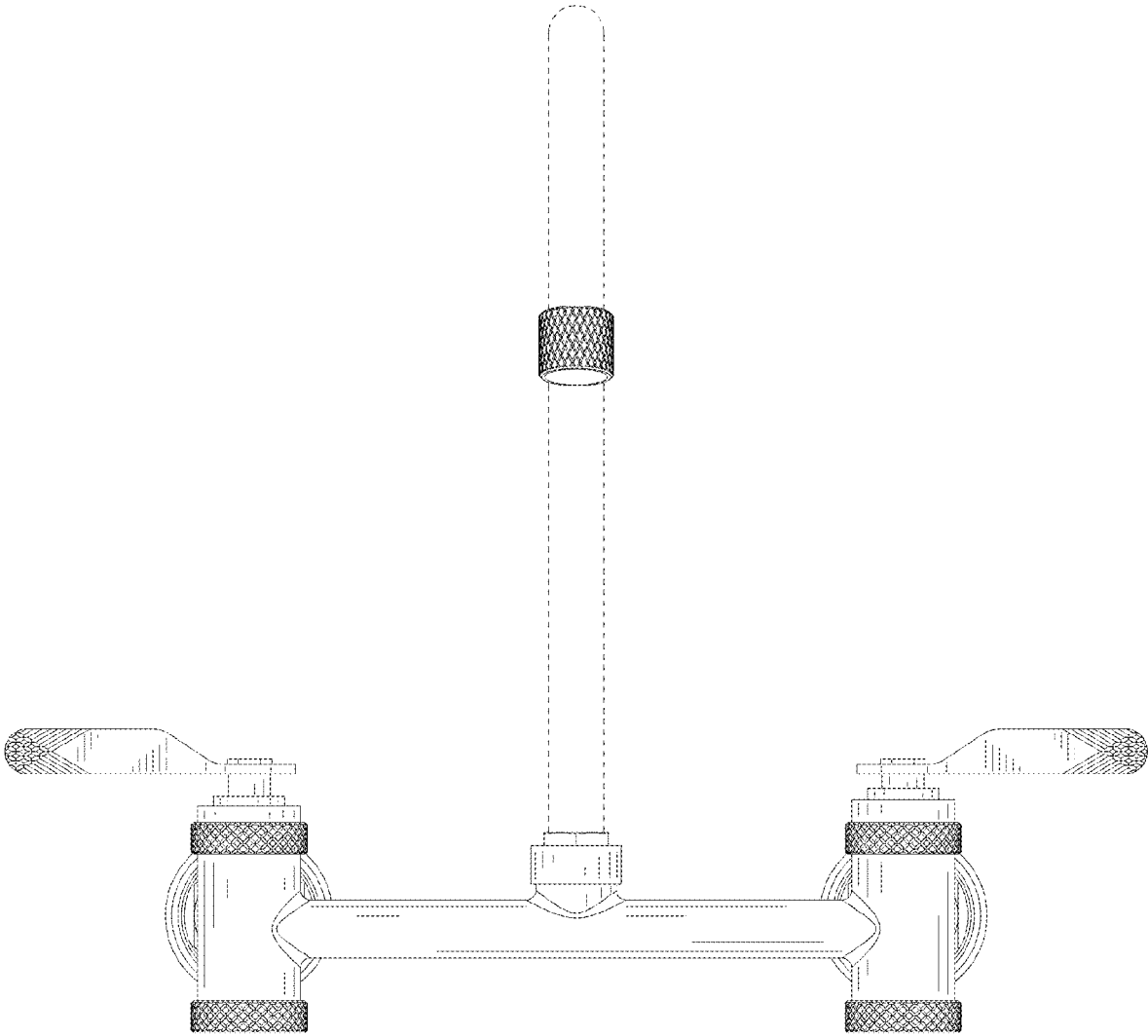


FIG. 3

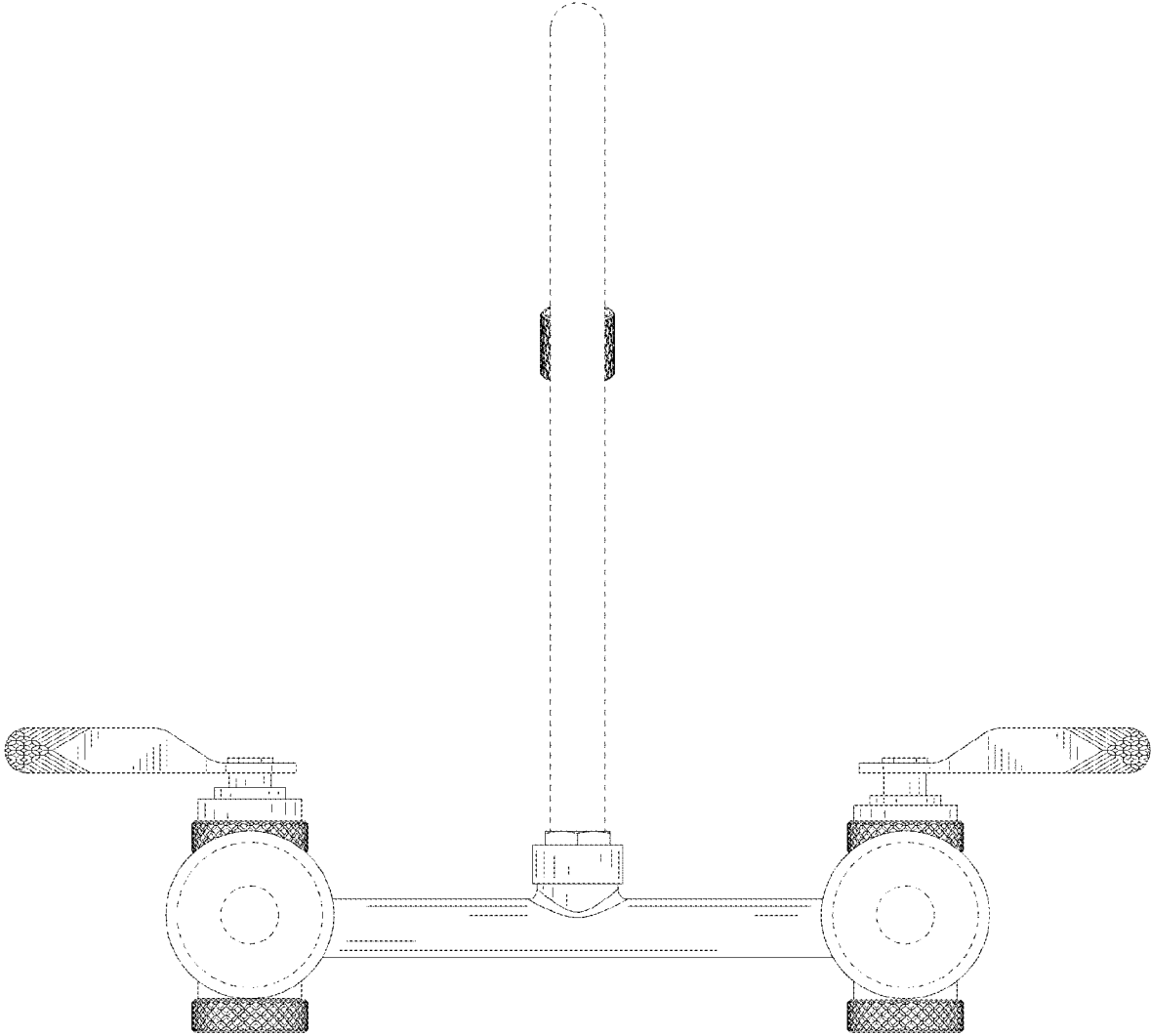


FIG. 4

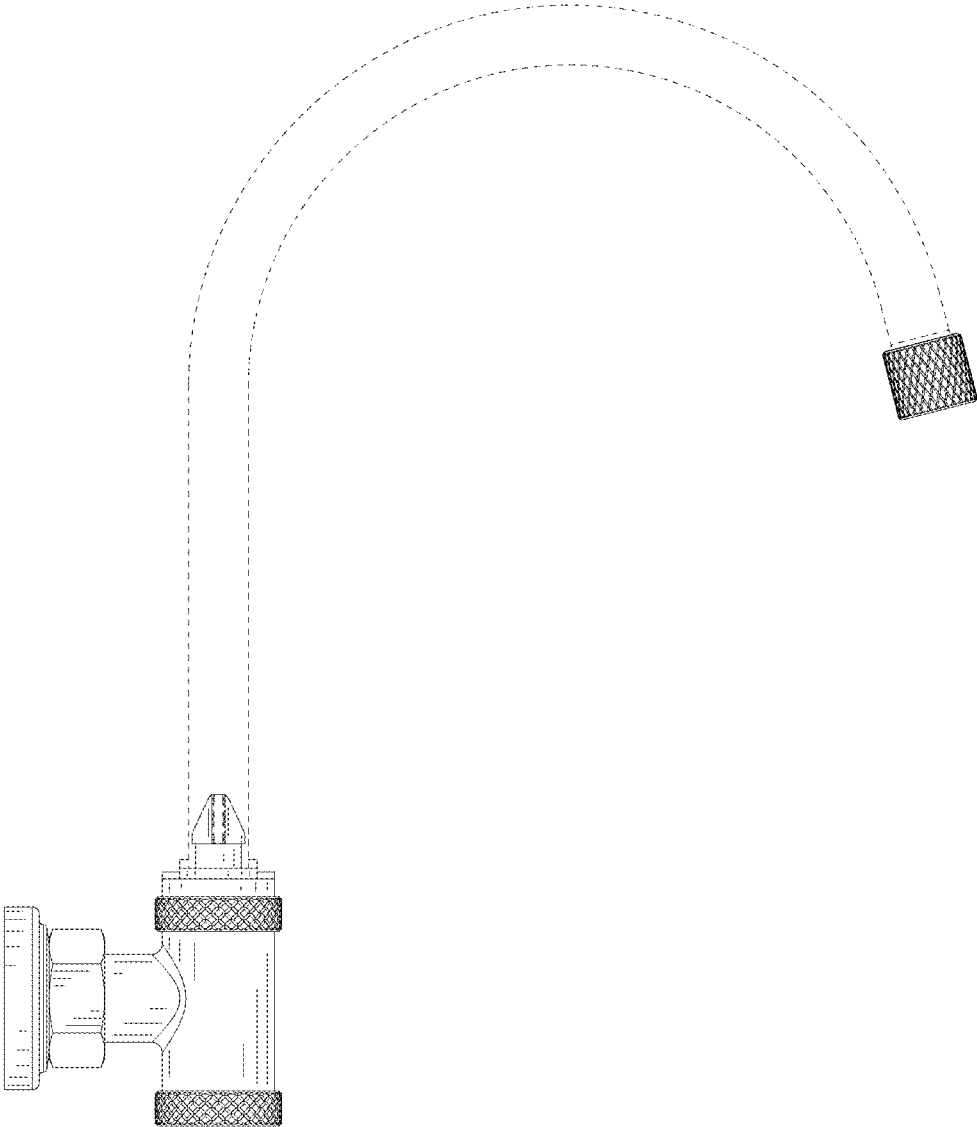


FIG. 5

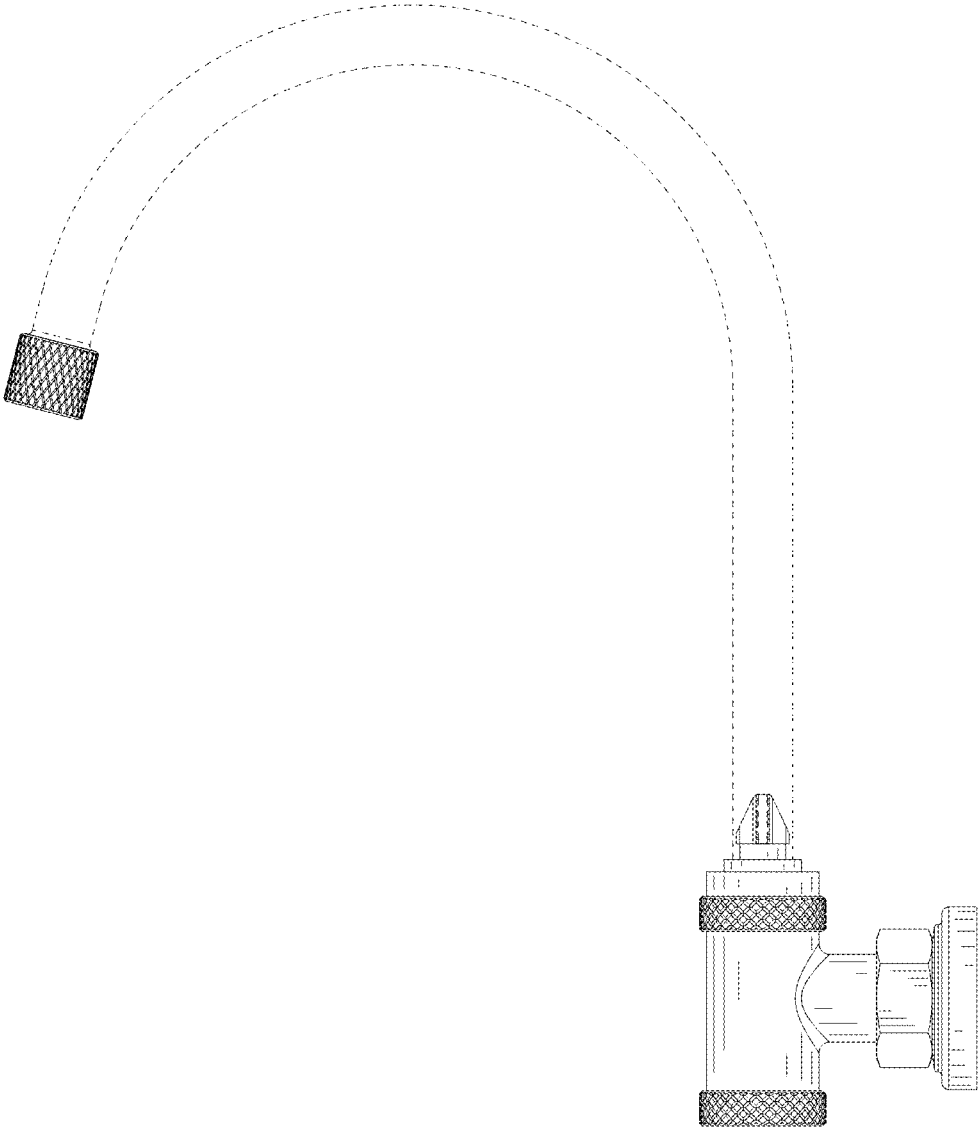


FIG. 6

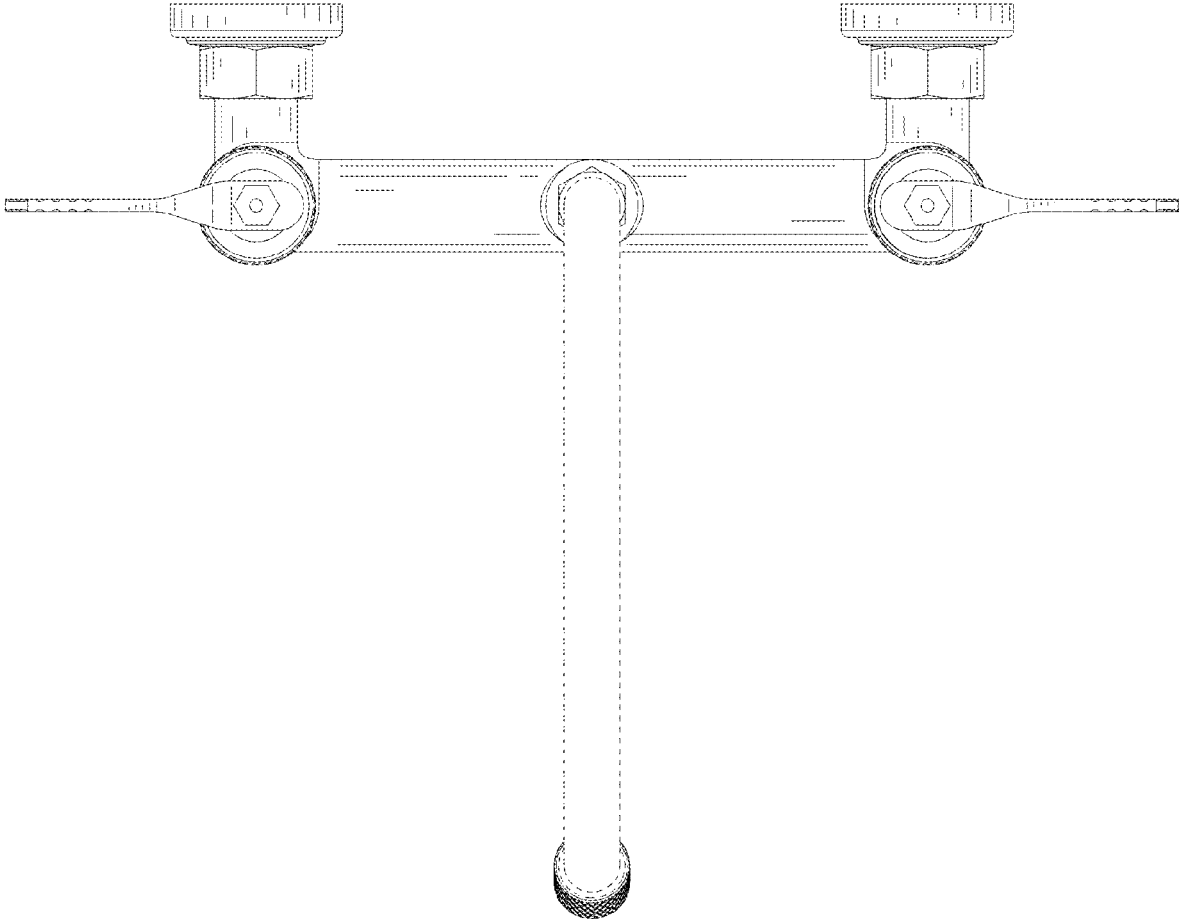


FIG. 7



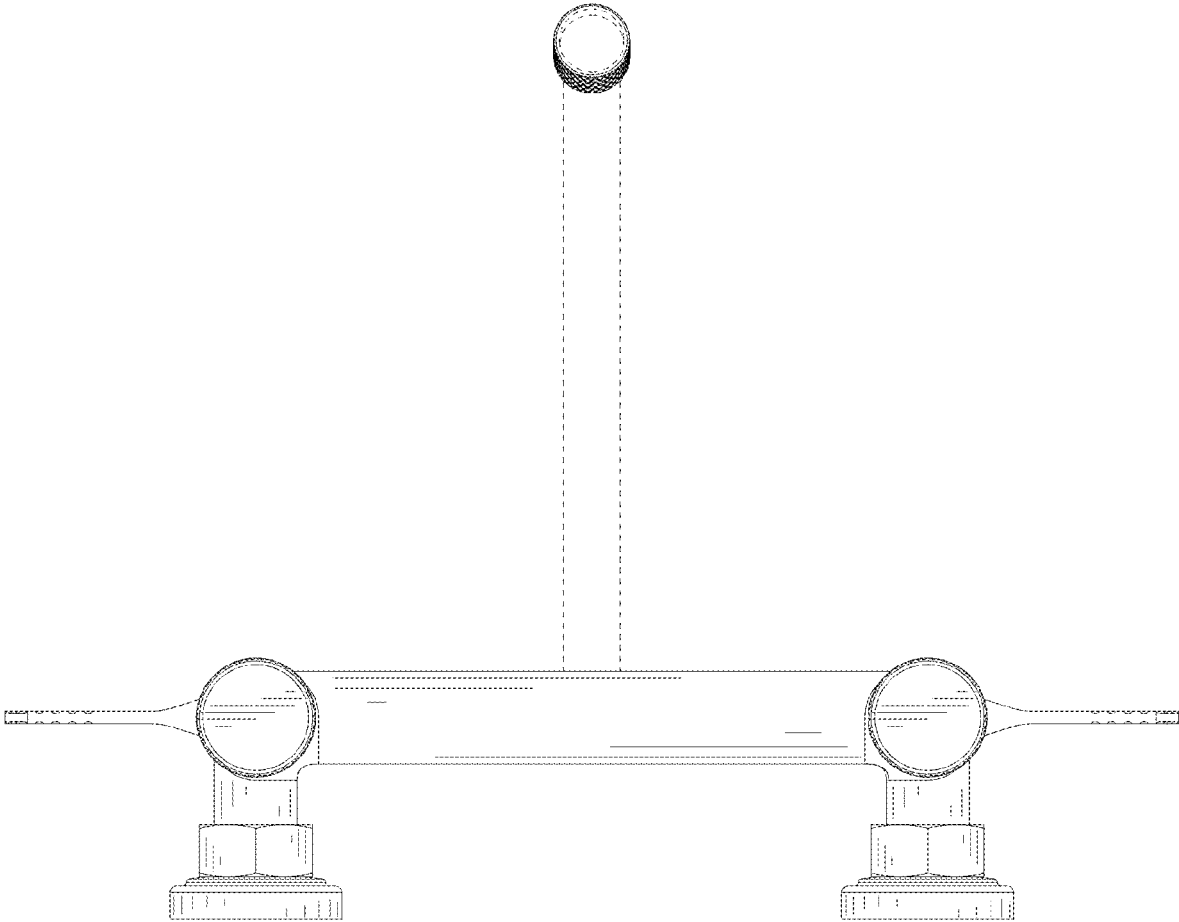


FIG. 8