



US00D593629S

(12) **United States Design Patent**  
**Bantle et al.**

(10) **Patent No.:** **US D593,629 S**  
(45) **Date of Patent:** **\*\* Jun. 2, 2009**

(54) **HANDGUN**

(75) Inventors: **Hans Peter Bantle**, Dunningen-Seedorf (DE); **Frank Henninger**, Oberndorf (DE)

(73) Assignee: **Heckler & Koch, GmbH**, Oberndorf/Neckar (DE)

(\*\*) Term: **14 Years**

(21) Appl. No.: **29/257,294**

(22) Filed: **Mar. 31, 2006**

D464,702 S	10/2002	Mauch et al.	
6,493,979 B2	12/2002	Katzmaier	
6,557,288 B2 *	5/2003	Szabo	42/70.01
D479,570 S *	9/2003	Scheunert	D22/104
6,766,606 B2	7/2004	Fluhr et al.	
6,857,213 B2	2/2005	Fluhr	
D503,207 S *	3/2005	Salva	D22/104
D503,208 S *	3/2005	Krieger	D22/104
6,865,839 B2	3/2005	Bantle et al.	
D505,475 S *	5/2005	Salva	D22/104
6,907,813 B2	6/2005	Gablowski	
6,907,814 B2	6/2005	Spinner et al.	
7,047,864 B2	5/2006	Spinner et al.	
D559,337 S *	1/2008	Wang	D21/574

(30) **Foreign Application Priority Data**

Dec. 1, 2005	(EM)	000440532-0001
Dec. 1, 2005	(EM)	000440532-0002
Dec. 1, 2005	(EM)	000440532-0003
Dec. 1, 2005	(EM)	000440532-0004
Dec. 1, 2005	(EM)	000440532-0005
Dec. 1, 2005	(EM)	000440532-0006

- (51) **LOC (9) Cl.** ..... **22-01**
- (52) **U.S. Cl.** ..... **D22/104**
- (58) **Field of Classification Search** ..... D22/104,  
D22/108, 100, 105, 199, 109, 110; D21/567,  
D21/570, 573-575; 124/22, 37, 40; 362/114;  
42/1.02, 7.5, 65, 70.11, 71.01, 74, 75.03,  
42/117

See application file for complete search history.

(56) **References Cited**

**U.S. PATENT DOCUMENTS**

D316,587 S *	4/1991	Sanford	D22/104
5,309,815 A	5/1994	Moller et al.	
D359,098 S *	6/1995	Stevens	D22/104
D359,788 S *	6/1995	Ruger et al.	D22/104
5,581,046 A	12/1996	Weldle et al.	
5,654,519 A	8/1997	Albrecht et al.	
5,694,713 A *	12/1997	Paldino	42/115
D430,916 S *	9/2000	Bubits	D22/104
6,314,859 B1	11/2001	Weichert et al.	
6,345,463 B1 *	2/2002	Baer, Sr.	42/97

\* cited by examiner

*Primary Examiner*—Ian Simmons

*Assistant Examiner*—Wan Laymon

(74) *Attorney, Agent, or Firm*—Hanley, Flight & Zimmerman, LLC

(57) **CLAIM**

The ornamental design for a handgun, as shown and described.

**DESCRIPTION**

FIG. 1 is a left side perspective view of a handgun with a smooth rear sight showing our new design.

FIG. 2 is a left side view of the handgun of FIG. 1.

FIG. 3 is a right side view of the handgun of FIG. 1.

FIG. 4 is a right, front perspective view of the handgun of FIG. 1.

FIG. 5 is a top view of the handgun of FIG. 1.

FIG. 6 is a bottom view of the handgun of FIG. 1.

FIG. 7 is a front view of the handgun of FIG. 1.

FIG. 8 is a rear view of the handgun of FIG. 1.

FIG. 9 is a left side perspective view of a handgun with a grooved rear sight showing our new design.

FIG. 10 is a top view of the handgun of FIG. 9.

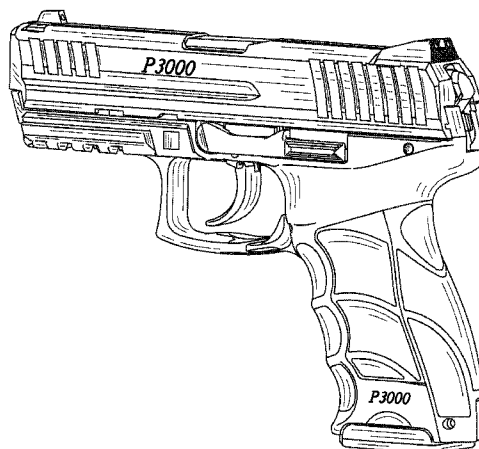
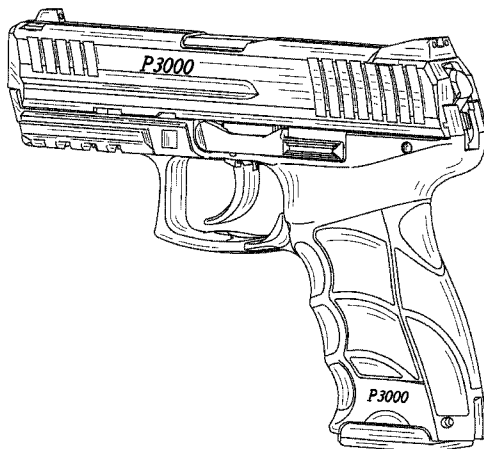


FIG. 11 is a rear view thereof, the left and right side views, the right, front perspective view, the bottom view, and the front view are the same as those shown for FIG. 1.

FIG. 12 is a left side perspective view of a handgun with a smooth rear sight showing our new design.

FIG. 13 is a left side view thereof, the right side view, the right, front perspective view, the top view, the bottom view, the front view and the rear view are the same as those shown for FIG. 1.

FIG. 14 is a left side perspective view of a handgun with a grooved rear sight showing our new design, the left side view is the same as that shown for FIG. 12. The right side view, the right, front perspective view, the bottom view, and the front view are the same as those shown for FIG. 1. The top and rear views are the same as those shown for FIG. 9.

FIG. 15 is a left side perspective view of a handgun with a smooth rear sight showing our new design.

FIG. 16 is a left side view thereof, the right side view, the right, front perspective view, the top view, the bottom view, the front view and the rear view are the same as those shown for FIG. 1; and,

FIG. 17 is a left side perspective view of a handgun with a grooved rear sight showing our new design, the left side view is the same as that shown for FIG. 16. The right side view, the right, front perspective view, the bottom view, and the front view are the same as those shown for FIG. 1. The top and rear views are the same as those shown for FIG. 9.

The P 30 insignia, forming part of the claimed design of FIGS. 12, 13 and 14, and the P 3000 insignia, forming part of the claimed design of FIGS. 1, 2, and 9, are registered trademarks of Heckler & Koch GmbH.

**1 Claim, 17 Drawing Sheets**

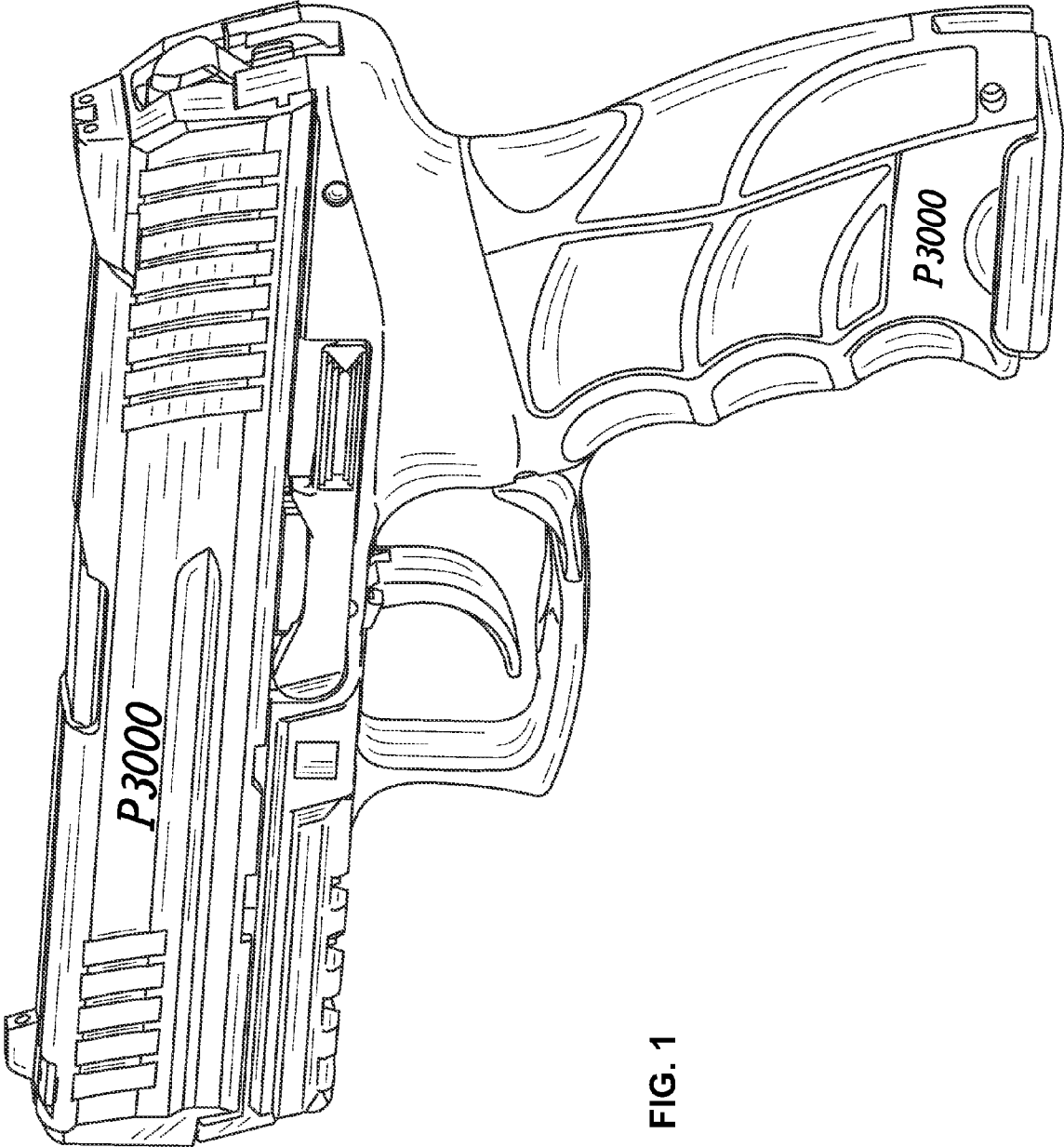


FIG. 1

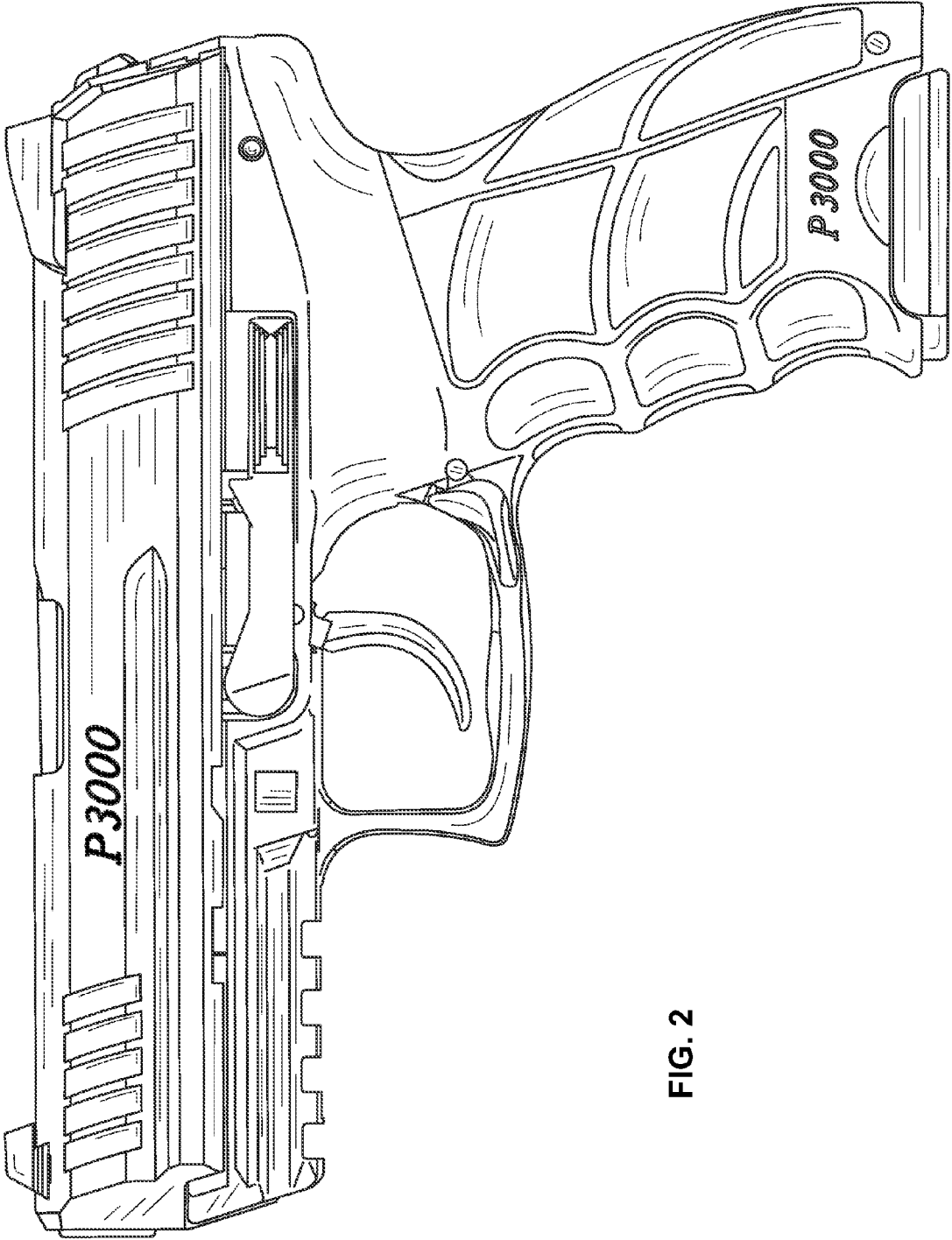


FIG. 2

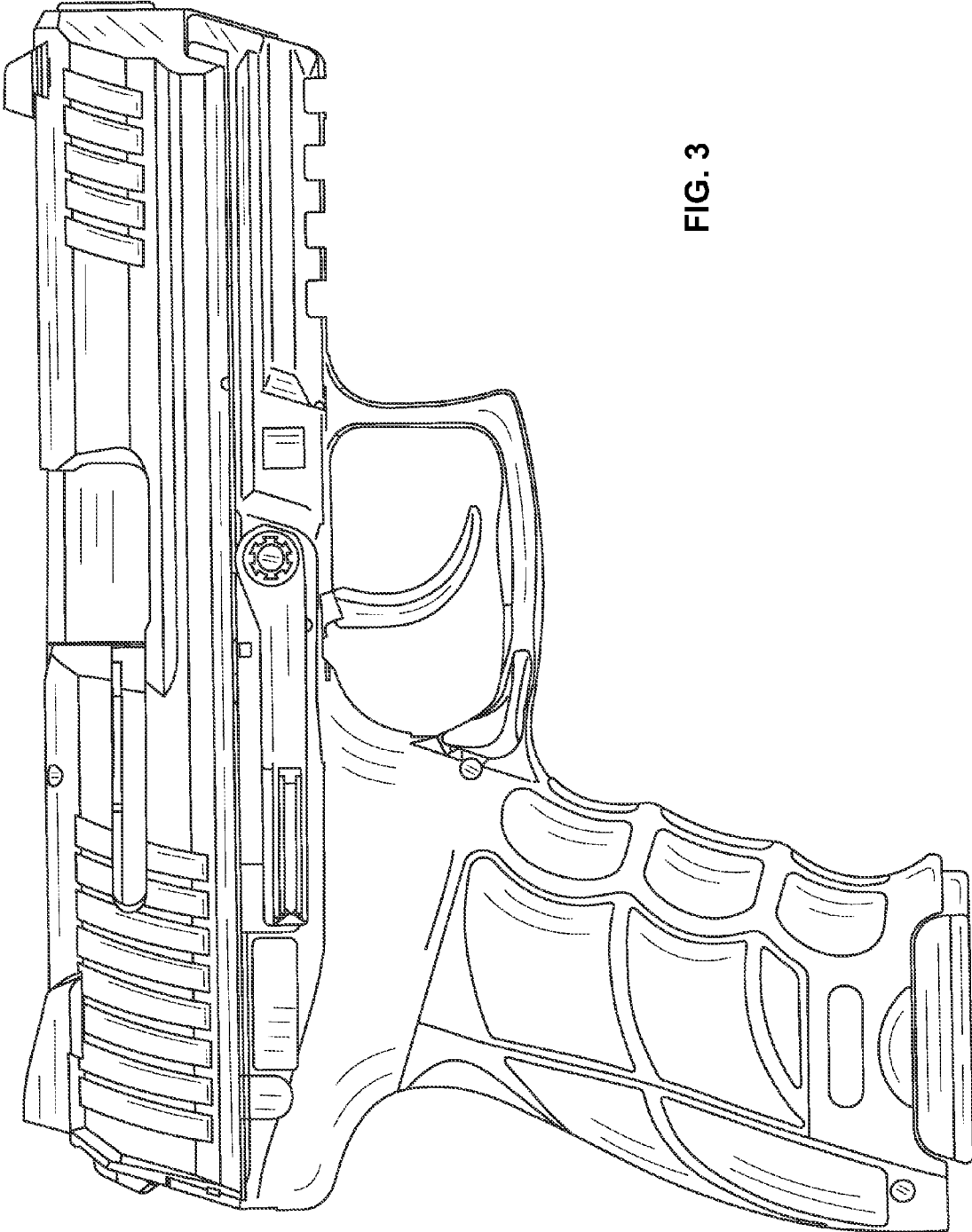


FIG. 3

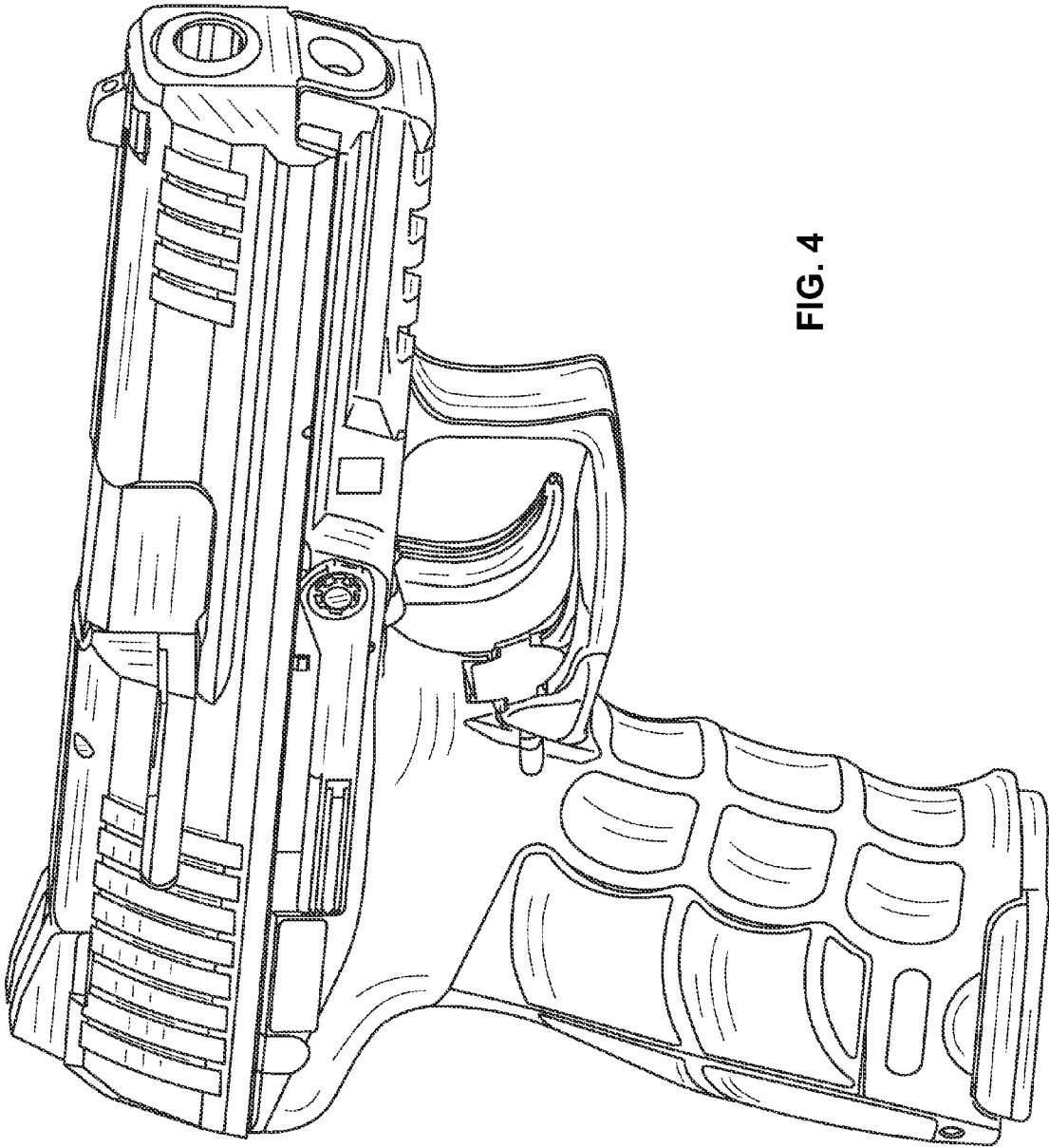


FIG. 4

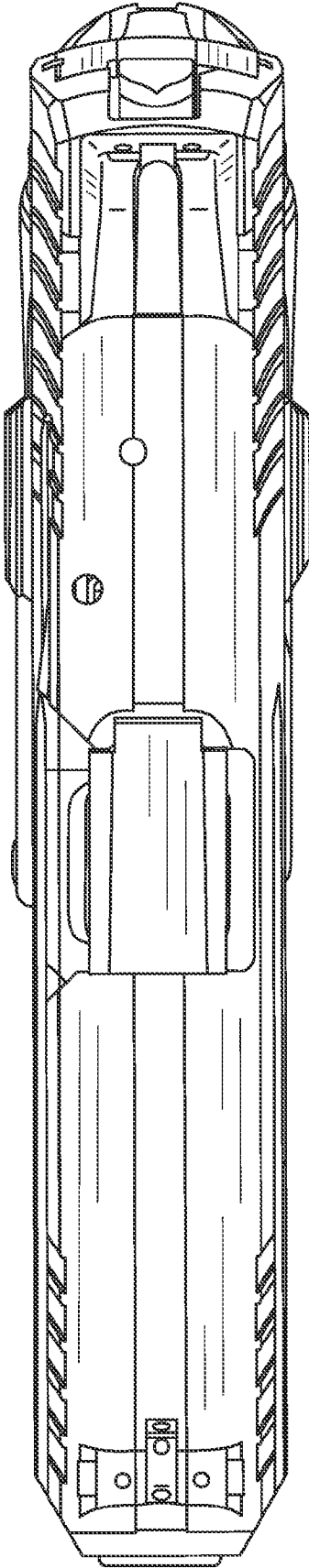


FIG. 5

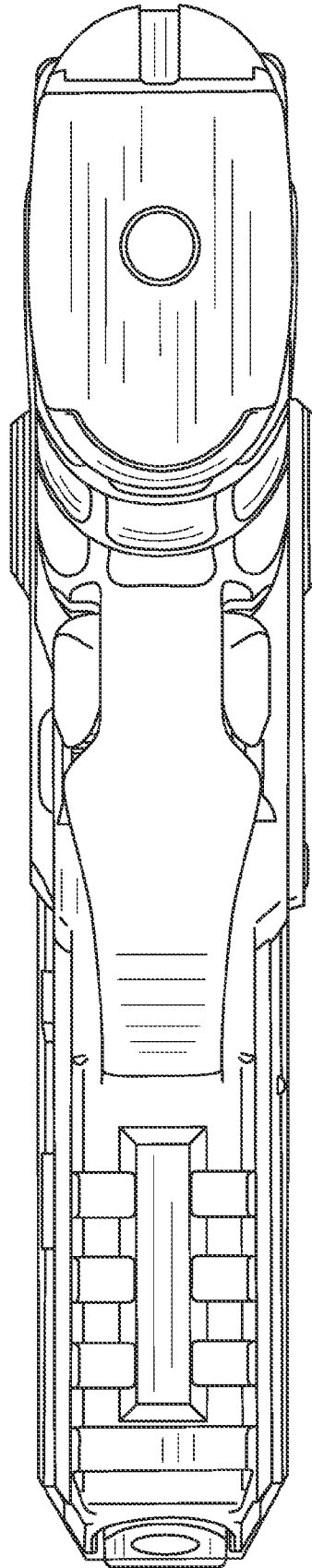


FIG. 6



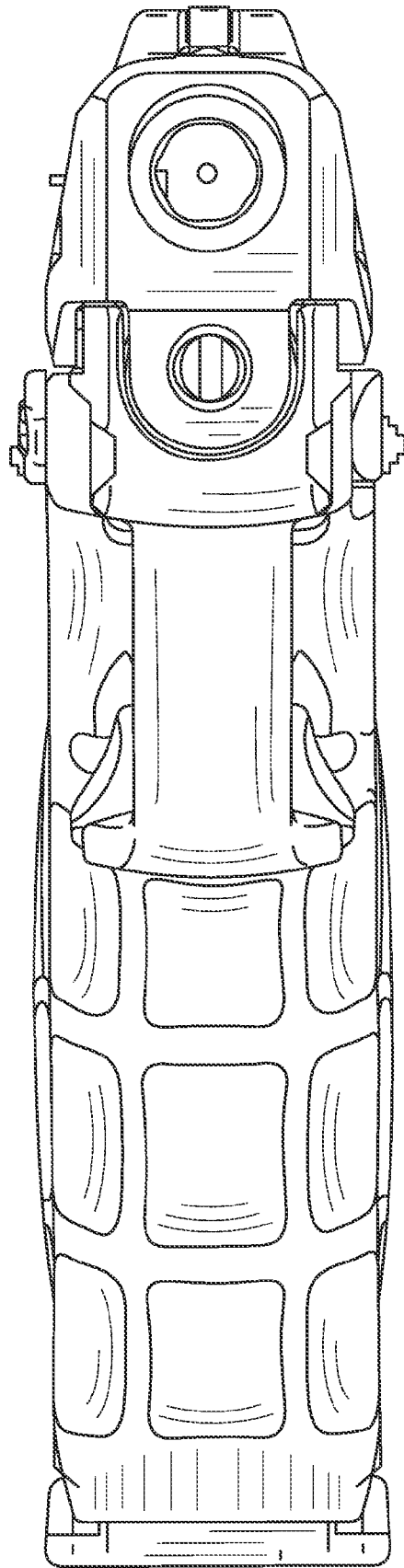


FIG. 7

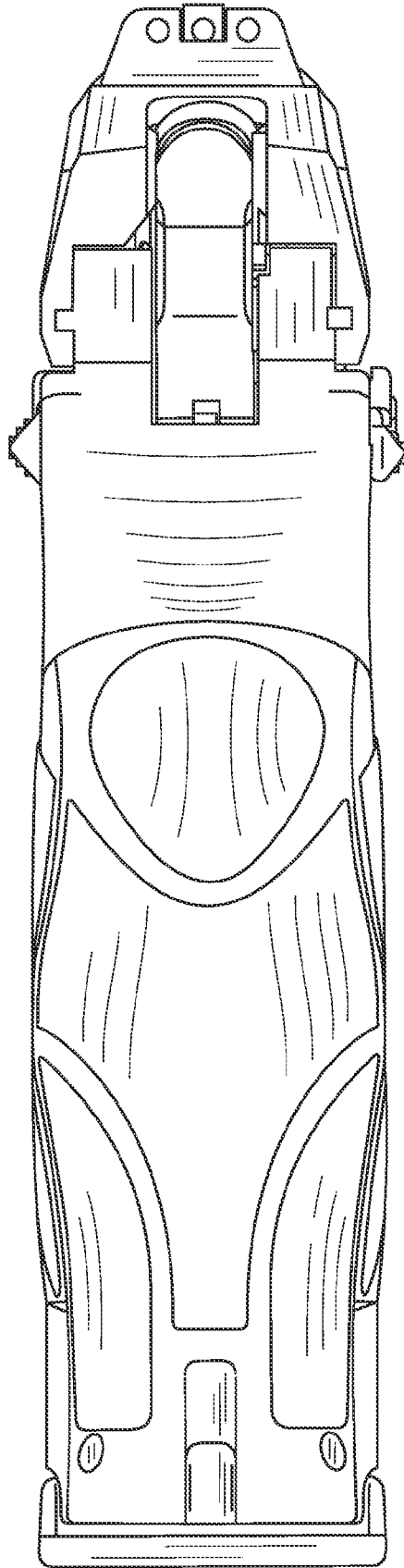


FIG. 8

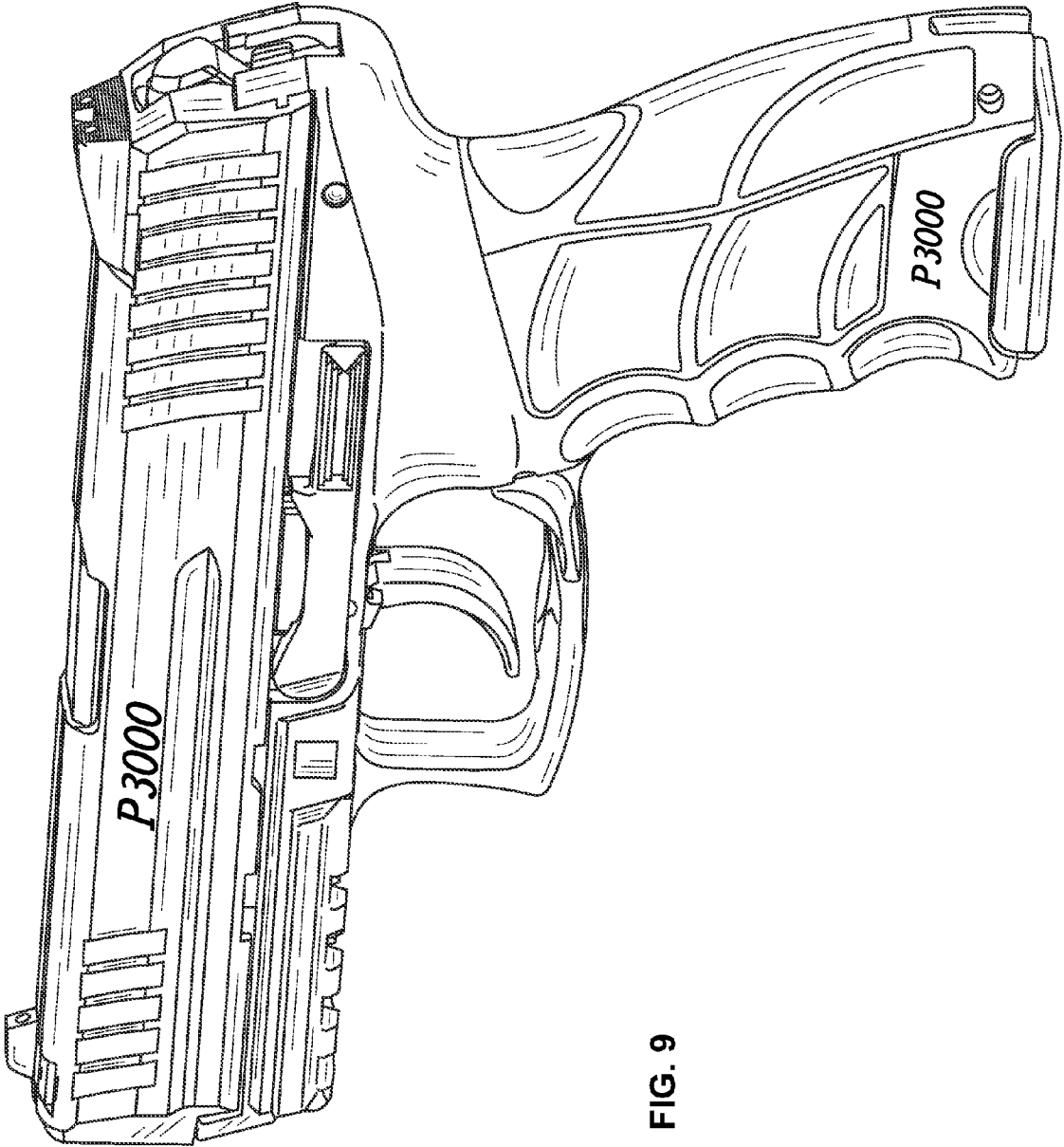


FIG. 9

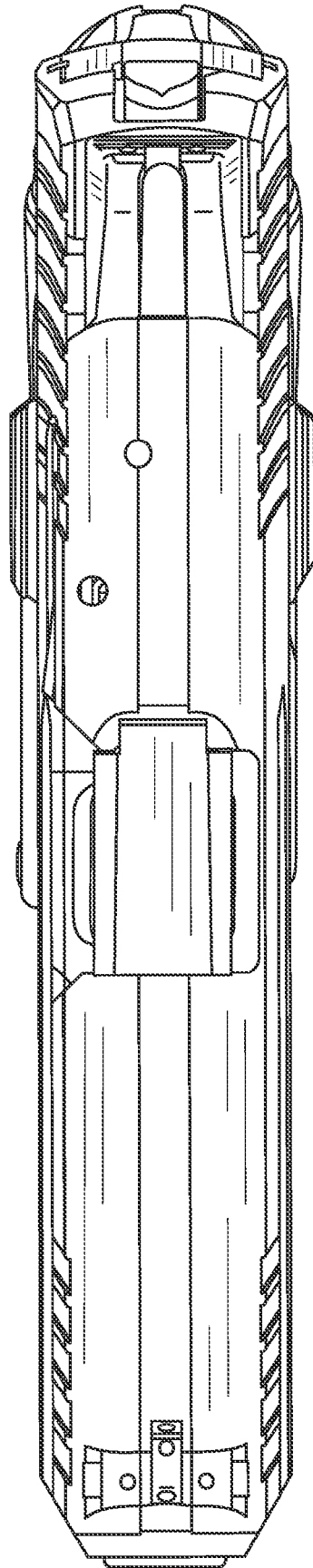


FIG. 10

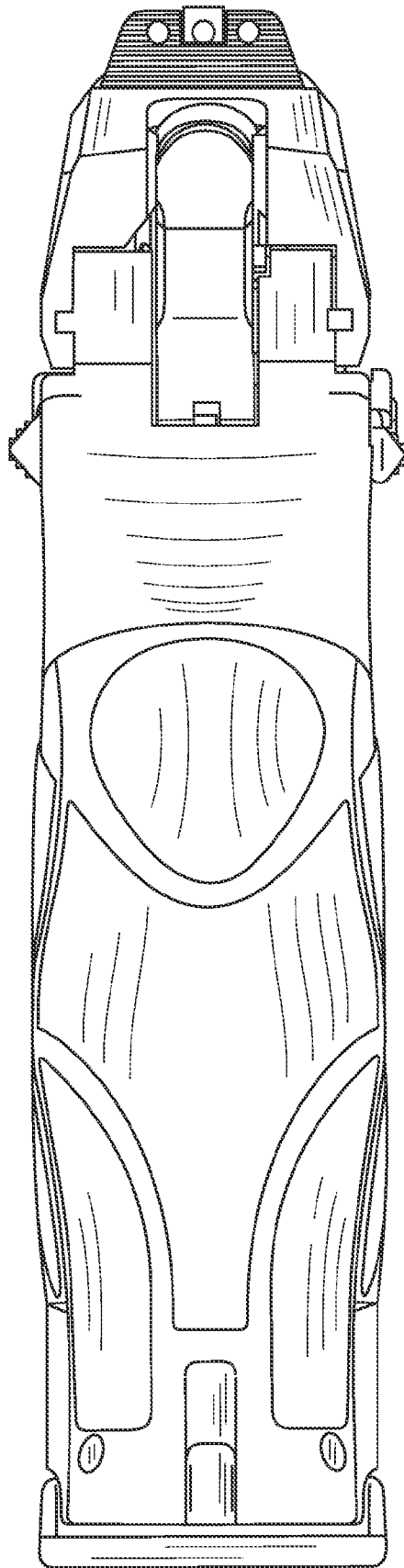


FIG. 11

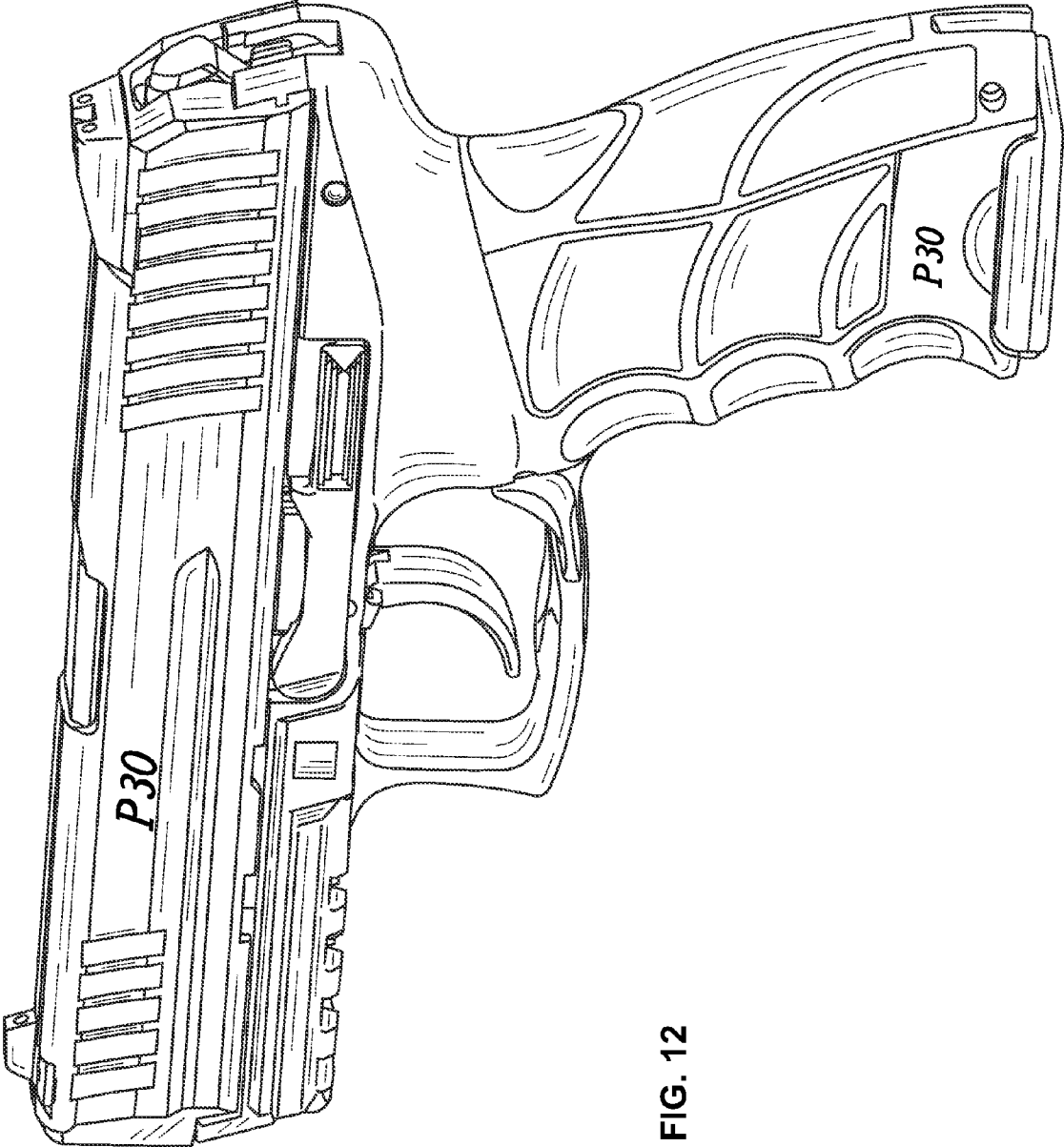


FIG. 12

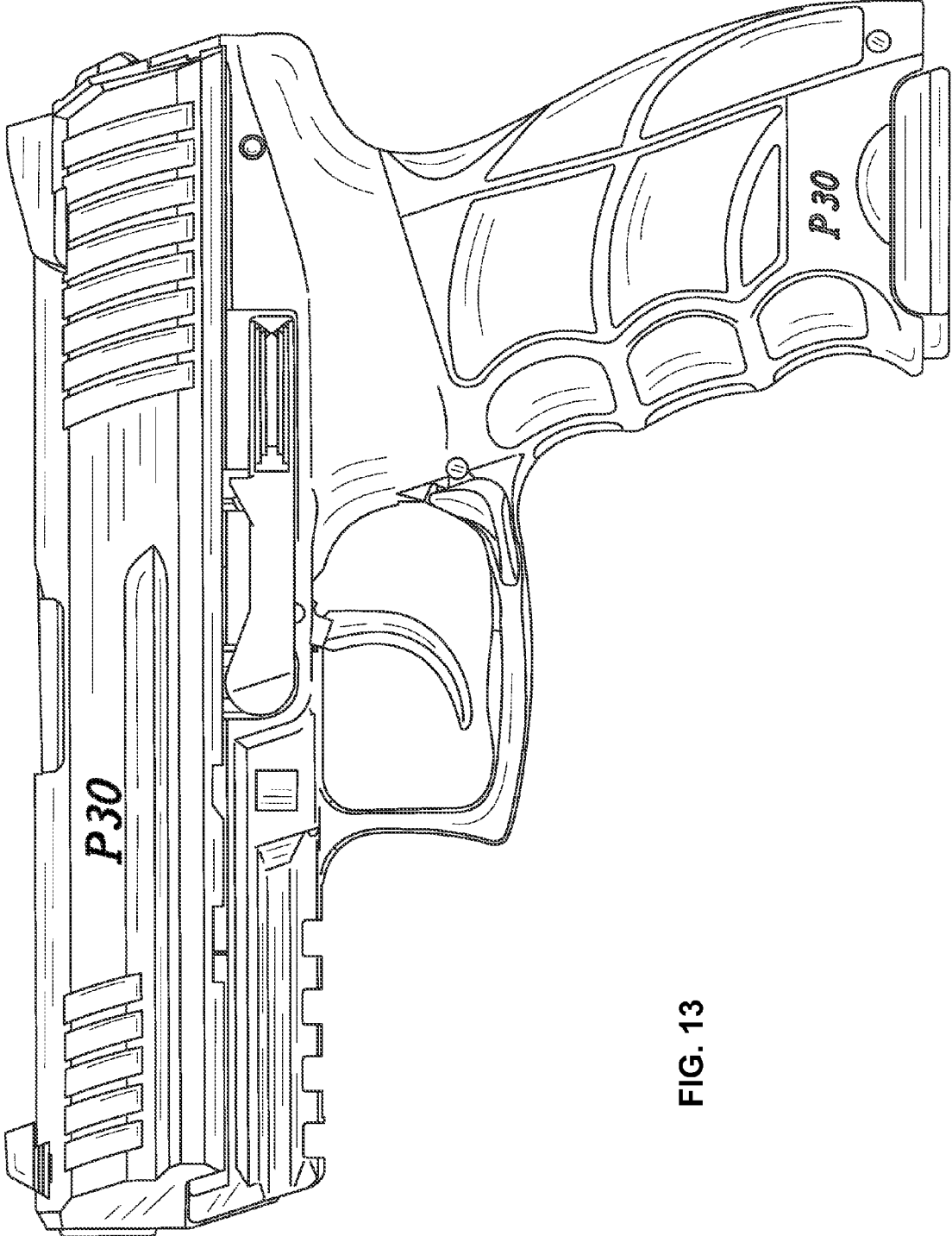


FIG. 13

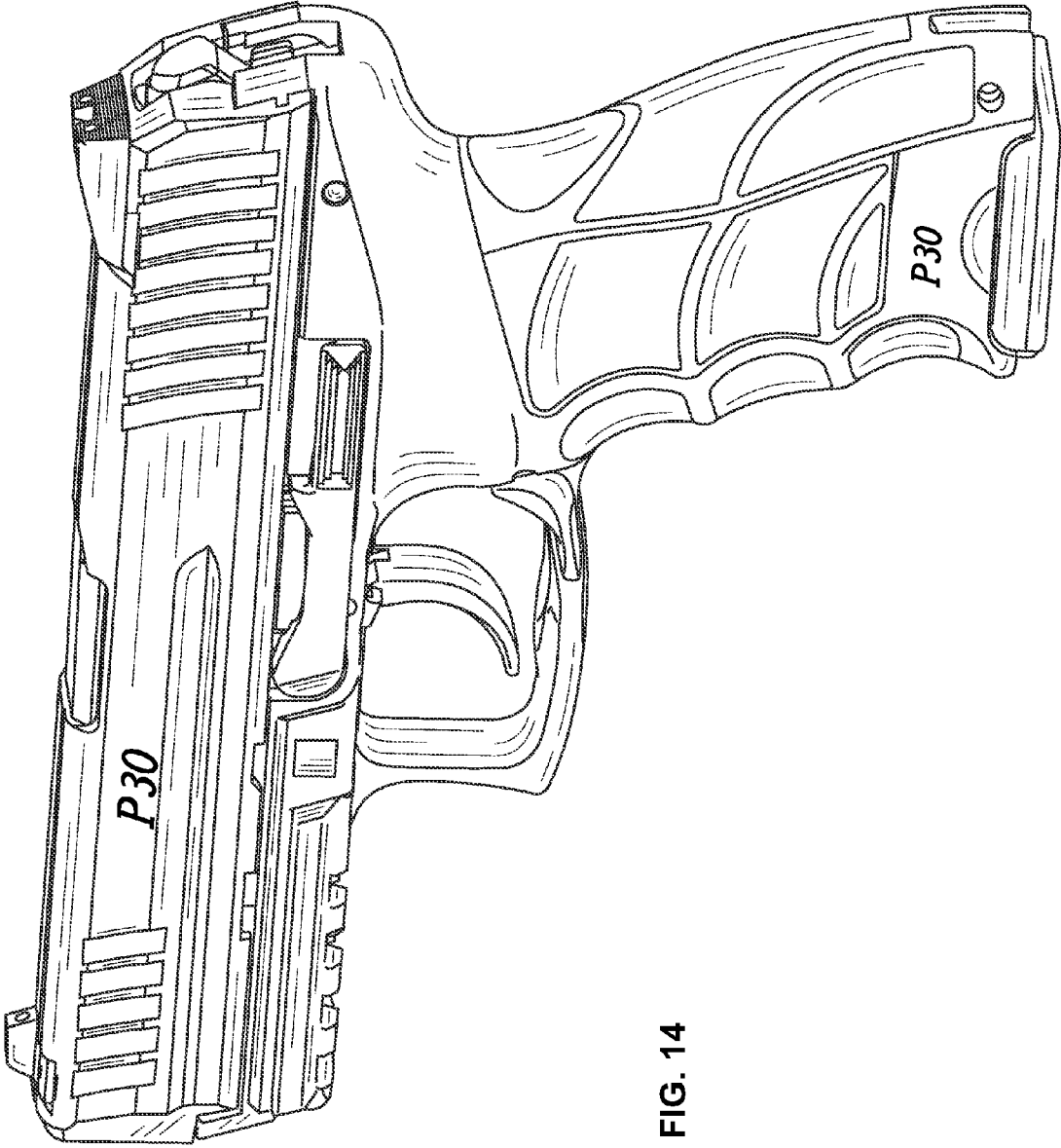


FIG. 14



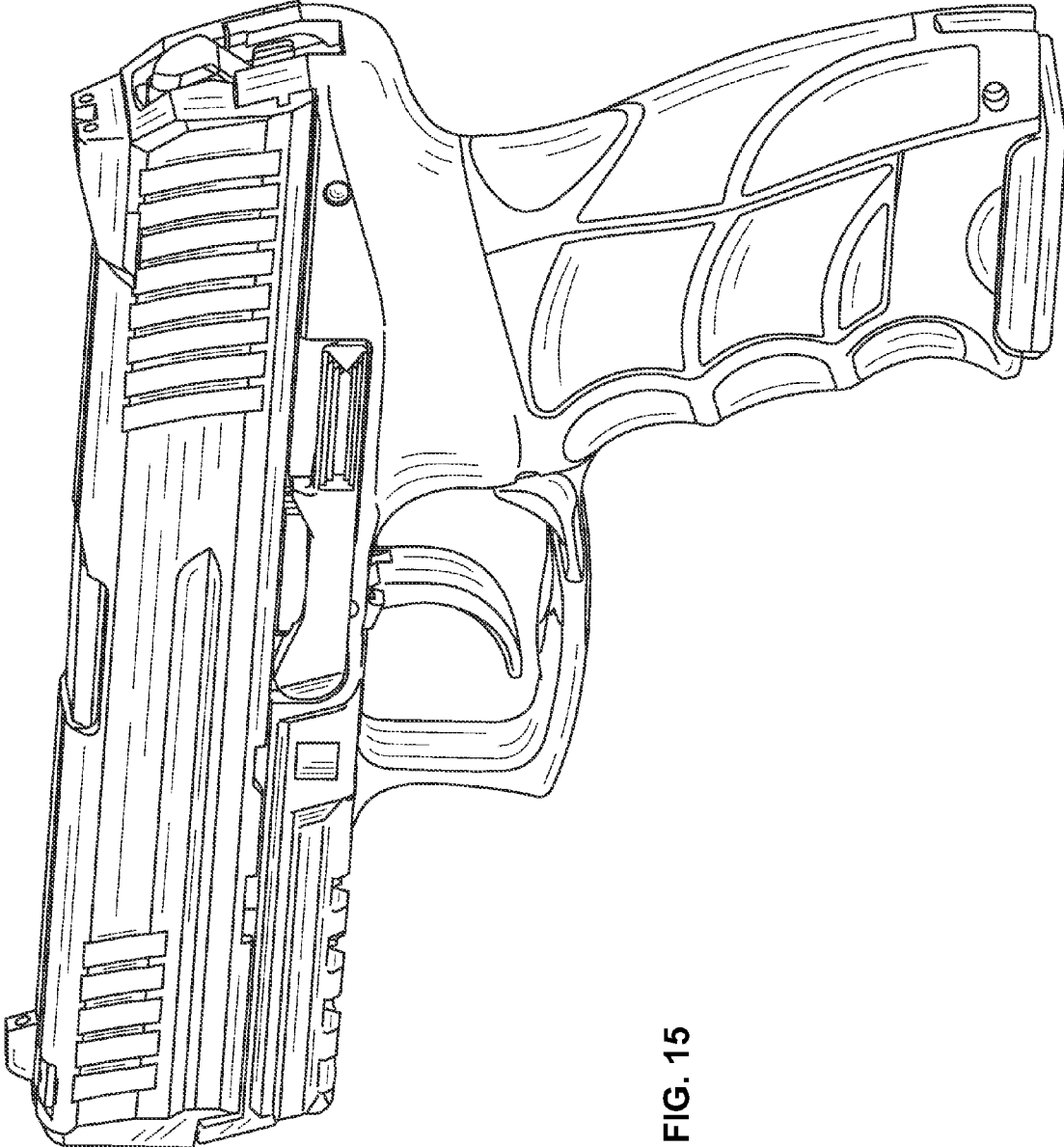


FIG. 15

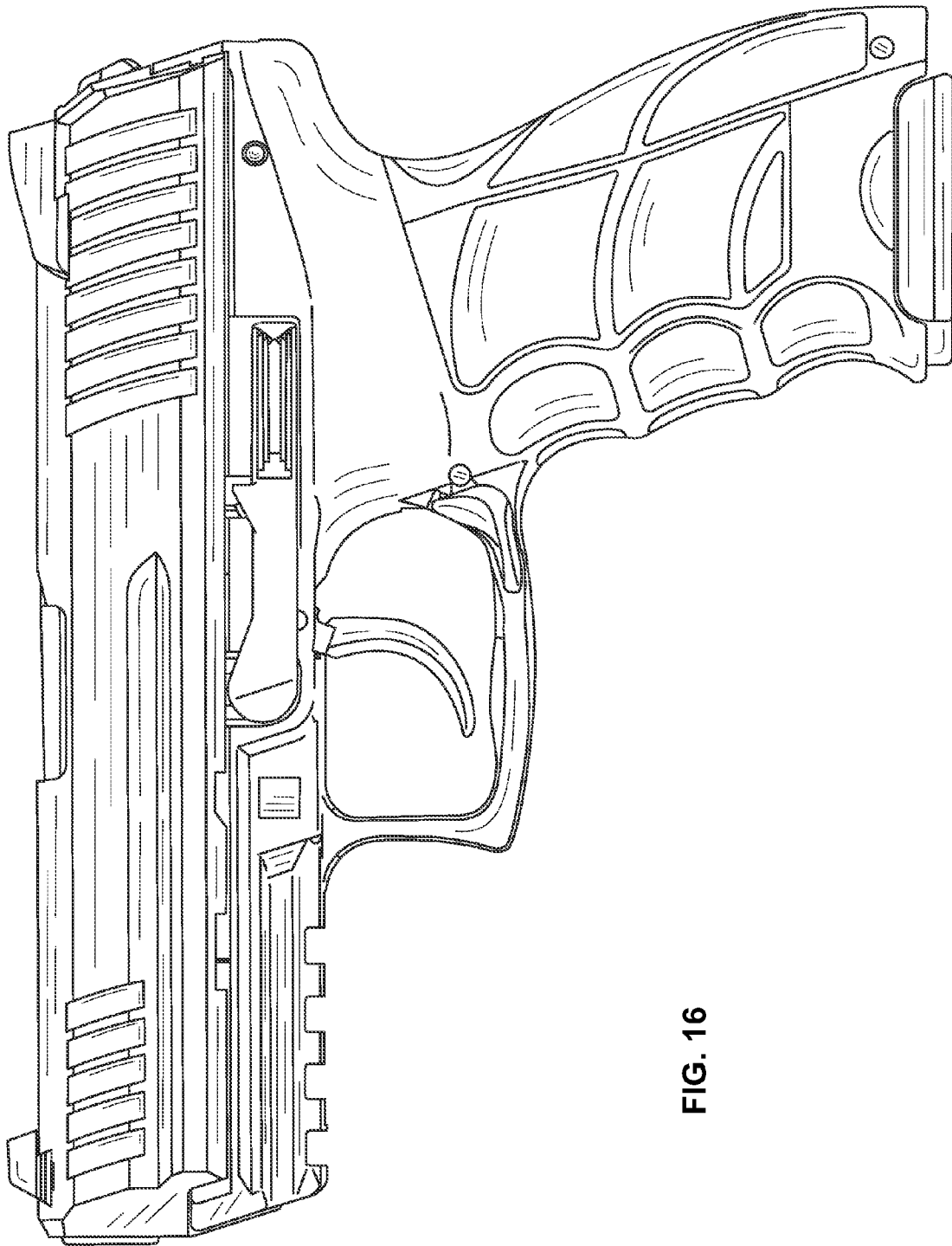


FIG. 16

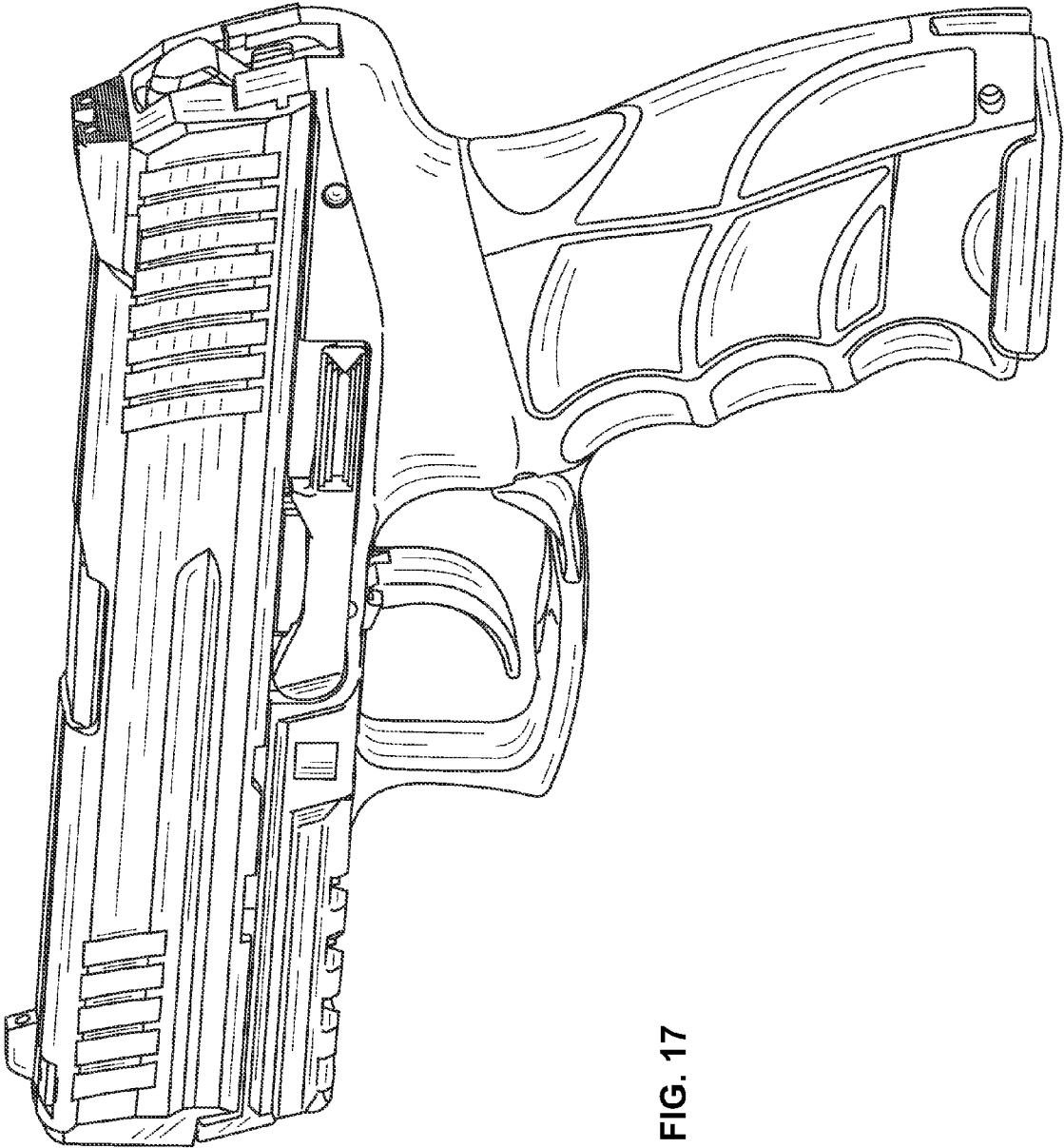


FIG. 17