



US0D1044432S

(12) **United States Design Patent**
Binyamin

(10) **Patent No.:** **US D1,044,432 S**

(45) **Date of Patent:** **** Oct. 1, 2024**

(54) **DOUBLE SKEWER**

(71) Applicant: **Assaf Binyamin**, Modi'in Maccabim Reut (IL)

(72) Inventor: **Assaf Binyamin**, Modi'in Maccabim Reut (IL)

(**) Term: **15 Years**

(21) Appl. No.: **29/846,060**

(22) Filed: **Jul. 13, 2022**

(51) **LOC (14) Cl.** **07-06**

(52) **U.S. Cl.**
USPC **D7/683**

(58) **Field of Classification Search**
USPC D7/368, 669, 680–696; D21/793
CPC .. A47J 43/18; A47J 43/00; A47J 43/28; A47J 43/283; A47J 37/04; A47J 37/049; A47J 37/0786; A22C 17/02; A22C 17/006; A22C 17/00; A47G 21/023; A47G 21/02
See application file for complete search history.

(56) **References Cited**

U.S. PATENT DOCUMENTS

D169,412 S *	4/1953	Bordelon	D8/DIG. 3
3,078,787 A *	2/1963	Arseneault	A47J 43/283 99/419
D345,776 S *	4/1994	Williams	D10/64
D356,358 S *	3/1995	Woodruff	D21/793
D411,084 S *	6/1999	Roychowdhury	D7/684
D442,249 S *	5/2001	Fazekas	D21/793
D539,619 S *	4/2007	Oura	D7/653
D592,916 S *	5/2009	Mazzetta	D7/683

FOREIGN PATENT DOCUMENTS

DE 29507691 U1 * 8/1995

OTHER PUBLICATIONS

Amazon.com, Heruki Store, Double Skewers 2 Stainless Steel for BBQ Grilling Kabob, Shawarma Meat, Fish and Chicken. ASIN: B09KVBVFX, date first available Jan. 31, 2022 (Year: 2022).*

* cited by examiner

Primary Examiner — Terry A Wallace
(74) *Attorney, Agent, or Firm* — Cabilly & Co.

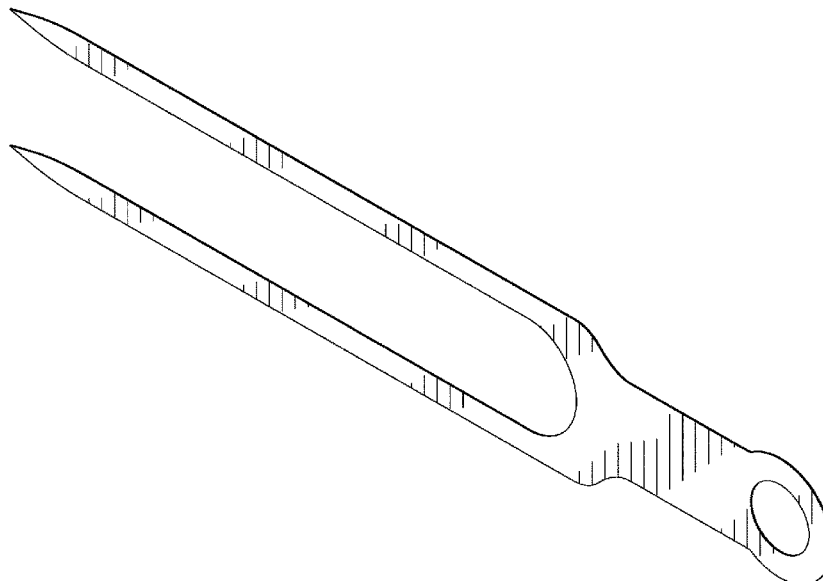
(57) **CLAIM**

The ornamental design for double skewer, as shown and described.

DESCRIPTION

FIG. 1 is a first perspective view of a double skewer showing my new design.
FIG. 2A is a top plan view of the double skewer shown in FIG. 1;
FIG. 2B is an enlarged view of the double skewer shown in FIG. 2A;
FIG. 3A is a bottom plan view of the double skewer shown in FIG. 1;
FIG. 3B is an enlarged view of the double skewer shown in FIG. 3A;
FIG. 4A is a first side elevation view of the double skewer shown in FIG. 1;
FIG. 4B is an enlarged view of the double skewer shown in FIG. 4A;
FIG. 5A is a second side elevation view of the double skewer shown in FIG. 1;
FIG. 5B is an enlarged view of the double skewer shown in FIG. 5A;
FIG. 6 is a front elevational view of the double skewer shown in FIG. 1; and,
FIG. 7 is a back elevational view of the double skewer shown in FIG. 1.

1 Claim, 4 Drawing Sheets



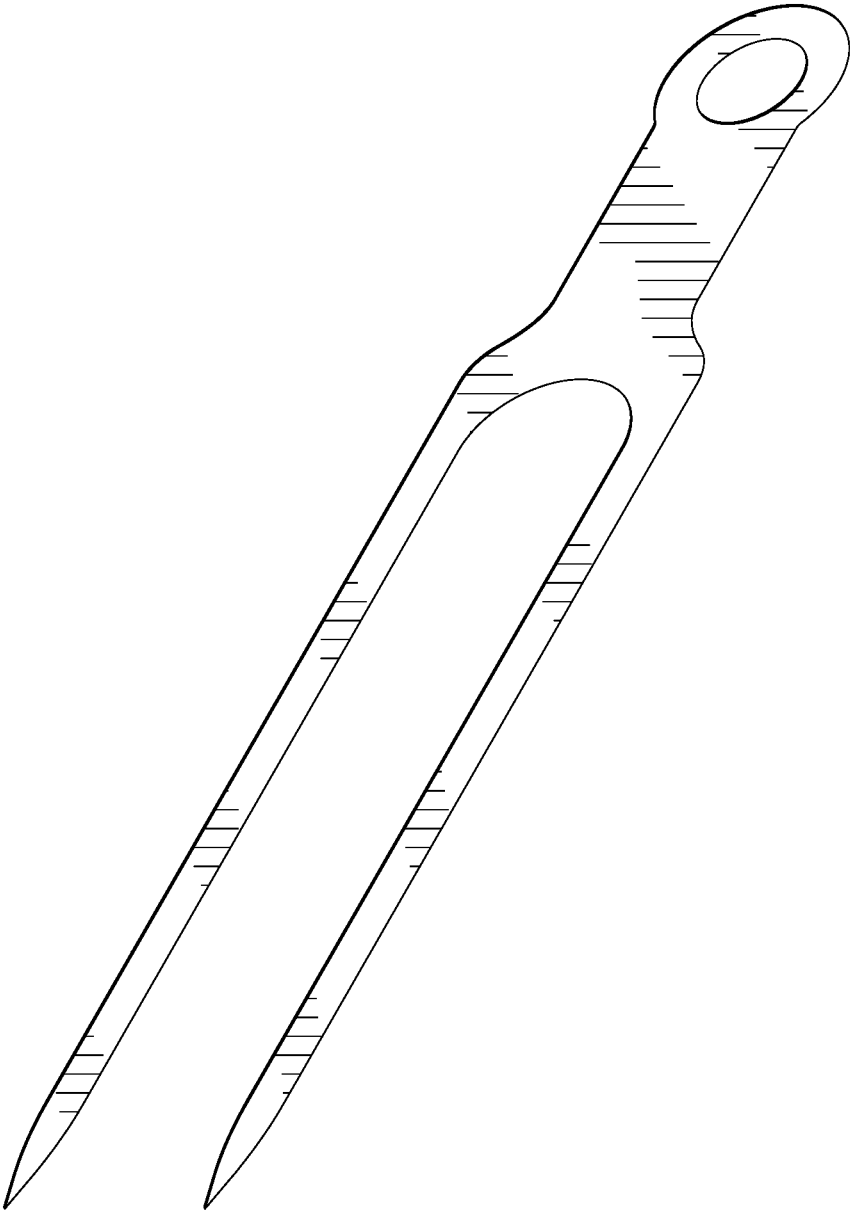


FIG.1



FIG. 3B



FIG. 3A



FIG. 2B



FIG. 2A



FIG. 4A



FIG. 4B



FIG. 5A



FIG. 5B

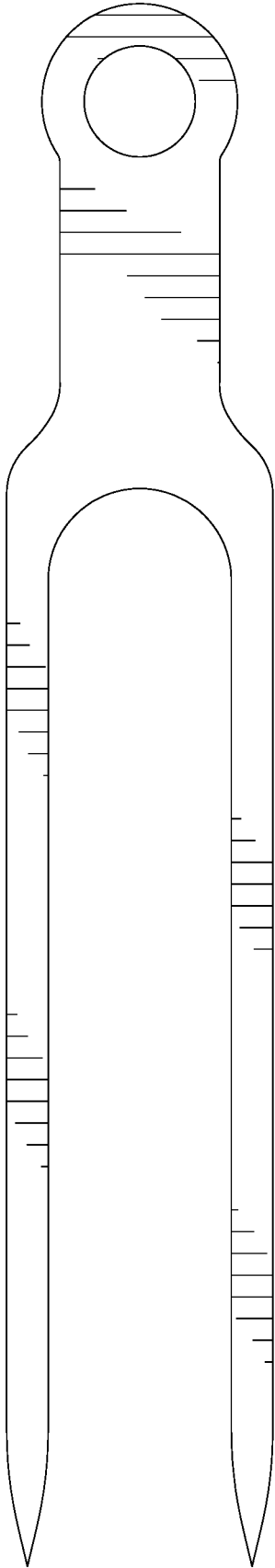


FIG. 6

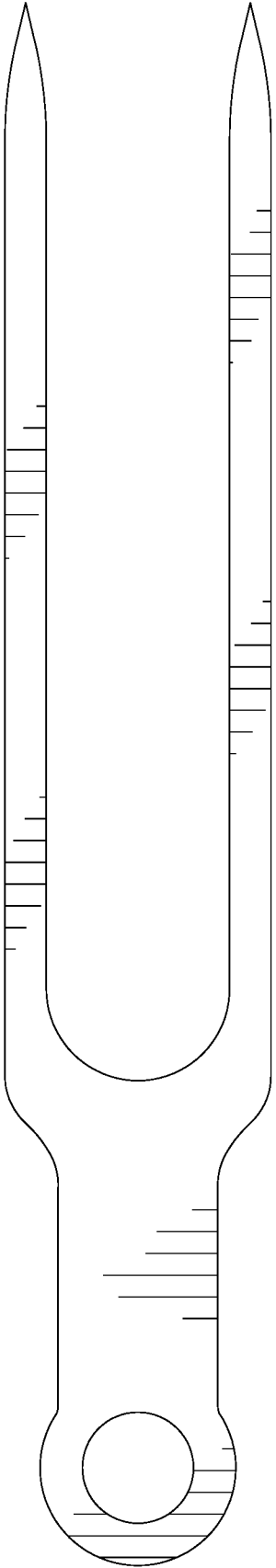


FIG. 7