

(19) World Intellectual Property Organization
International Bureau



(43) International Publication Date
27 July 2006 (27.07.2006)

PCT

(10) International Publication Number
WO 2006/078462 A3

(51) International Patent Classification:
H01L 33/00 (2006.01)

(74) Agent: MYERS BIGEL SIBLEY & SAJOVEC, P.A.;
P.o. Box 37428, Raleigh, North Carolina 27627 (US).

(21) International Application Number:
PCT/US2006/000335

(81) Designated States (unless otherwise indicated, for every kind of national protection available): AE, AG, AL, AM, AT, AU, AZ, BA, BB, BG, BR, BW, BY, BZ, CA, CH, CN, CO, CR, CU, CZ, DE, DK, DM, DZ, EC, EE, EG, ES, FI, GB, GD, GE, GH, GM, HR, HU, ID, IL, IN, IS, JP, KE, KG, KM, KN, KP, KR, KZ, LC, LK, LR, LS, LT, LU, LV, LY, MA, MD, MG, MK, MN, MW, MX, MZ, NA, NG, NI, NO, NZ, OM, PG, PH, PL, PT, RO, RU, SC, SD, SE, SG, SK, SL, SM, SY, TJ, TM, TN, TR, TT, TZ, UA, UG, US, UZ, VC, VN, YU, ZA, ZM, ZW.

(22) International Filing Date: 6 January 2006 (06.01.2006)

(25) Filing Language: English

(26) Publication Language: English

(30) Priority Data:
11/035,716 14 January 2005 (14.01.2005) US

(71) Applicant (for all designated States except US): CREE, INC. [US/US]; 4600 Silicon Drive, Durham, North Carolina 27703 (US).

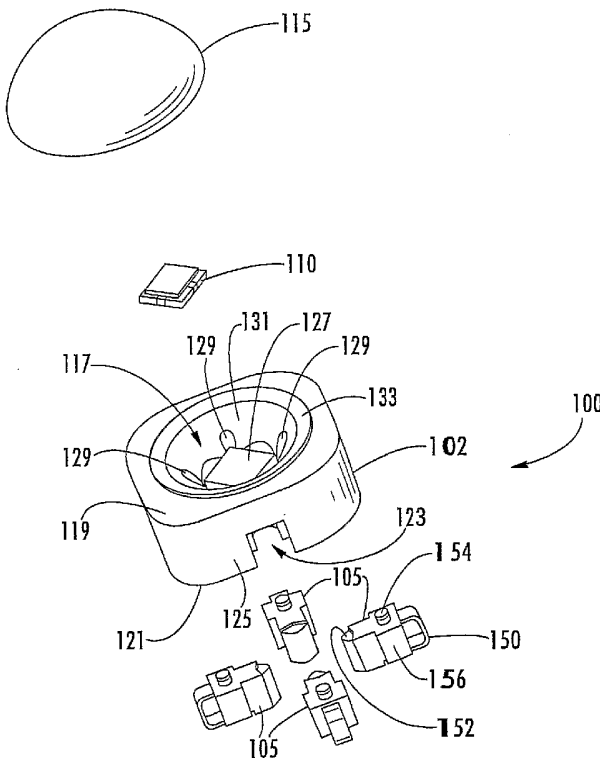
(72) Inventors; and

(75) Inventors/Applicants (for US only): LOH, Ban, P. [US/US]; 8 Trescott Drive, Durham, North Carolina 27703 (US). NEGLEY, Gerald, H. [US/US]; 306 N. Estes Drive, Estes Park, Apt. I-14, Carrboro, North Carolina 27703 (US). FU, Yankun [CN/US]; 667 Camino Campana, Santa Barbara, California 93111 (US).

(84) Designated States (unless otherwise indicated, for every kind of regional protection available): ARIPO (BW, GH, GM, KE, LS, MW, MZ, NA, SD, SL, SZ, TZ, UG, ZM, ZW), Eurasian (AM, AZ, BY, KG, KZ, MD, RU, TJ, TM), European (AT, BE, BG, CH, CY, CZ, DE, DK, EE, ES, FI, FR, GB, GR, HU, IE, IS, IT, LT, LU, LV, MC, NL, PL, PT, RO, SE, SI, SK, TR), OAPI (BF, BJ, CF, CG, CI, CM, GA, GN, GQ, GW, ML, MR, NE, SN, TD, TG).

[Continued on next page]

(54) Title: SEMICONDUCTOR LIGHT EMITTING DEVICE MOUNTING SUBSTRATES INCLUDING A CONDUCTIVE LEAD EXTENDING THEREIN AND METHODS OF PACKAGING SAME



(57) Abstract: A mounting substrate for a semiconductor light emitting device includes a thermally conductive mounting block. The mounting block has, in a first face thereof, a cavity that is configured to mount a semiconductor light emitting device therein and to reflect light that is emitted by the semiconductor light emitting device that is mounted therein away from the cavity. A conductive lead inserted into the mounting block extends into the cavity. The conductive lead is electrically isolated from the mounting block and has an exposed contact portion in the cavity. The conductive lead may be a plurality of conductive leads each having an exposed contact portion at different locations in the cavity. Related packaging methods also may be provided.

WO 2006/078462 A3



Published:

- *with international search report*
- *before the expiration of the time limit for amending the claims and to be republished in the event of receipt of amendments*

For two-letter codes and other abbreviations, refer to the "Guidance Notes on Codes and Abbreviations" appearing at the beginning of each regular issue of the PCT Gazette.

(88) Date of publication of the international search report:

14 September 2006

INTERNATIONAL SEARCH REPORT

International application No
PCT/US2006/000335

A. CLASSIFICATION OF SUBJECT MATTER INV. H01L33/00		
According to International Patent Classification (IPC) or to both national classification and IPC		
B. FIELDS SEARCHED		
Minimum documentation searched (classification system followed by classification symbols) H01L		
Documentation searched other than minimum documentation to the extent that such documents are included in the fields searched		
Electronic data base consulted during the international search (name of data base and, where practical, search terms used) EPO-Internal, PAJ		
C. DOCUMENTS CONSIDERED TO BE RELEVANT		
Category*	Citation of document, with indication, where appropriate, of the relevant passages	Relevant to claim No.
X	US 2004/079957 A1 (ANDREWS PETER SCOTT ET AL) 29 April 2004 (2004-04-29) page 2, paragraph 39 - page 4, paragraph 57; figures 1a,1b,3,5	1-61
X	US 2002/158320 A1 (TAKEKUMA AKIRA) 31 October 2002 (2002-10-31) page 3, paragraph 43 - page 4, paragraph 54; figures 3a-3c,5a-6b	1-56 57-61
A		
X	EP 1 385 217 A (MATSUSHITA ELECTRIC WORKS, LTD) 28 January 2004 (2004-01-28) page 7, paragraph 44 - page 9, paragraph 57; figures 1-6,9b	1-56 57-61
A		
	----- -/--	
<input checked="" type="checkbox"/> Further documents are listed in the continuation of Box C. <input checked="" type="checkbox"/> See patent family annex.		
* Special categories of cited documents :		
A document defining the general state of the art which is not considered to be of particular relevance *E* earlier document but published on or after the international filing date *L* document which may throw doubts on priority claim(s) or which is cited to establish the publication date of another citation or other special reason (as specified) *O* document referring to an oral disclosure, use, exhibition or other means *P* document published prior to the international filing date but later than the priority date claimed		*T* later document published after the international filing date or priority date and not in conflict with the application but cited to understand the principle or theory underlying the invention *X* document of particular relevance; the claimed invention cannot be considered novel or cannot be considered to involve an inventive step when the document is taken alone *Y* document of particular relevance; the claimed invention cannot be considered to involve an inventive step when the document is combined with one or more other such documents, such combination being obvious to a person skilled in the art. *&* document member of the same patent family
Date of the actual completion of the international search 7 July 2006		Date of mailing of the international search report 17/07/2006
Name and mailing address of the ISA/ European Patent Office, P.B. 5818 Patentlaan 2 NL - 2280 HV Rijswijk Tel. (+31-70) 340-2040, Tx. 31 651 epo nl, Fax: (+31-70) 340-3016		Authorized officer Hedouin, M

INTERNATIONAL SEARCH REPORT

International application No
PCT/US2006/000335

C(Continuation). DOCUMENTS CONSIDERED TO BE RELEVANT

Category*	Citation of document, with indication, where appropriate, of the relevant passages	Relevant to claim No.
A	DE 101 22 002 A1 (OSRAM OPTO SEMICONDUCTORS GMBH & CO. OHG) 21 November 2002 (2002-11-21) column 4, paragraph 35 - column 5, paragraph 46; figures 2,3 -----	1-61

INTERNATIONAL SEARCH REPORT

Information on patent family members

International application No

PCT/US2006/000335

Patent document cited in search report	Publication date	Patent family member(s)	Publication date
US 2004079957	A1	29-04-2004	
		AU 2003276860 A1	29-03-2004
		CA 2496937 A1	18-03-2004
		CN 1679168 A	05-10-2005
		EP 1537603 A2	08-06-2005
		JP 2005538550 T	15-12-2005
		WO 2004023522 A2	18-03-2004
		US 2004041222 A1	04-03-2004

US 2002158320	A1	31-10-2002	
		DE 10205698 A1	31-10-2002
		JP 2002246650 A	30-08-2002

EP 1385217	A	28-01-2004	
		CN 1471178 A	28-01-2004

DE 10122002	A1	21-11-2002	
		WO 02091478 A2	14-11-2002
