



US00D744663S

(12) **United States Design Patent**
Holland

(10) **Patent No.:** **US D744,663 S**

(45) **Date of Patent:** **** Dec. 1, 2015**

- (54) **MESSAGE STICK**
- (71) Applicant: **Pro Performance Sports LLC**,
Carlsbad, CA (US)
- (72) Inventor: **Allen Holland**, Sheffield (GB)
- (73) Assignee: **Pro Performance Sports, L.L.C.**,
Carlsbad, CA (US)
- (**) Term: **14 Years**
- (21) Appl. No.: **29/482,082**
- (22) Filed: **Feb. 13, 2014**
- (51) **LOC (10) Cl.** **28-03**
- (52) **U.S. Cl.**
USPC **D24/211**
- (58) **Field of Classification Search**
USPC D24/200, 211, 212, 213, 214, 215;
601/19, 27-32, 46, 49, 52, DIG. 12,
601/DIG. 15, DIG. 16, DIG. 17, 48
CPC A61H 2201/0153; A61H 2201/0207;
A61H 2201/0263; A61H 2201/0111; A61H
2201/1253; A61H 2205/082; A61H 2205/085;
A61H 15/0085; A61H 19/00; A61H 19/30;
A61H 19/32; A61H 19/40; A61H 19/44;
A61H 19/50
See application file for complete search history.

(56) **References Cited**

U.S. PATENT DOCUMENTS

- D269,375 S * 6/1983 Masuda D24/211
- D271,051 S * 10/1983 McCoy et al. D24/211

- 4,433,683 A * 2/1984 McCoy et al. 601/120
- 4,648,387 A * 3/1987 Simmons 601/120
- D347,898 S * 6/1994 Belcher D24/211
- 5,577,996 A * 11/1996 Gardner et al. 601/120
- D381,754 S * 7/1997 Fani D24/200
- 5,709,705 A * 1/1998 Belcher 606/204.35
- D398,400 S * 9/1998 Havelind D24/211
- D445,905 S * 7/2001 Hey D24/211
- 6,764,454 B2 * 7/2004 Tu 601/15
- 6,878,124 B1 * 4/2005 Crowe 601/122
- D650,487 S * 12/2011 Briscoe D24/211
- D704,852 S * 5/2014 Yang D24/211
- 2008/0103421 A1 * 5/2008 Nicholson 601/120

* cited by examiner

Primary Examiner — Sandra Snapp

(74) *Attorney, Agent, or Firm* — Squire Patton Boggs (US) LLP

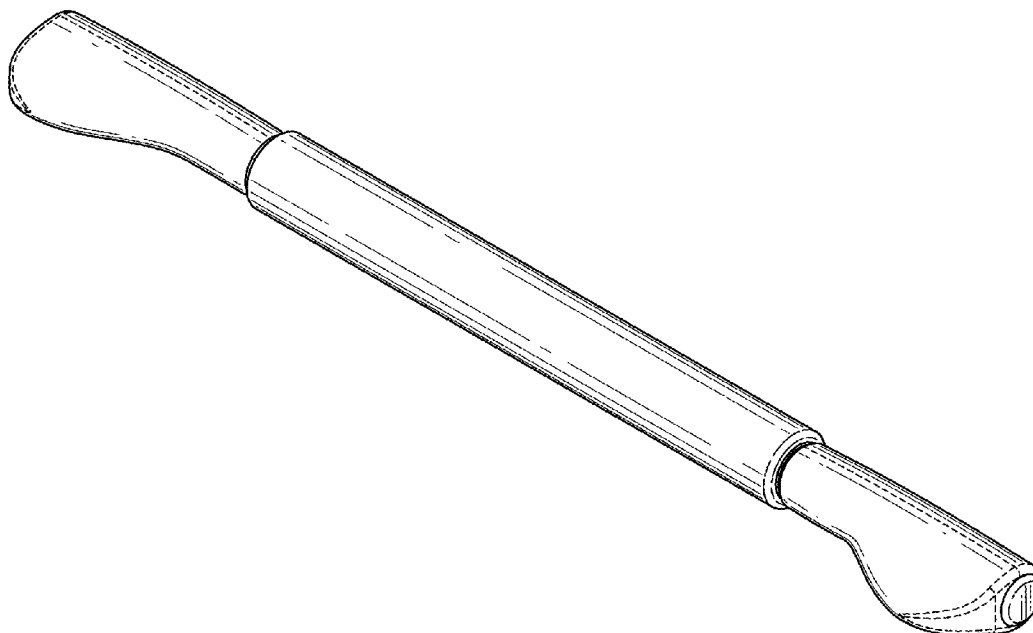
(57) **CLAIM**

The ornamental design for a massage stick, as shown and described.

DESCRIPTION

FIG. 1 is a top plan view of my new design.
 FIG. 2 is a front view.
 FIG. 3 is a back view.
 FIG. 4 is a left side view. The right side view is a mirror image of the left side view.
 FIG. 5 is a perspective view; and,
 FIG. 6 is a bottom view.
 The massage stick is symmetrical about its lateral centerline and the handles on either end are the same. The back, top and bottom of the handle are smooth surfaces and the roller between the handles is cylindrical.

1 Claim, 6 Drawing Sheets



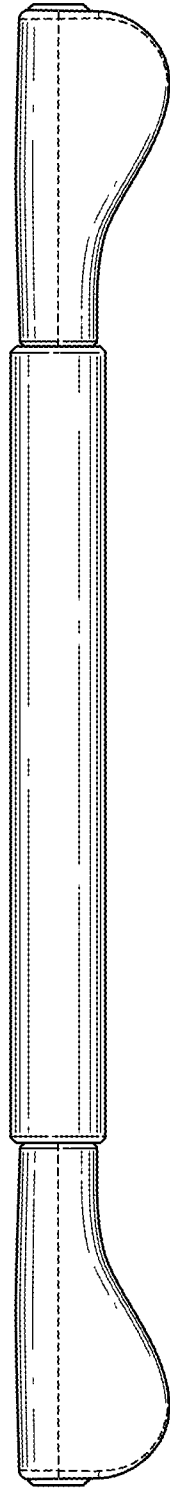


FIG. 1

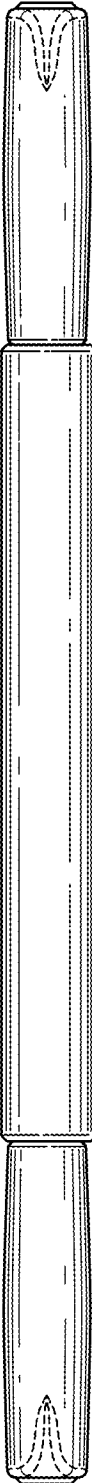


FIG. 2

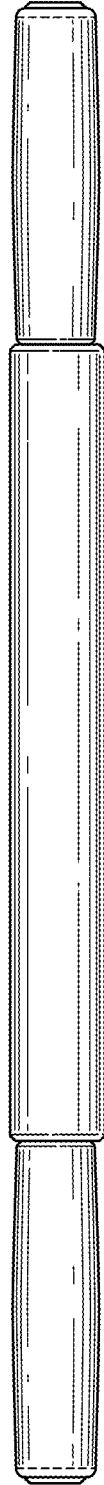


FIG. 3

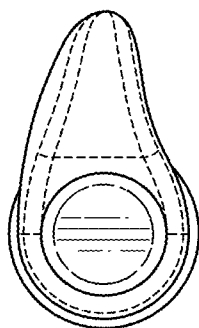


FIG. 4

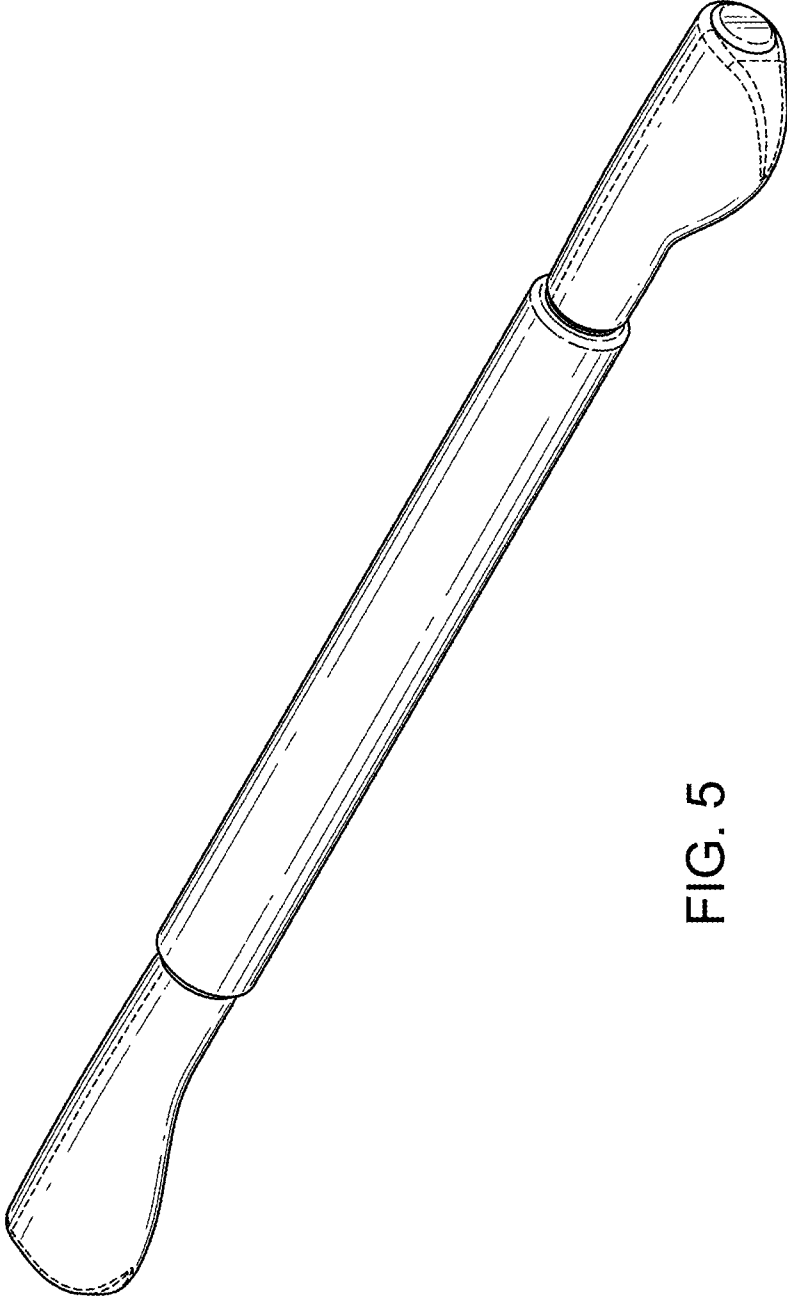


FIG. 5

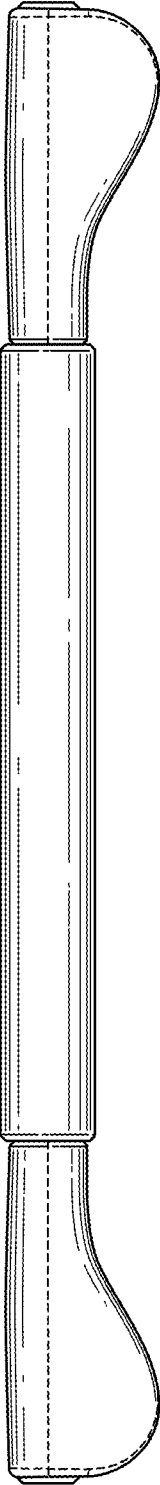


FIG. 6