



US00D659015S

(12) **United States Design Patent**
Peng

(10) **Patent No.:** **US D659,015 S**

(45) **Date of Patent:** **** May 8, 2012**

(54) **FUEL LINE ASSEMBLY PACKAGE**

(76) Inventor: **I-Sin Peng**, Taichung (TW)

(**) Term: **14 Years**

(21) Appl. No.: **29/388,008**

(22) Filed: **Mar. 23, 2011**

(51) **LOC (9) Cl.** **09-03**

(52) **U.S. Cl.** **D9/715**

(58) **Field of Classification Search** D9/430-434,
D9/414, 415, 418, 715, 721; 229/100, 103.2,
229/103.3, 110-116, 169; 220/62, 62.1,
220/890; 137/355.12, 355.19; 206/216,
206/218, 223, 527, 701, 702, 736; 40/312;
242/400.1; 248/75; 138/118; 392/472; 417/181
See application file for complete search history.

(56) **References Cited**

U.S. PATENT DOCUMENTS

D440,043	S	*	4/2001	Miller et al.	D3/282
D441,286	S	*	5/2001	Clarke	D9/415
D473,787	S	*	4/2003	Jones et al.	D9/415
D481,628	S	*	11/2003	Milan	D9/415
D483,180	S	*	12/2003	Chen	D3/282
D485,752	S	*	1/2004	Milan	D9/415
D501,137	S	*	1/2005	Fritz et al.	D9/415
D513,976	S	*	1/2006	Milan	D9/415

D576,030	S	*	9/2008	Lee et al.	D9/415
D577,577	S	*	9/2008	Lee et al.	D9/415
D605,516	S	*	12/2009	Yang	D9/455
D617,987	S	*	6/2010	Wang	D3/294

* cited by examiner

Primary Examiner — Thomas Johannes

(74) *Attorney, Agent, or Firm* — Jackson IPG PLLC;
Demian K. Jackson

(57) **CLAIM**

The ornamental design for a fuel line assembly package, as shown and described.

DESCRIPTION

FIG. 1 is a rear elevation view of a fuel line assembly package showing my new design without the claimed portion of tubing for clarity of detail;

FIG. 2 is a front elevation view thereof;

FIG. 3 is a left side view thereof;

FIG. 4 is a right side view thereof;

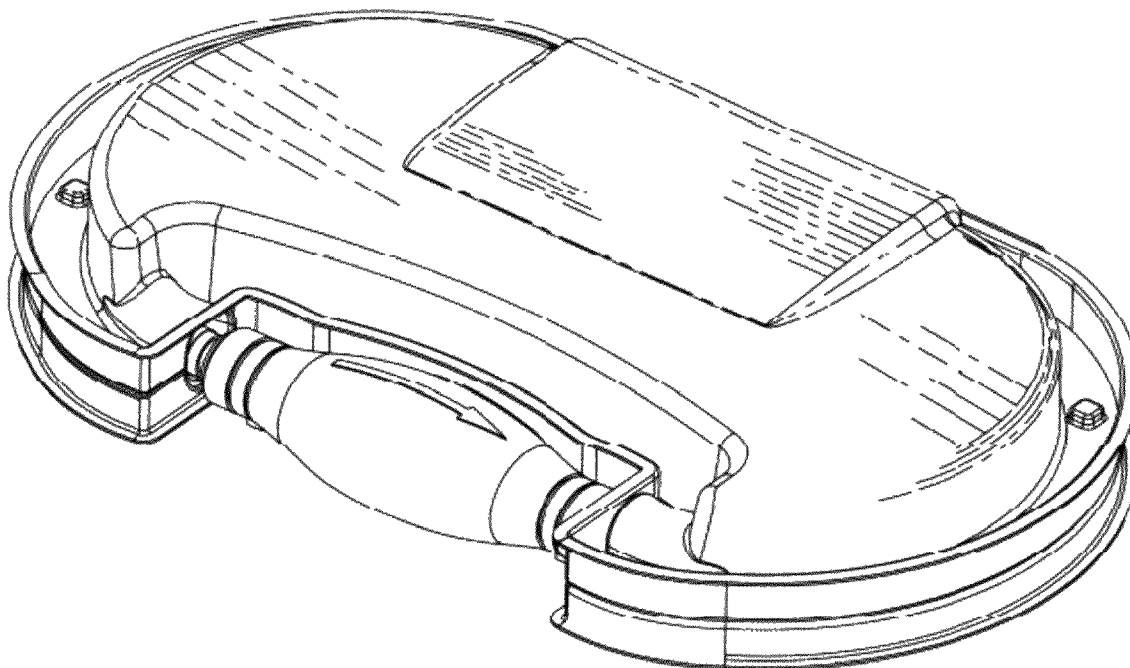
FIG. 5 is a top plan view thereof;

FIG. 6 is a bottom plan view thereof;

FIG. 7 is a perspective view thereof; and,

FIG. 8 is a perspective view thereof showing the claimed portion of tubing therewith.

1 Claim, 5 Drawing Sheets



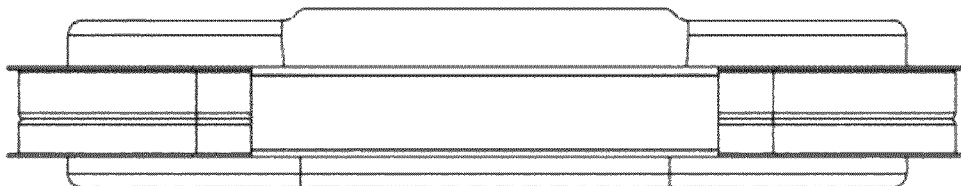


Fig. 1

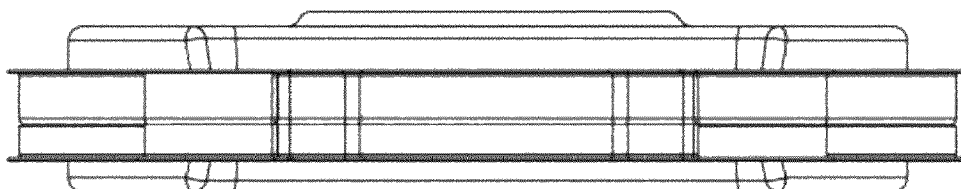


Fig. 2

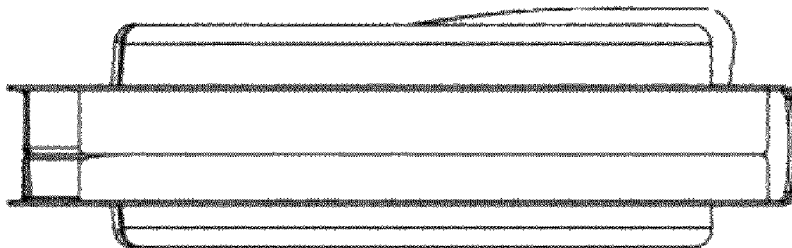


Fig. 3

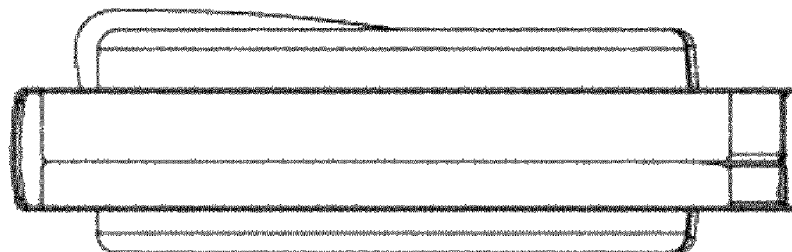


Fig. 4

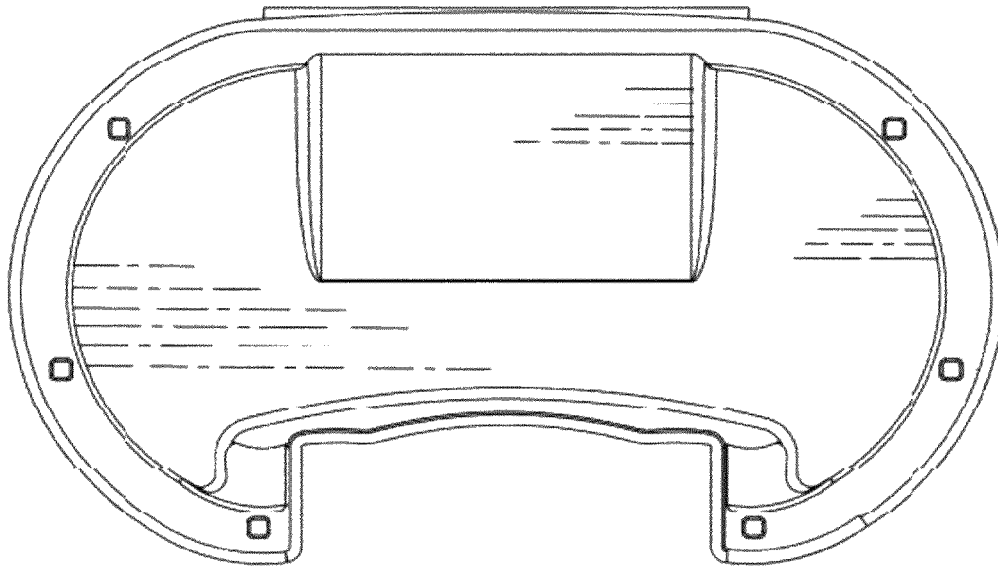


Fig. 5

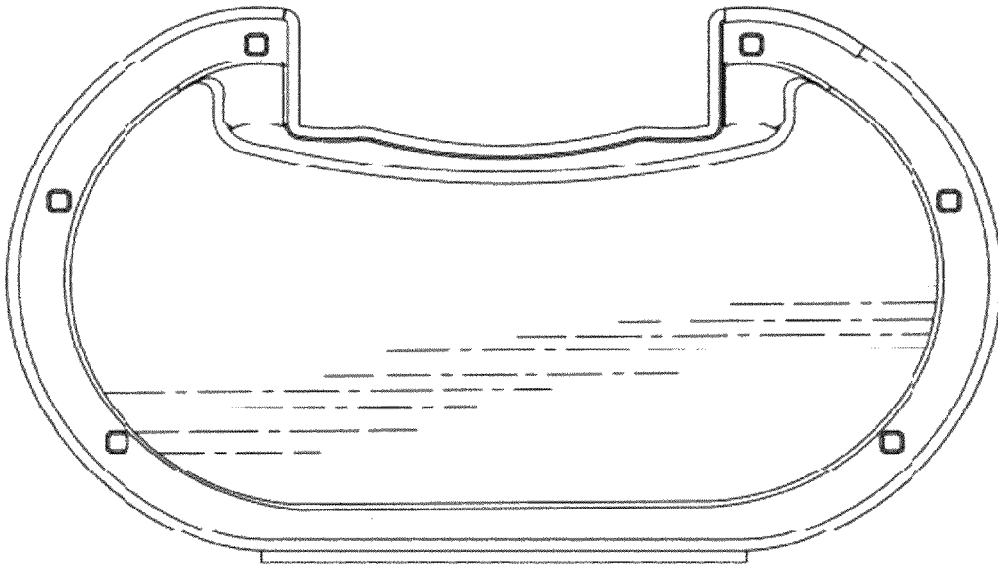


Fig. 6

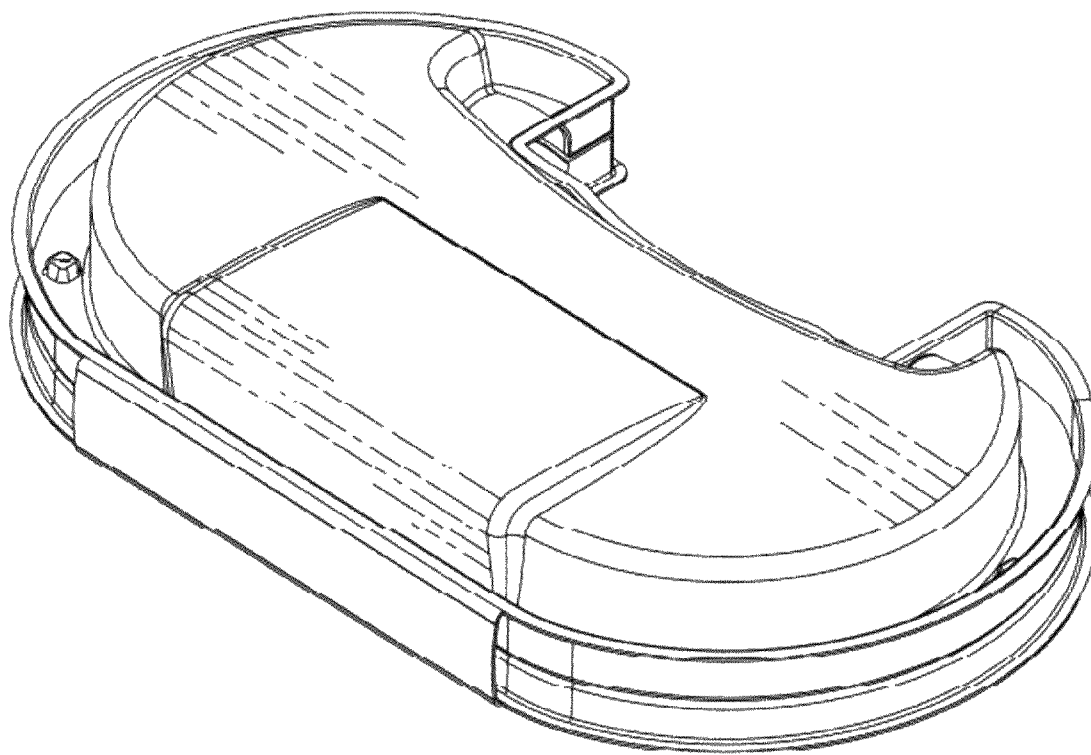


Fig. 7

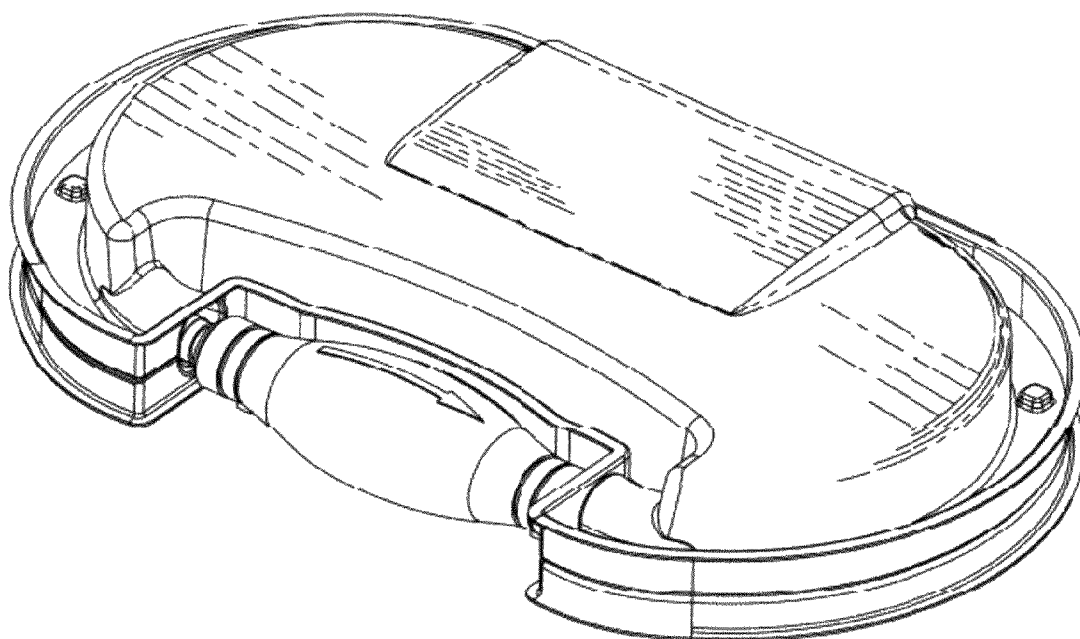


Fig. 8