



US00D427975S

United States Patent [19]

[11] Patent Number: **Des. 427,975**

Zhu et al.

[45] Date of Patent: **** Jul. 11, 2000**

[54] ELECTRICAL CONNECTOR

D. 399,489	10/1998	Nishio et al.	D13/147
D. 409,570	5/1999	Wu	D13/147
5,938,473	8/1999	Nishio et al.	439/607 X
6,007,382	12/1999	Wu	439/607

[75] Inventors: **Zi Qiang Zhu; Jian-Qiang Zhang,**
both of Kun-San, China

[73] Assignee: **Hon Hai Precision Ind. Co., Ltd.,**
Taipei Hsien, Taiwan

Primary Examiner—Joel Sincavage
Attorney, Agent, or Firm—Wei Te Chung

[**] Term: **14 Years**

[57] CLAIM

The ornamental design for an electrical connector, as shown.

[21] Appl. No.: **29/112,634**

DESCRIPTION

[22] Filed: **Oct. 20, 1999**

[51] LOC (7) Cl. **13-03**

[52] U.S. Cl. **D13/147**

[58] Field of Search D13/146, 147;
439/76.1, 79, 83, 607-610

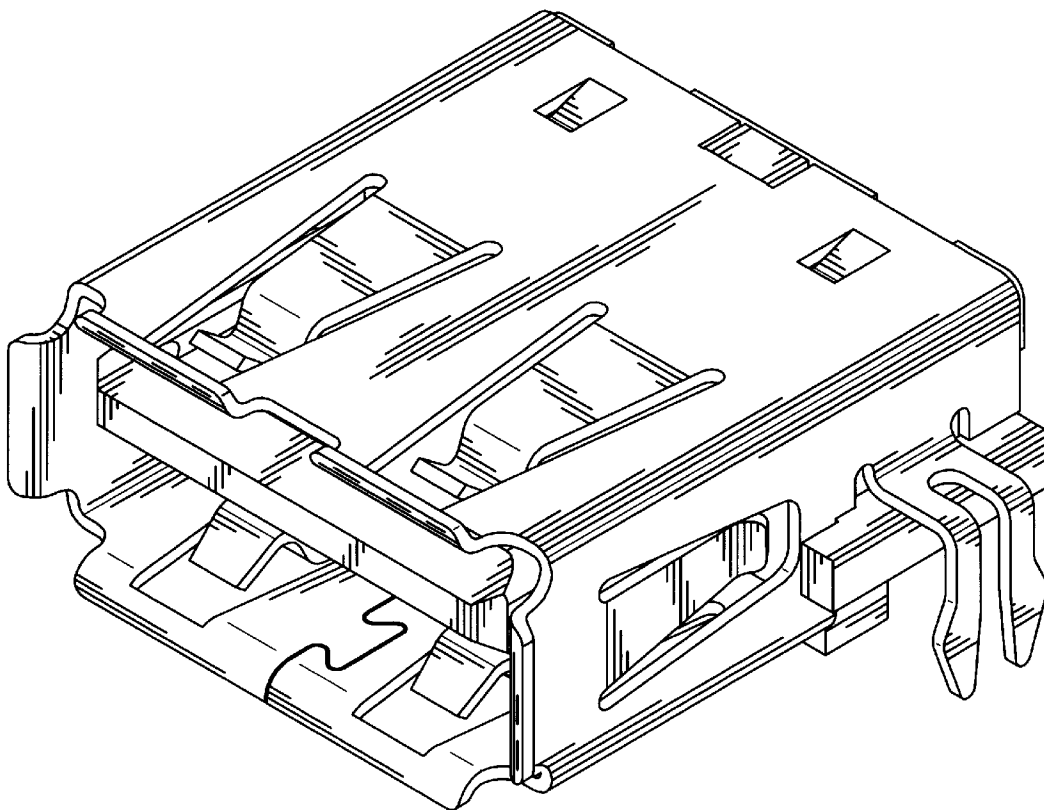
FIG. 1 is a front, top and right side perspective view of an electrical connector showing our new design; FIG. 2 is a front elevational view thereof; FIG. 3 is a rear elevational view thereof; FIG. 4 is a left side elevational view thereof; FIG. 5 is a right side elevational view thereof; FIG. 6 is a top plan view thereof; and, FIG. 7 is a bottom plan view thereof.

[56] References Cited

U.S. PATENT DOCUMENTS

D. 344,492 2/1994 Nakamura D13/147

1 Claim, 7 Drawing Sheets



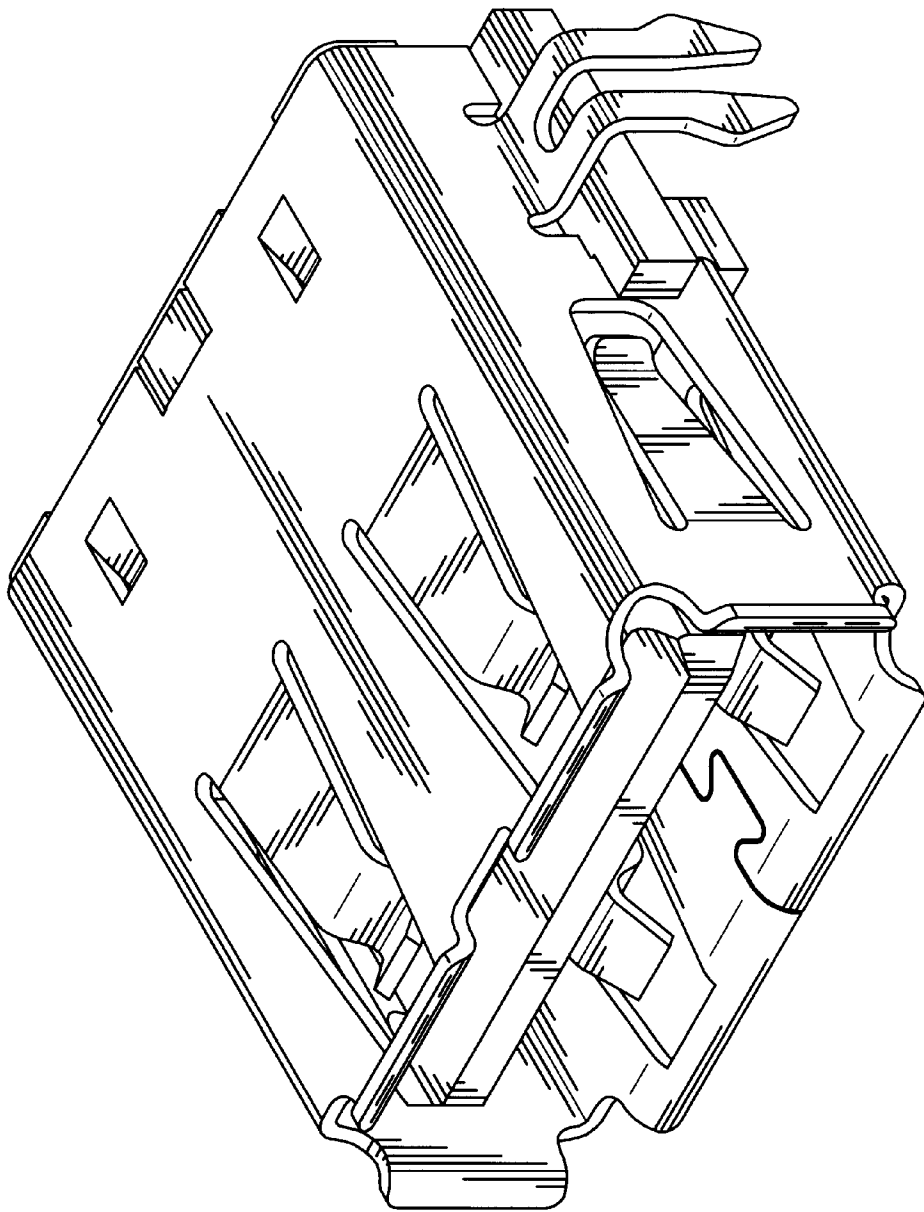


FIG. 1

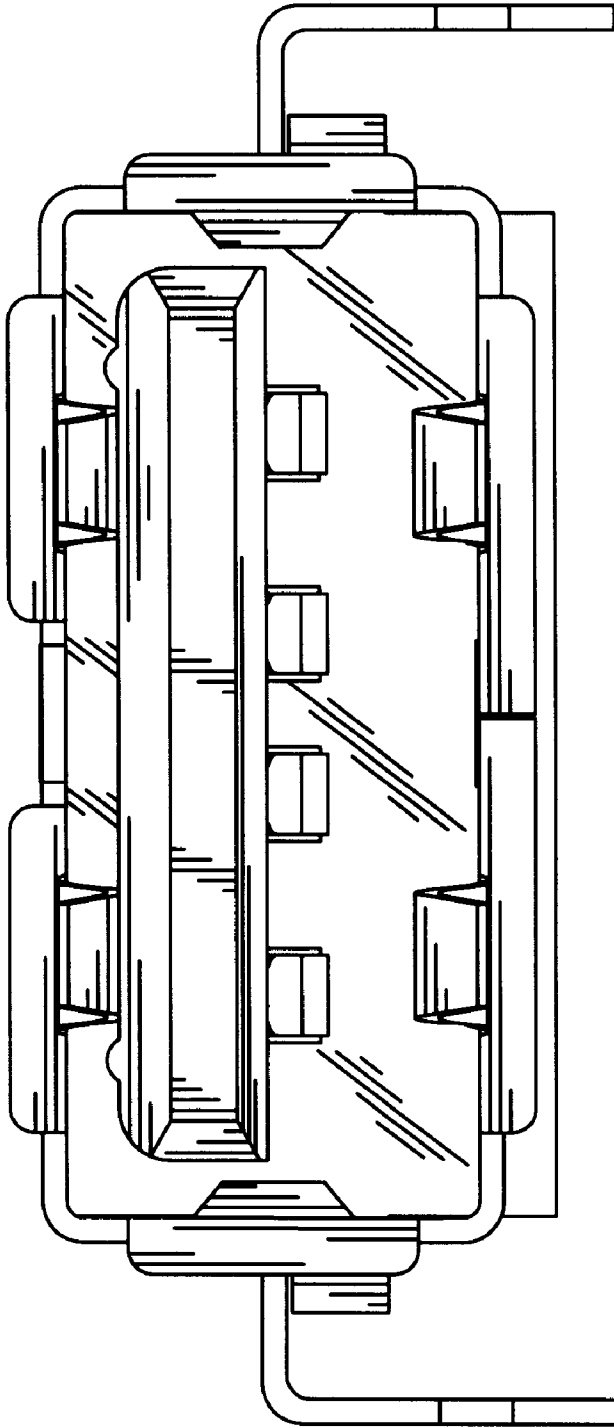


FIG. 2

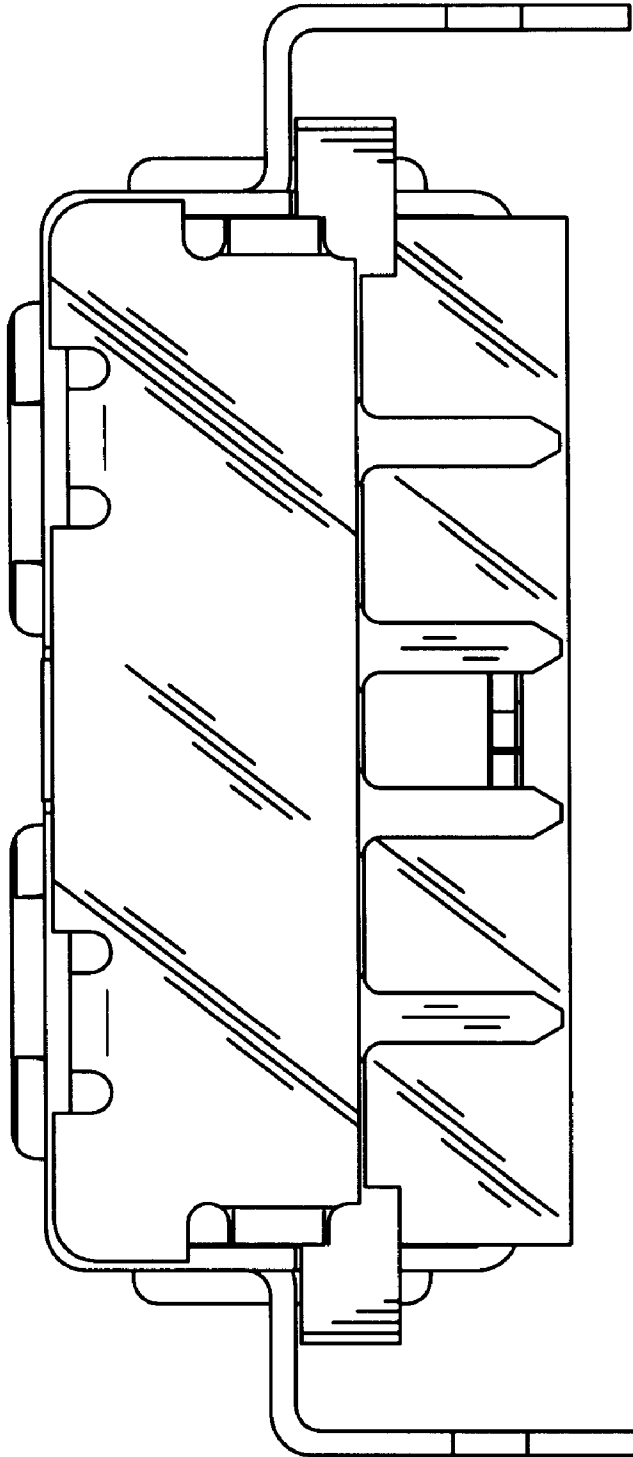


FIG. 3

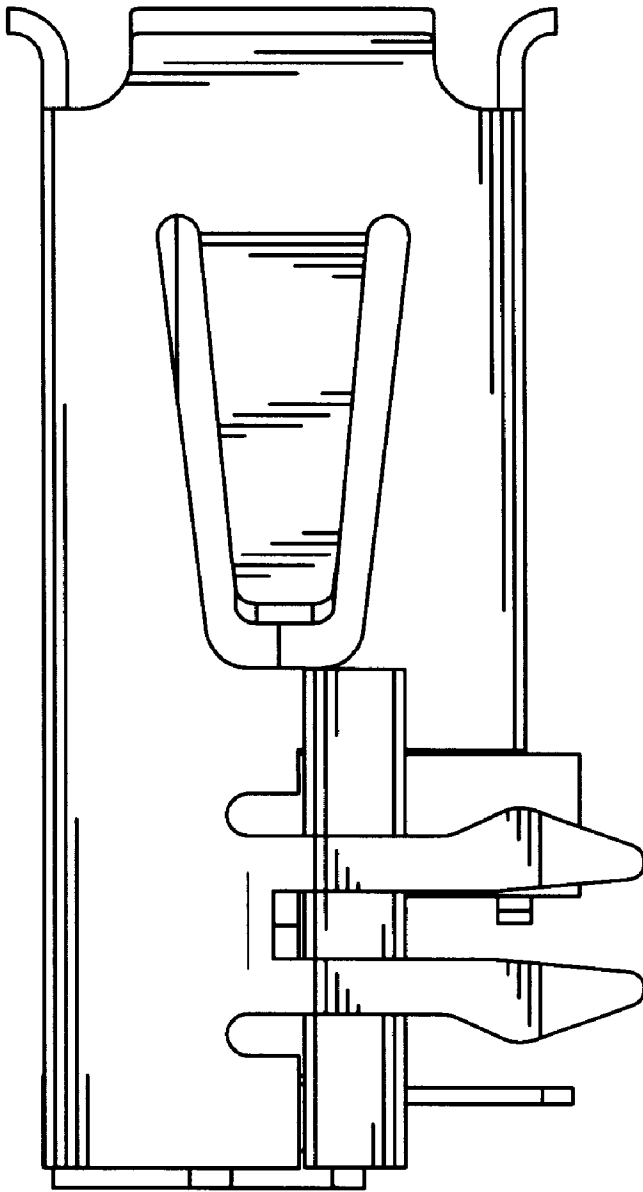


FIG. 4

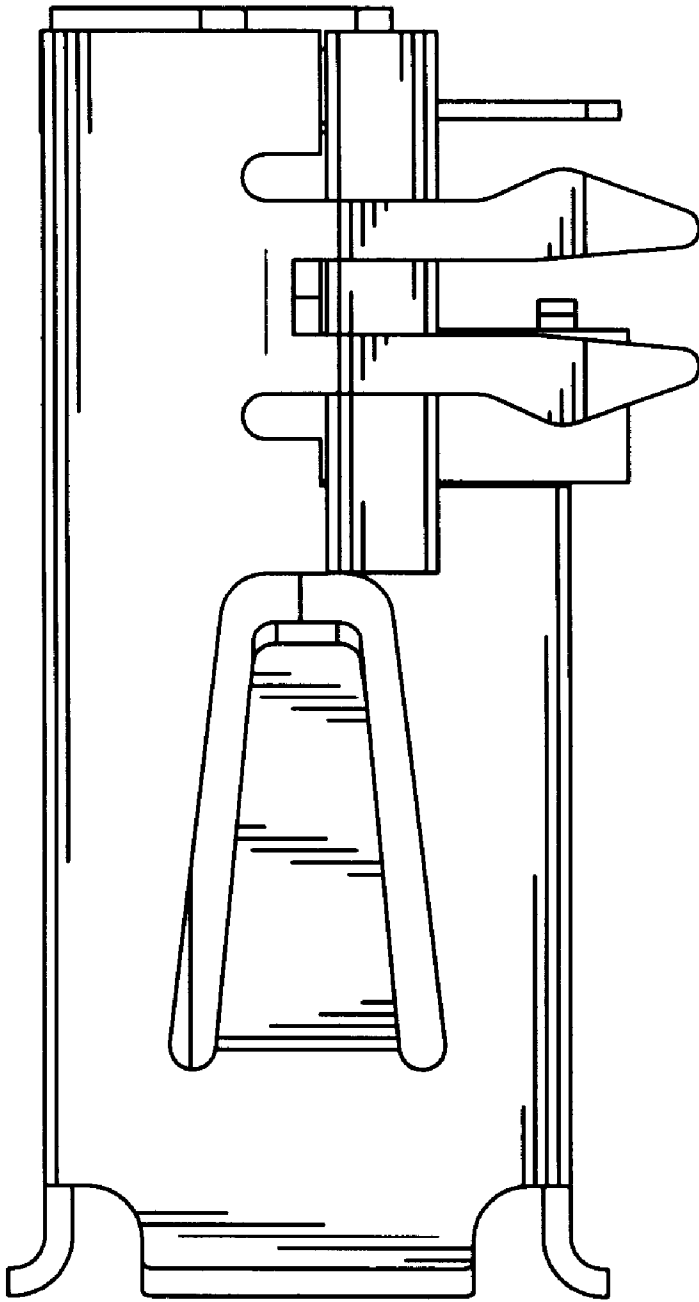


FIG. 5

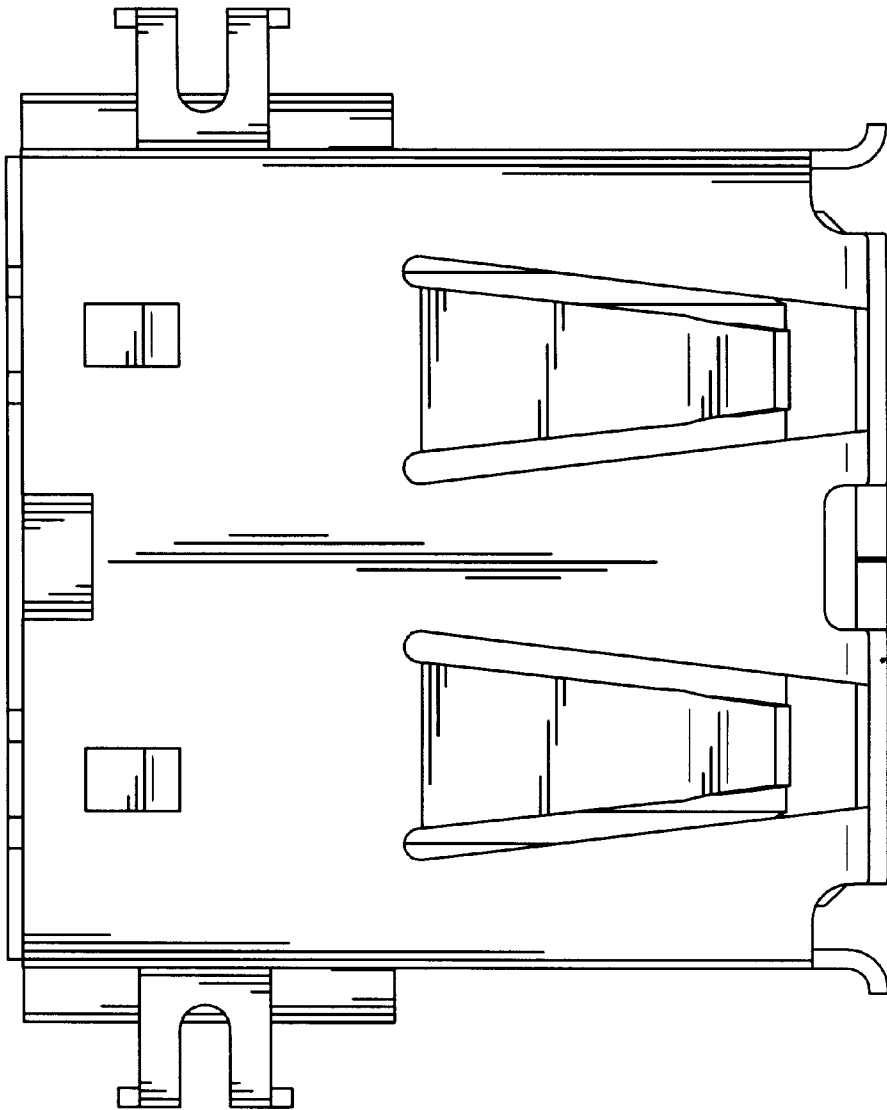


FIG. 6

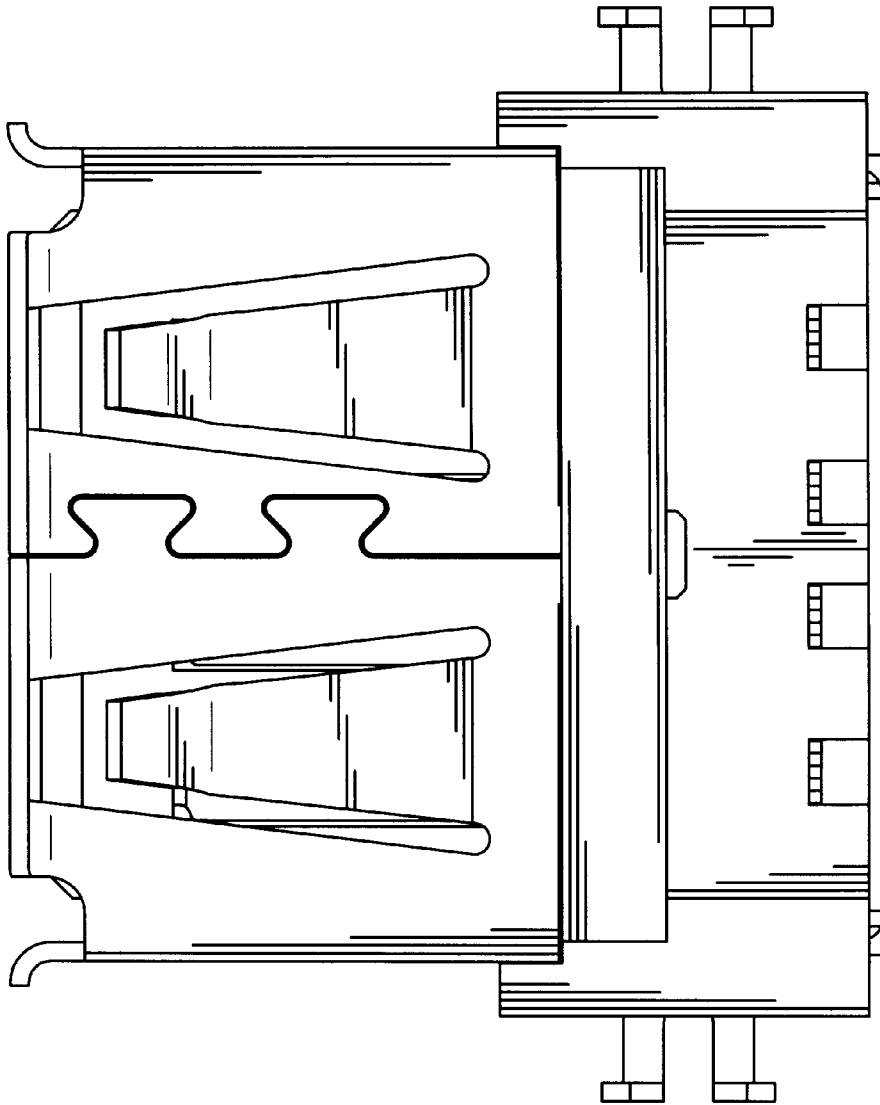


FIG. 7