

(19) World Intellectual Property Organization
International Bureau



(43) International Publication Date
24 November 2005 (24.11.2005)

PCT

(10) International Publication Number
WO 2005/110525 A3

- (51) International Patent Classification:
A61M 37/00 (2006.01)
- (21) International Application Number:
PCT/US2005/012122
- (22) International Filing Date: 11 April 2005 (11.04.2005)
- (25) Filing Language: English
- (26) Publication Language: English
- (30) Priority Data:

60/561,378	12 April 2004 (12.04.2004)	US
60/561,400	12 April 2004 (12.04.2004)	US
60/561,389	12 April 2004 (12.04.2004)	US
60/561,395	12 April 2004 (12.04.2004)	US
60/561,480	12 April 2004 (12.04.2004)	US
60/561,390	12 April 2004 (12.04.2004)	US

(81) Designated States (unless otherwise indicated, for every kind of national protection available): AE, AG, AL, AM, AT, AU, AZ, BA, BB, BG, BR, BW, BY, BZ, CA, CH, CN, CO, CR, CU, CZ, DE, DK, DM, DZ, EC, EE, EG, ES, FI, GB, GD, GE, GH, GM, HR, HU, ID, IL, IN, IS, JP, KE, KG, KM, KP, KR, KZ, LC, LK, LR, LS, LT, LU, LV, MA, MD, MG, MK, MN, MW, MX, MZ, NA, NI, NO, NZ, OM, PG, PH, PL, PT, RO, RU, SC, SD, SE, SG, SK, SL, SM, SY, TJ, TM, TN, TR, TT, TZ, UA, UG, US, UZ, VC, VN, YU, ZA, ZM, ZW.

(84) Designated States (unless otherwise indicated, for every kind of regional protection available): ARIPO (BW, GH, GM, KE, LS, MW, MZ, NA, SD, SL, SZ, TZ, UG, ZM, ZW), Eurasian (AM, AZ, BY, KG, KZ, MD, RU, TJ, TM), European (AT, BE, BG, CH, CY, CZ, DE, DK, EE, ES, FI, FR, GB, GR, HU, IE, IS, IT, LT, LU, MC, NL, PL, PT, RO, SE, SI, SK, TR), OAPI (BF, BJ, CF, CG, CI, CM, GA, GN, GQ, GW, ML, MR, NE, SN, TD, TG).

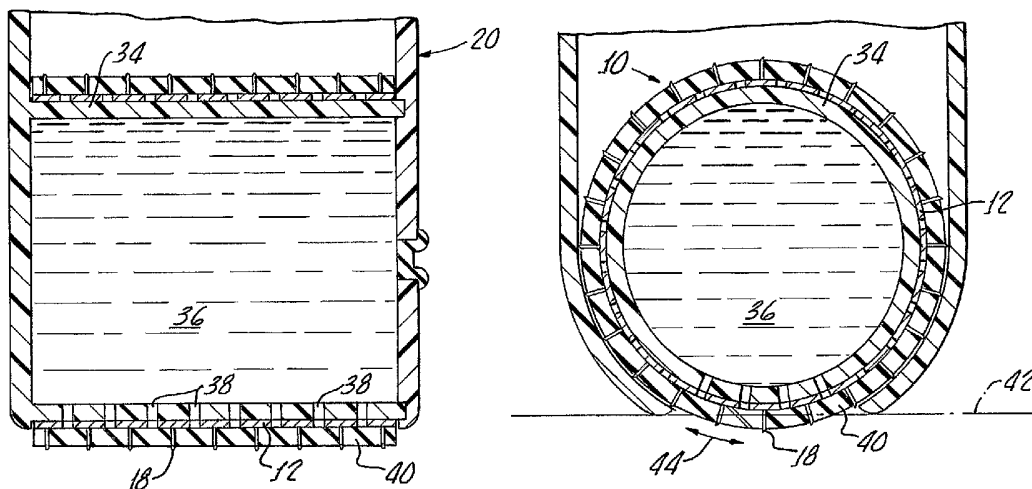
- (71) Applicant (for all designated States except US): ALLERGAN, INC. [US/US]; 2525 Dupont Drive, Post Office Box 19534, Irvine, CA 92612 (US).
- (72) Inventors; and
- (75) Inventors/Applicants (for US only): KIMMELL, Steven, D. [US/US]; 12754 Deon Place, Granada Hills, CA 91344-1001 (US). GERONDALE, Scott, J. [US/US]; 12 Risero Drive, Mission Viejo, CA 92692 (US).
- (74) Agents: JOHNSON, Brent, A. et al.; c/o Allergan, Inc., 2525 Dupont Drive, Irvine, CA 92612 (US).

Published:
— with international search report
— before the expiration of the time limit for amending the claims and to be republished in the event of receipt of amendments

(88) Date of publication of the international search report:
9 March 2006

For two-letter codes and other abbreviations, refer to the "Guidance Notes on Codes and Abbreviations" appearing at the beginning of each regular issue of the PCT Gazette.

(54) Title: MULTI-SITE INJECTION SYSTEM



(57) Abstract: A multi-site injection system (10) in accordance with the present invention generally includes a plurality of medication delivering needles/microprotrusions (18) along with a support therefore. A supply of medicament (36) is provided and a means provided for supplying the medicament to the plurality of needles/microprotrusions in order to effect delivery into a stratum corneum (42) of a user.

WO 2005/110525 A3

INTERNATIONAL SEARCH REPORT

International Application No

PCT/US2005/012122

A. CLASSIFICATION OF SUBJECT MATTER

A61M37/00

According to International Patent Classification (IPC) or to both national classification and IPC

B. FIELDS SEARCHED

Minimum documentation searched (classification system followed by classification symbols)

A61M

Documentation searched other than minimum documentation to the extent that such documents are included in the fields searched

Electronic data base consulted during the international search (name of data base and, where practical, search terms used)

EPO-Internal

C. DOCUMENTS CONSIDERED TO BE RELEVANT

Category *	Citation of document, with indication, where appropriate, of the relevant passages	Relevant to claim No.
X	WO 03/024518 A (THE PROCTER & GAMBLE COMPANY) 27 March 2003 (2003-03-27) abstract; figures	1-11
X	DE 195 18 974 A1 (SAMSUNG ELECTRO-MECHANICS CO., LTD., SUWON, KYONGGI, KR; SAMSUNG ELECT) 30 November 1995 (1995-11-30) abstract; figures	1-11
A	DE 23 19 591 A1 (KIRCHNER & WILHELM, 7000 STUTTGART; KIRCHNER & WILHELM, 7000 STUTTGART) 14 November 1974 (1974-11-14) abstract; figures	1-11
A	FR 2 720 003 A (SAMSUNG ELECTRO MECHANICS CO LTD) 24 November 1995 (1995-11-24) abstract; figures	1-11

 Further documents are listed in the continuation of box C. Patent family members are listed in annex.

* Special categories of cited documents :

"A" document defining the general state of the art which is not considered to be of particular relevance

"E" earlier document but published on or after the international filing date

"L" document which may throw doubts on priority claim(s) or which is cited to establish the publication date of another citation or other special reason (as specified)

"O" document referring to an oral disclosure, use, exhibition or other means

"P" document published prior to the international filing date but later than the priority date claimed

"T" later document published after the international filing date or priority date and not in conflict with the application but cited to understand the principle or theory underlying the invention

"X" document of particular relevance; the claimed invention cannot be considered novel or cannot be considered to involve an inventive step when the document is taken alone

"Y" document of particular relevance; the claimed invention cannot be considered to involve an inventive step when the document is combined with one or more other such documents, such combination being obvious to a person skilled in the art.

"&" document member of the same patent family

Date of the actual completion of the international search

21 October 2005

Date of mailing of the international search report

18. 01. 2006

Name and mailing address of the ISA

European Patent Office, P.B. 5818 Patentlaan 2
NL - 2280 HV Rijswijk
Tel. (+31-70) 340-2040, Tx. 31 651 epo nl,
Fax: (+31-70) 340-3016

Authorized officer

Ehrsam, F

INTERNATIONAL SEARCH REPORT

International application No.
PCT/US2005/012122

Box II Observations where certain claims were found unsearchable (Continuation of item 2 of first sheet)

This International Search Report has not been established in respect of certain claims under Article 17(2)(a) for the following reasons:

1. Claims Nos.:
because they relate to subject matter not required to be searched by this Authority, namely:

2. Claims Nos.:
because they relate to parts of the International Application that do not comply with the prescribed requirements to such an extent that no meaningful International Search can be carried out, specifically:

3. Claims Nos.:
because they are dependent claims and are not drafted in accordance with the second and third sentences of Rule 6.4(a).

Box III Observations where unity of invention is lacking (Continuation of item 3 of first sheet)

This International Searching Authority found multiple inventions in this international application, as follows:

see additional sheet

1. As all required additional search fees were timely paid by the applicant, this International Search Report covers all searchable claims.

2. As all searchable claims could be searched without effort justifying an additional fee, this Authority did not invite payment of any additional fee.

3. As only some of the required additional search fees were timely paid by the applicant, this International Search Report covers only those claims for which fees were paid, specifically claims Nos.:

4. No required additional search fees were timely paid by the applicant. Consequently, this International Search Report is restricted to the invention first mentioned in the claims; it is covered by claims Nos.:

1-11

Remark on Protest

- The additional search fees were accompanied by the applicant's protest.
- No protest accompanied the payment of additional search fees.

FURTHER INFORMATION CONTINUED FROM PCT/ISA/ 210

This International Searching Authority found multiple (groups of) inventions in this international application, as follows:

1. claims: 1-11

A multi-site injection system comprising a rotatable drum

2. claims: 12-37

A multi-site injection system comprising a plate and a
plunger base for moving said needle plate from the first to
the second position

3. claims: 38-50

A multi-site injection system comprising a carrier sheet
including a plurality of medicament filled rupturable
blister disposed on an inside surface thereof

INTERNATIONAL SEARCH REPORT

Information on patent family members

International Publication No
PCT/US2005/012122

Patent document cited in search report	Publication date	Patent family member(s)	Publication date
WO 03024518	A	27-03-2003	CA 2456626 A1 27-03-2003
			EP 1425064 A2 09-06-2004
			JP 2005503210 T 03-02-2005

DE 19518974	A1	30-11-1995	CA 2149836 A1 24-11-1995

DE 2319591	A1	14-11-1974	NONE

FR 2720003	A	24-11-1995	JP 2551742 B2 06-11-1996
			JP 8150147 A 11-06-1996
