

(19) World Intellectual Property Organization
International Bureau



(43) International Publication Date
6 June 2002 (06.06.2002)

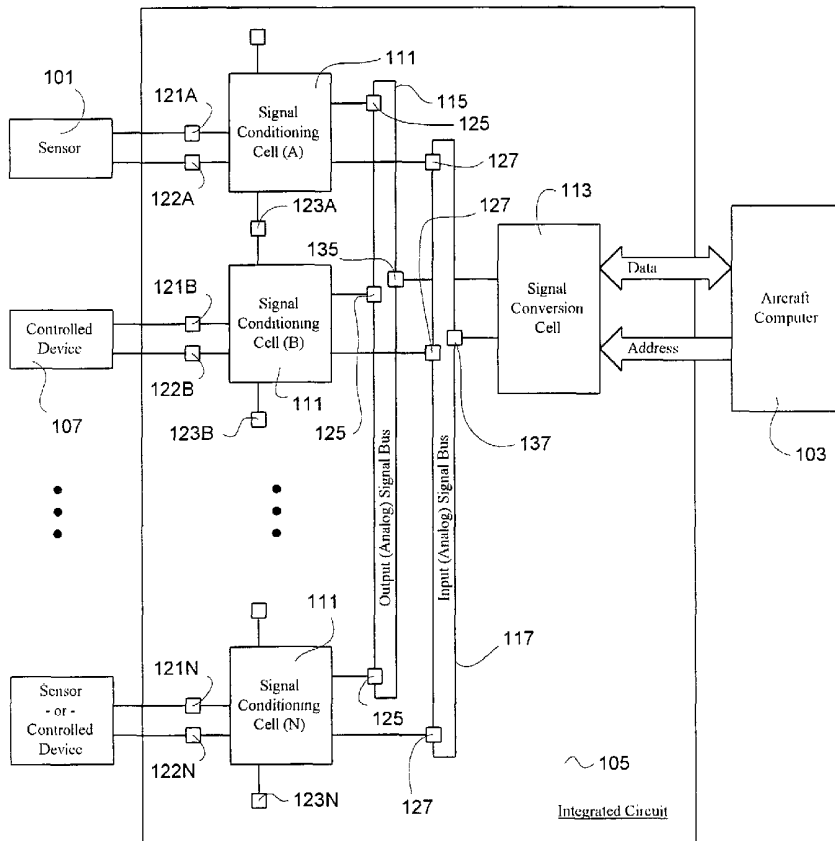
PCT

(10) International Publication Number
WO 02/044996 A3

- (51) International Patent Classification⁷: H03M 1/00
- (21) International Application Number: PCT/US01/50161
- (22) International Filing Date: 24 October 2001 (24.10.2001)
- (25) Filing Language: English
- (26) Publication Language: English
- (30) Priority Data:
09/694,881 24 October 2000 (24.10.2000) US
- (71) Applicant: HONEYWELL INTERNATIONAL INC. [US/US]; 101 Columbia Road, P.O. Box 2245, Morristown, NJ 07962 (US).
- (72) Inventors: YOUNIS, Mohamed; 5029 Columbia Road, Apt. 301, Columbia, MD 21044 (US). ERNST, James, W.; 5399 Alvamar Place, Carmel, IN 46033 (US).
- (74) Agents: YEADON, Loria, B. et al.; Honeywell International Inc., 101 Columbia Road, P.O. Box 2245, Morristown, NJ 07962 (US).
- (81) Designated States (*national*): AE, AG, AL, AM, AT, AU, AZ, BA, BB, BG, BR, BY, BZ, CA, CH, CN, CR, CU, CZ, DE, DK, DM, DZ, EE, ES, FI, GB, GD, GE, GH, GM, HR, HU, ID, IL, IN, IS, JP, KE, KG, KP, KR, KZ, LC, LK, LR, LS, LT, LU, LV, MA, MD, MG, MK, MN, MW, MX, MZ, NO, NZ, PL, PT, RO, RU, SD, SE, SG, SI, SK, SL, TJ, TM, TR, TT, TZ, UA, UG, UZ, VN, YU, ZA, ZW.
- (84) Designated States (*regional*): ARIPO patent (GH, GM, KE, LS, MW, MZ, SD, SL, SZ, TZ, UG, ZW), Eurasian patent (AM, AZ, BY, KG, KZ, MD, RU, TJ, TM), European patent (AT, BE, CH, CY, DE, DK, ES, FI, FR, GB, GR, IE, IT, LU, MC, NL, PT, SE, TR), OAPI patent (BF, BJ, CF, CG, CI, CM, GA, GN, GQ, GW, ML, MR, NE, SN, TD, TG).

[Continued on next page]

(54) Title: INTEGRATED CIRCUIT FOR CONDITIONING AND CONVERSION OF BI-DIRECTIONAL DISCRETE AND ANALOG SIGNALS



(57) Abstract: An integrated circuit chip (105) for interfacing a digital computer (103) to sensors (101) and controlled devices (107) can be configured to accept and provide a variety of analog and discrete input and output signals. The circuit includes a plurality of signal conditioning cells (111), a plurality of signal conversion cells (113), and input and output signal multiplexers.

WO 02/044996 A3



Published:

— *with international search report*

For two-letter codes and other abbreviations, refer to the "Guidance Notes on Codes and Abbreviations" appearing at the beginning of each regular issue of the PCT Gazette.

(88) Date of publication of the international search report:

29 August 2002

INTERNATIONAL SEARCH REPORT

International application No.

PCT/US01/50161

A. CLASSIFICATION OF SUBJECT MATTER		
IPC(7) : H03M 1/00 US CL : 341/141		
According to International Patent Classification (IPC) or to both national classification and IPC		
B. FIELDS SEARCHED		
Minimum documentation searched (classification system followed by classification symbols) U.S. : 341/108, 139, 141,144,155		
Documentation searched other than minimum documentation to the extent that such documents are included in the fields searched NONE		
Electronic data base consulted during the international search (name of data base and, where practicable, search terms used) NONE		
C. DOCUMENTS CONSIDERED TO BE RELEVANT		
Category *	Citation of document, with indication, where appropriate, of the relevant passages	Relevant to claim No.
X --- Y	US 5,995,033 A (ROECKNER et al) 30 November 1999 (30.11.1999), see the whole document.	1, 2, 10-13 ----- 3-9, 14
Y	US 4,742,515 A (DABHOLKAR et al) 03 May 1988 (03.05.1988), see col. 1, line 58 – col. 2, line 10.	3-9, 14
A	US 3,805,242 A (MATSUMOTO et al) 16 April 1974 (16.04.1974), see entire document.	1
<input type="checkbox"/> Further documents are listed in the continuation of Box C. <input type="checkbox"/> See patent family annex.		
* Special categories of cited documents:		
"A"	document defining the general state of the art which is not considered to be of particular relevance	"T" later document published after the international filing date or priority date and not in conflict with the application but cited to understand the principle or theory underlying the invention
"E"	earlier application or patent published on or after the international filing date	"X" document of particular relevance; the claimed invention cannot be considered novel or cannot be considered to involve an inventive step when the document is taken alone
"L"	document which may throw doubts on priority claim(s) or which is cited to establish the publication date of another citation or other special reason (as specified)	"Y" document of particular relevance; the claimed invention cannot be considered to involve an inventive step when the document is combined with one or more other such documents, such combination being obvious to a person skilled in the art
"O"	document referring to an oral disclosure, use, exhibition or other means	"&" document member of the same patent family
"P"	document published prior to the international filing date but later than the priority date claimed	
Date of the actual completion of the international search 19 APRIL 2002 (19.04.2002)		Date of mailing of the international search report 13 MAY 2002
Name and mailing address of the ISA/US Commissioner of Patents and Trademarks Box PCT Washington, D.C. 20231 Facsimile No. (703) 305-3230		Authorized officer Howard Williams Telephone No. (703) 308-1679 <i>Penne Ruston</i>