



US00D378069S

# United States Patent [19]

[11] **Patent Number:** **Des. 378,069**

**Koven**

[45] **Date of Patent:** **\*\*Feb. 18, 1997**

[54] **CLASP SET**

[76] Inventor: **Melvin R. Koven**, P.O. Box 52, Chama, N.M. 87520

[\*\*] Term: **14 Years**

[21] Appl. No.: **41,164**

[22] Filed: **Jul. 6, 1995**

5,134,861	8/1992	Koven	63/2
5,203,057	4/1993	Runnels	24/573.1
5,231,740	8/1993	Moheldhosravi	24/589
5,313,810	5/1994	Koven	62/2

### FOREIGN PATENT DOCUMENTS

441884	4/1912	France	116/237
1460915	10/1966	France	63/20

### OTHER PUBLICATIONS

- "Robert Adams Ltd. Advertisement," Show Guide to Jewelry '93; Industry Show, Las Vegas Nev. Jun. 3-8, 1993.
- "B & B Jewelry Manufacturing," *Show Guide to Jewelry '93; Industry Show*, Las Vegas Nev. Jun. 3-8, 1993.
- "Media Imports, Inc.," *Show Guide to Jewelry '93; Industry Show*, Las Vegas Nev. Jun. 3-8, 1993.
- "Pronto Jewelry Inc.," *Show Guide to Jewelry '93; Industry Show*, Las Vegas Nev. Jun. 3-8, 1993.
- "Benjamin & Co.," *Show Guide to Jewelry '93; Industry Show*, Las Vegas Nev. Jun. 3-8, 1993.
- "C. K. Gumpert, Inc.," *Show Guide to Jewelry '93; Industry Show*, Las Vegas Nev. Jun. 3-8, 1993.

### Related U.S. Application Data

- [62] Division of Ser. No. 7,056, Apr. 12, 1993, Pat. No. Des. 360,848.
- [52] **U.S. Cl.** ..... **D11/87**
- [58] **Field of Search** ..... D11/1-25, 87, D11/200, 201, 216; 24/589, 573.1, 616, 625; 63/1-2

### [56] References Cited

#### U.S. PATENT DOCUMENTS

D. 25,771	7/1896	Hennessy .	
D. 26,727	3/1897	Smith .	
D. 97,353	10/1935	Lester .	
D. 156,634	12/1949	Lang	D17/10
D. 264,828	6/1982	Gray	D11/87
D. 300,614	4/1989	Geldwerth	D11/216
D. 360,848	8/1995	Koven	D11/87
454,380	6/1891	Rabby	24/49 R X
529,184	11/1894	Oppenheimer	63/20 X
556,080	3/1896	Ashby .	
559,567	5/1896	Chamberlin	63/26 X
580,578	4/1897	Klein	24/49 R X
896,941	8/1908	Rothschild	63/20 X
1,093,516	4/1914	Winterhalter .	
1,160,723	11/1915	Lander .	
1,477,461	12/1923	Smith .	
1,701,970	2/1929	Chaunard .	
2,121,402	6/1938	Knoebel, Jr.	24/56
2,599,921	6/1952	Johnson	40/140
2,749,920	6/1956	Kriesman et al.	132/31
2,986,792	6/1991	Wyatt	D11/87
3,827,108	8/1974	Jewett	24/49 CF
4,173,793	11/1979	Yasui	2/152 A
4,723,422	2/1988	Foster	63/20

*Primary Examiner*—Ralf Seifert  
*Attorney, Agent, or Firm*—Deborah A. Peacock

### [57] CLAIM

The ornamental design for a clasp set, as shown and described.

### DESCRIPTION

FIG. 1 is a perspective view of a clasp set showing my new design, the broken line showing of partial chains and a gemstone is for illustrative purposes only and forms no part of the claimed design;

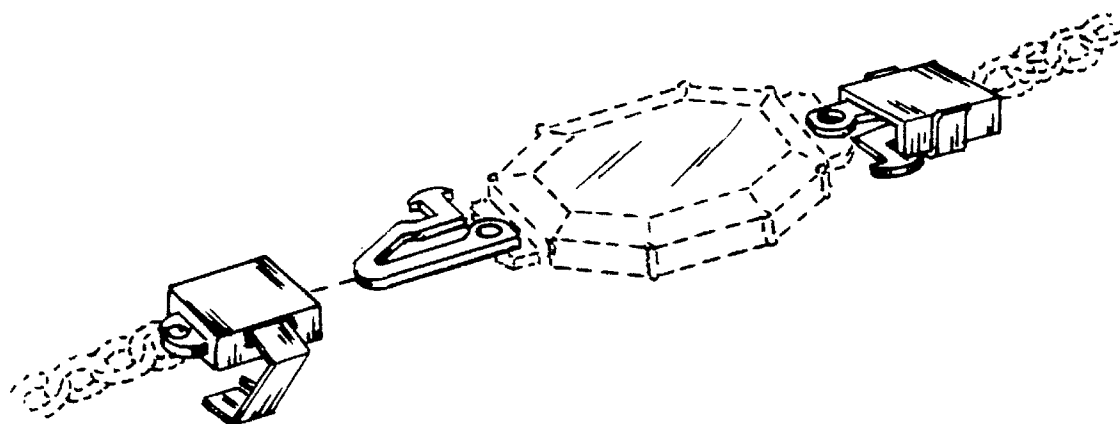
FIG. 2 is a top plan view thereof;

FIG. 3 is a side elevational view thereof;

FIG. 4 is a bottom plan view thereof; and,

FIG. 5 is a perspective view, the broken line showing of partial chains and a watch is for illustrative purposes only and forms no part of the claimed design.

**1 Claim, 1 Drawing Sheet**



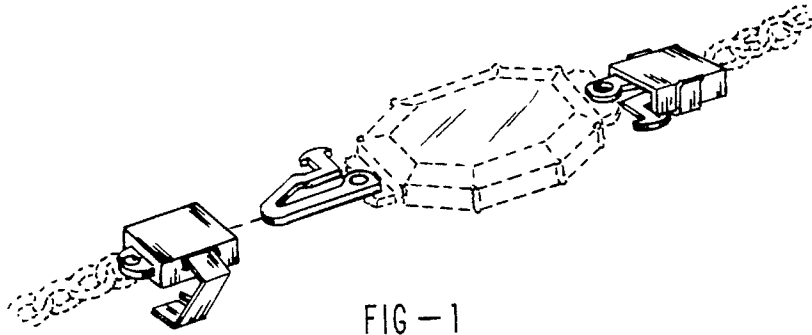


FIG-1

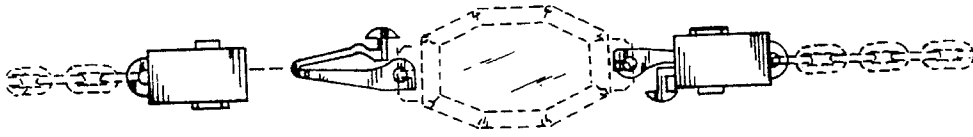


FIG-2

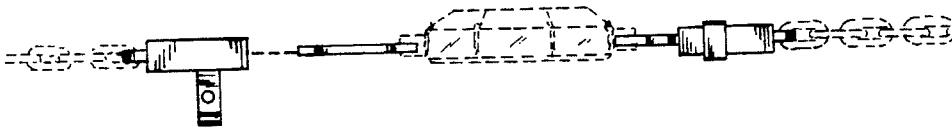


FIG-3

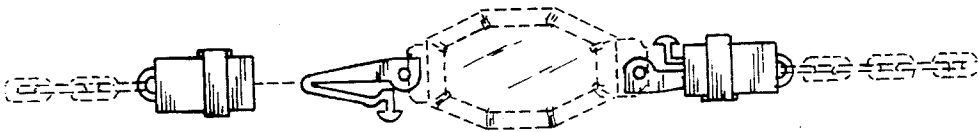


FIG-4

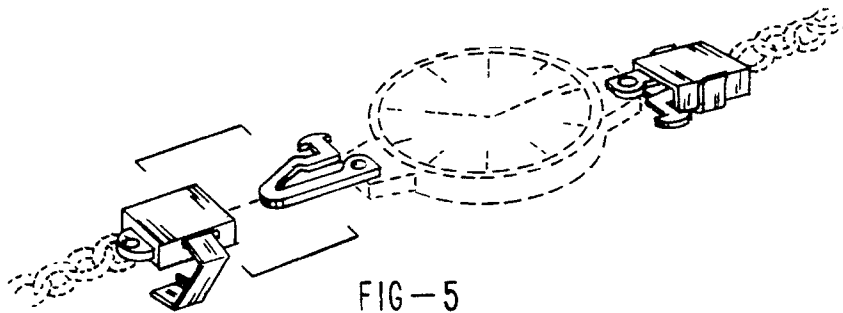


FIG-5