



US00D858915S

(12) **United States Design Patent** (10) **Patent No.:** **US D858,915 S**  
**Beaudreault et al.** (45) **Date of Patent:** **\*\* Sep. 3, 2019**

(54) **FABRIC CARE APPLIANCE**  
(71) Applicant: **WHIRLPOOL CORPORATION**,  
Benton Harbor, MI (US)  
(72) Inventors: **James Beaudreault**, Lincoln, RI (US);  
**Adam Richard Brown**, Holland, MI  
(US); **Lucien Bourbeau**, Assonet, MA  
(US); **Matthew B. Conn**, Granger, IN  
(US); **Gregory A. Ferro**, Elkhart, IN  
(US); **Christopher A. Gregory**, St.  
Joseph, MI (US); **Nicholas**  
**Koukourakis**, Stevensville, MI (US);  
**Andrew S. Lawrence**, St. Joseph, MI  
(US); **Eamon C. Lyons**, Somerset, MA  
(US); **Mark W. Schulz**, Benton Harbor,  
MI (US)  
(73) Assignee: **Whirlpool Corporation**, Benton  
Harbor, MI (US)  
(\*\*) Term: **15 Years**  
(21) Appl. No.: **29/679,085**  
(22) Filed: **Feb. 1, 2019**

(56) **References Cited**  
U.S. PATENT DOCUMENTS  
2,741,113 A \* 4/1956 Norkus ..... D06F 43/06  
68/205 R  
3,049,903 A \* 8/1962 Sussman ..... D06F 73/02  
68/12.12  
3,102,796 A \* 9/1963 Erickson ..... D06F 58/02  
198/699.1  
3,426,555 A \* 2/1969 McCutcheon, Jr. .... D06F 43/08  
68/12.08  
3,739,496 A \* 6/1973 Buckley ..... D06F 73/02  
34/210  
4,180,919 A \* 1/1980 Baltes ..... D06F 57/12  
34/449  
4,682,424 A \* 7/1987 Irving ..... D06F 58/10  
211/123  
D320,877 S \* 10/1991 Renzacci ..... D32/6  
5,555,640 A \* 9/1996 Ou ..... A47L 19/00  
211/133.6  
5,755,040 A \* 5/1998 Ou ..... A47L 23/205  
34/202

(Continued)

*Primary Examiner* — Michelle E. Wilson  
(74) *Attorney, Agent, or Firm* — Price Heneveld LLP

(57) **CLAIM**

The ornamental design for a fabric care appliance, as shown and described.

**Related U.S. Application Data**

(63) Continuation of application No. 29/605,910, filed on May 31, 2017, now abandoned.

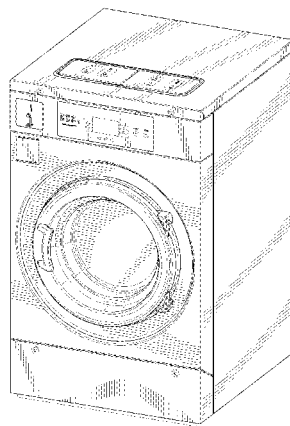
(51) **LOC (12) Cl.** ..... **15-05**  
(52) **U.S. Cl.**  
USPC ..... **D32/6**  
(58) **Field of Classification Search**  
USPC ..... D32/1, 5-6, 8, 25, 28, 29  
CPC .... D06F 33/02; D06F 2204/065; D06F 25/00;  
D06F 35/006; D06F 37/28; D06F 39/14;  
D06F 58/203

See application file for complete search history.

**DESCRIPTION**

FIG. 1 is a front perspective view of a fabric care appliance according to our design;  
FIG. 2 is a front elevation view thereof;  
FIG. 3 is a rear elevation view thereof;  
FIG. 4 is a left side elevation view thereof;  
FIG. 5 is a right side elevation view thereof;  
FIG. 6 is a top plan view thereof; and,  
FIG. 7 is a bottom plan view thereof.

(Continued)



The broken lines showing portions of the fabric care appli-  
 ance form no part of the claimed design.

**1 Claim, 7 Drawing Sheets**

(56)

**References Cited**

U.S. PATENT DOCUMENTS

5,815,961 A \* 10/1998 Estes ..... D06F 71/16  
 38/14  
 6,018,885 A \* 2/2000 Hill ..... D06F 58/10  
 34/202  
 6,427,365 B2 \* 8/2002 MacGregor ..... D06F 73/02  
 38/1 A  
 D476,782 S \* 7/2003 Huddleston ..... D32/6  
 D532,563 S \* 11/2006 Kim ..... D32/6  
 7,367,137 B2 \* 5/2008 Jonsson ..... D06F 58/10  
 34/265  
 D597,711 S 8/2009 Nam  
 D611,207 S 3/2010 Yalcin  
 D622,456 S \* 8/2010 Kim ..... D32/8  
 D626,300 S 10/2010 Lee  
 D630,807 S 1/2011 Song  
 D631,624 S 1/2011 Chung  
 D638,592 S \* 5/2011 Suh ..... D32/8

D640,430 S \* 6/2011 Jee ..... D32/6  
 D643,165 S \* 8/2011 Song ..... D32/8  
 D659,307 S 5/2012 Geyer  
 D659,917 S \* 5/2012 Jeon ..... D32/10  
 D671,282 S \* 11/2012 Jeon ..... D32/10  
 D688,427 S 8/2013 Meda  
 D695,472 S 12/2013 Borjesson  
 D696,478 S 12/2013 Geyer  
 D697,678 S 1/2014 Jeon  
 D701,009 S 3/2014 Jinnam  
 D712,603 S 9/2014 Geyer  
 D728,174 S \* 4/2015 Hedegaard ..... D32/1  
 D731,129 S 6/2015 Ha  
 D731,719 S 6/2015 Borjesson  
 D732,250 S 6/2015 Borjesson  
 D739,097 S 9/2015 Qin  
 9,388,523 B2 7/2016 Han  
 D787,759 S 5/2017 Geyer  
 9,777,423 B2 10/2017 Stabon  
 9,834,880 B2 12/2017 Jo  
 2004/0134087 A1 \* 7/2004 Meyer ..... D06F 58/10  
 34/90  
 2007/0151302 A1 \* 7/2007 Kendall ..... D06F 29/00  
 68/3 R  
 2008/0136295 A1 \* 6/2008 Aizpuru Borda ..... D06F 57/10  
 312/31  
 2017/0183807 A1 6/2017 Cinello  
 2017/0342639 A1 11/2017 Kim

\* cited by examiner

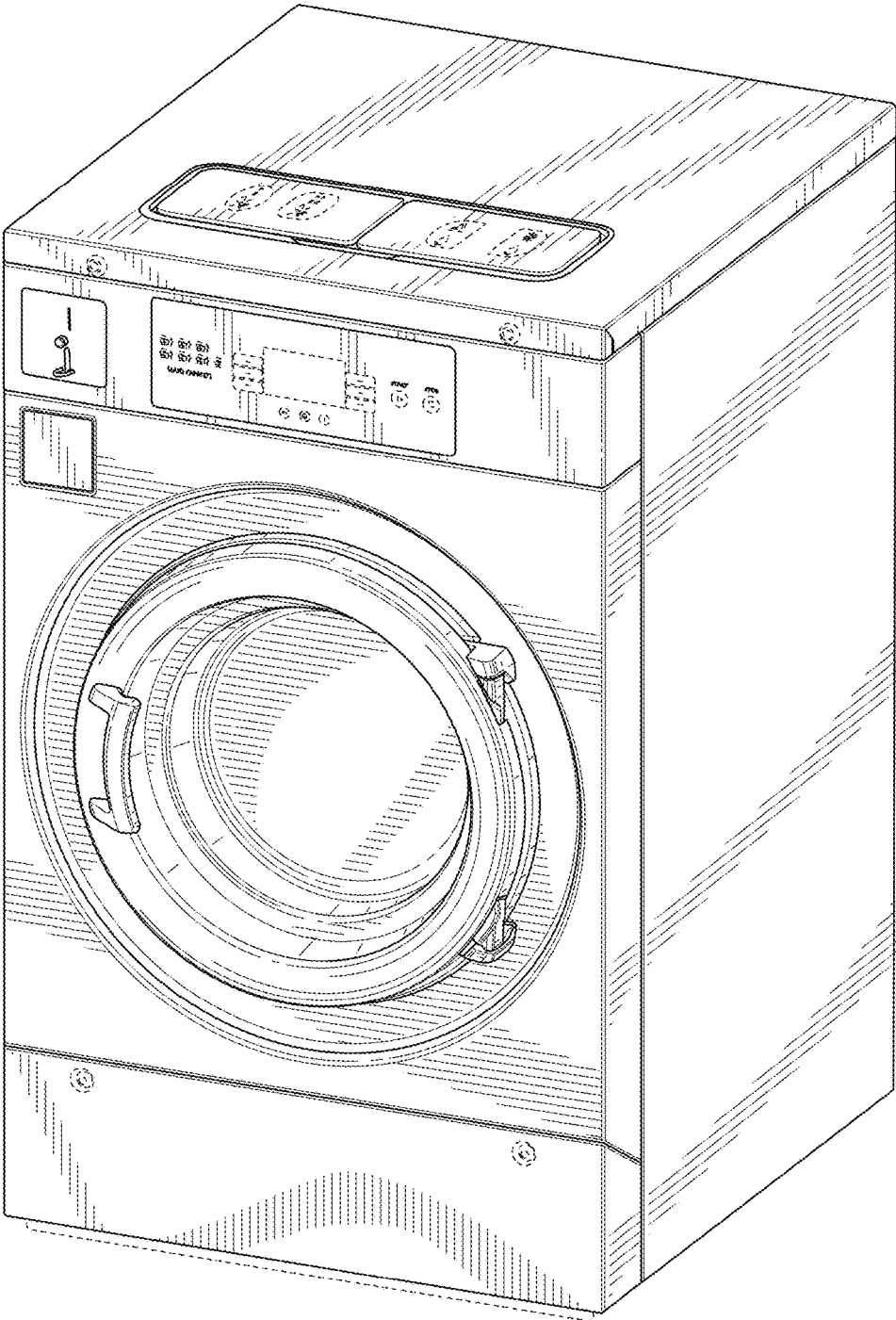


FIG. 1

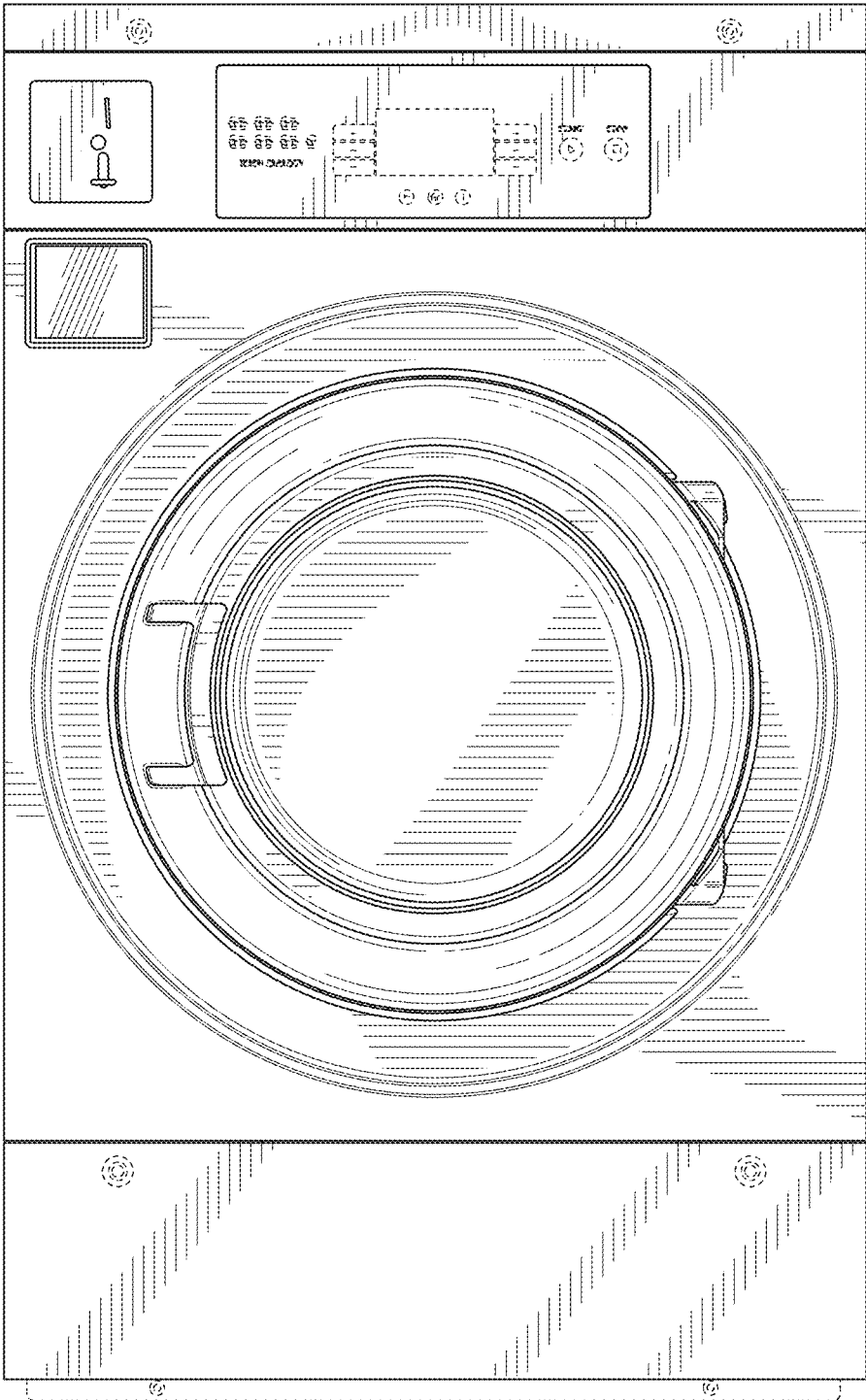


FIG. 2

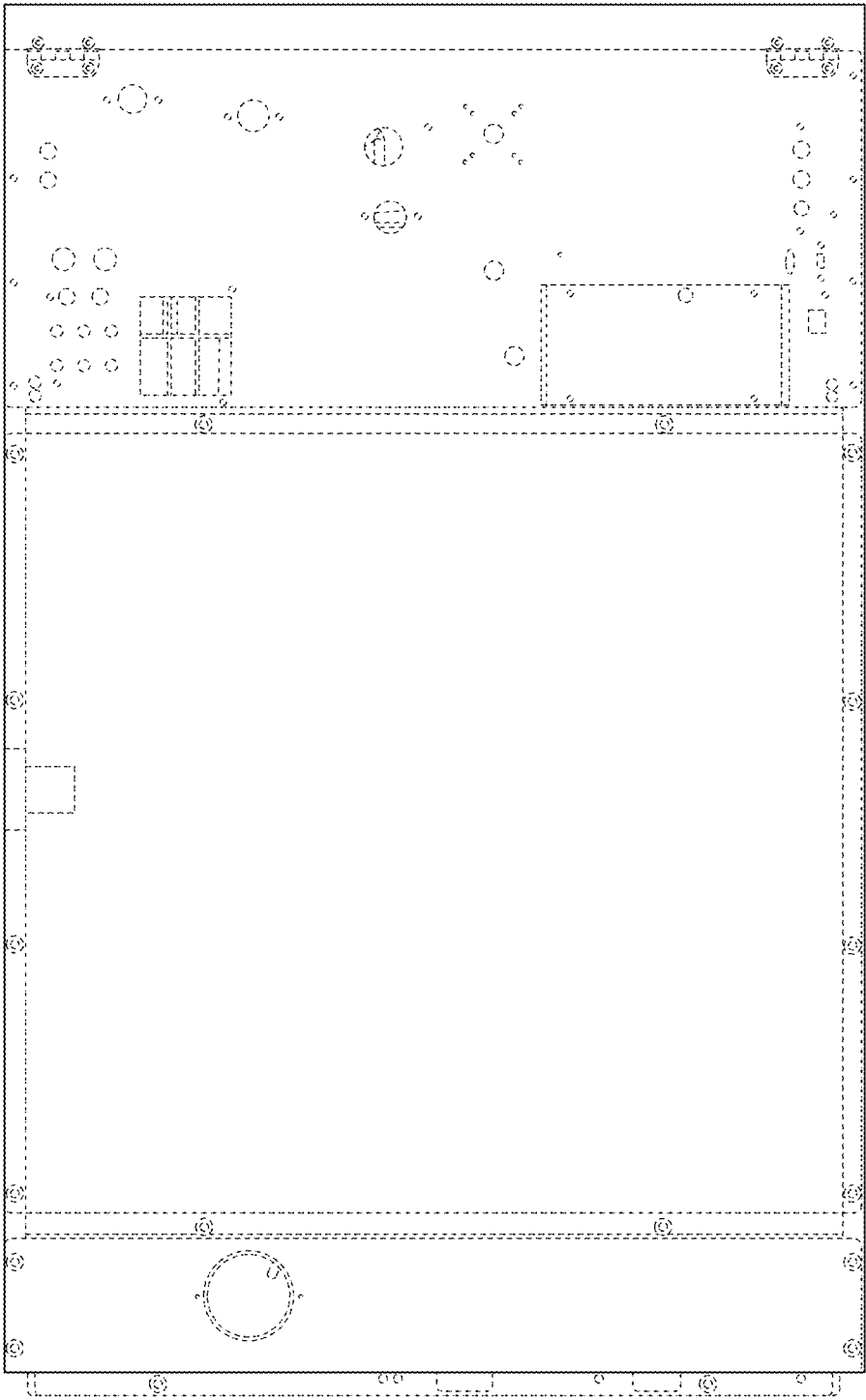


FIG. 3

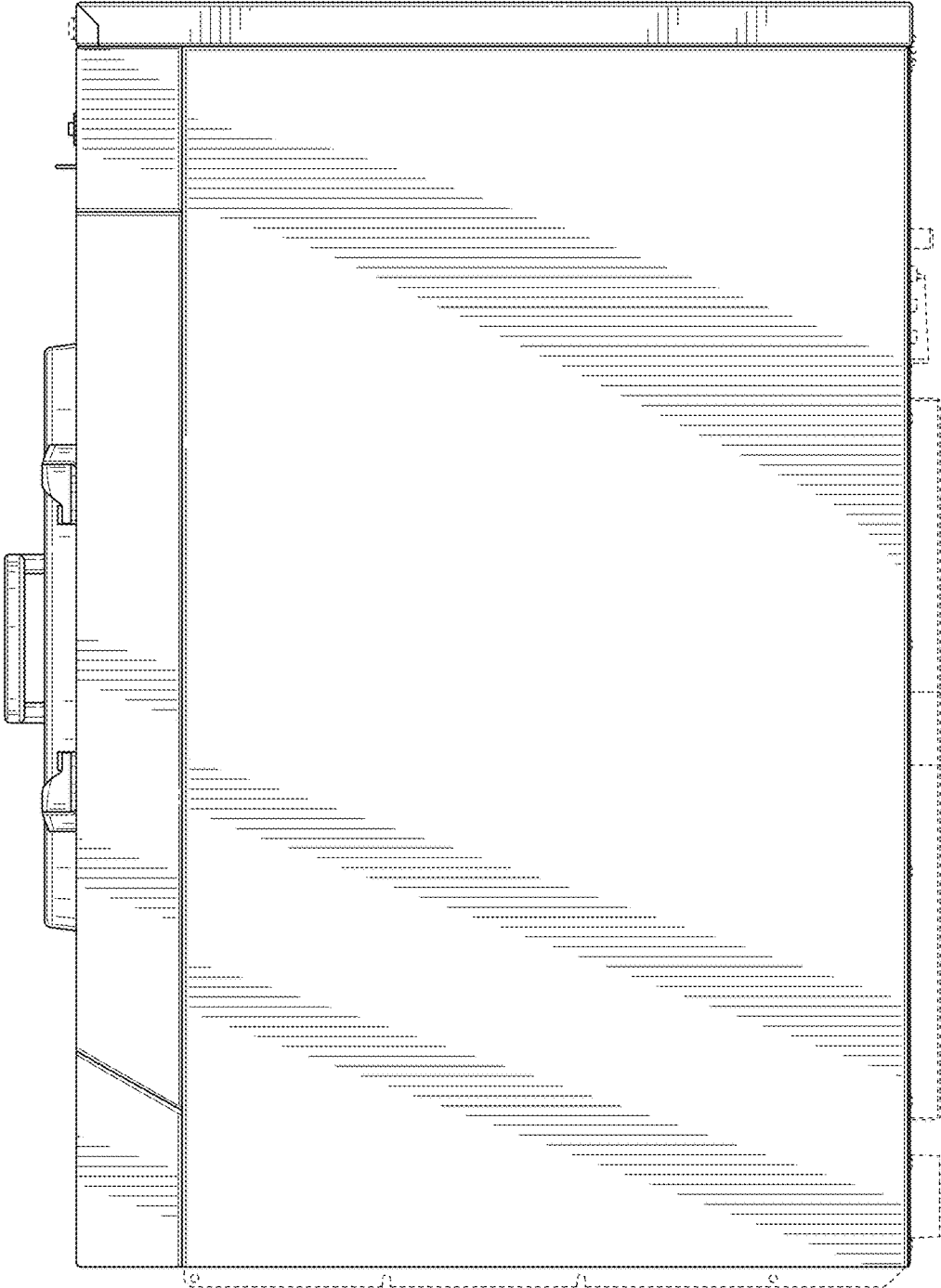


FIG. 4

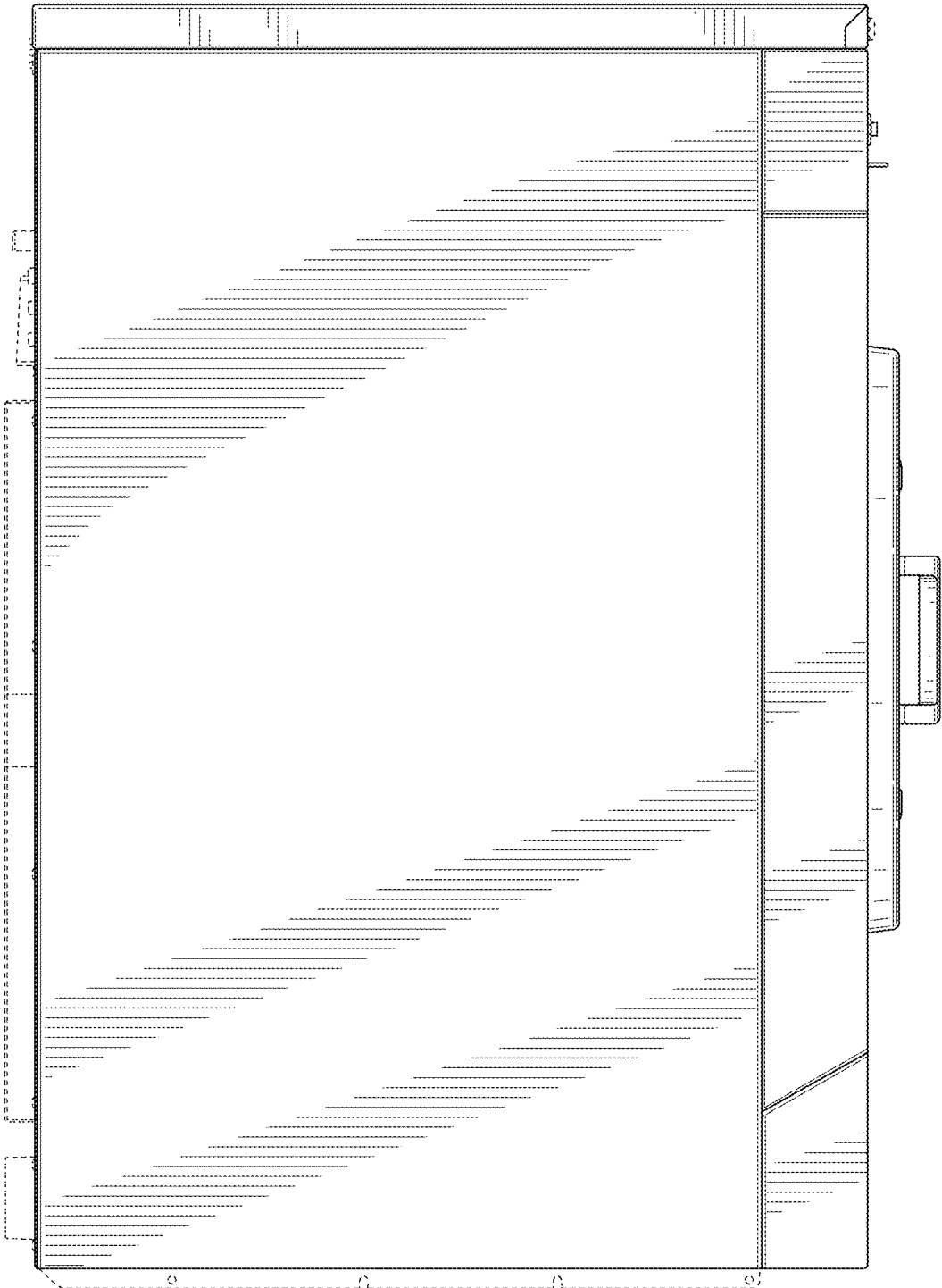


FIG. 5

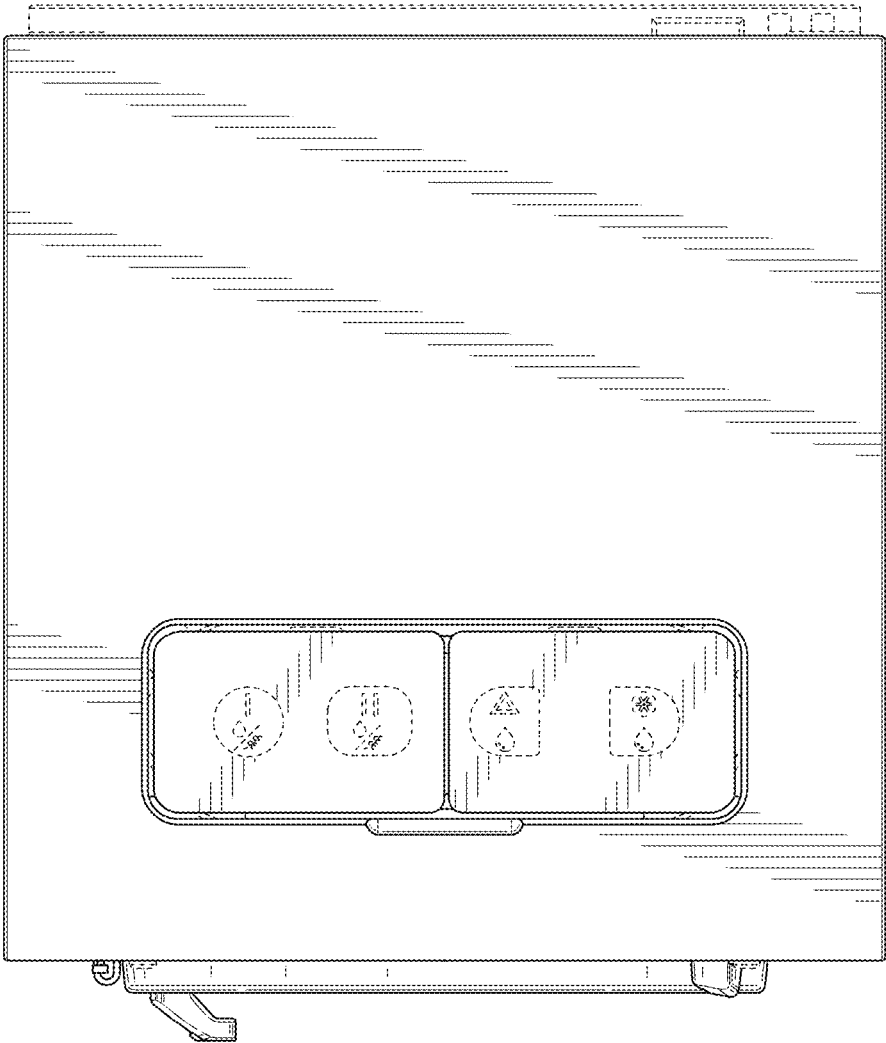


FIG. 6



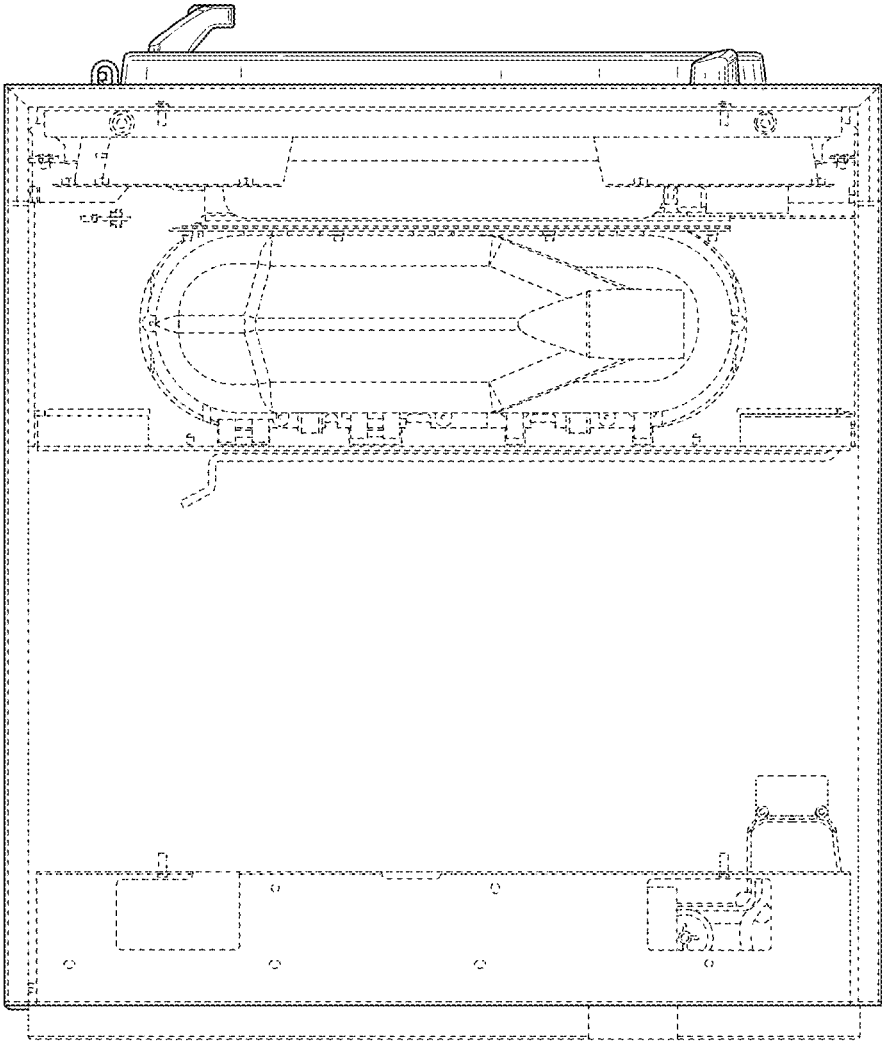


FIG. 7