



US00D414495S

United States Patent [19]
Heiligenstein et al.

[11] **Patent Number: Des. 414,495**
[45] **Date of Patent: ** Sep. 28, 1999**

- [54] **ANTENNA**
- [75] Inventors: **Luc Heiligenstein; Stephen Melamed,**
both of Chicago, Ill.
- [73] Assignee: **Terk Technologies Corporation,** New
York, N.Y.
- [**] Term: **14 Years**
- [21] Appl. No.: **29/087,878**
- [22] Filed: **May 11, 1998**
- [51] **LOC (6) Cl. 14-03**
- [52] **U.S. Cl. D14/234; D14/230**
- [58] **Field of Search D14/230-238;**
343/741, 866, 702, 870

1905444 9/1970 Germany 343/873
308129 3/1933 Italy 343/866

Primary Examiner—Louis S. Zarfaz
Assistant Examiner—G. Andoll
Attorney, Agent, or Firm—R. Neil Sudol; Henry D. Coleman

CLAIM

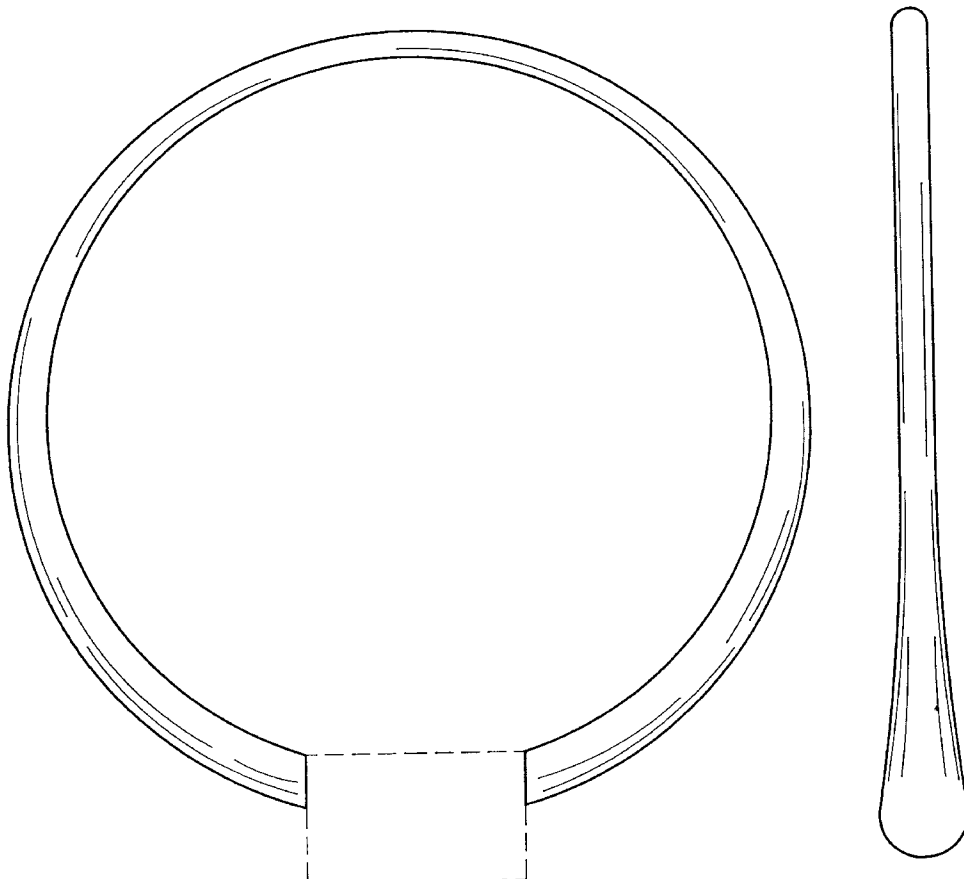
[57]
The ornamental design for the antenna, as shown and described.

DESCRIPTION

FIG. 1 is a top, front, and right side environmental perspective view of an antenna, showing our new design with the broken line structure being for illustrative purposes only and forming no part of the claimed design;
FIG. 2 is a front elevational view thereof with the broken line structure being for illustrative purposes only and forming no part of the claimed design;
FIG. 3 is a rear side elevational view thereof with the broken line structure being for illustrative purposes only and forming no part of the claimed design;
FIG. 4 is a left side elevational view thereof;
FIG. 5 is a right side elevational view thereof;
FIG. 6 is a bottom plan view thereof; and,
FIG. 7 is a top plan view thereof.

- [56] **References Cited**
- U.S. PATENT DOCUMENTS**
- D. 122,926 10/1940 Lear D14/234
- D. 213,700 4/1969 Middlemark D14/235
- 2,403,093 7/1946 Lear 343/870
- 2,840,694 6/1958 Morgan 343/702
- 3,833,908 9/1974 Loh 343/741
- FOREIGN PATENT DOCUMENTS**
- 58625 4/1941 Denmark 343/867
- 293651 1/1916 Germany 343/866

1 Claim, 5 Drawing Sheets



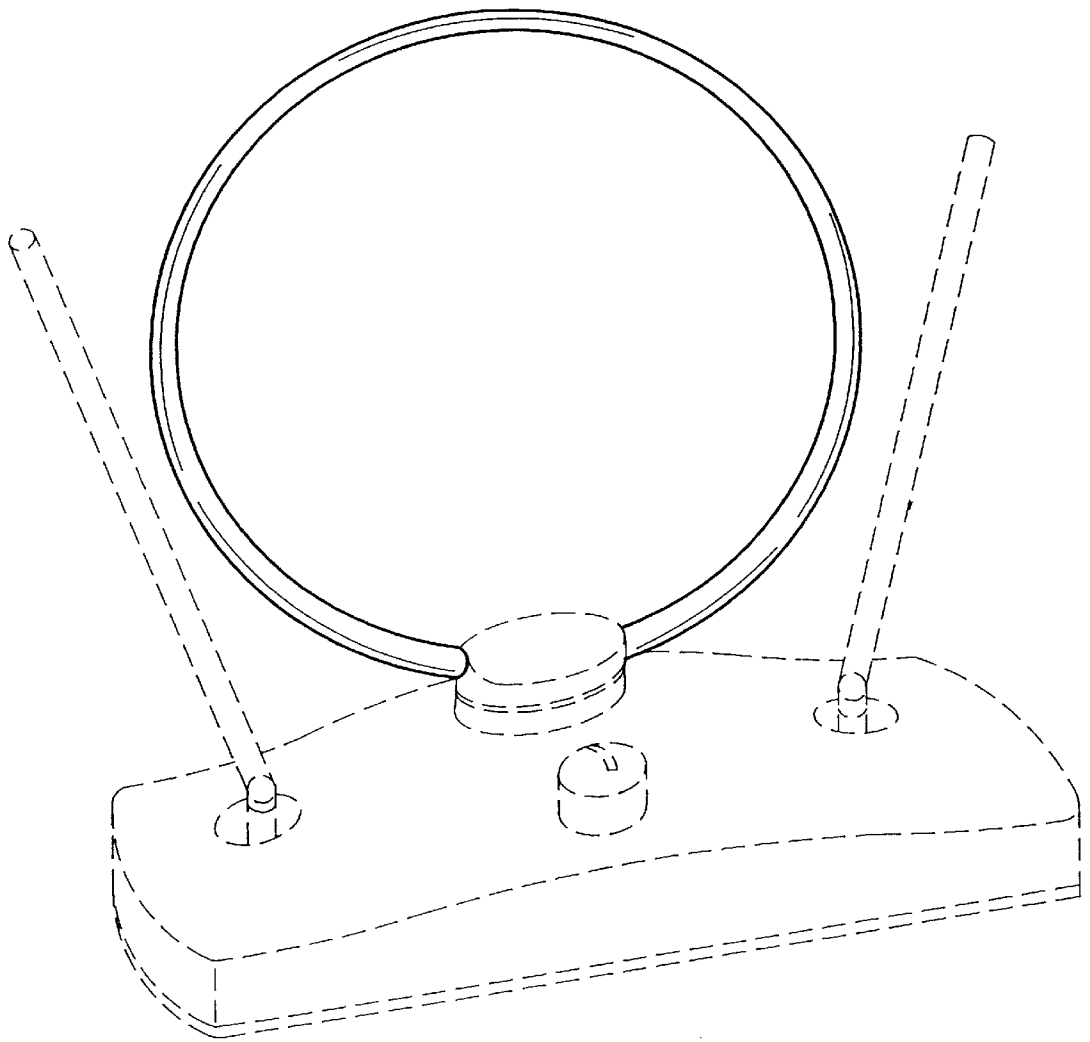


FIG. 1

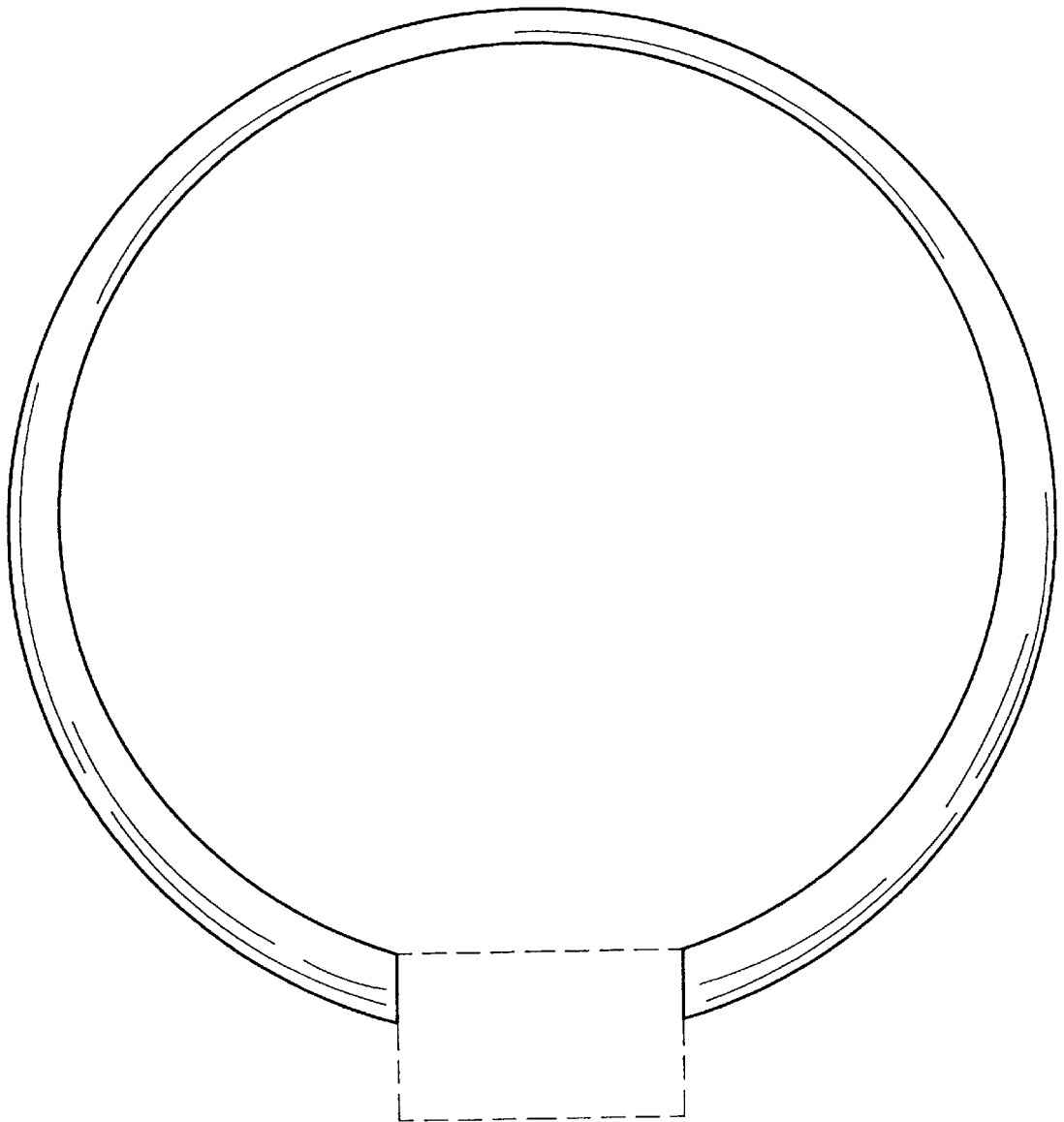


FIG.2

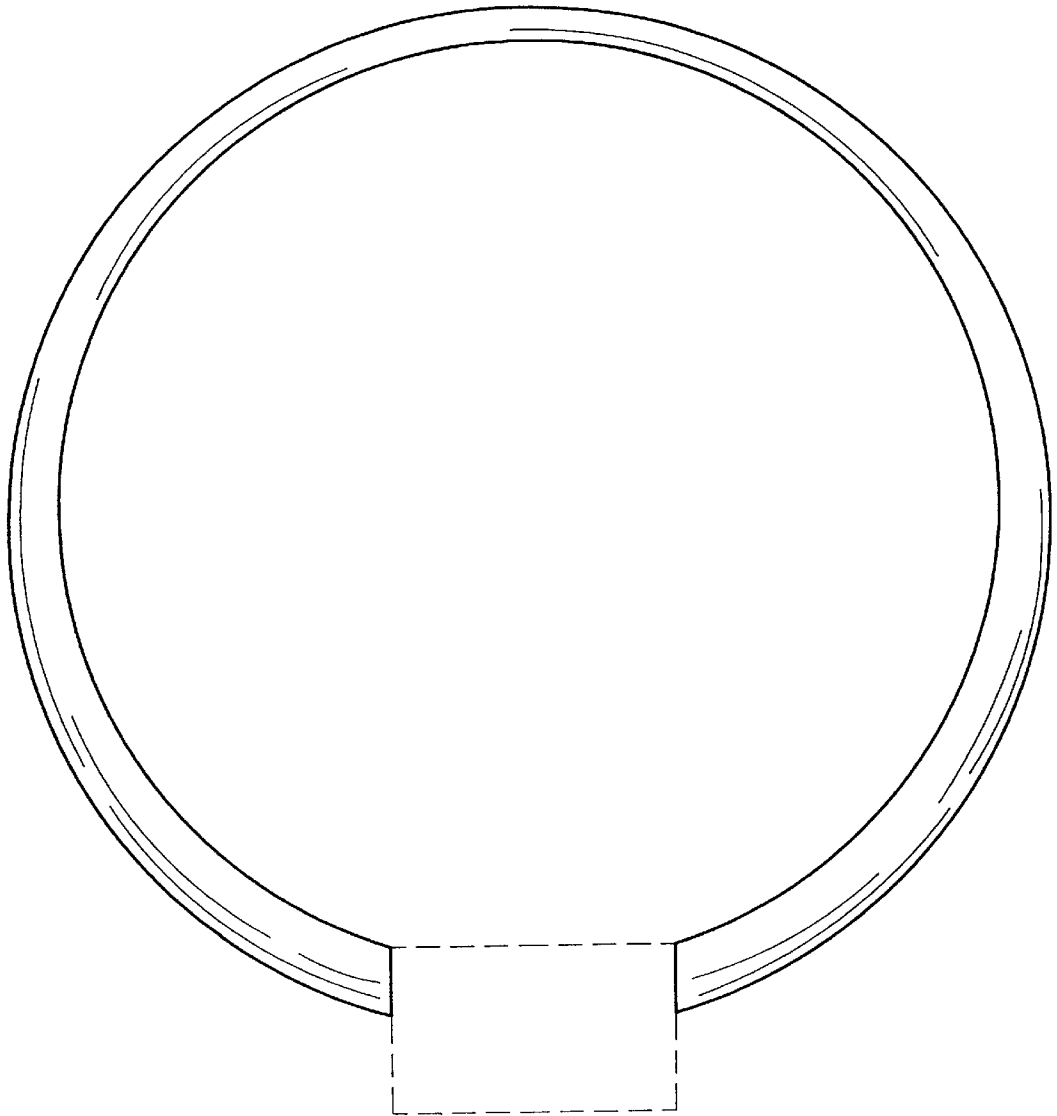


FIG. 3

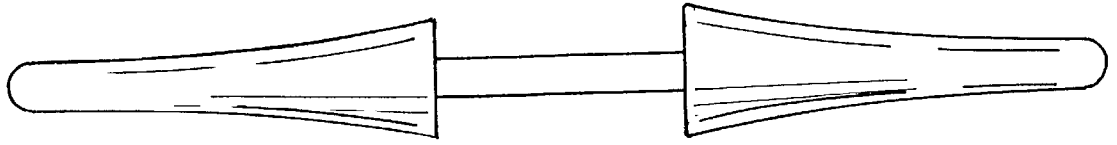


FIG. 6



FIG. 4

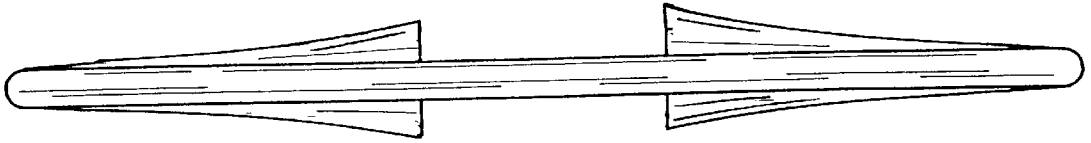


FIG. 7

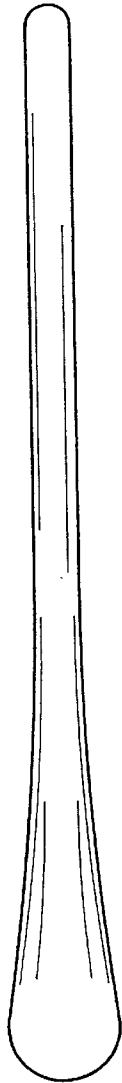


FIG. 5