



US00D642212S

(12) **United States Design Patent**  
**Terenzio et al.**

(10) **Patent No.:** **US D642,212 S**

(45) **Date of Patent:** **\*\* Jul. 26, 2011**

(54) **PRINTER**

(75) Inventors: **Dennis M. Terenzio**, Boise, ID (US);  
**Kevin L. Falk**, Boise, ID (US); **Chet**  
**Butikofer**, Boise, ID (US)

(73) Assignee: **Hewlett-Packard Development**  
**Company, L.P.**, Houston, TX (US)

(\*\*) Term: **14 Years**

(21) Appl. No.: **29/343,636**

(22) Filed: **Sep. 16, 2009**

(51) **LOC (9) Cl.** ..... **14-02**

(52) **U.S. Cl.** ..... **D18/55**

(58) **Field of Classification Search** ..... D18/36-39,  
D18/50, 54, 54.1, 55; D14/315, 327, 420-425,  
D14/463-470; 400/613, 613.1-613.4, 690,  
400/690.1-690.4, 691-694

See application file for complete search history.

(56) **References Cited**

**U.S. PATENT DOCUMENTS**

D516,081 S *	2/2006	Takimoto	.....	D14/463
D532,043 S	11/2006	Park et al.		
D537,109 S *	2/2007	Mizusugi et al.	.....	D18/39
D573,633 S	7/2008	Laidlaw et al.		
D574,886 S *	8/2008	Mase et al.	.....	D18/55
D575,330 S *	8/2008	Egami et al.	.....	D18/55

D576,203 S	9/2008	Laidlaw et al.		
D577,763 S *	9/2008	Hidaka et al.	.....	D18/39
D579,490 S	10/2008	Laidlaw et al.		
D579,973 S *	11/2008	Park et al.	.....	D18/55
D581,976 S *	12/2008	Park et al.	.....	D18/55
D589,550 S *	3/2009	Clark, III	.....	D18/39
D613,792 S *	4/2010	Suzuki et al.	.....	D18/55
D614,235 S *	4/2010	Nakata	.....	D18/55
D626,587 S *	11/2010	Ishio et al.	.....	D18/39

\* cited by examiner

*Primary Examiner* — Cathy A MacCormac

(57) **CLAIM**

The ornamental design for a printer, as shown and described herein.

**DESCRIPTION**

FIG. 1 is a front, top, and right side perspective view of a printer;

FIG. 2 is a front elevational view thereof;

FIG. 3 is a rear elevational view thereof;

FIG. 4 is a top plan view thereof;

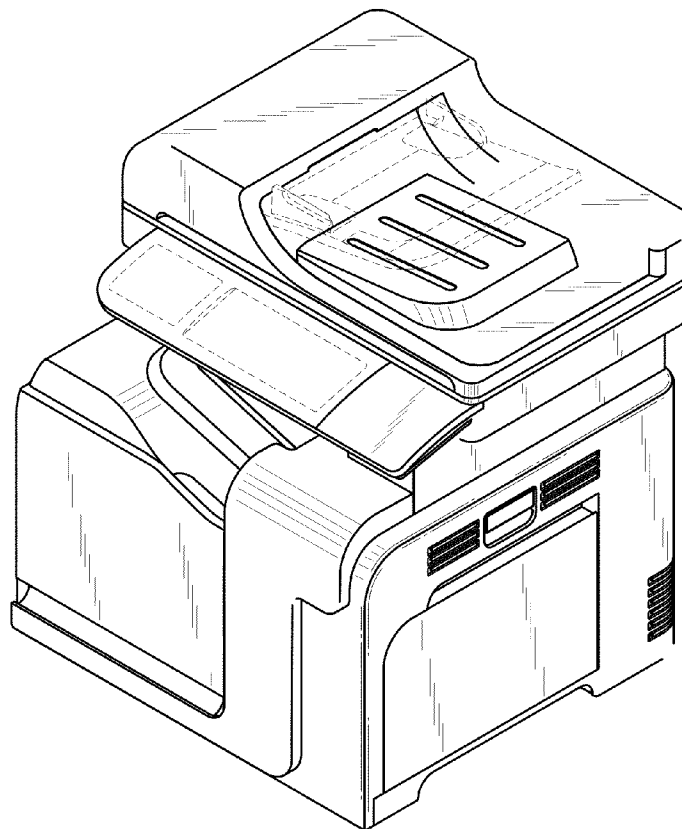
FIG. 5 is a bottom elevational view thereof;

FIG. 6 is a right elevational view thereof; and,

FIG. 7 is a left elevational view thereof.

Those portions of the Figures shown in broken lines are included for illustrative purposes only and form no part of the claimed design.

**1 Claim, 7 Drawing Sheets**



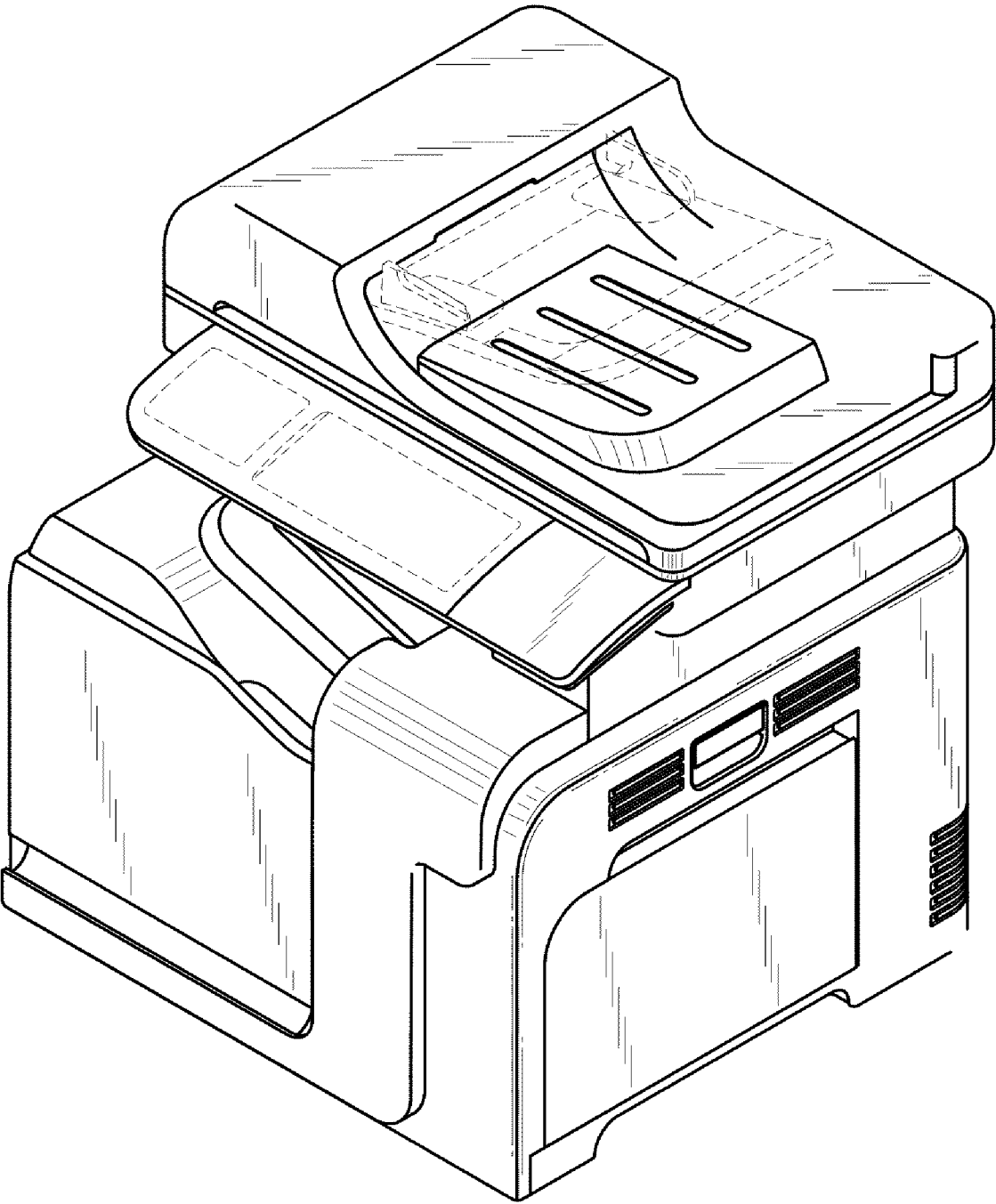
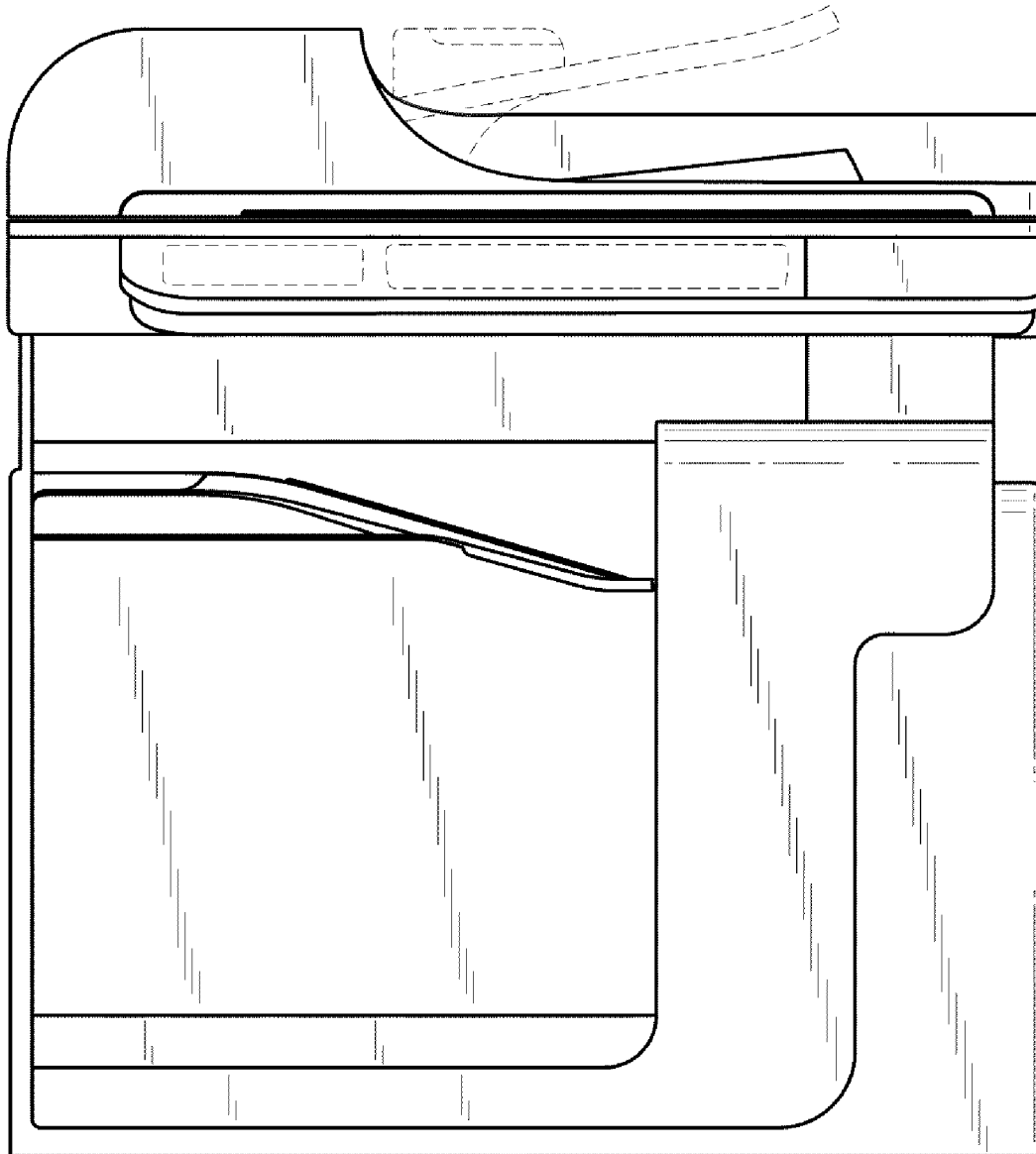
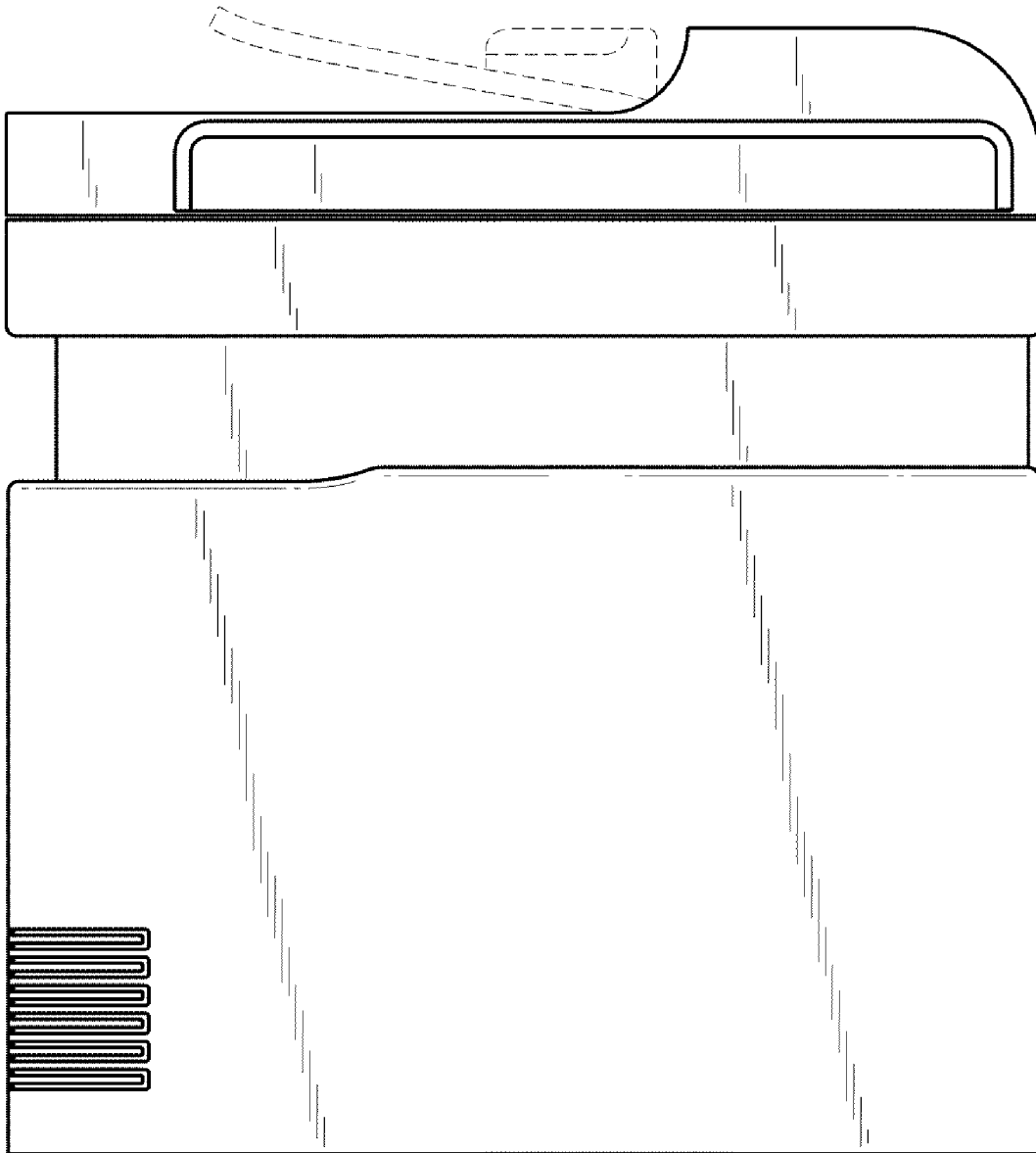


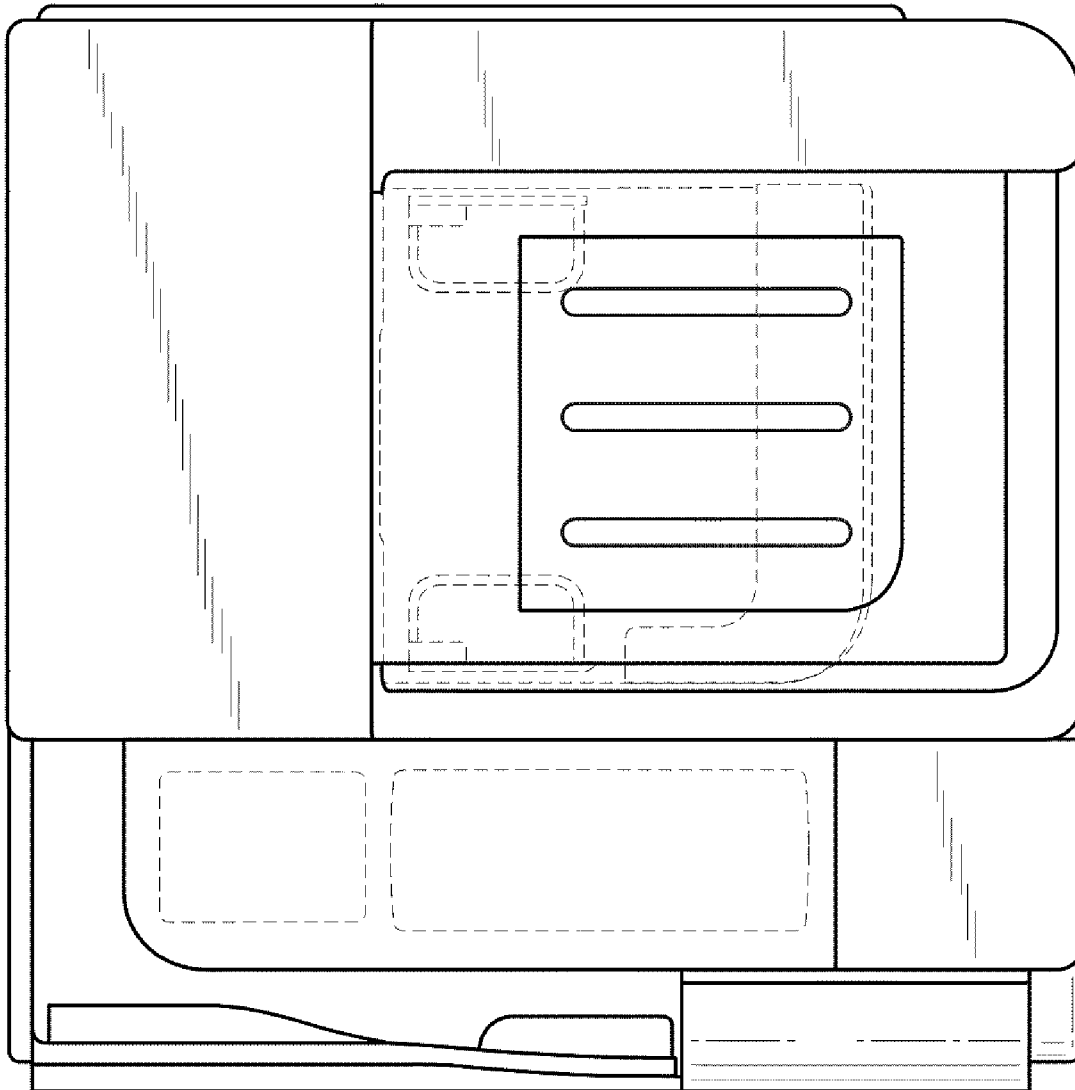
Fig. 1



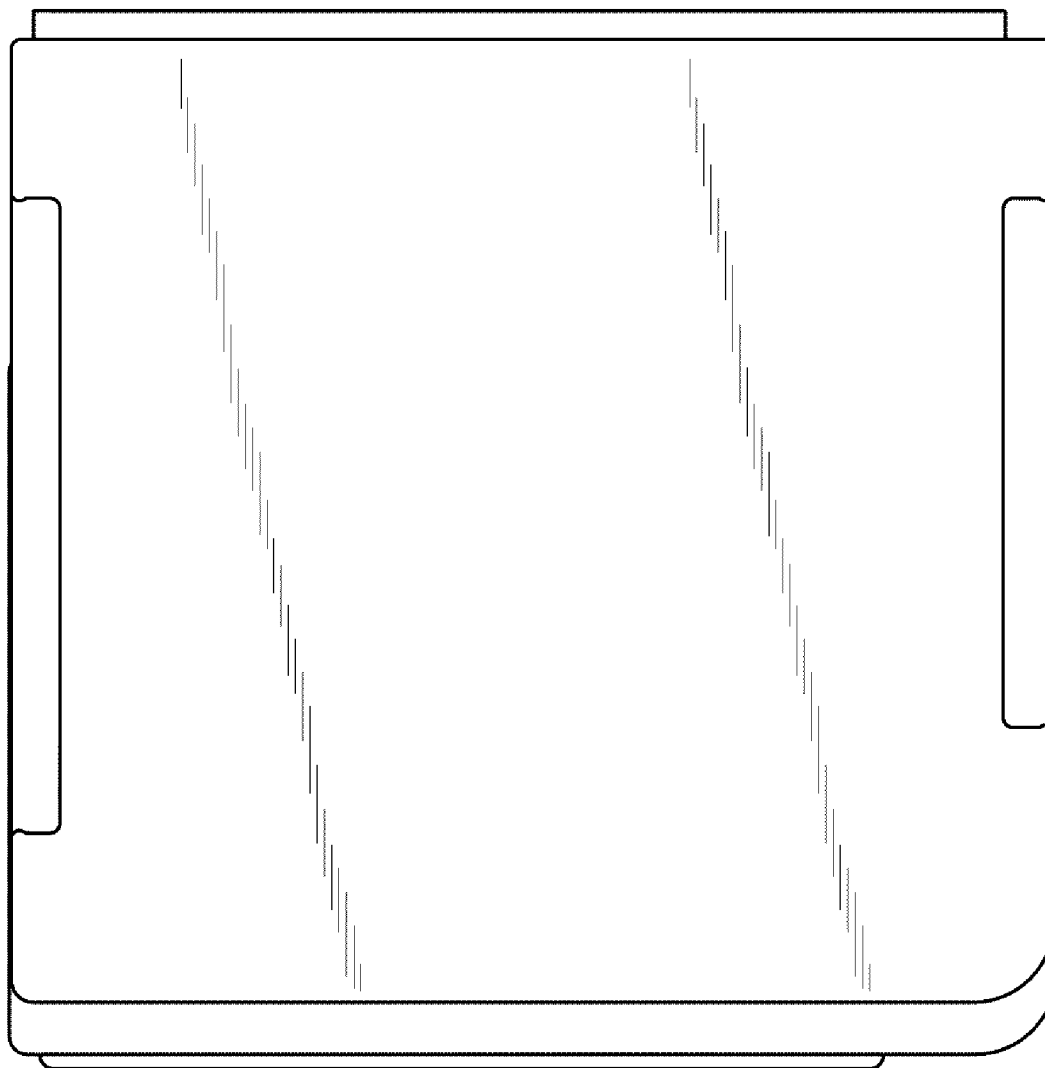
**Fig. 2**



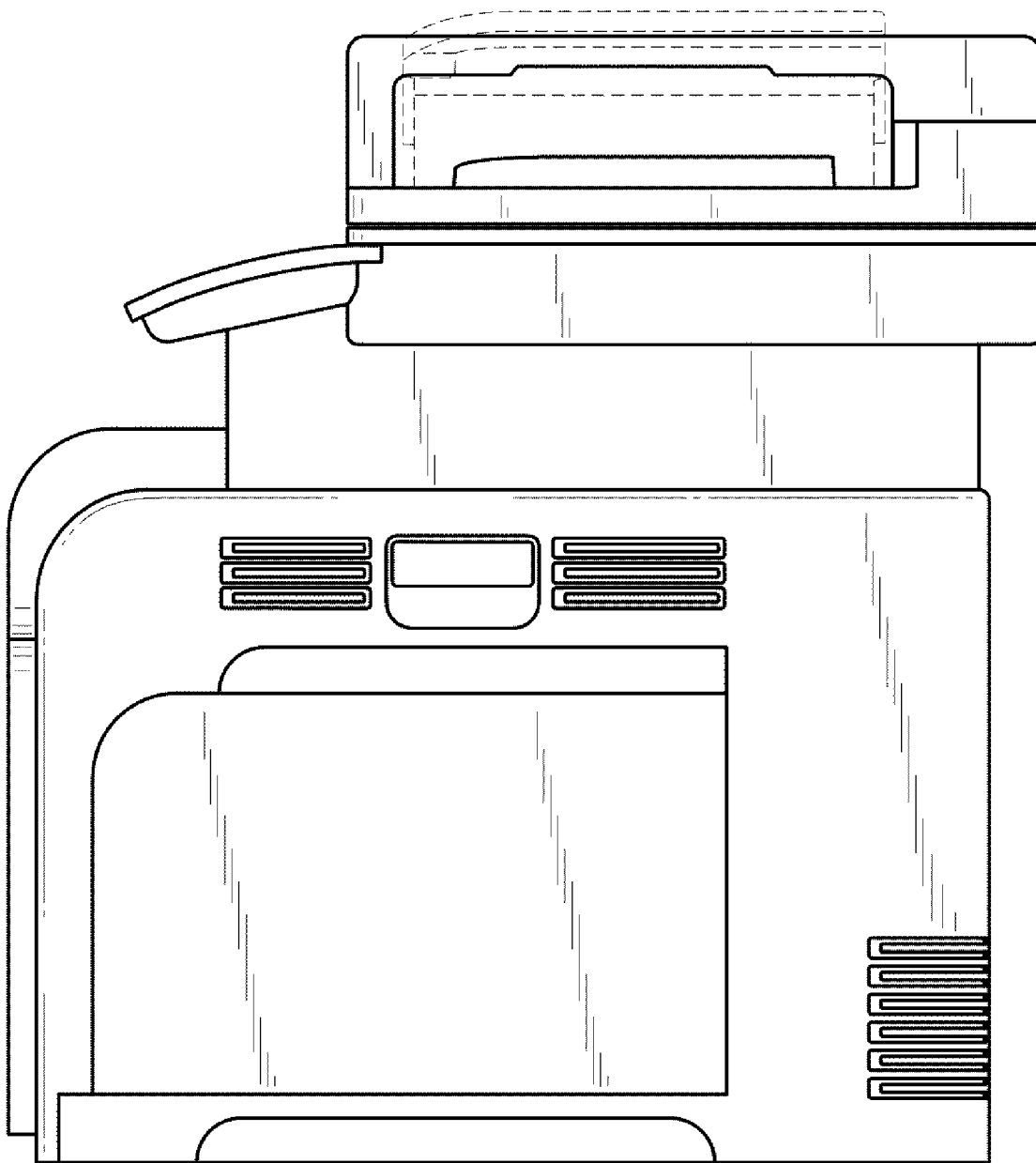
**Fig. 3**



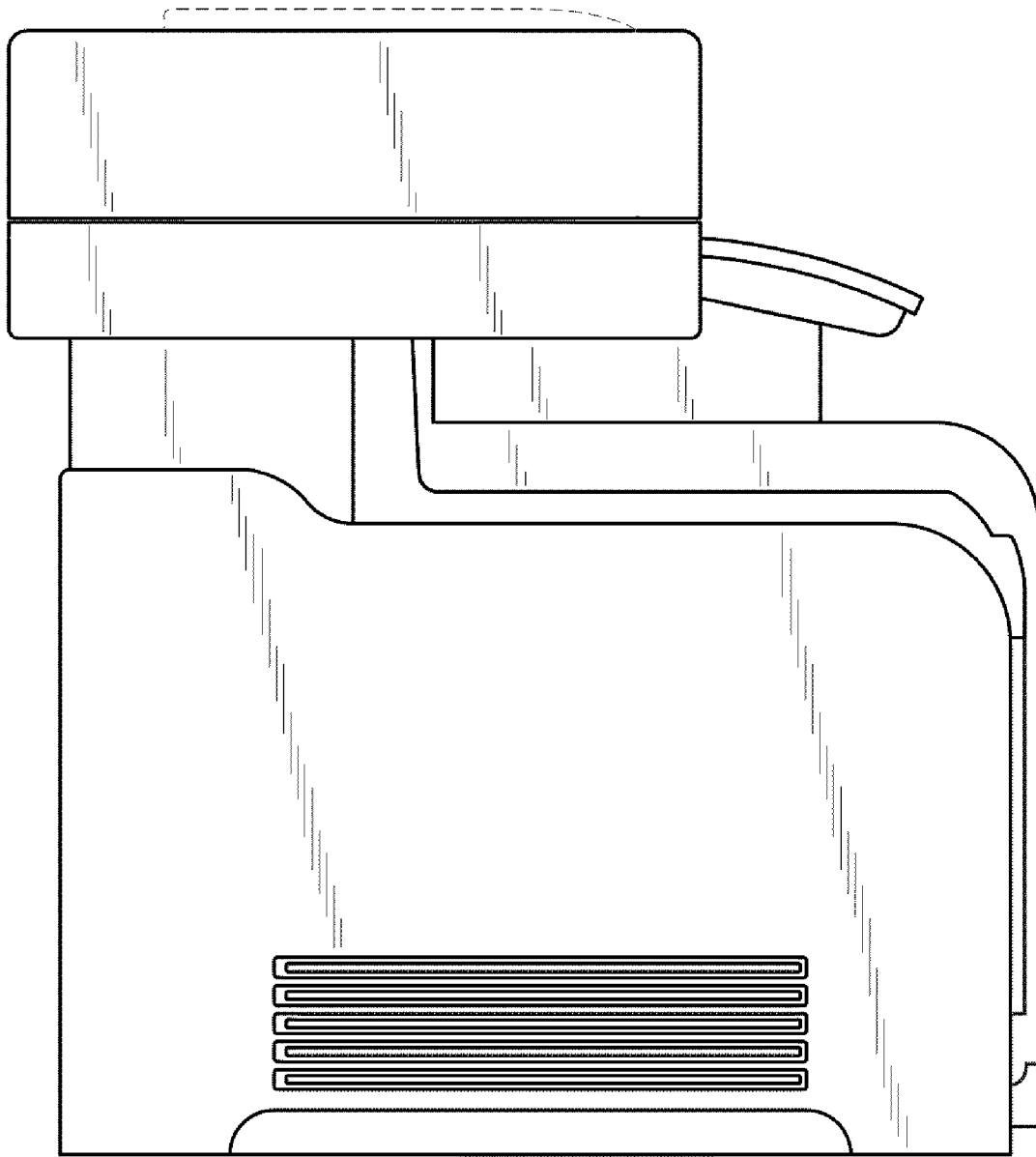
**Fig. 4**



**Fig. 5**



**Fig. 6**



**Fig. 7**