

(19) World Intellectual Property Organization  
International Bureau



(43) International Publication Date  
22 March 2012 (22.03.2012)

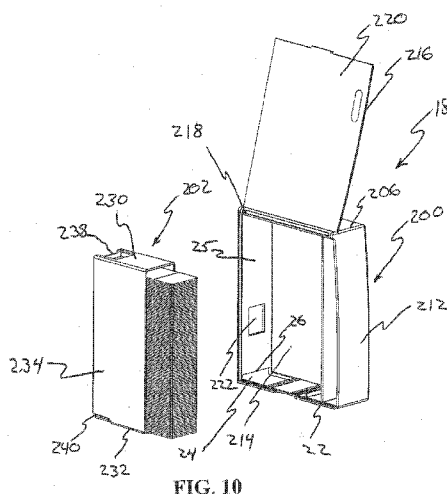
(10) International Publication Number  
**WO 2012/036874 A2**

- (51) **International Patent Classification:**  
*G01N 35/00* (2006.01) *B41J 3/00* (2006.01)  
*G01N 1/28* (2006.01)
- (21) **International Application Number:**  
PCT/US2011/049380
- (22) **International Filing Date:**  
26 August 2011 (26.08.2011)
- (25) **Filing Language:** English
- (26) **Publication Language:** English
- (30) **Priority Data:**  
61/382,193 13 September 2010 (13.09.2010) US
- (71) **Applicant (for all designated States except US):**  
**PRIMERA TECHNOLOGY, INC.** [US/US]; Two Carlson Parkway North, Minneapolis, Minnesota 55447-4446 (US).
- (72) **Inventors; and**
- (75) **Inventors/Applicants (for US only):** **HAAS, Darren W.** [US/US]; 4132 Victoria Street, Minnetonka, Minnesota 55345 (US). **CUMMINS, Robert, P.** [US/US]; 18850 Northome Blvd., Deephaven, Minnesota 55391 (US).
- (74) **Agents:** **LINDER, Walter C.** et al.; 2200 Wells Fargo Center, 90 South Seventh Street, Minneapolis, Minnesota 55402 (US).

- (81) **Designated States (unless otherwise indicated, for every kind of national protection available):** AE, AG, AL, AM, AO, AT, AU, AZ, BA, BB, BG, BH, BR, BW, BY, BZ, CA, CH, CL, CN, CO, CR, CU, CZ, DE, DK, DM, DO, DZ, EC, EE, EG, ES, FI, GB, GD, GE, GH, GM, GT, HN, HR, HU, ID, IL, IN, IS, JP, KE, KG, KM, KN, KP, KR, KZ, LA, LC, LK, LR, LS, LT, LU, LY, MA, MD, ME, MG, MK, MN, MW, MX, MY, MZ, NA, NG, NI, NO, NZ, OM, PE, PG, PH, PL, PT, QA, RO, RS, RU, SC, SD, SE, SG, SK, SL, SM, ST, SV, SY, TH, TJ, TM, TN, TR, TT, TZ, UA, UG, US, UZ, VC, VN, ZA, ZM, ZW.
- (84) **Designated States (unless otherwise indicated, for every kind of regional protection available):** ARIPO (BW, GH, GM, KE, LR, LS, MW, MZ, NA, SD, SL, SZ, TZ, UG, ZM, ZW), Eurasian (AM, AZ, BY, KG, KZ, MD, RU, TJ, TM), European (AL, AT, BE, BG, CH, CY, CZ, DE, DK, EE, ES, FI, FR, GB, GR, HR, HU, IE, IS, IT, LT, LU, LV, MC, MK, MT, NL, NO, PL, PT, RO, RS, SE, SI, SK, SM, TR), OAPI (BF, BJ, CF, CG, CI, CM, GA, GN, GQ, GW, ML, MR, NE, SN, TD, TG).

**Published:**  
— without international search report and to be republished upon receipt of that report (Rule 48.2(g))

(54) **Title:** CARTRIDGE FOR HISTOLOGICAL SPECIMEN SLIDES



(57) **Abstract:** A cartridge for histological specimen slides includes a generally enclosed body and a slide holder. The body is configured for removable insertion into a specimen slide printer, and includes a slide holder receiving opening and a slide feed opening. The slide holder holds a plurality of specimen slides and is configured to be positioned within and removed from the body through the slide holder receiving opening. When loaded in the body the slide holder positions and presents the slides to the slide feed opening in the body. A memory chip for storing information relating to the slides can be mounted to the holder, and is located adjacent an access opening in the body when the holder is positioned in the body.

WO 2012/036874 A2

## CARTRIDGE FOR HISTOLOGICAL SPECIMEN SLIDES

### BACKGROUND

The invention is a cartridge for holding histological specimen slides.

Printers for printing information on containers such as slides used to process histological specimens (e.g., tissue biopsies) are generally known and commercially available. Tubes or trays are sometimes used to contain the slides loaded into the printers.

There remains a continuing need for improved containers for specimen slides used in histological slide printers. In particular, there is a need for containers that are efficient to use and operate, that are capable of storing the slides in a debris-free environment, and that enable information to be accurately printed on the slides.

### SUMMARY

A cartridge for histological specimen slides includes a generally enclosed body and a slide holder. The body is configured for removable insertion into a specimen slide printer, and includes a slide holder receiving opening and a slide feed opening. The slide holder holds a plurality of specimen slides and is configured to be positioned within and removed from the body through the slide holder receiving opening. When loaded in the body the slide holder positions and presents the slides to the slide feed opening in the body. A memory chip for storing information relating to the slides can be mounted to the holder, and is located adjacent an access opening in the body when the holder is positioned in the body.

### BRIEF DESCRIPTION OF THE DRAWINGS

FIG. 1 is a top sectional view of a histological specimen slide printing system in accordance with one embodiment of the invention, taken on line 1-1 in FIG. 2

FIG. 2 is a sectional view of the slide printing system shown in FIG. 1, taken on line 2-2 in FIG. 1.

FIG. 3 is a top plan view of a slide printed in accordance with one embodiment of the invention by the printing system shown in FIG. 1.

FIG. 4 is a block diagram of an operational sequence that can be used with the printing system shown in FIG. 1.

FIG. 5 is a side view of the printing system shown in FIG. 1, with a cover carrying the printer in an open position.

FIG. 6 is a front end view of the printing system shown in FIG. 1, with the slide cartridge removed.

FIG. 7 is an isometric view of the slide cartridge shown in FIG. 1.

FIG. 8 is an isometric view of a print ribbon that can be used in the printing system shown in FIG. 1.

FIG. 9 is an isometric view of the printing system shown in FIG. 1 with the cover open.

FIG. 10 is an exploded isometric view of a slide cartridge in accordance with one embodiment of the invention.

FIG. 11 is an isometric view of the cartridge shown in FIG. 10 with the slide holder positioned in the body and the access cover open.

FIG. 12 is an isometric view of the cartridge shown in FIG. 10 with the access cover closed.

FIG. 13 is a plan view of the bottom of the cartridge shown in FIG. 10.

FIG. 14 is a plan view of an end of the cartridge shown in FIG. 10, showing the inner wall.

FIG. 15 is an isometric view of the slide holder of the cartridge shown in FIG. 10.

FIG. 16 is a plan view of an end of the slide holder shown in FIG. 15, showing the inner wall.

FIG. 17 is an isometric view of the slide holder shown in FIG. 15.

FIG. 18 is an isometric view of the slide holder shown in FIG. 15, with slides loaded in the holder.

FIG. 19 is an isometric view of the slide holder shown in FIG. 15, with slides loaded in the holder.

#### DETAILED DESCRIPTION

A histological specimen slide cartridge 18 in accordance with one embodiment of the invention is shown in FIGS. 1-2, 6-7 and 10-19. Slide cartridge 18 can be used in connection with a color slide printing system 10 shown generally in FIGS. 1-5. The slide

printing system 10 includes an outer cabinet 12 in which components are mounted, and the cabinet includes a cross support wall 14 extending between and suitably supported on side walls 16. The side walls 16 are used for rotatably supporting various drive rollers and other components. Medical slide cartridge 18 (also sometimes referred to as a cassette or magazine) is a rectangular container that holds a plurality of individual slides 100. The slides 100 can be of a desired type, and can be clear or opaque and they will have a finish on at least portions of one surface that will accept ink from a thermal printer that has a multi-colored ribbon. A frosted finish in the area to be printed is suitable.

The cartridge 18 is a self-contained unit that can be loaded with slides 100 from the bottom or can have a suitable access cover, and it can be slid in and out of the outer printer housing 12 through a provided opening, and between side guides (FIG. 1) and rested on the support wall 14. As can be seen, the cartridge size is selected to support a number of slides 100 in a stack (usually 100), and the bottom wall 22 of the cartridge 18 has a feed opening 24 defined therein formed, by terminating the bottom wall 22 so it is spaced from an inner or infeed end wall 25. The end wall 25 is terminated with a bottom edge 26 spaced slightly above the top plane of the bottom wall 22, so that when a cartridge 18 is positioned in the print housing, as shown in FIG. 2, an input feed roller 28 will support the bottommost slide 100 (the roller 28 projects above wall 14), and hold the end of the slide position so that the bottom slide will clear the bottom edge 26. The input feed roller 28 will withdraw the bottom slide 100 through the opening 24 when the feed roller is powered.

The input feed roller 28 is driven by a suitable motor 32 from a central control system 34 which comprises a microcontroller that can be programmed for sequencing the various components being controlled in a desired manner and which coordinates the printing on the slide 100 for identification.

Provided slide guides 35 will support a slide 100 after it is moved by the input feed roller 28 underneath the wall edge 26, and the input feed roller 28 will provide an impetus to move the slide along the guides 35 until it is grasped by drive rollers indicated at 38 and 40. At least one of the drive rollers, for example drive roller 40 is driven by a motor 42 that is also controlled by the control system 34. The slide 100 being fed is grasped between the drive rollers 38 and 40 and is moved across a slide position sensor 37 onto a

printer printhead platen roller 46 that is driven by a motor 48 from control system 34. The slide position sensor 37 provides a position signal to control system 34 so the drive rollers 38 and 40 are driven to properly position the slide 100 relative to the printhead.

Printhead platen roller 46 is independently mounted between the side walls 16 of the housing, and above the platen roller there is a thermal printer indicated at 50 that includes a thermal printhead 52 that will print on an upper surface of a slide, for example, the slide 100A shown in FIG. 2 between the drive rollers 70 and 72 and supported on the printhead platen roller 46. The printer 50 is carried on a cover 49 that can be opened as shown in FIG. 5, and the printer is supported on the cover 49 for movement toward and away from printhead platen roller 46 when the cover 49 is closed. A lever 51 is pivoted at a pivot 51A and has an end finger 51B that engages a crossbar on the printer 50 frame. A cam 53 is positioned to act on a cam follower 51C on the lever 51 to lift the printer and printhead when the cam is rotated by a motor 55. The motor 55 is controlled by control system 34.

The slide 100A is moved beneath a multi-color thermal print ribbon indicated at 54 which is fed from a ribbon supply roller 56 mounted between the side walls 16 and which passes under the printhead 52. The print ribbon supply roller is driven by a suitable motor 59. The ribbon 54 is a known ribbon with blocks of heat transferable color along its length in a known sequence, namely yellow (Y), magenta (M), cyan (C) and black (K). The ribbon 54 passes across a print ribbon sensor 58 that provides signals indicating the start of each block of color on the ribbon to the control system 34. Guide rollers 57 are also provided for the ribbon 54 between the supply roller 56 and the printhead 52. The ribbon 54, after it has been used for printing onto the slide 100A, is taken up on a print ribbon take up roller 62, that can be driven with a suitable motor 64 controlled by the control system 34.

Prior to printing, the printhead 52 is raised by operating cam 53 to lift the printer and the slide 100A will be moved forwardly toward a pair of drive rollers 70 and 72 again, at least one of which is driven, for example by schematically illustrated motor 74 coordinated with the control system 34. It should be noted that while individual drive motors for the feed rollers and platen roller are shown for illustration purposes, the rollers

that are timed or coordinated can be driven by one motor and a gear train shown generally at 71 in FIG. 5.

As the slide 100A is printed (as shown in FIG. 1), it should be understood that it will be moved back and forth by drive rollers 70 and 72 and platen roller 46 under control of the control system 34. Printing occurs adjacent one end of the slide as shown in FIG. 3 so the drive rollers 70 and 72 are usable for moving the slide 100A while it is being printed on. The printhead 52 has enough lateral width so that the printing can take place along the lateral width of the slide wide enough to include the information necessary. The printhead 52 is lifted when needed for moving the slide 100A to reposition it.

After the slide 100A has been printed by printing a colored bar 90 (See FIG. 3), a bar code 92 and identification text 94, the slide is driven through the drive rollers 70 and 72 under the power of motor 74, and it is dropped into a storage facility. In this form, the printed slide is dropped onto a conveyor belt 76 that is mounted over first and second end rollers 78 and 80. The end of the conveyor supported by roller 80 is located back underneath the slide cartridge 18. The roller 80 can be driven by a suitable motor 82 controlled by the control system 34, or can be driven by the gear train 71.

The printed slides carried on the upper length of the conveyor belt 76 will be dropped into a slide output tray or bin 84 that is mounted in a suitable manner at an incline underneath the slide holder cartridge 18. The slides that have been printed have been shown at 86 in a stack.

The cartridges 18 could be loaded with different types of slides if desired, for example, if a party wanted to use colored slides with a monochrome ribbon instead of color ribbon with white or clear slides, the slide cartridge allows the user to easily switch slide colors without handling the slides. Multiple cartridges could be used to store multiple colors, which can be easily identified and switched while keeping them dust and fingerprint free.

In use, the administrator of the company that was using the slide identification system of the present disclosure would set up some variables for their system, for example, an automated color selection where a particular color identifies a particular tissue. For example, liver tissue could be blue; kidney tissue could be green; heart tissue could be red; lung tissue could be black and so on. The data input 33 into the software of

the control system 34 can be manually input or read from another source, and used to identify the type of slide that was to be printed, and also for each particular slide the data would include in the software the text that was to be printed and the identification bar code that is to be printed on the slide. Then, the software would automatically select the slide identification color, based on the input data and the printhead would be operated to print the strip or identifying block 90 on the one end portion of the slide such as that shown in FIG. 3, and then the data relating to the specimen that would be placed on the slide is printed as text 94 and bar code 92 for identification. This can be done in a black color, so the slide information would be in two colors.

The thermal printer permits the color identifier bar or block 90 to be printed easily in a selected color and then the information about the tissue sample on the slide can be printed in a different color, such as black.

The ability to print the identifying color for the type of tissue that would be placed on the slide at the same time that the bar code is placed on eliminates errors in identifying the color code to be used.

FIG. 3 illustrates a typical slide 100A after printing and mounting a specimen thereon having the identifying color bar 90 shown in one portion of the slide and the printed data 94, including a bar code 92 that is printed in black and adjacent to the color bar and with a specimen 96 that is keyed to the information on the slide mounted on the slide. The specimen 96 can be covered by a slip cover 98 and retained on the slide in a known manner where desired.

FIG. 6 is a front end view of one embodiment of the the printing system 10, with slide cartridge 18 removed from the cabinet 12 to show the cartridge receiving area 31. As shown, an electrical contact 23 is mounted on a wall 27 at the back of the cartridge receiving area 31. The electrical contact 23 is coupled to the control system 34. FIG. 7 is an illustration of a slide cartridge 18 with its access cover 19 open and showing the slides 100 stacked therein. The illustrated embodiment of the cartridge 18 has a memory chip 43 mounted to its back wall. The memory chip 43 is mounted to the cartridge 18 at a position that will enable the memory chip to electrically contact or otherwise be coupled for data transfer with the electrical contact 23 on the printing system 10 when the cartridge is inserted into the enclosure 12.

FIG. 8 is an illustration of a print ribbon assembly 61 that can be used with the slide printing system 10. As shown, the print ribbon assembly 61 includes supply spool 63, take-up spool 65, and multi-color thermal ink ribbon 54. The composition of thermal ink ribbons such as 54 is generally known. As described above, in one embodiment of the invention the ribbon 54 has a plurality of primary color ink blocks (e.g., yellow, magenta and cyan) and black ink blocks (not separately shown in FIG. 8) spaced in repeating sequences along its length. Rotatably mounted to the supply spool 63 is a hub 67. A print ribbon memory chip 69 is mounted to the hub 67 in this embodiment. FIG. 9 illustrates an embodiment of the printing system 10 where the print ribbon supply hub 45 includes an electrical contact 73 configured for electrical coupling to the memory chip 69 on the supply spool 63. The print ribbon assembly 61 is loaded onto the print ribbon receiving structure by mounting the supply spool 63 to the supply hub 45, and mounting the take-up spool 65 to the take up hub 47. The memory chip 69 on the supply spool 63 is electrically coupled to the ribbon supply chip contact 73 when the supply spool 63 is mounted to the supply hub 45.

When the printing system 10 is switched ON the control system 34 can access information on the slide cassette memory chip 43 through electrical contact 33, and can access information on the ribbon supply memory chip 69 through the electrical contact 73. Information stored on the slide cassette memory chip 43 can include, for example, one or more of slide type and the number of slides remaining in the cartridge 18. Similarly, information stored on the ribbon supply memory chip 69 can include ribbon type, the number of images remaining on the ribbon 54, production date and/or batch no. Other or additional types of information can be stored on memory chips 43 and 69 in other embodiments. Information on the memory chips 43 and 69 is used to control the operation of printing system 10, and can be updated after print operations. For example, if the information on memory chips 43 or 69 indicates that the supply of slides or ribbon is exhausted, the control system 34 will not execute a requested print operation. Information stored on memory chips 43 or 69 representative of the number of remaining slides and the number of images remaining on the ribbon 54 can be updated following each print operation. If the types of slides and print ribbon loaded into the printer are not compatible,



the unsuitable combination can be identified and an informational message can be provided and/or printing can be discontinued to reduce errors.

In summary, the printer will have an input area that holds unprinted slides with a frosted area (typically white) used to record data. The slides will be contained in a cartridge that will hold slides. An input feed roller will drive one slide out of the cartridge and move it towards the printhead. A slide position sensor will locate the slide as it exits the cartridge and allow the controls to control the drive rollers to precisely locate the printable area of the slide under the printhead. The ribbon drive motor will then advance the multiple color panel ribbon until the leading edge of the first color panel of the sequence (typically yellow in a YMCK ribbon) is positioned under the printhead as well. A ribbon sensor detects the transition between the color blocks on the ribbon and allows the control system to indicate to the printer the location of each color block on the ribbon relative to the printhead. When both the slide and the ribbon are in the proper location, the printhead will be lowered and the drive rollers and the platen roller will advance the slide as the first color panel is printed. The printhead will be raised by a cam, the slide will back up until the leading edge is under the printhead and the color ribbon will be advanced until the leading edge of the next panel is under the printhead. Then the printhead will lower and the drive rollers will advance the slide as the second color panel on ribbon is printed. This process will repeat for the remaining color panels. Once all of the color panels have completed printing, the drive rollers will advance the slide until it exits the printhead area and is transferred to a conveyor belt which will move the slide to the output hopper located on the front of the machine directly under the input cartridge.

The data for the slide can either be manually entered at a computer or a histology tissue cassette with a bar code containing all pertinent information that can be scanned to obtain the required data to be reprinted on slides.

The sequence of operations in FIG. 4 shows the steps in the process using the colored ribbon for printing.

The printing system includes a cartridge for holding a number of medical slides or histological slides on which tissue samples or other medical samples are to be placed, and which will be provided to a printer that will print in color on the slide for further identification of the class of tissue or sample that is to be placed onto the slide, as well as

printing information about the specimen on the slide. This includes printing a bar code and/or text containing the data necessary for use of the slide, such as case number, patient name, year, issue class, priority rating etc. The slides will be prepared with an ink receptive surface, such as frosting the areas where there will be printing.

The slides are loadable in a cartridge so that they can be handled without getting fingerprints or other debris on the slides themselves, and multiple cartridges can be used, each to store slides for a different classification of specimens to be mounted on slides. The cartridges then can be easily identified as to the class of the specimen and the cartridge switched while keeping the slides dust and fingerprint-free.

The printer utilizes a series of drive rollers for carrying slides individually from the cartridge, and feeding them into a print station that includes a platen roller that supports the slide for printing and a printhead that prints the information on a surface opposite from the platen roller. The slide can be moved back and forth by suitable drive rollers for multi-color printing, or black and white printing, and when the information has been printed into the slide, the slide is removed from the print station (the printhead is lifted away from the slide as it is moved for printing and out of the print station) and then the slide is transferred to an output bin. The finished slide transfer device includes a conveyor belt that will receive the slides and transport the printed slides to a bin. Other types of storage can be provided as well.

The printhead is controlled by suitable software that will print an identifying color mark, in a bar or strip form onto the slide, and then the data that is required, including a text and the bar code for identification is printed on the slide, and this is generally done in black printing. A control system is used for coordinating various movements with the printing operations, including controlling the lifting and lowering of the printhead, the motors for the slide drive rollers, and the platen roller for multiple pass printing to print the desired identification information on the slide.

Cartridge 18 can be described in greater detail with reference to FIGS. 10-19. As shown, cartridge 18 includes a body 200 and a slide holder 202. The body 200 is an enclosure configured to releasably slide into the printer, and in the illustrated embodiment includes top wall 206, bottom wall 22, inner end wall 25, outer wall 212 and side walls 214 and 216. Side wall 216 is formed as an access cover 220 and is mounted to top wall

206 by hinge 218. An opening for receiving the slide holder 202 is located in the side wall and can be enclosed by the cover 220. A memory chip access opening 222 is shown in the inner wall 210 in the illustrated embodiment. A slide feed opening 24 extends through the bottom wall 22 and a small portion of the inner wall 25 (i.e., a bottom edge 26 of the inner wall is located slightly above the plane of the bottom wall).

Slide holder 202 is a generally enclosed structure that holds the slides 100. The slide holder 202 is configured to be positioned within and removed from the body 200 through the side wall 216 in the illustrated embodiment, but can be loaded into the body through other locations in other embodiments (not shown). The illustrated embodiment of holder 200 has a top wall 230, bottom wall 232, side walls 234 and 236 and inner end wall 238. A feed opening 240 extends through the bottom wall 232 and a portion of the inner wall 238. When the slide holder 202 is positioned in the body 200, the feed opening 240 in the holder is located adjacent the feed opening 24 in the body to enable slides 100 to be withdrawn from the cartridge 18 by the printer slide feed mechanism. In the illustrated embodiment, the side of the holder 202 opposite the inner wall 238 is open to receive the slides 100 and the length of the holder is less than the length of the slides to enable ends of the slides to extend from the holder (e.g., as shown in FIG. 18). In other embodiments of the invention (not shown), access to the holder for loading the slides 100 is at other locations on the holder (e.g., through the side or top walls).

Memory chip 43 is located on the outside of the inner wall 238 in the illustrated embodiment, at a location where it will be positioned adjacent the access opening 222 in the body 200 when the holder 202 is positioned in the body. The memory chip 43 can thereby be electrically connected to the connector 33 for data communications when the cartridge 18 is inserted into the printer. In other embodiments of the invention (not shown), the memory chip 43 is located at a different position on the slide holder 202.

Cassette 18 provides a number of important advantages. Specimen slides can be handled for convenient loading into the printer while remaining free from debris. Supplies of specimen slides can be shipped in the holder, and loaded into the body by operators of the printer. The memory chip allows the printer to accurately control printer operations.

Although described in connection with embodiments of a thermal printer, those of skill in the art will recognize that the invention can be used with other printers. For

example, other embodiments of the invention can be used in inkjet, laser or other printers. One or more single color ink ribbons can be used instead of the multiple color panel ribbon. The printhead can be a separate printhead for each ink ribbon instead of the single printhead shown in the illustrated embodiment. Any and all of the fields of information on the slides can be printed in any desired color, and the printed color can be selected to represent information such as tissue type and source (e.g., the text and/or bar code can also be printed in color). Printing can also be done in one, two, three or more colors on each slide, with sequentially printed slides having the same or different printed colors. The printer can also be used with other slides, such as slides having a colored printing area.

## CLAIMS

1. A cartridge for histological specimen slides, including:  
a generally enclosed body configured for removable insertion into a specimen slide printer, including:  
a slide holder receiving opening; and  
a slide feed opening; and  
a slide holder to hold a plurality of specimen slides, the slide holder configured to be positioned within and removed from the body through the slide holder receiving opening, and to position and present the slides in the holder to the slide feed opening in the body.
2. The slide cartridge of claim 1 wherein the body further includes a cover over the slide holder receiving opening.
3. The slide cartridge of claim 2 wherein the body further includes a hinge to mount the cover to the body.
4. The slide cartridge of claim 1 wherein:  
the body includes top and bottom walls, inner and outer walls, and side walls; and  
the slide feed opening extends through the bottom wall.
5. The slide cartridge of claim 4 wherein:  
the slide feed opening in the bottom wall is adjacent to the inner wall; and  
the inner wall has an bottom edge above the bottom wall so the slide feed opening extends through a bottom portion of the inner wall.
6. The slide cartridge of claim 5 wherein the slide holder receiving opening is in a side wall of the body.

7. The slide cartridge of claim 6 wherein the body further includes a cover over the slide holder receiving opening.
8. The slide cartridge of claim 5 wherein the slide holder is configured to hold a plurality of vertically stacked specimen slides.
9. The slide cartridge of claim 8 wherein:  
the slide holder is a generally enclosed structure having a slide receiving opening and slide feed opening; and  
the slide feed opening of the slide holder is located adjacent the slide feed opening of the body when the slide holder is positioned in the body.
10. The slide cartridge of claim 9 wherein the slide holder includes top and bottom walls, an inner wall, side walls and a slide receiving opening opposite the inner wall.
11. The slide cartridge of claim 10 wherein a length of the slide holder is less than a length of the slides, so ends of the slides extend from the slide holder when the slides are in the holder.
12. The slide cartridge of claim 10 and further including a memory chip on the inner wall of the slide holder.
13. The slide cartridge of claim 12 wherein the body further includes a memory chip access opening adjacent to the memory chip when the slide holder is positioned in the body.
14. The slide cartridge of claim 1 wherein the slide holder further includes a memory chip.

15. The slide cartridge of claim 14 wherein the body further includes a memory chip access opening adjacent the memory chip when the slide holder is positioned in the body.

16. A cartridge for histological specimen slides, including:  
a body configured for removable insertion into a specimen slide printer, including:  
top and bottom walls, inner and outer walls and side walls;  
a memory chip access opening in one of the walls;  
a slide holder receiving opening in one of the walls; and  
a slide feed opening in the bottom wall; and  
a slide holder configured to hold a plurality of specimen slides and to be positioned within and removed from the body through the slide holder receiving opening, including:  
a bottom wall having a slide feed opening, wherein the slide feed opening is located adjacent the slide feed opening in the body when the slide holder is positioned in the body; and  
a memory chip, wherein the memory chip is located adjacent the memory chip access opening in the body when the slide holder is positioned in the body.

17. The slide cartridge of claim 16 and further includes a plurality of slides in the slide holder.

18. A slide holder for use in connection with a histological specimen slide cartridge of the type also having a body with a slide holder receiving opening and a slide feed opening, the slide holder including an enclosure configured to receive a plurality of specimen slides, to be positioned within and removed from the cassette body through the slide holder receiving opening, and a slide feed opening to position the slides in the holder adjacent the slide feed opening in the body when the slide holder is positioned in the body.

19. The slide holder of claim 18 wherein the slide holder is configured to hold a plurality of vertically stacked specimen slides.
20. The slide holder of claim 19 wherein:  
the slide holder is a generally enclosed structure having a slide receiving opening and a slide feed opening; and  
the slide feed opening of the slide holder is located adjacent the slide feed opening of the body when the slide holder is positioned in the body.
21. The slide holder of claim 20 wherein the slide holder includes top and bottom walls, an inner wall, side walls and a slide receiving opening opposite the inner wall.
22. The slide holder of claim 21 wherein the slide feed opening is on the bottom wall.
23. The slide holder of claim 22 wherein a length of the slide holder is less than a length of the slides, so ends of the slides extend from the slide holder when the slides are in the holder.
24. The slide holder of claim 23 and further including a memory chip on the inner wall of the slide holder.
25. The slide holder of claim 18 and further including a memory chip on the slide holder.
26. The slide holder of claim 18 wherein the memory chip is programmed with information representative of slides in the holder.
27. A method for using the slide holder of claim 18, including reading information from the memory chip and using the information to control a slide printer.



28. The method of claim 27 and further including updating information stored on the memory chip.

29. The slide holder of claim 18 and further including a plurality of slides in the slide holder.

30. A body for use in connection with a histological specimen slide cartridge of the type also having a slide holder for holding a plurality of specimen slides, the body configured for removable insertion into a specimen slide printer and including a slide holder receiving opening for receiving the slide holder and a slide feed opening through which slides from the slide holder can be fed into the printer.

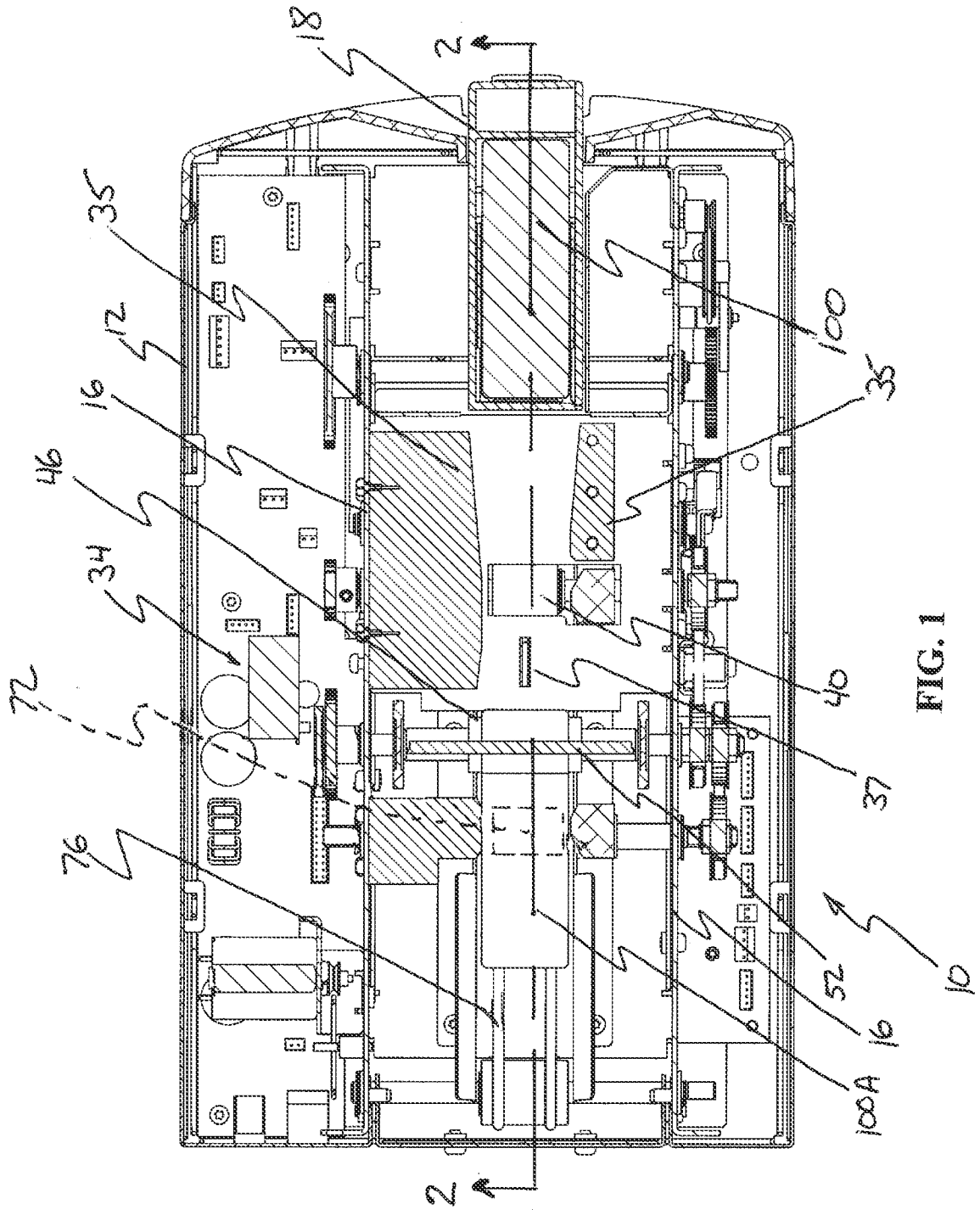


FIG. 1

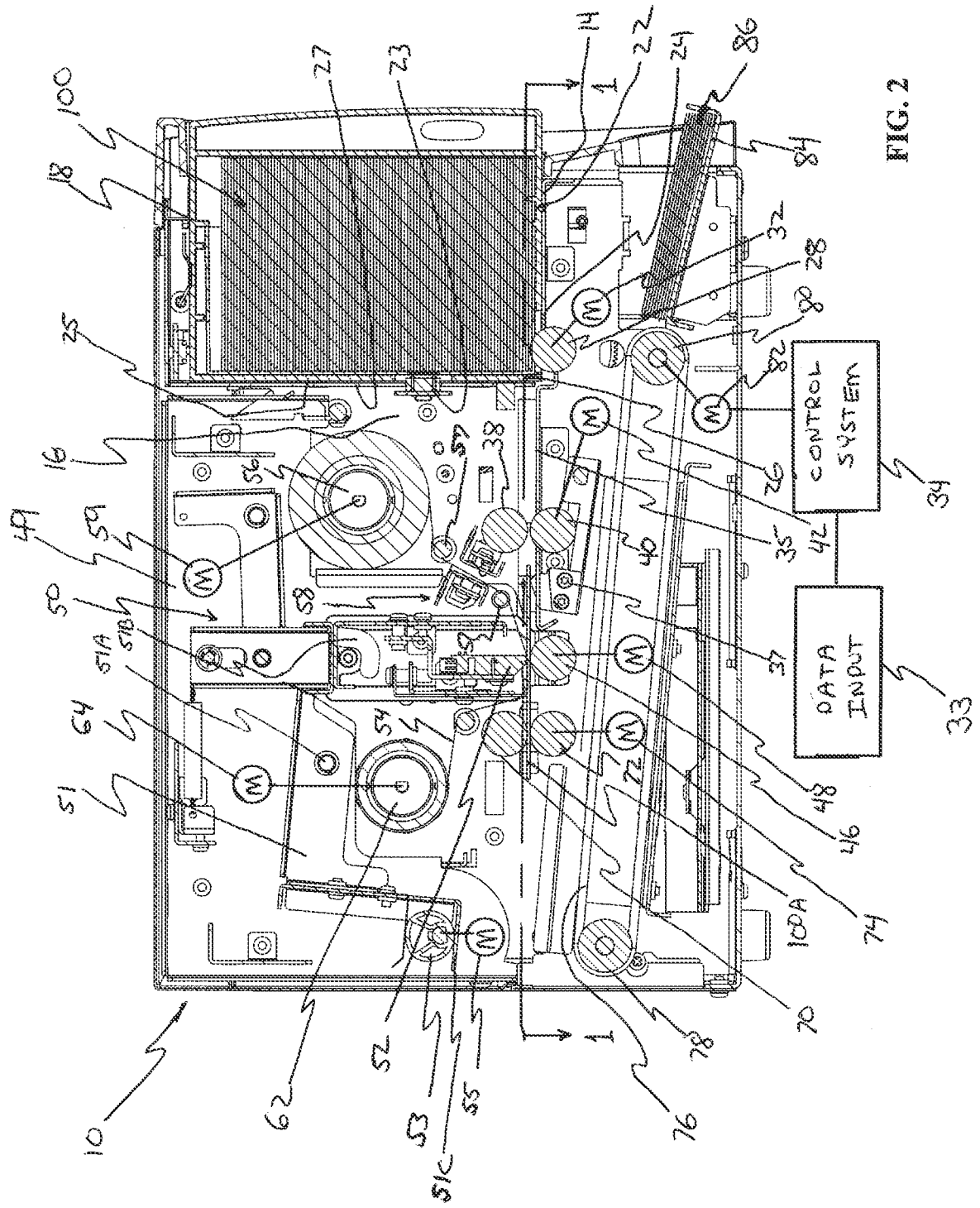


FIG. 2

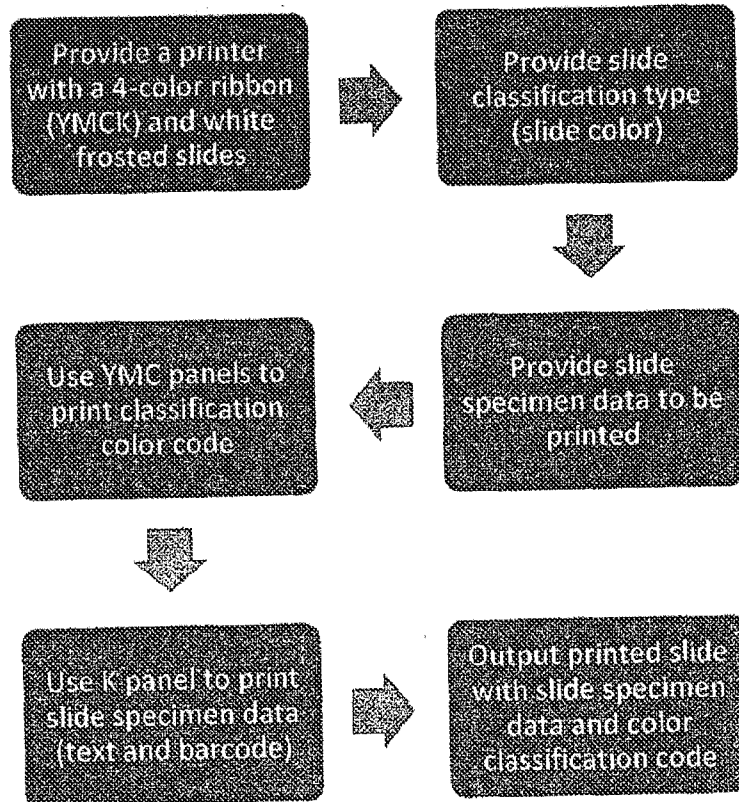
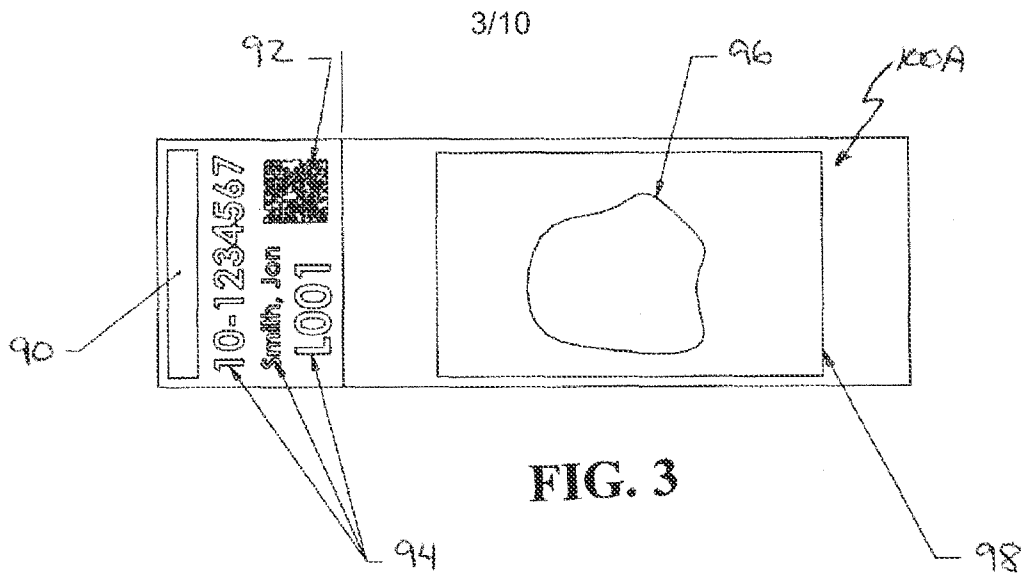
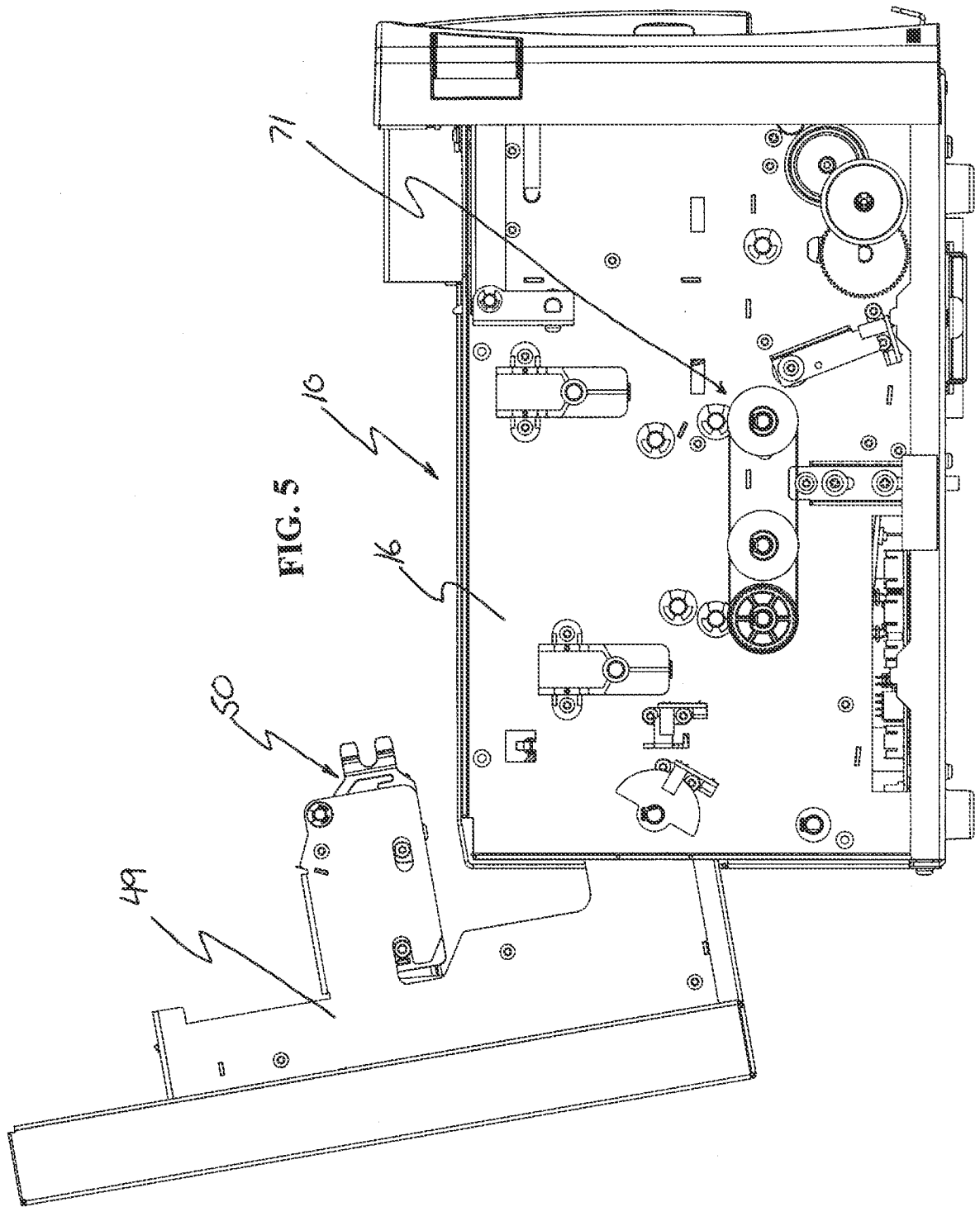
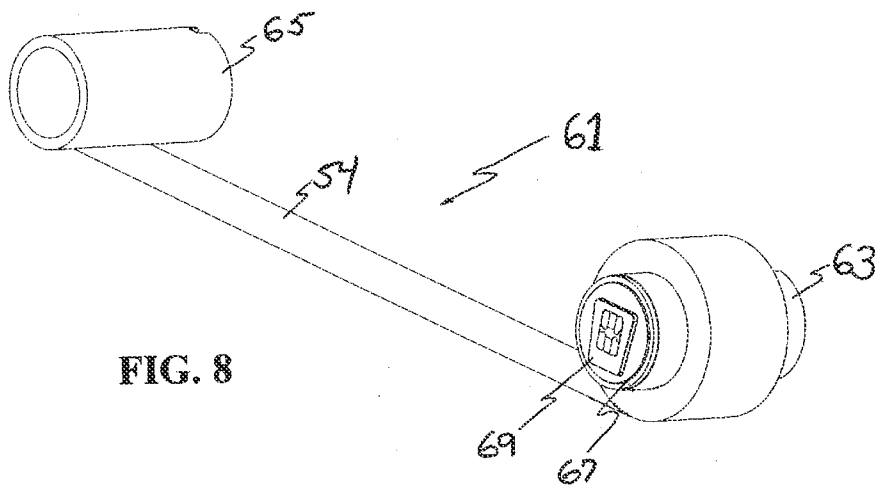
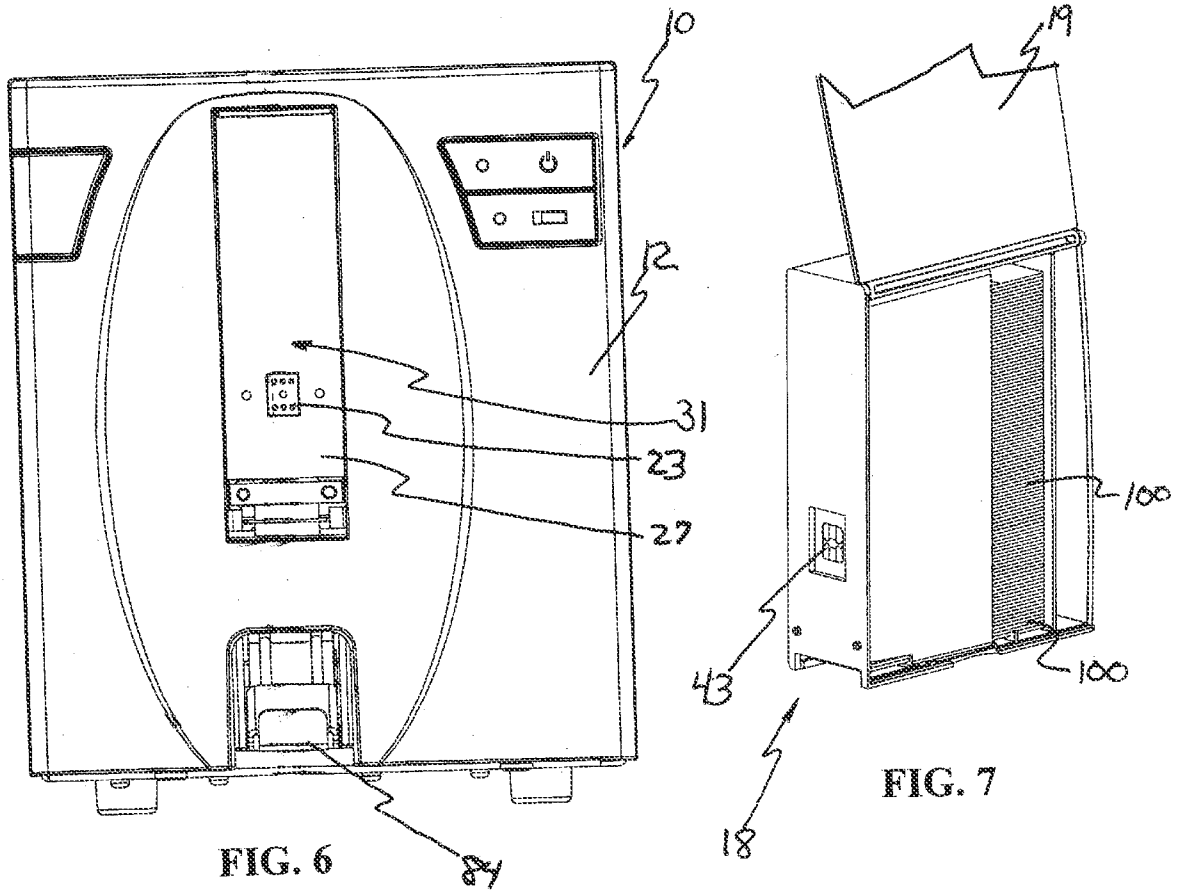
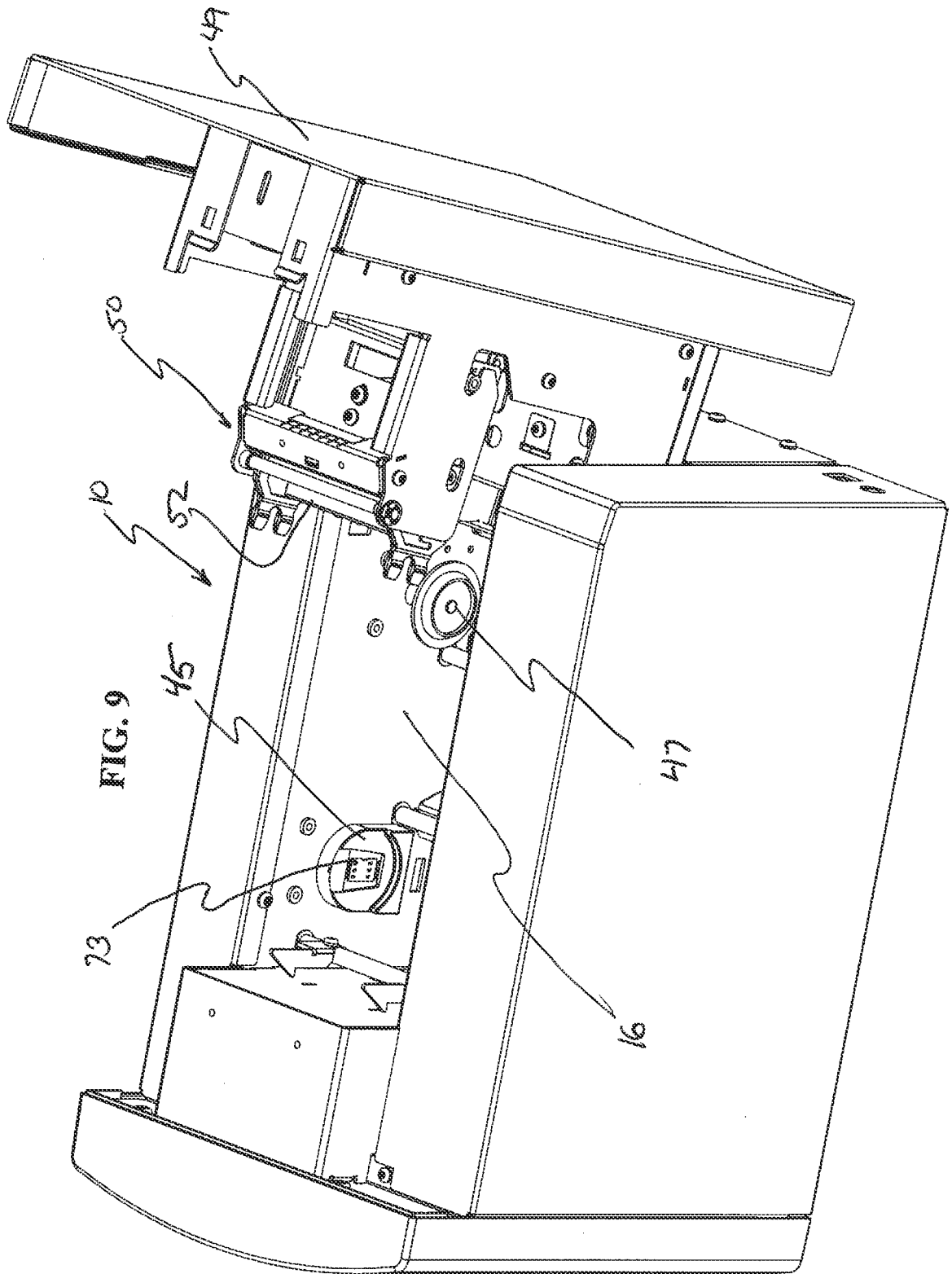


FIG. 4







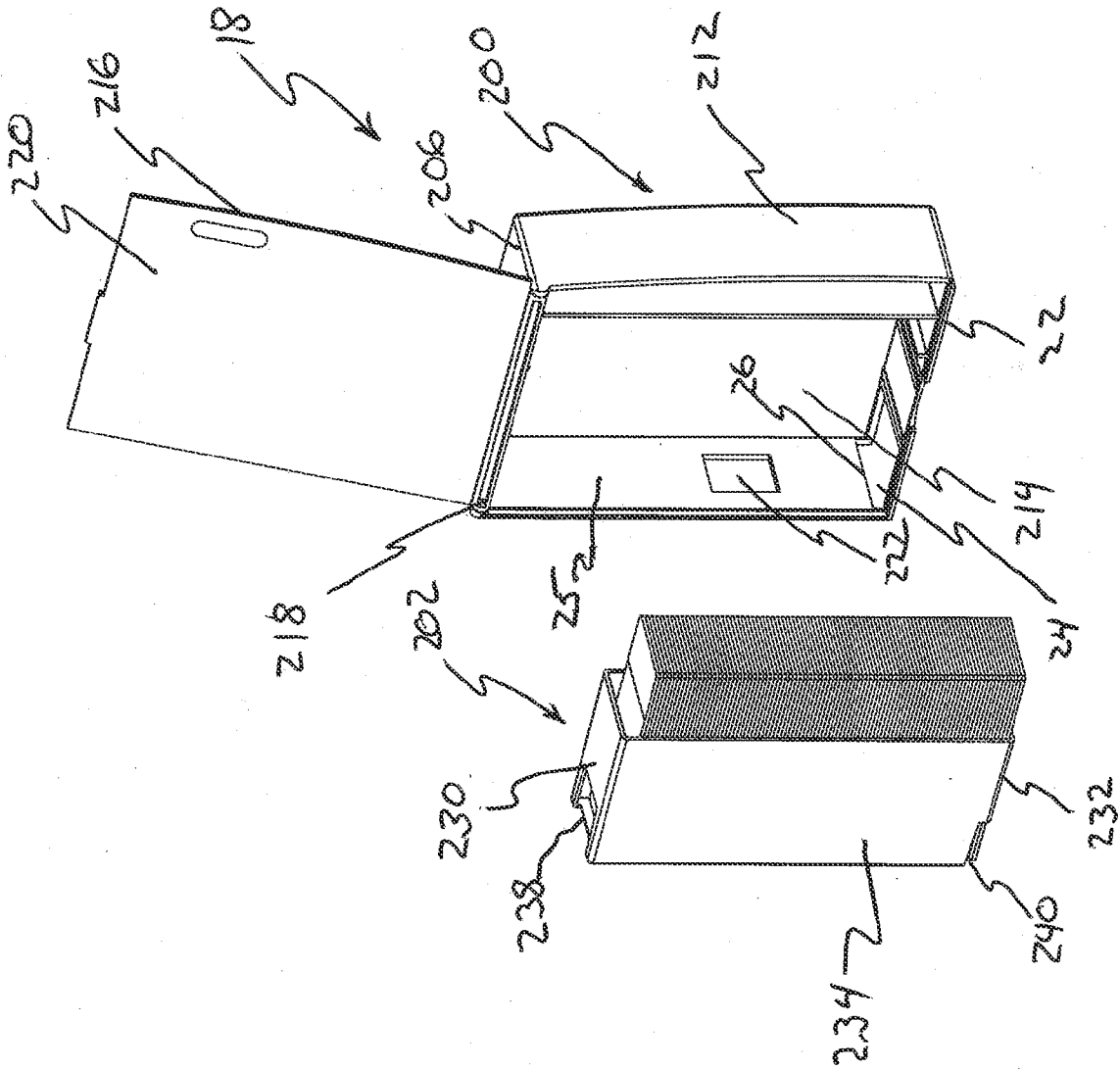


FIG. 10



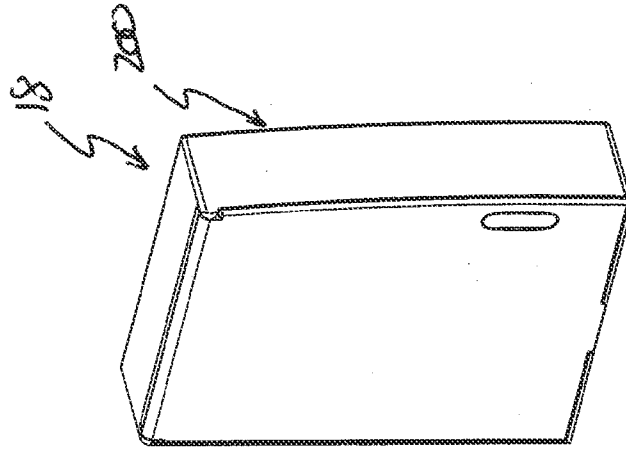


FIG. 12

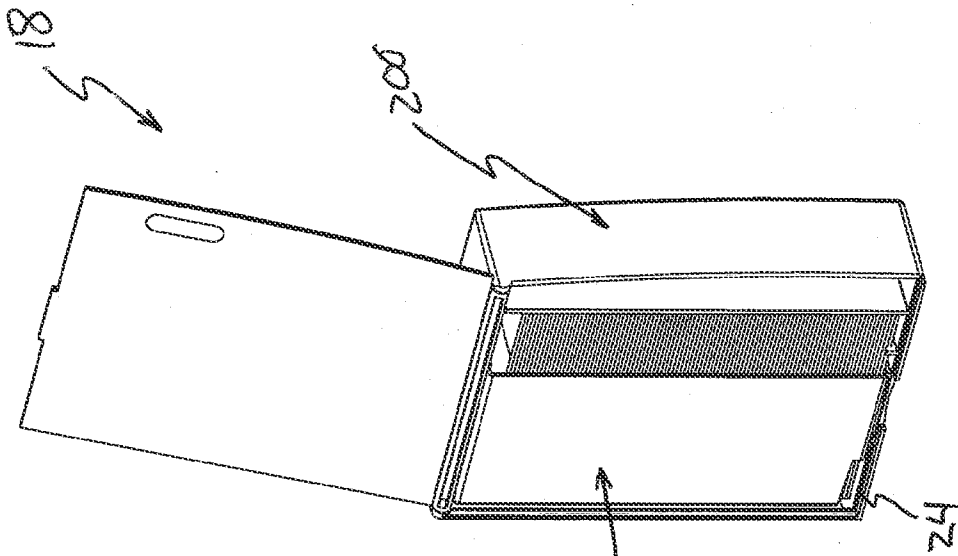


FIG. 11

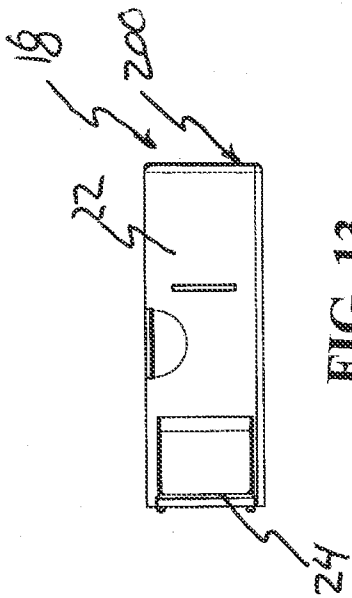


FIG. 13

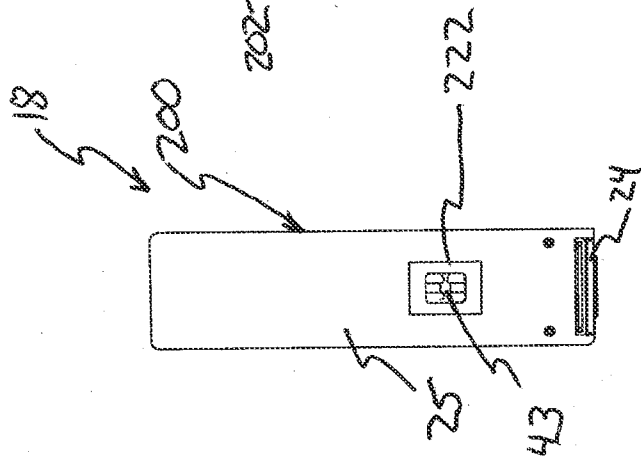


FIG. 14

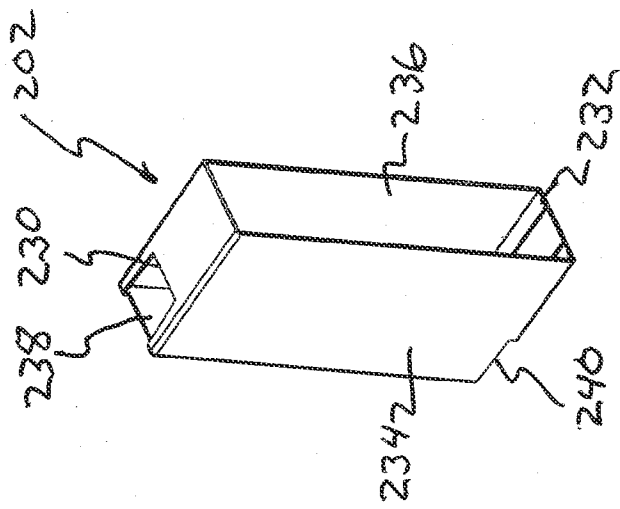


FIG. 15

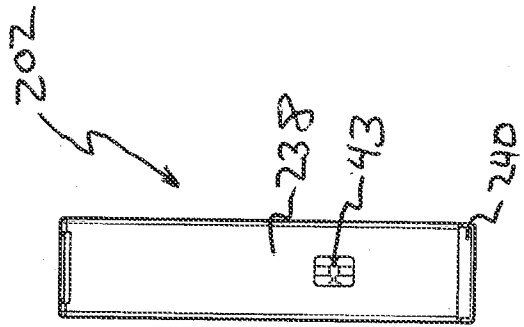


FIG. 16

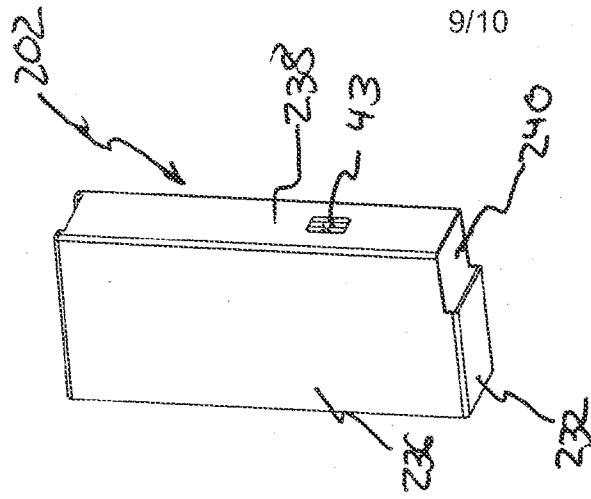


FIG. 17

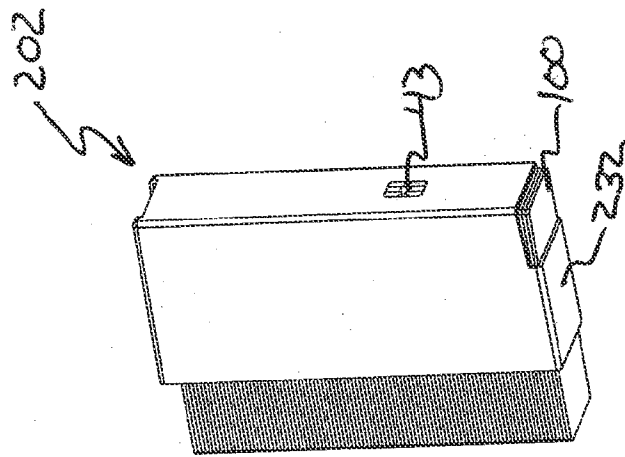


FIG. 19

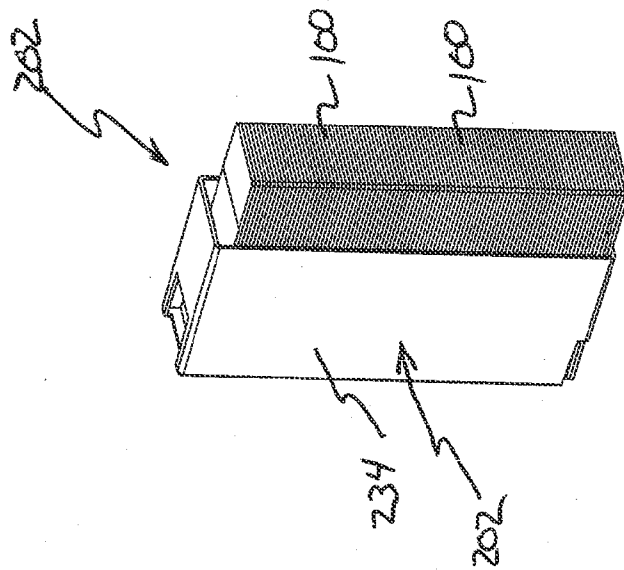


FIG. 18