



US00D636470S

(12) **United States Design Patent**
Dole et al.

(10) **Patent No.:** **US D636,470 S**

(45) **Date of Patent:** **** Apr. 19, 2011**

(54) **PIPE COUPLING SEGMENT**

(75) Inventors: **Douglas R. Dole**, Whitehouse Station,
NJ (US); **Andrzej Domagala**, Nazareth,
PA (US)

(73) Assignee: **Victaulic Company**, Easton, PA (US)

(**) Term: **14 Years**

(21) Appl. No.: **29/380,528**

(22) Filed: **Dec. 7, 2010**

Related U.S. Application Data

(62) Division of application No. 29/363,558, filed on Jun.
11, 2010, now Pat. No. Des. 629,083.

(51) **LOC (9) Cl.** **23-01**

(52) **U.S. Cl.** **D23/262**

(58) **Field of Classification Search** D23/259-262;
239/428.5; 261/DIG. 22; D8/396; 285/1,
285/112, 179, 340, 367, 373, 404, 53, 915;
403/291, 300; 411/5, 10; 137/801

See application file for complete search history.

(56) **References Cited**

U.S. PATENT DOCUMENTS

1,851,574 A	3/1932	Fiederlein
1,905,324 A	4/1933	Waters
D142,057 S	8/1945	Baxter
2,752,173 A	6/1956	Krooss
4,408,788 A	10/1983	Beukema
6,626,466 B1	9/2003	Dole
7,090,259 B2	8/2006	Dole
7,401,819 B2	7/2008	Gibb
7,591,055 B2	9/2009	Gibb

D616,967 S	6/2010	Madara	
D616,968 S	6/2010	Bowman	
D618,313 S	6/2010	Madara	
D618,315 S	6/2010	Bowman	
D625,784 S *	10/2010	Bowman et al.	D23/262
D625,787 S *	10/2010	Bowman et al.	D23/262
D625,788 S *	10/2010	Madara et al.	D23/262
D626,200 S *	10/2010	Bowman et al.	D23/262
D626,201 S *	10/2010	Madara et al.	D23/262
D629,079 S *	12/2010	Dole et al.	D23/262
D629,081 S *	12/2010	Dole et al.	D23/262
D629,084 S *	12/2010	Dole et al.	D23/262
2008/0048444 A1	2/2008	Porter	

* cited by examiner

Primary Examiner — T. Chase Nelson

Assistant Examiner — Eric L Goodman

(74) *Attorney, Agent, or Firm* — Ballard Spahr LLP

(57) **CLAIM**

We claim the ornamental design for a pipe coupling segment,
as shown and described.

DESCRIPTION

FIG. 1 is an isometric view of our design for a pipe coupling
segment;

FIG. 2 is a front view of the design for the pipe coupling
segment shown in FIG. 1, the rear view being identical;

FIG. 3 is a top view of the design for the pipe coupling
segment shown in FIG. 1;

FIG. 4 is a bottom view of the design for the pipe coupling
segment shown in FIG. 1; and,

FIG. 5 is a left side view of the design for the pipe coupling
segment shown in FIG. 1, the right side view being identical.

The broken lines shown in FIGS. 1 through 5 are for illustrative
purposes only and form no part of the claimed design.

1 Claim, 2 Drawing Sheets

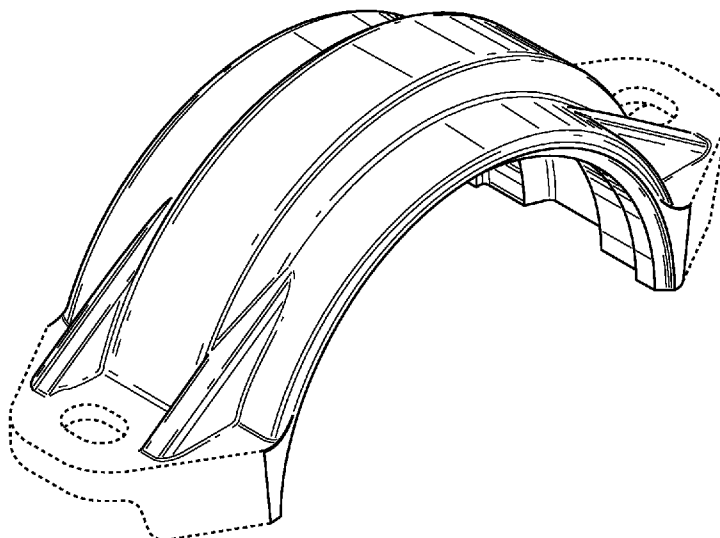


FIG. 1

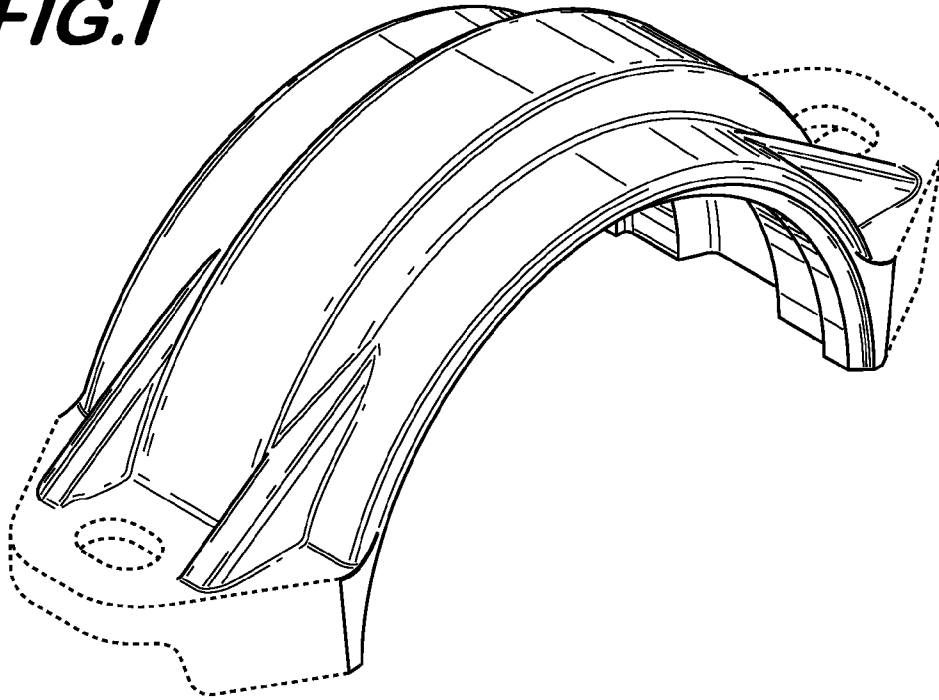


FIG. 2

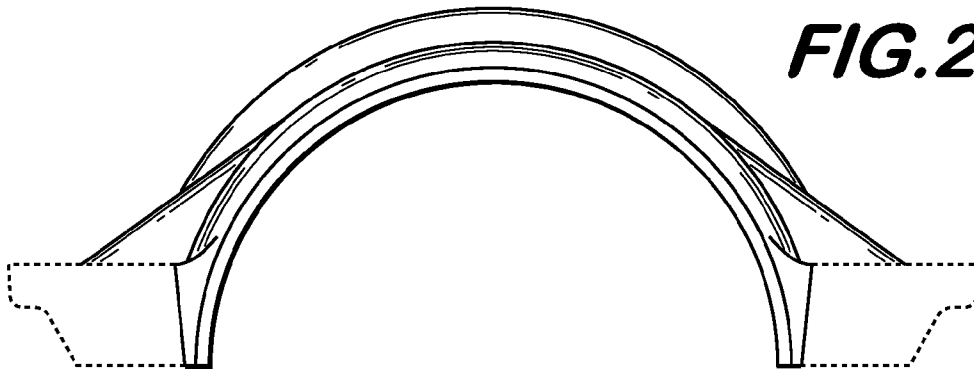


FIG.3

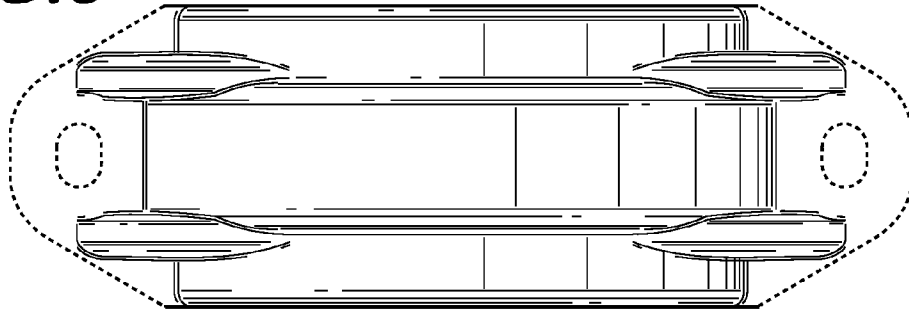


FIG.4

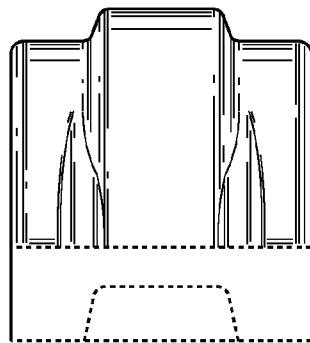


FIG.5