



US00D892990S

(12) **United States Design Patent**
Thorne et al.

(10) **Patent No.:** **US D892,990 S**

(45) **Date of Patent:** **** Aug. 11, 2020**

(54) **LAVATORY BASIN**

(71) Applicant: **Bradley Fixtures Corporation**,
Menomonee Falls, WI (US)

(72) Inventors: **Scott Joseph Thorne**, Chicago, IL
(US); **Hyunchul Kim**, Chicago, IL
(US); **William L. Haas**, Richfield, WI
(US); **Cassandra Anne Schneider**,
Oconomowoc, WI (US)

(73) Assignee: **Bradley Corporation**, Menomonee
Falls, WI (US)

(**) Term: **15 Years**

(21) Appl. No.: **29/619,491**

(22) Filed: **Sep. 29, 2017**

(51) **LOC (12) Cl.** **23-02**

(52) **U.S. Cl.**
USPC **D23/293.1**

(58) **Field of Classification Search**
USPC D23/284, 287-292, 293.1, 303, 308;
D9/425; D8/1; D11/155, 156; D3/304
CPC A47K 1/04; A47B 77/06; A47J 47/20
See application file for complete search history.

(56) **References Cited**

U.S. PATENT DOCUMENTS

D415,261 S *	10/1999	Thomas	D23/284
D507,334 S *	7/2005	Ferrer Beltran	D23/293.1
D538,410 S *	3/2007	Chensesseau	D23/293.1
D588,677 S *	3/2009	Drake	D23/284
D612,025 S *	3/2010	Tanus	D23/293.1
D634,827 S *	3/2011	Tanus	D23/308

D645,946 S *	9/2011	Guzman Salazar	D23/284
D710,978 S *	8/2014	Spangler	D23/293.1
D735,838 S *	8/2015	Bartlett	
D744,074 S *	11/2015	Adkison	D23/284
D805,169 S *	12/2017	Stevenson	D23/293.1
D840,004 S *	2/2019	Richter	D23/284
D840,518 S *	2/2019	Richter	D23/284
D840,519 S *	2/2019	Starck	D23/284

* cited by examiner

Primary Examiner — Lakiya G Rogers

Assistant Examiner — John A Voytek

(74) *Attorney, Agent, or Firm* — Boyle Fredrickson, S.C.

(57) **CLAIM**

The ornamental design for a lavatory basin, substantially as shown and described.

DESCRIPTION

FIG. 1 is a front, raised perspective view of a lavatory basin according to the invention;

FIG. 2 is a left side view of the lavatory basin according to FIG. 1;

FIG. 3 is a right side view of the lavatory system according to FIG. 1;

FIG. 4 is front view of the lavatory system according to FIG. 1;

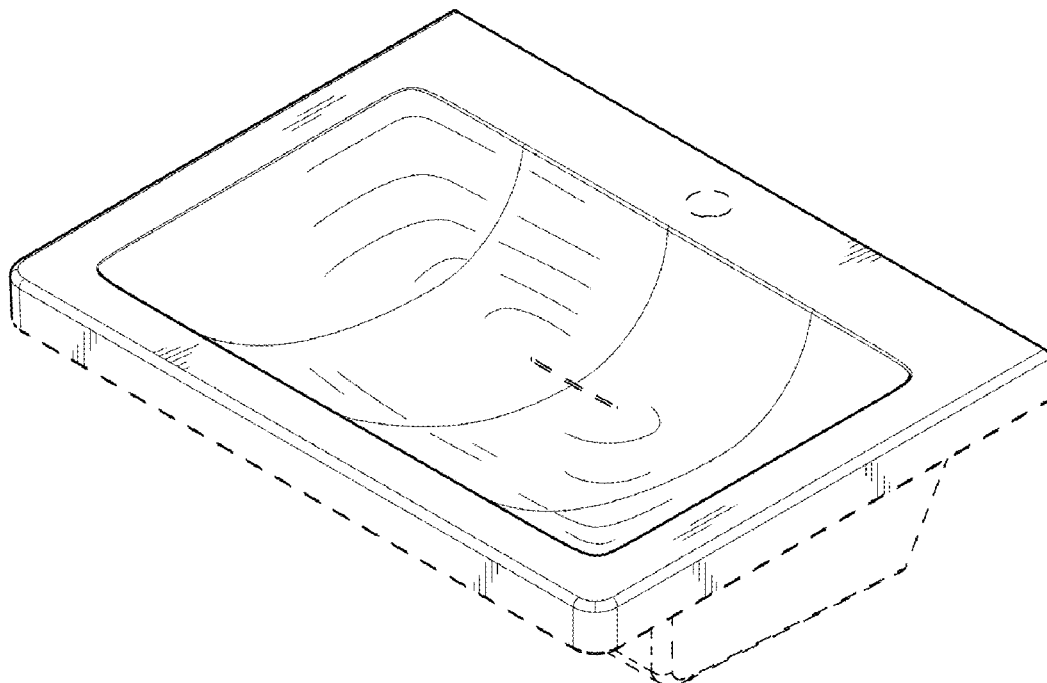
FIG. 5 is a rear side view of the lavatory system according to FIG. 1;

FIG. 6 is a top view of the lavatory system according to FIG. 1; and,

FIG. 7 is a bottom view of the lavatory system according to FIG. 1.

The broken-line portions of the drawings show portions of the lavatory system that form no part of the claimed design.

1 Claim, 4 Drawing Sheets



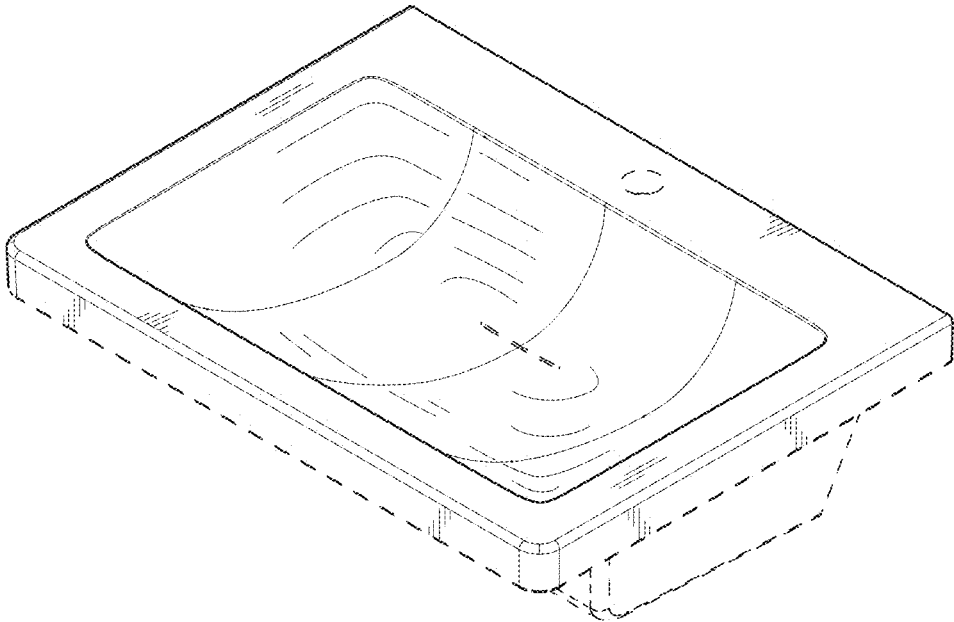


FIG. 1

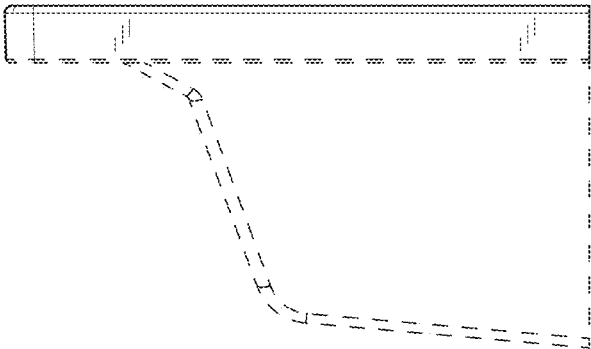


FIG. 2

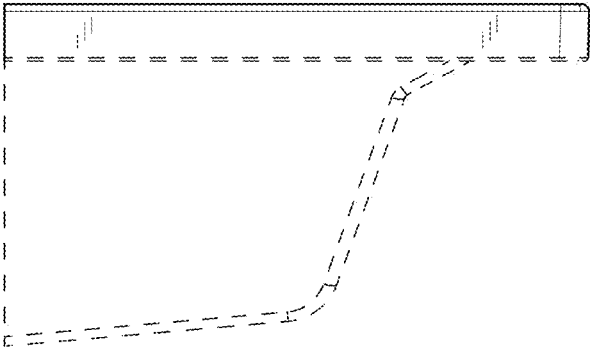


FIG. 3

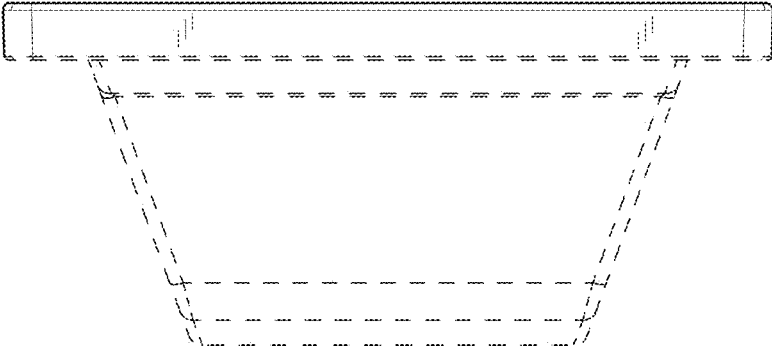


FIG. 4

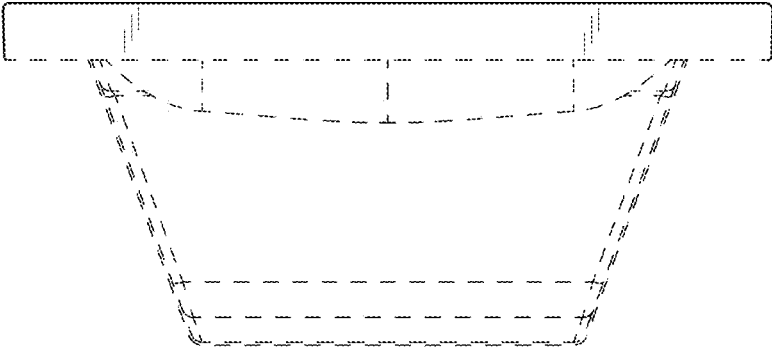


FIG. 5

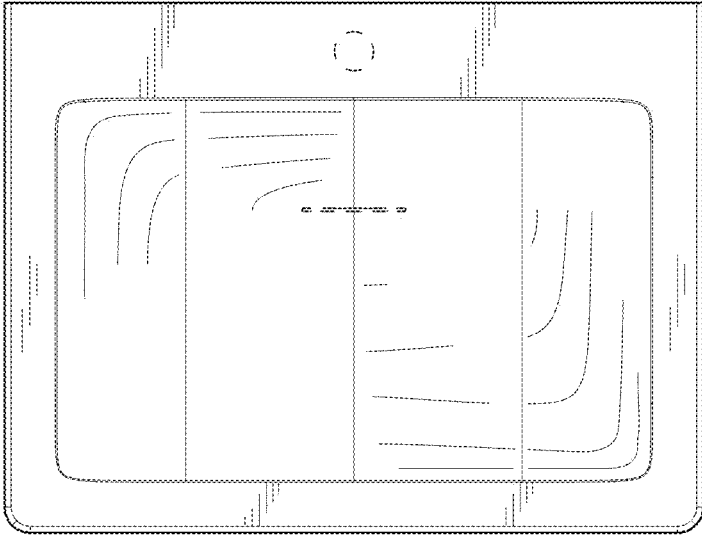


FIG. 6

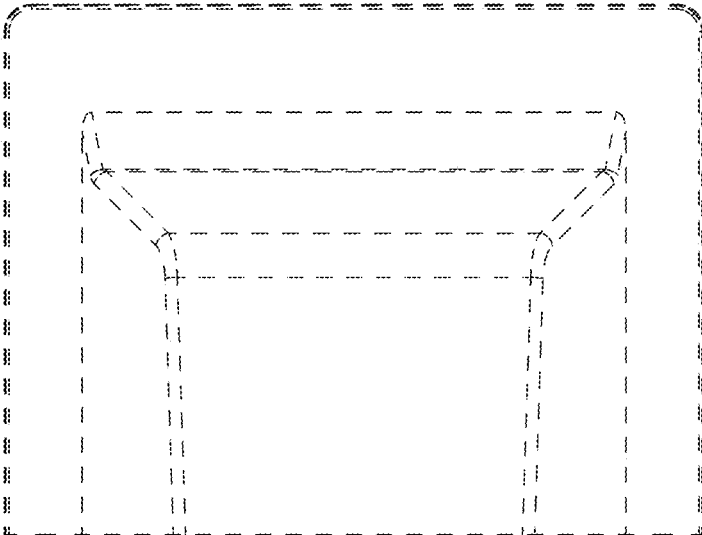


FIG. 7