

(12) **UK Patent Application** (19) **GB** (11) **2 279 335** (13) **A**

(43) Date of A Publication **04.01.1995**

(21) Application No **9313452.6**

(22) Date of Filing **30.06.1993**

(71) Applicant(s)
Ching-An Chiang
4 Alley 113, Lane 23, Sec 1, Hsin-Jen Road,
Ta-Li Hsiang, Taichung Hsien, Taiwan

(72) Inventor(s)
Ching-An Chiang

(74) Agent and/or Address for Service
Eric Potter Clarkson
St Mary's Court, St Mary's Gate, NOTTINGHAM,
NG1 1LE, United Kingdom

(51) INT CL⁶
B25H 3/02

(52) UK CL (Edition N)
B8P PA
A4B B9B13
U1S S1679

(56) Documents Cited
GB 1588590 A US 4643494 A US 3848942 A

(58) Field of Search
UK CL (Edition L) **A4B , A4G , B8P PA PCX PE2J**
INT CL⁵ **A47B 87/02 , B25H 3/02 , B65D 21/02 25/04**
ONLINE DATABASE : WPI

(54) **Tool container**

(57) This invention relates to a tool container and in particular to one including a main body portion 17, a drawer unit 60 provided with runners 14 at bottom and top sides and engageable with the top of the main body portion and the bottom of another drawer unit 60, and a box 70 engaged with the top of the second drawer unit. Said main body portion may be provided with two horizontal grooves 12, 18 at both opposite inner sides and a runner 14 at both upper edges, a shelf 30 inserted into an upper one of the two horizontal grooves, a drawer 51 inserted into a lower one of the two horizontal grooves and two doors 20 and 25 hingedly connected with the main body portion. Said doors may be provided with slots 11 for engaging with the hooks 40.

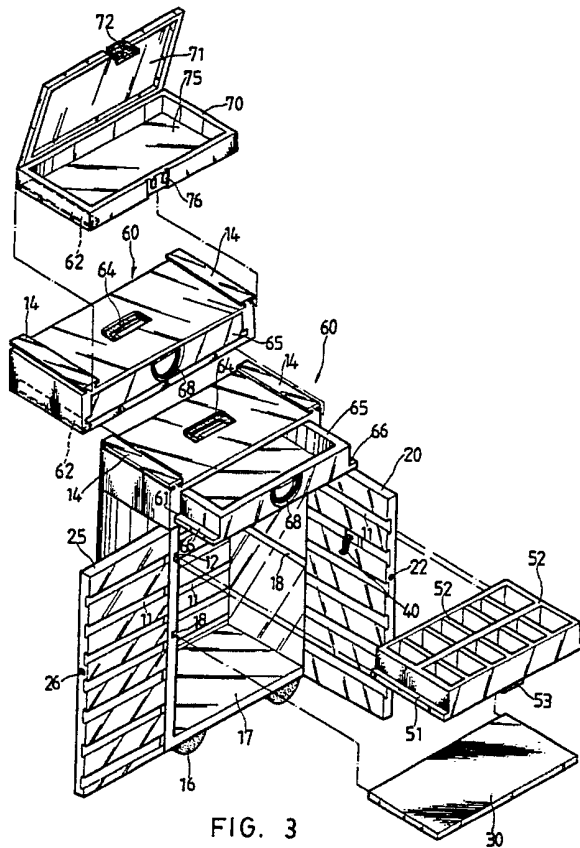


FIG. 3

GB 2 279 335 A

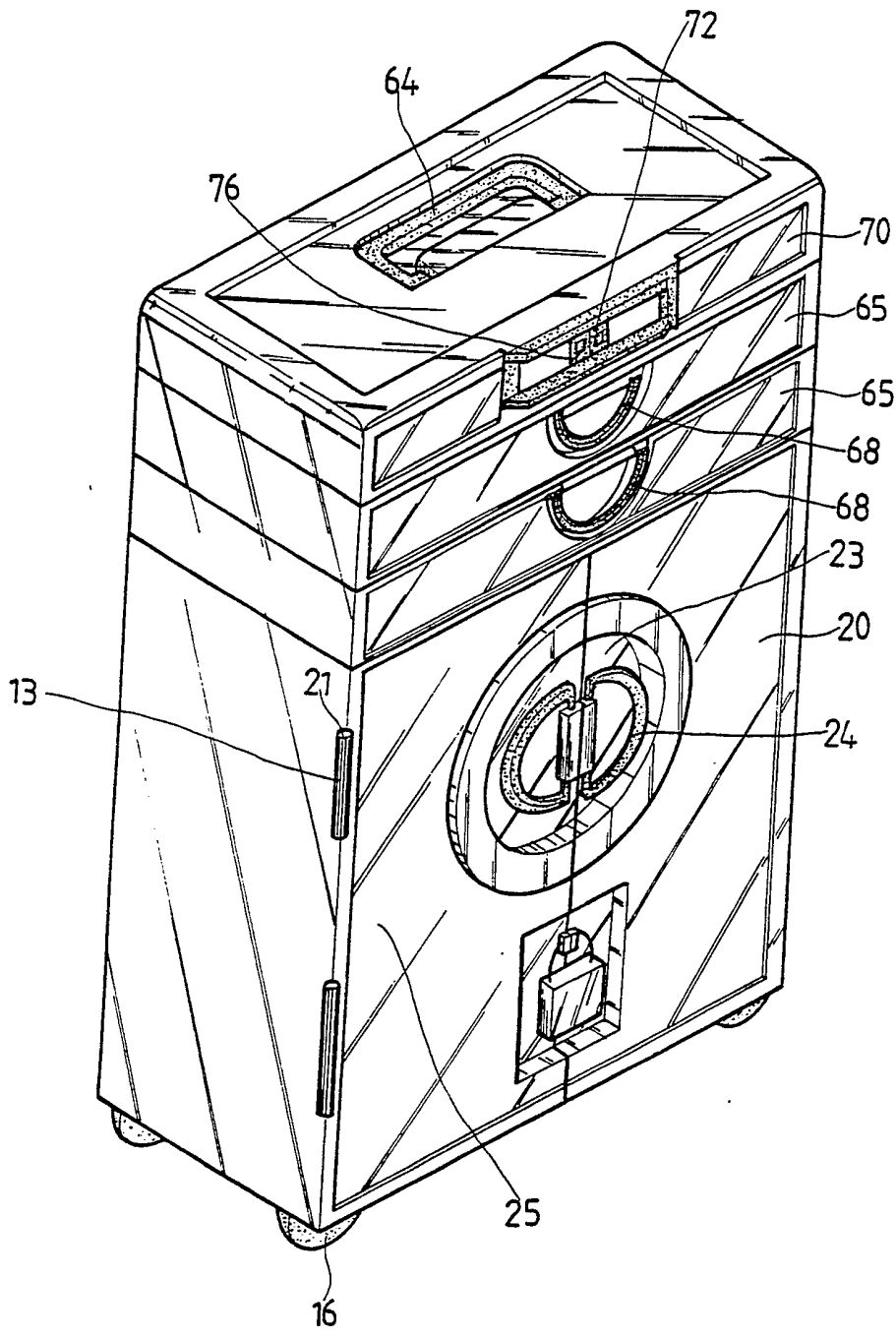


FIG. 1

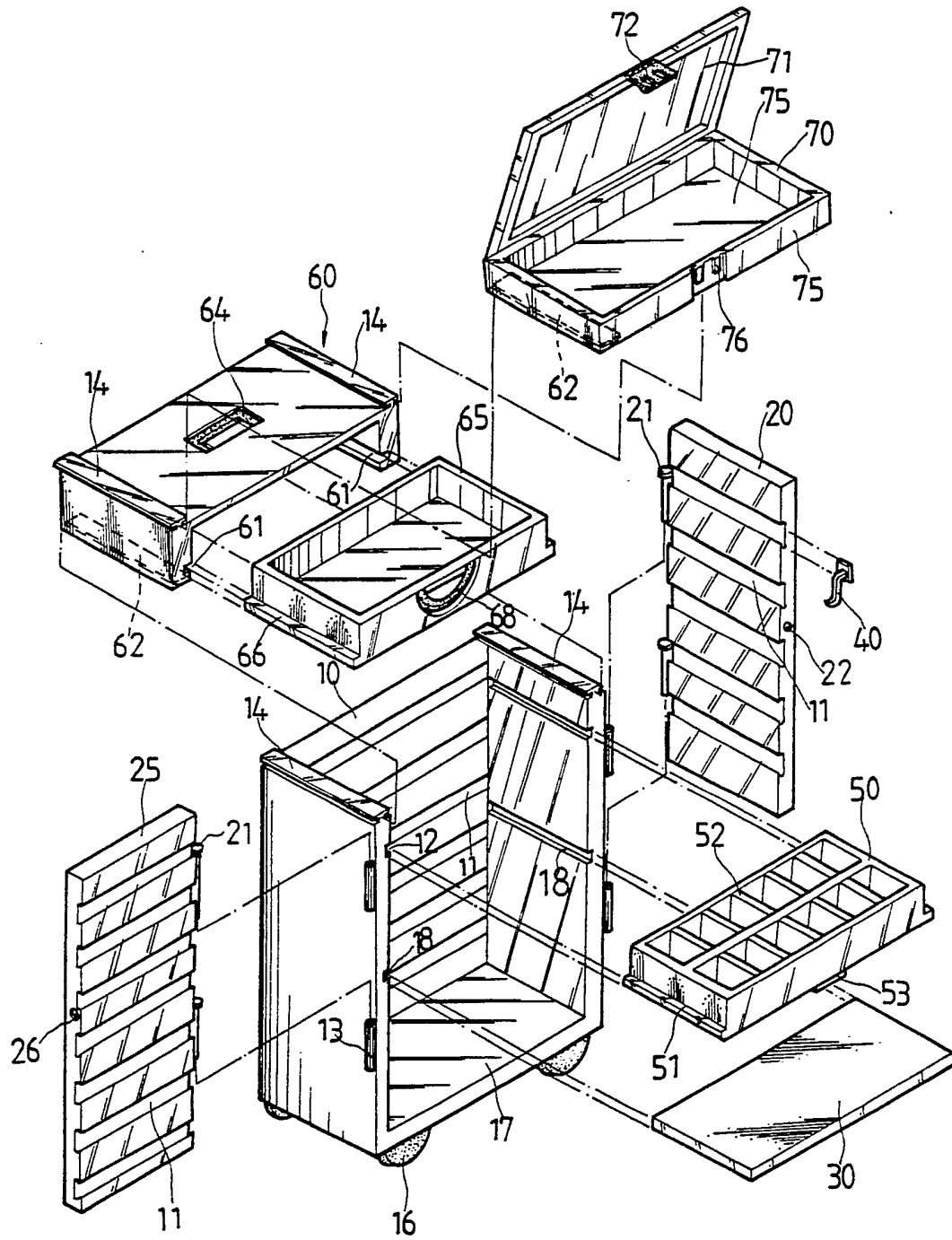
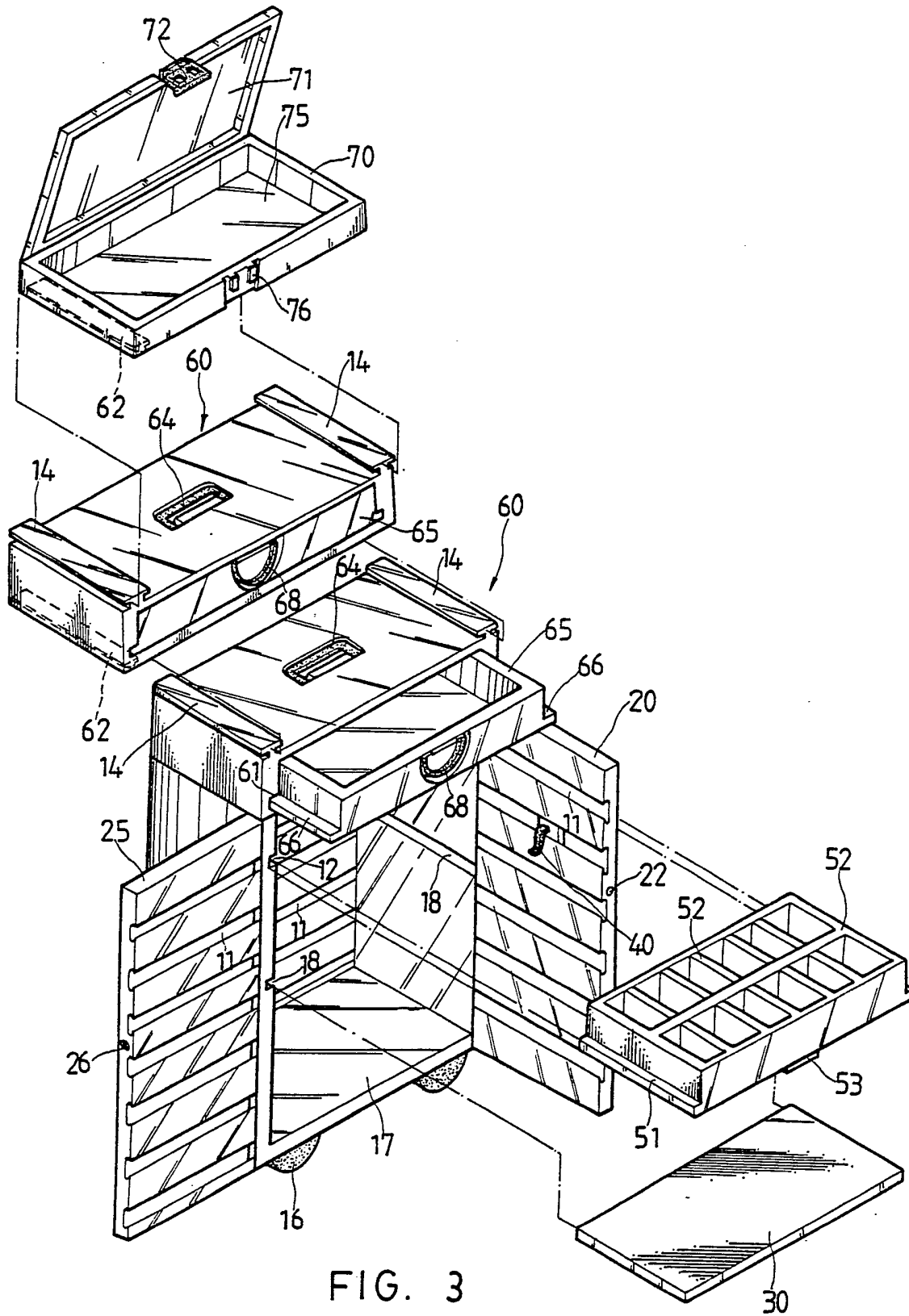


FIG. 2



TITLE: A TOOL CONTAINER

Heretofore, there are various kinds of containers for receiving tools on the market. However, none of them can be connected with additional boxes to enlarge their
5 capacity and are satisfactory in use.

Therefore, it is an object of the present invention to provide an improved tool container which may obviate and mitigate the above-mentioned drawbacks.

This invention is related to a tool container.

10 It is the primary object of the present invention to provide a tool container which may be used to store various kinds of tools.

It is another object of the present invention to provide a tool container which may be connected with
15 additional cases to enlarge its capacity.

It is still another object of the present invention to provide a tool container which is convenient to carry.

It is still another object of the present invention to provide a tool container which is compact in size.

20 It is a further object of the present invention to

provide a tool container which is handy in use.

Other objects and merits and a fuller understanding of the present invention will be obtained by those having ordinary skill in the art when the following detailed
5 description of the preferred embodiment is read in conjunction with the accompanying drawings.

FIG. 1 is a perspective view of the present invention;

FIG. 2 is an exploded view of the present invention;
10 and

FIG. 3 shows an embodiment of the present invention.

With reference to the drawings and in particular to FIGS. 1 and 2 thereof, the tool box according to the present invention mainly comprises a main body portion 10
15 with two grooves 12 and 18 at both opposite inner sides. A drawer 50 having two lower flanges 51 is inserted into the upper portion of the main body portion 10 so that the lower flanges 51 of the former are engaged with the grooves 12 of the latter. Further, the drawer 50 is
20 divided into a plurality of lattices by a plurality of

movable partitions 52 so as to receive trivial things. In addition, the drawer 50 has a protuberance 53 on its bottom for making it easier to be pushed into or pulled out of the main body portion 10.

5 A partition board 30 is inserted into the main body portion 50 to divide it into two halves. Both sides of the main body portion 50 are provided with two barrels 13. A left door 25 having a two pins 21 adapted to engage with the barrels 13 of the main body portion 50 is mounted on
10 left side of the main body portion 50. Further, a right door 20 having two pins 21 adapted to engage with the barrels 13 of the main body portion 50 is mounted on the right side of the main body portion 50. Hence, the two doors 20 and 25 may be turned open or close with respect
15 to the main body portion. In addition, the right door 20 is provided with a spring-loaded ball 22 and the left door 25 has a recess 26 so that when the right door 20 and the left door 25 are turned close, the spring-loaded ball 22 of the left door 25 will be engaged with the recess 26 of
20 the right door 20 thereby keeping the two doors in place.

Moreover, both doors 20 and 25 are formed at the front side with a recess 23 in which there is mounted a handle 24. The inner sides of the doors 20 and 25 and the rear inner side of the main body portion 50 are formed with a plurality of horizontal slots 11 for engaging with a plurality of hooks 40.

The top of the main body portion 50 is provided with two racks 14 which are engaged with a case 60 having two grooves 61. A drawer 65 is inserted into the case 60 with its flanges 66 engaged with the grooves 61 of the case 60 and has a handle 68 in the front side. Further, the case 60 has and a handle 64 on the top. A box 70 provided with racks 14 is engaged with the upper racks 14 of the case 60. The box 70 is composed of a lid 71 and a body 75 which are respectively provided with a male retainer 72 and female retainer 76 which are engageable with each other. Further, there is a handle 78 (not shown) on the top of the box 70.

Although the present invention has been described with a certain degree of particularity, it is understood that the present disclosure is made by way of example only and that numerous changes in the detail of construction and the combination and arrangements of parts may be resorted to without departing from the spirit and scope of the invention as hereinafter claimed.

CLAIM:

1. A tool container comprising:

a main body portion provided with two horizontal
grooves at both opposite inner sides and a rack at both
5 upper edges;

a partition board inserted into an upper one of
said two horizontal grooves;

a drawer inserted into a lower one of said two
horizontal grooves;

10 two doors hingedly connected with said main body
portion;

a case provided with racks at bottom and top sides
and engageable with a top of said main body portion and a
bottom of another box; and

15 a box engaged with a top of said case.

Patents Act 1977
Examiner's report to the Comptroller under
Section 17 (The Search Report)

Application number

GB 9313452.6

Relevant Technical fields

(i) UK CI (Edition L) A4B, A4G, B8P (PA,PCX,PE2J)

(ii) Int CI (Edition 5) A47B 87/02, B25H 3/02, B65D
21/02, 25/04

Search Examiner

KARL WHITFIELD

Databases (see over)

(i) UK Patent Office

(ii) ONLINE DATABASE: WPI

Date of Search

6 AUGUST 1993

Documents considered relevant following a search in respect of claims 1

Category (see over)	Identity of document and relevant passages	Relevant to claim(s)
Y	GB 1588590 (LARRE) - see especially Figures 1 and 2	1
Y	US 4643494 (MARLEAU) - see especially Figures 1-4	1
Y	US 3848942 (FANINI) - see especially Figure 2	1



Category	Identity of document and relevant passages 7-	Relevant to claim(s)

Categories of documents

X: Document indicating lack of novelty or of inventive step.

Y: Document indicating lack of inventive step if combined with one or more other documents of the same category.

A: Document indicating technological background and/or state of the art.

P: Document published on or after the declared priority date but before the filing date of the present application.

E: Patent document published on or after, but with priority date earlier than, the filing date of the present application.

&: Member of the same patent family, corresponding document.

Databases: The UK Patent Office database comprises classified collections of GB, EP, WO and US patent specifications as outlined periodically in the Official Journal (Patents). The on-line databases considered for search are also listed periodically in the Official Journal (Patents).