

(19) World Intellectual Property Organization
International Bureau



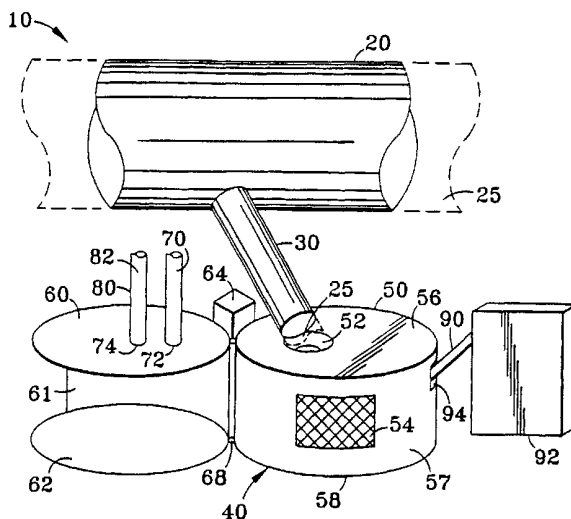
(43) International Publication Date
28 February 2002 (28.02.2002)

PCT

(10) International Publication Number
WO 02/16892 A3

- (51) International Patent Classification⁷: G01J 3/46, B29C 47/00, B01F 15/04
- (21) International Application Number: PCT/US01/19416
- (22) International Filing Date: 15 June 2001 (15.06.2001)
- (25) Filing Language: English
- (26) Publication Language: English
- (30) Priority Data:
09/643,245 22 August 2000 (22.08.2000) US
- (71) Applicant: GENERAL ELECTRIC COMPANY
[US/US]; 1 River Road, Schenectady, NY 12345 (US).
- (72) Inventors: RAJAMANI, Ravi; 71 Bainard Road, West Hartford, CT 06117 (US). HANAGANDI, Vijay, Kumar, M.; 602 Crestmont, Evansville, IN 47712 (US).
- (74) Agents: SNYDER, Bernard et al.; General Electric Company, 3135 Easton Turnpike W3C, Fairfield, CT 06431 (US).
- (81) Designated States (*national*): AE, AG, AL, AM, AT, AU, AZ, BA, BB, BG, BR, BY, BZ, CA, CH, CN, CR, CU, CZ, DE, DK, DM, DZ, EE, ES, FI, GB, GD, GE, GH, GM, HR, HU, ID, IL, IN, IS, JP, KE, KG, KP, KR, KZ, LC, LK, LR, LS, LT, LU, LV, MA, MD, MG, MK, MN, MW, MX, MZ, NO, NZ, PL, PT, RO, RU, SD, SE, SG, SI, SK, SL, TJ, TM, TR, TT, TZ, UA, UG, UZ, VN, YU, ZA, ZW.
- (84) Designated States (*regional*): ARIPO patent (GH, GM, KE, LS, MW, MZ, SD, SL, SZ, TZ, UG, ZW), Eurasian patent (AM, AZ, BY, KG, KZ, MD, RU, TJ, TM), European patent (AT, BE, CH, CY, DE, DK, ES, FI, FR, GB, GR, IE, IT, LU, MC, NL, PT, SE, TR), OAPI patent (BF, BJ, CF, CG, CI, CM, GA, GN, GW, ML, MR, NE, SN, TD, TG).
- Published:
— with international search report
- (88) Date of publication of the international search report:
10 May 2002
- For two-letter codes and other abbreviations, refer to the "Guidance Notes on Codes and Abbreviations" appearing at the beginning of each regular issue of the PCT Gazette.

(54) Title: ON-LINE COLOR MEASUREMENT SYSTEM FOR COOLED PRODUCT



WO 02/16892 A3

(57) Abstract: An on-line color sensor (40) supplies light to a spectrophotometer (160) for color measurement of product (25) after cooling. The product (25) is extruded in a main extruder (20) having a bypass section (30). The on-line color sensor (40) includes an housing (50) having an interior portion (100). The housing (50) is positioned proximate to the bypass section (30) and is used to direct the product (25) from the bypass section (30) into the interior portion (100). A receptacle (110) that is connected to the housing (50) is positioned in the interior portion (100) of the housing (50) to hold the product (25) directed into the interior portion (100). The product (25) is allowed to cool while being held on the receptacle (110). A light source (170) is connected to the housing (50) and supplies light to the interior portion (100) of the housing (50). A light receiver (80) is connected to the housing (50) to capture the light from the light source (170) in the interior portion (100) that is affected by the cooled product (140). The captured light is supplied to the spectrophotometer (160) to measuring the color of the cooled product (140) in the interior portion (100) of the housing (50).

INTERNATIONAL SEARCH REPORT

International Application No

PCT/US 01/19416

A. CLASSIFICATION OF SUBJECT MATTER
 IPC 7 G01J3/46 B29C47/00 B01F15/04

According to International Patent Classification (IPC) or to both national classification and IPC

B. FIELDS SEARCHED
 Minimum documentation searched (classification system followed by classification symbols)
 IPC 7 G01J B29C B01F

Documentation searched other than minimum documentation to the extent that such documents are included in the fields searched

Electronic data base consulted during the international search (name of data base and, where practical, search terms used)
 EPO-Internal, WPI Data, PAJ

C. DOCUMENTS CONSIDERED TO BE RELEVANT

Category °	Citation of document, with indication, where appropriate, of the relevant passages	Relevant to claim No.
X A	EP 0 407 927 A (HOECHST AG) 16 January 1991 (1991-01-16) the whole document ---	20, 21, 23-26, 28 1, 22, 27, 29
X A	US 5 568 266 A (CIZA JEAN-CHARLES ET AL) 22 October 1996 (1996-10-22) column 5, line 31 -column 7, line 21 figure 2 ---	20, 21, 23-26, 28 1, 22, 27, 29
A	US 5 559 173 A (CAMPO PETER J ET AL) 24 September 1996 (1996-09-24) column 4, line 15 -column 5, line 53 ---	1, 20, 29
A	US 5 859 708 A (FELDMAN SANDRA FREEDMAN) 12 January 1999 (1999-01-12) column 2, line 33 -column 5, line 31 --- -/--	1, 20, 29

Further documents are listed in the continuation of box C.

Patent family members are listed in annex.

° Special categories of cited documents :

- *A* document defining the general state of the art which is not considered to be of particular relevance
- *E* earlier document but published on or after the international filing date
- *L* document which may throw doubts on priority claim(s) or which is cited to establish the publication date of another citation or other special reason (as specified)
- *O* document referring to an oral disclosure, use, exhibition or other means
- *P* document published prior to the international filing date but later than the priority date claimed

- *T* later document published after the international filing date or priority date and not in conflict with the application but cited to understand the principle or theory underlying the invention
- *X* document of particular relevance; the claimed invention cannot be considered novel or cannot be considered to involve an inventive step when the document is taken alone
- *Y* document of particular relevance; the claimed invention cannot be considered to involve an inventive step when the document is combined with one or more other such documents, such combination being obvious to a person skilled in the art.
- * & * document member of the same patent family

Date of the actual completion of the international search

Date of mailing of the international search report

28 December 2001

09/01/2002

Name and mailing address of the ISA
 European Patent Office, P.B. 5818 Patentlaan 2
 NL - 2280 HV Rijswijk
 Tel. (+31-70) 340-2040, Tx. 31 651 epo nl,
 Fax: (+31-70) 340-3016

Authorized officer

Jacquin, J

INTERNATIONAL SEARCH REPORT

International Application No

PCT/US 01/19416

C.(Continuation) DOCUMENTS CONSIDERED TO BE RELEVANT

Category	Citation of document, with indication, where appropriate, of the relevant passages	Relevant to claim No.
A	US 4 684 488 A (RUDOLPH JOACHIM) 4 August 1987 (1987-08-04) figure 1 ---	1
A	US 5 953 129 A (MOEDERSHEIM NORBERT ET AL) 14 September 1999 (1999-09-14) figure 1 -----	1

INTERNATIONAL SEARCH REPORT

Information on patent family members

International Application No

PCT/US 01/19416

Patent document cited in search report		Publication date	Patent family member(s)	Publication date
EP 0407927	A	16-01-1991	DE 3922902 A1	17-01-1991
			AT 107190 T	15-07-1994
			AU 644086 B2	02-12-1993
			AU 5887090 A	17-01-1991
			CA 2020947 A1	13-01-1991
			DE 59006110 D1	21-07-1994
			EP 0407927 A2	16-01-1991
			ES 2056308 T3	01-10-1994
			JP 3045304 A	26-02-1991
			ZA 9005423 A	24-04-1991
US 5568266	A	22-10-1996	NONE	
US 5559173	A	24-09-1996	US 5723517 A	03-03-1998
			DE 69421990 D1	13-01-2000
			DE 69421990 T2	15-06-2000
			EP 0646409 A1	05-04-1995
			ES 2140510 T3	01-03-2000
			JP 3143024 B2	07-03-2001
			JP 7173295 A	11-07-1995
US 5859708	A	12-01-1999	EP 0901004 A2	10-03-1999
			JP 11132852 A	21-05-1999
			SG 67541 A1	21-09-1999
US 4684488	A	04-08-1987	DE 3505036 A1	14-08-1986
			DE 3662491 D1	27-04-1989
			EP 0191338 A2	20-08-1986
			JP 1792268 C	14-10-1993
			JP 2001648 B	12-01-1990
			JP 61188124 A	21-08-1986
US 5953129	A	14-09-1999	DE 19626785 A1	08-01-1998
			EP 0816815 A1	07-01-1998
			JP 10104078 A	24-04-1998