



US00D755264S

(12) **United States Design Patent**
Oetlinger

(10) **Patent No.:** **US D755,264 S**

(45) **Date of Patent:** **** May 3, 2016**

- (54) **CORNER PIECE**
- (71) Applicant: **Blanking Systems, Inc.**, Grafton, WI (US)
- (72) Inventor: **Frank E. Oetlinger**, Grafton, WI (US)
- (73) Assignee: **Blanking Systems, Inc.**, Grafton, WI (US)
- (**) Term: **14 Years**

- 6,390,719 B1 5/2002 Chan
- 6,708,858 B2 3/2004 Oetlinger
- 6,712,254 B2 3/2004 Oetlinger
- 6,715,953 B2 4/2004 Oetlinger et al.
- 6,722,811 B2 4/2004 Oetlinger
- D490,295 S 5/2004 Neider et al.
- 6,769,342 B2 8/2004 Oetlinger
- 6,796,474 B2 9/2004 Oetlinger
- 6,904,837 B2 6/2005 Oetlinger
- 6,942,132 B2 9/2005 Oetlinger
- 6,997,364 B2 2/2006 Oetlinger
- 7,143,916 B2 12/2006 Oetlinger

(Continued)

(21) Appl. No.: **29/461,090**

(22) Filed: **Jul. 18, 2013**

Related U.S. Application Data

(62) Division of application No. 29/389,608, filed on Apr. 14, 2011, now Pat. No. Des. 692,469.

(51) **LOC (10) CI.** **15-09**

(52) **U.S. CI.**
USPC **D15/138**

(58) **Field of Classification Search**
USPC D8/349, 354, 382, 400; D12/223;
D15/138, 140; 83/103, 468.1, 468.2,
83/468.7, 698.41, 698.51, 698.61, 699.31,
83/701, 859; 225/97; 403/110, 374.3, 393,
403/402; 493/73, 76

See application file for complete search history.

(56) **References Cited**

U.S. PATENT DOCUMENTS

- 4,017,199 A 4/1977 Strassle
- D342,662 S 12/1993 Lavin, Sr.
- 5,337,641 A 8/1994 Duginske
- 5,443,554 A 8/1995 Robert
- 5,671,580 A 9/1997 Chou
- 5,768,966 A 6/1998 Duginske
- 5,845,555 A 12/1998 Dawley
- 6,116,131 A 9/2000 Fasske

FOREIGN PATENT DOCUMENTS

- JP 2004-060789 2/2004
- WO 03070437 8/2003

Primary Examiner — Patricia Palasik

(74) *Attorney, Agent, or Firm* — Boyle Fredrickson, S.C.

(57) **CLAIM**

The ornamental design for a corner piece, as shown and described.

DESCRIPTION

FIG. 1 is an isometric view of a corner piece in accordance with the present invention;

FIG. 2 is a front elevational view of the corner piece of FIG. 1;

FIG. 3 is a rear elevational view of the corner piece of FIG. 1;

FIG. 4 is a top plan view of the corner piece of FIG. 1;

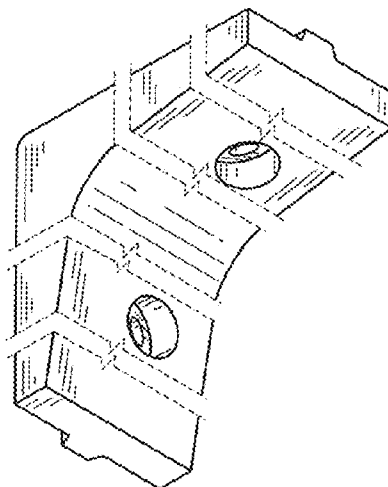
FIG. 5 is a bottom plan view of the corner piece of FIG. 1;

FIG. 6 is a side elevational view of a first side of the corner piece of FIG. 1; and,

FIG. 7 is a side devotional view of a second side of the corner piece of FIG. 1.

The broken away symbols in the drawings indicate that the appearance of any portion of the article between the break lines forms no part of the claimed design.

1 Claim, 2 Drawing Sheets



(56)

References Cited

U.S. PATENT DOCUMENTS

7,182,235 B2 2/2007 Oetlinger
7,185,797 B2 3/2007 Oetlinger et al.
D628,539 S 12/2010 Tezak et al.

7,992,752 B2 8/2011 Oetlinger
D654,936 S * 2/2012 Oetlinger D15/138
D692,469 S * 10/2013 Oetlinger D15/138
D706,321 S * 6/2014 Oetlinger D15/138

* cited by examiner

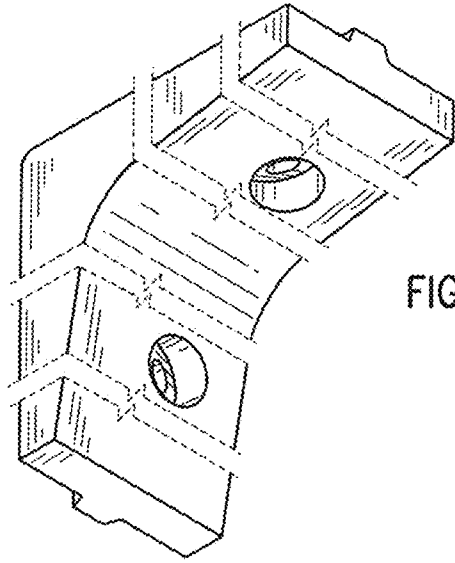


FIG. 1

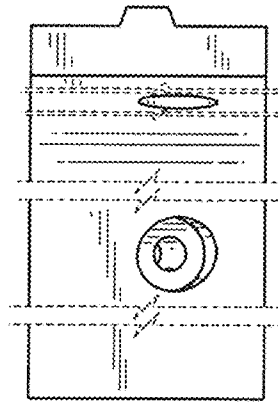


FIG. 2

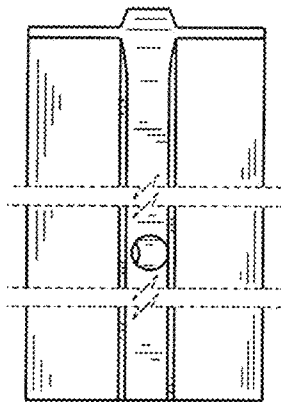


FIG. 3

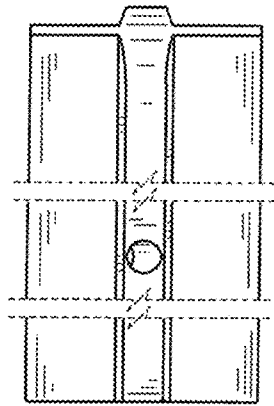


FIG. 4

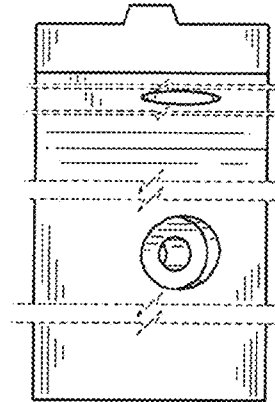


FIG. 5

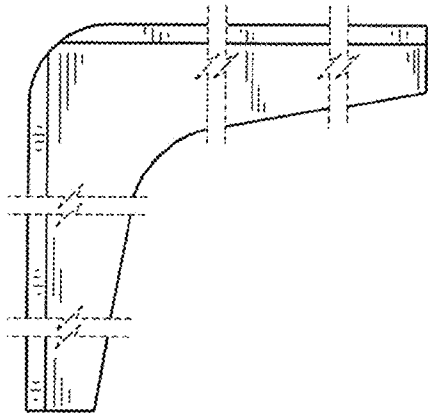


FIG. 6

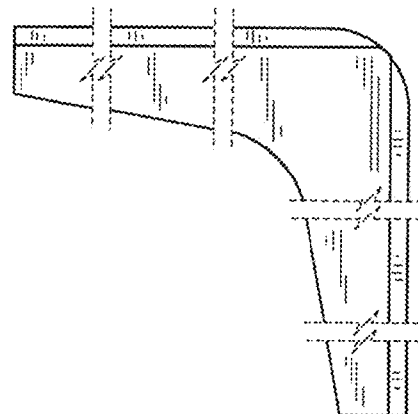


FIG. 7