



US00D970584S

(12) **United States Design Patent**  
**Luo**

(10) **Patent No.:** **US D970,584 S**

(45) **Date of Patent:** **\*\* Nov. 22, 2022**

(54) **CAMERA**

(71) Applicant: **Shenzhen Baoshijie Technology Co., Ltd.**, Shenzhen (CN)

(72) Inventor: **Mingcai Luo**, Shenzhen (CN)

(73) Assignee: **Shenzhen Baoshijie Technology Co., Ltd.**, Shenzhen (CN)

(\*\*) Term: **15 Years**

(21) Appl. No.: **29/835,839**

(22) Filed: **Apr. 21, 2022**

(51) **LOC (13) Cl.** ..... **16-01**

(52) **U.S. Cl.**  
USPC ..... **D16/203**; D16/202

(58) **Field of Classification Search**  
USPC .... D16/200–203, 208–214; D10/46, 50, 52,  
D10/104.1, 106.6; D14/125, 203.1,  
D14/203.8, 209.1, 204, 317, 474, 496,  
D14/506, 510  
CPC .... G03B 17/00; G03B 17/02; G03B 2217/00;  
H04N 5/2251; H04N 5/2252; H04N  
5/225

See application file for complete search history.

(56) **References Cited**

**U.S. PATENT DOCUMENTS**

D505,146 S *	5/2005	Ou	.....	D16/202
D644,259 S *	8/2011	Barley	.....	D16/203
D753,750 S *	4/2016	Coward	.....	D16/202
D756,011 S *	5/2016	Nojima	.....	D26/51
D760,311 S *	6/2016	Cho	.....	D16/218
D819,107 S *	5/2018	Lu	.....	D16/203
D822,748 S *	7/2018	Van Deusen	.....	D16/208
D858,620 S *	9/2019	Fidler	.....	D16/242
D865,835 S *	11/2019	Fidler	.....	D16/202
D898,798 S *	10/2020	Xiong	.....	D16/202
D904,487 S *	12/2020	Xiong	.....	D16/208
D905,781 S *	12/2020	Liu	.....	D16/218
D907,098 S *	1/2021	Xiong	.....	D16/208
D909,451 S *	2/2021	Hamlin	.....	D16/208

D914,791 S *	3/2021	Sickler	.....	D16/208
D922,470 S *	6/2021	Wang	.....	D16/208
D947,920 S	4/2022	Muhlenkamp, IV et al.		

(Continued)

**FOREIGN PATENT DOCUMENTS**

CN	304073764	*	3/2017
CN	304483236	*	1/2018
CN	304747544	*	7/2018

**OTHER PUBLICATIONS**

“Zeroxclub Digital Wireless Backup Camera System Kit, IP69 Waterproof Wireless Rear View Camera + 7" LCD Wireless Reverse Monitor for RV/Truck/Trailer/Bus/Camper/5th Wheel (W01-7 inch)” from Amazon.com, first available Jul. 9, 2018 from the internet <<https://www.amazon.com/dp/B0773HXB23?tag=cnet-buy-button-20&ascsubtag=f40c8ad618e04f9289ee74d70e3de5c5%7C067300ee-f125-4e3b-b4be-5fe63d3befef%7Cdtp&th=1>> (Year: 2018).\*

(Continued)

*Primary Examiner* — Elizabeth J Oswecki  
*Assistant Examiner* — Lacey Chey Bowman  
(74) *Attorney, Agent, or Firm* — True Shepherd, LLC;  
Andrew Cheng

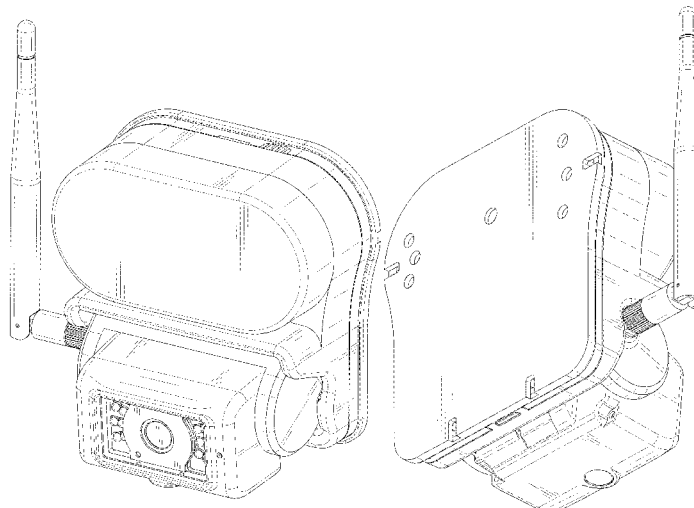
(57) **CLAIM**

The ornamental design for a camera, as shown and described.

**DESCRIPTION**

FIG. 1 is a front, right and top perspective view of a camera, showing my design.  
FIG. 2 is a rear, left and bottom perspective view thereof.  
FIG. 3 is a front elevation view thereof.  
FIG. 4 is a rear elevation view thereof.  
FIG. 5 is a left side elevation view thereof.  
FIG. 6 is a right side elevation view thereof.  
FIG. 7 is a top plan view thereof; and,  
FIG. 8 is a bottom plan view thereof.

**1 Claim, 8 Drawing Sheets**



(56)

**References Cited**

U.S. PATENT DOCUMENTS

D948,593 S \* 4/2022 Luo ..... D16/208  
D949,222 S 4/2022 Bergman et al.  
2017/0057423 A1\* 3/2017 Wang ..... H04N 5/2251

OTHER PUBLICATIONS

“Magnetic Wireless Backup Camera—LASTBUS Rechargeable Magnetic WiFi Backup Camera for Easy Hitching Gooseneck Horse Boat Travel Trailer Fifth Wheels RV Camper for iPhone iPad Android, Easy to Install” from Amazon.com, first available Dec. 3, 2020 from the internet <<https://www.amazon.com/dp/B08PKLXW6C?tag=caraudionow-20&linkCode=ogi&th=1&psc=1>> (Year: 2020).\*

\* cited by examiner

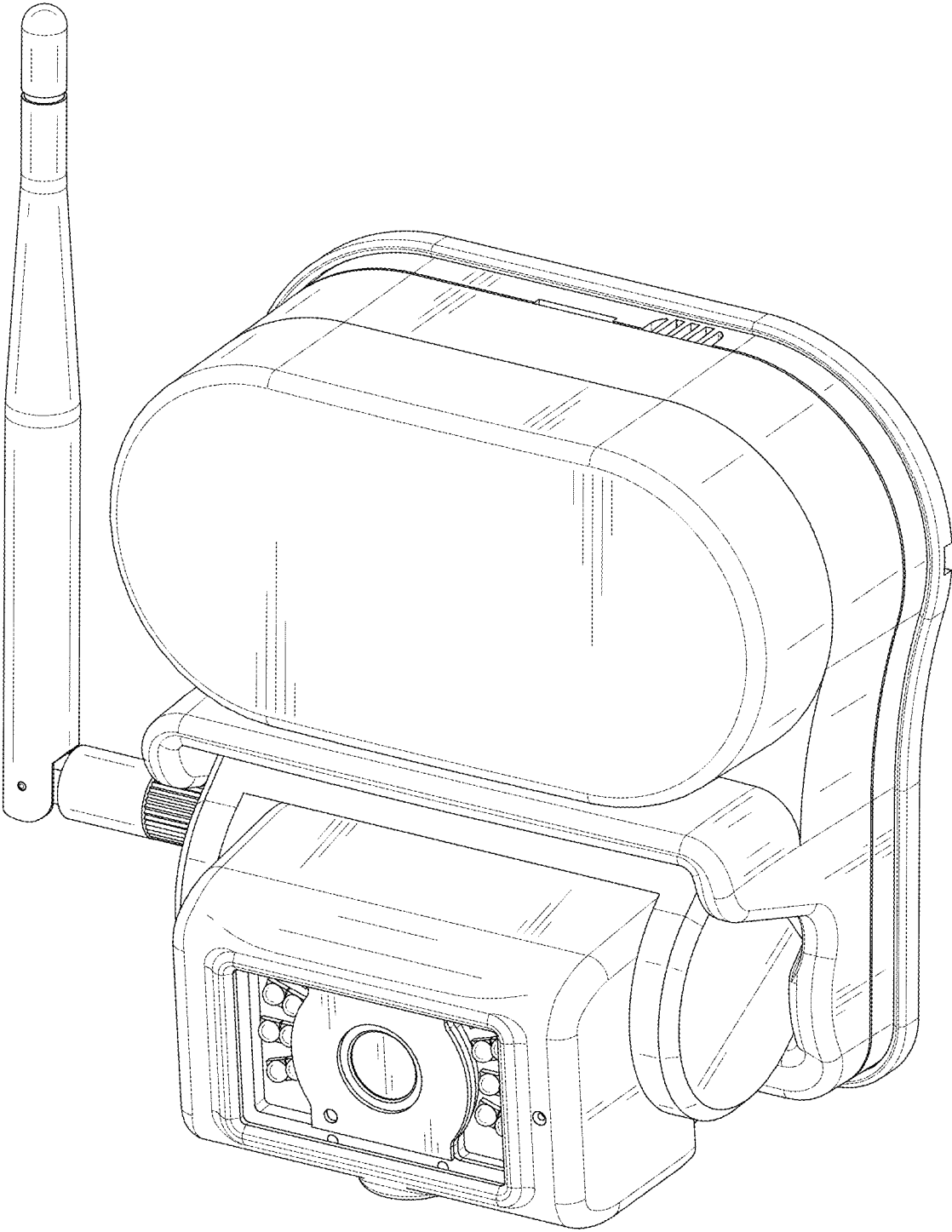


FIG. 1

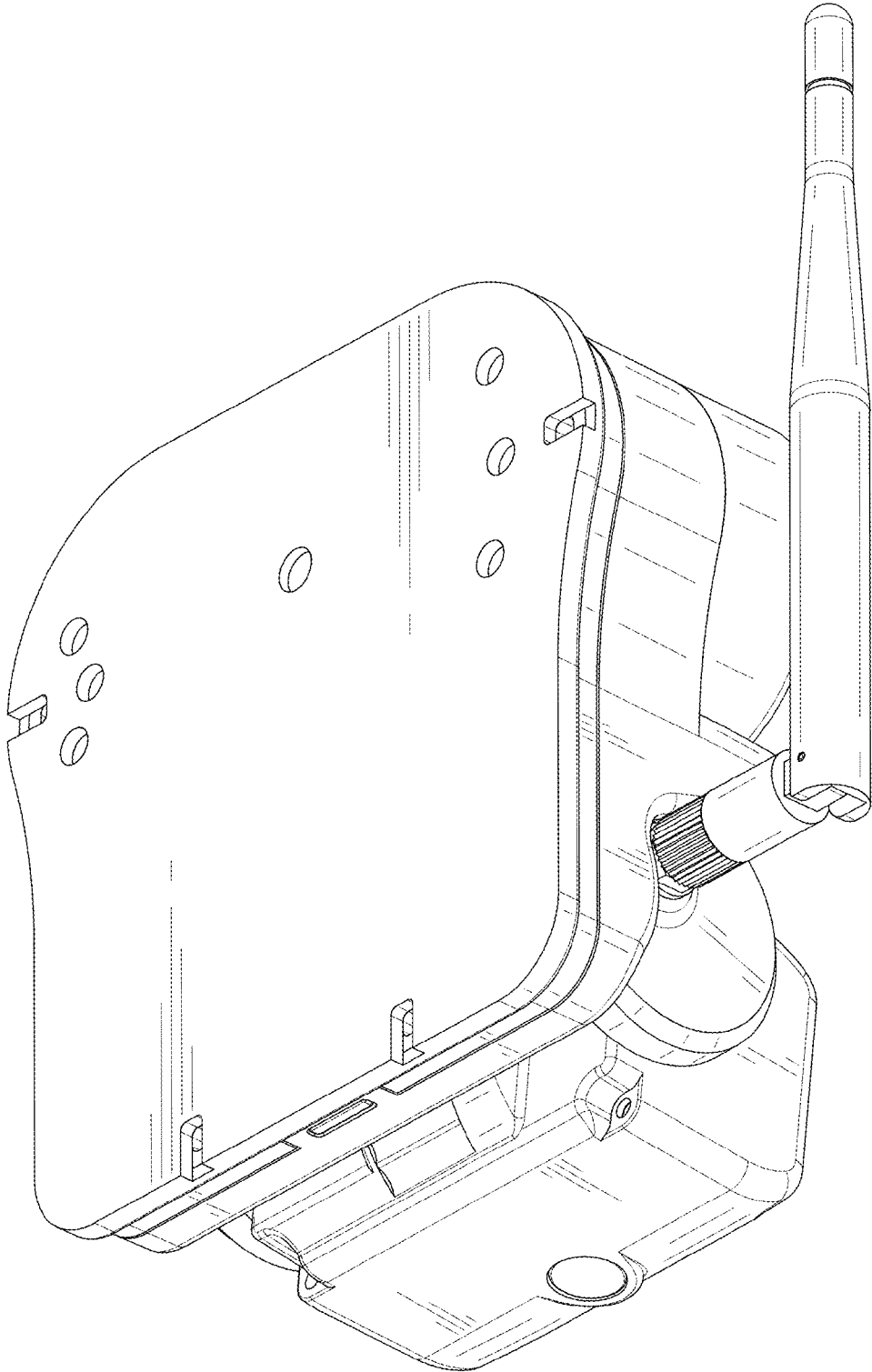


FIG.2

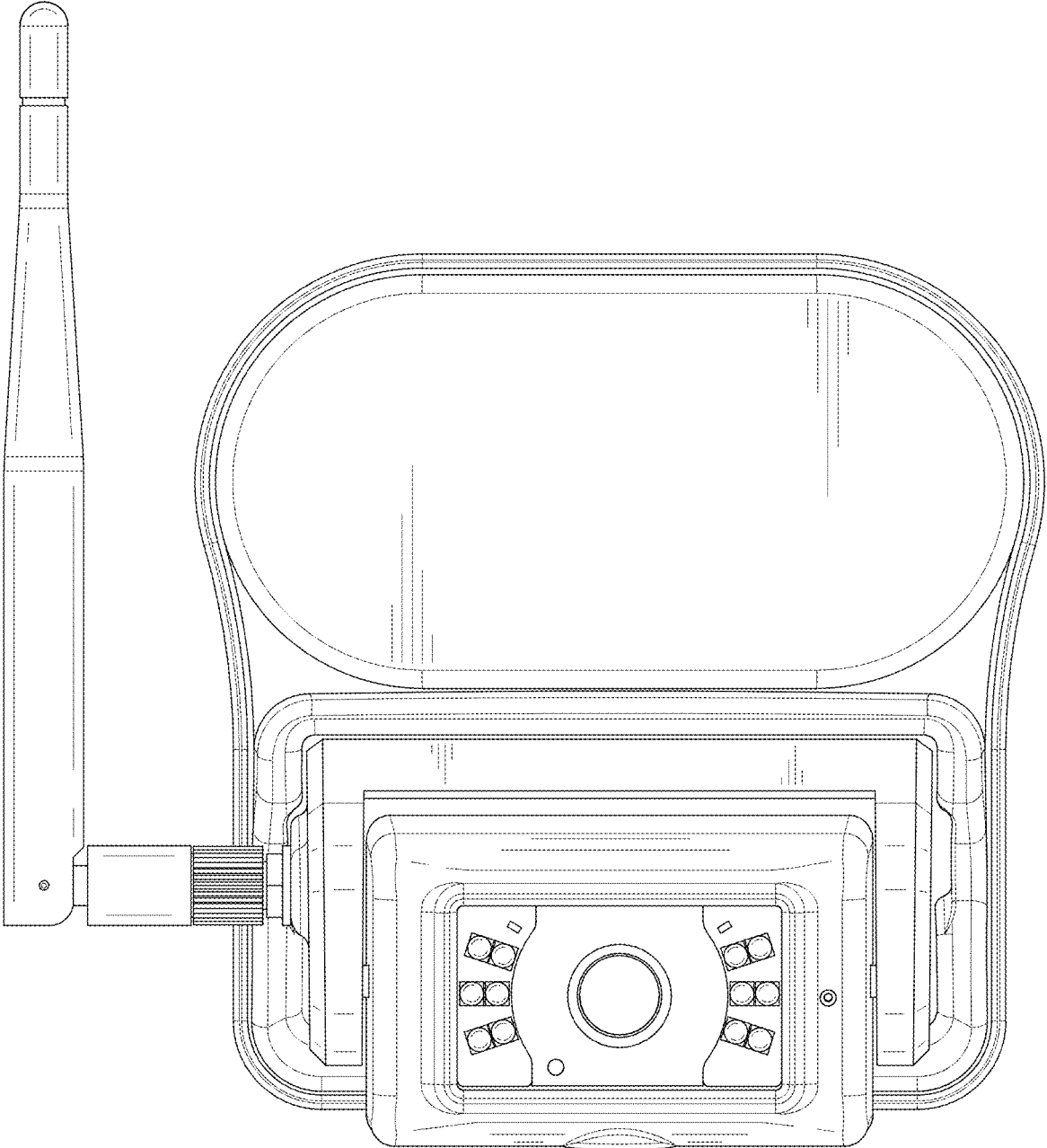


FIG. 3

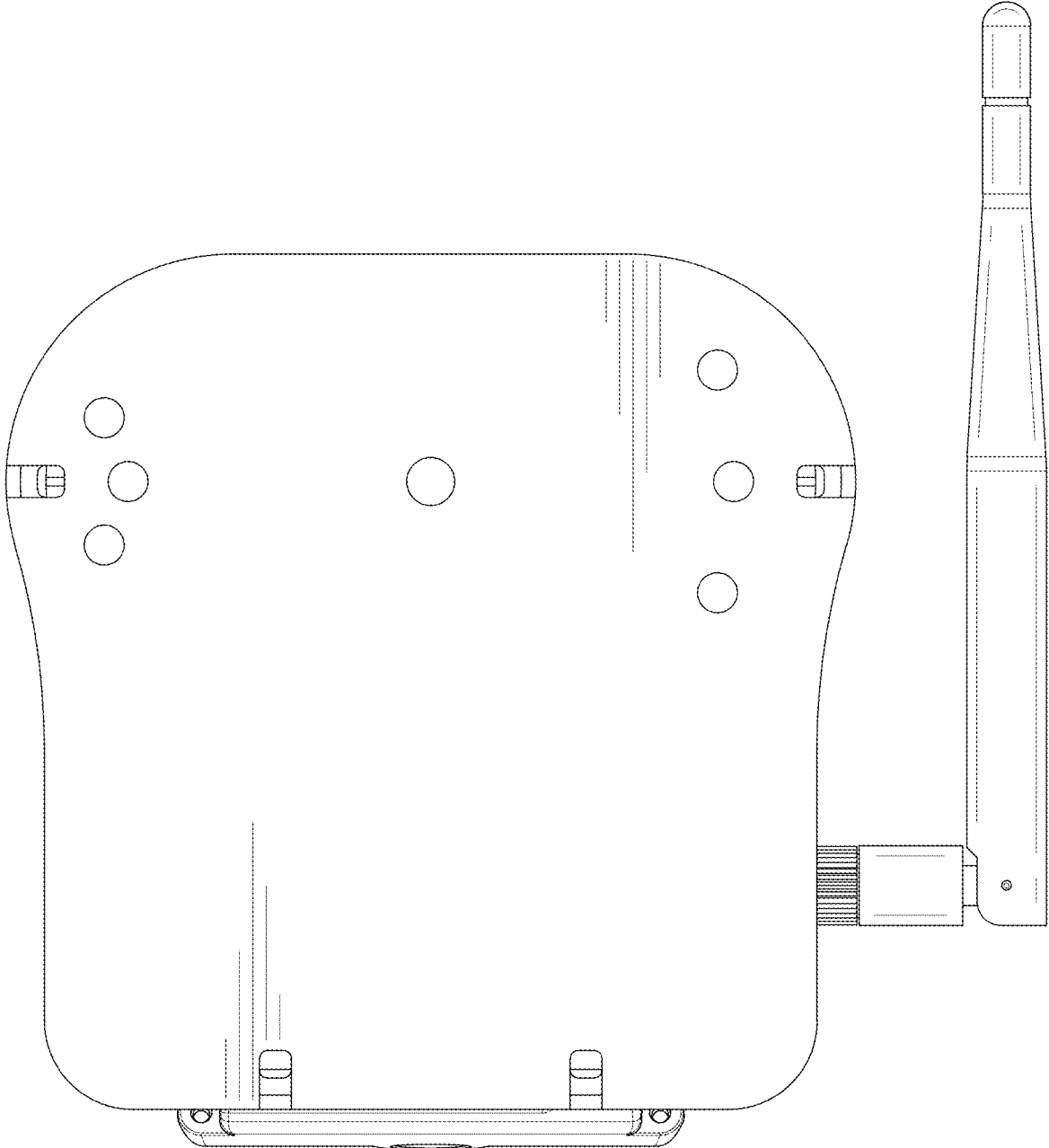


FIG.4

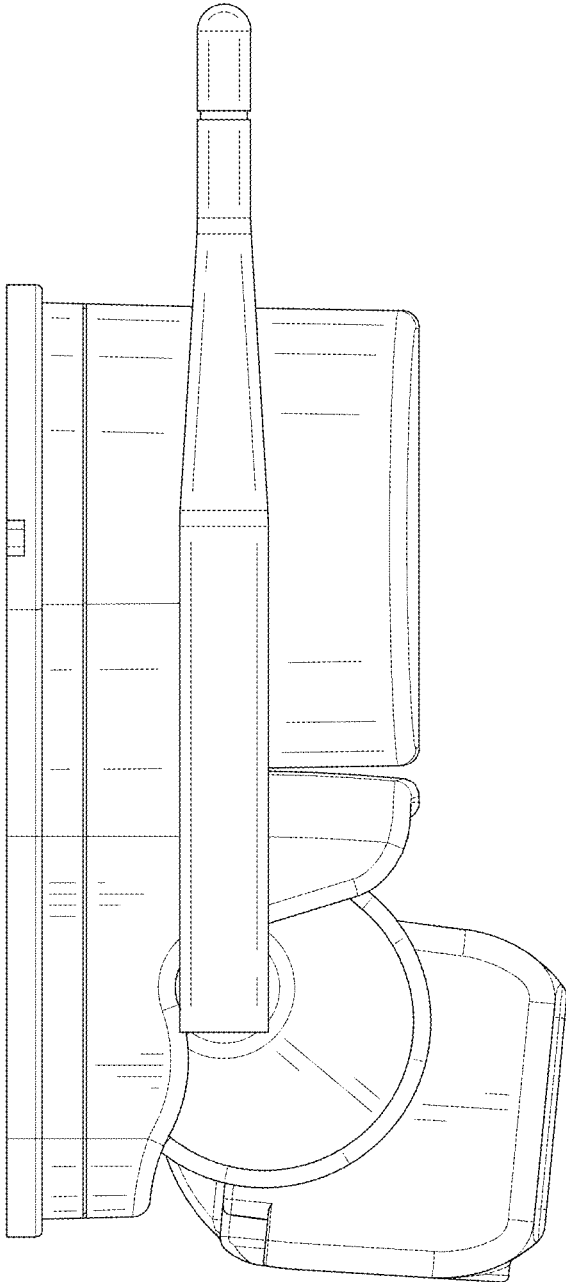


FIG. 5

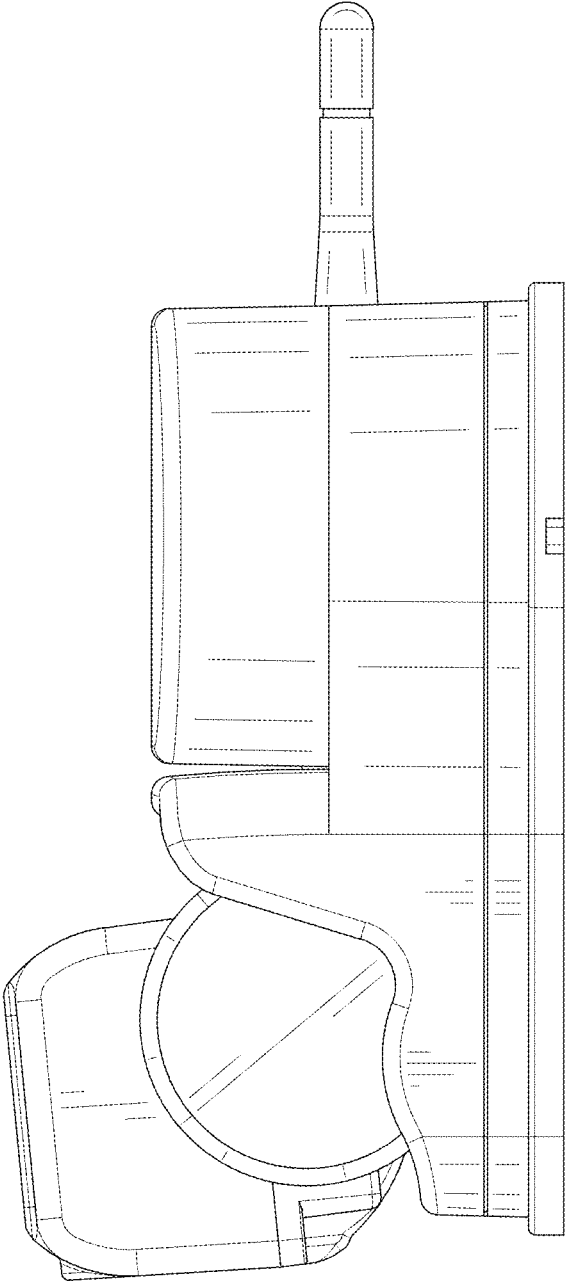


FIG. 6



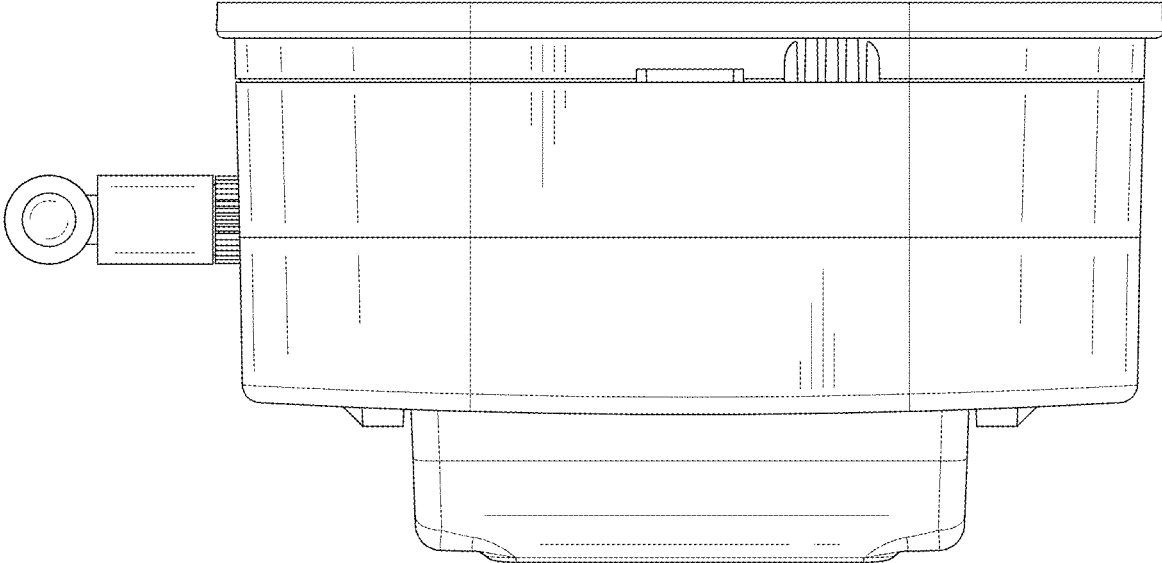


FIG. 7

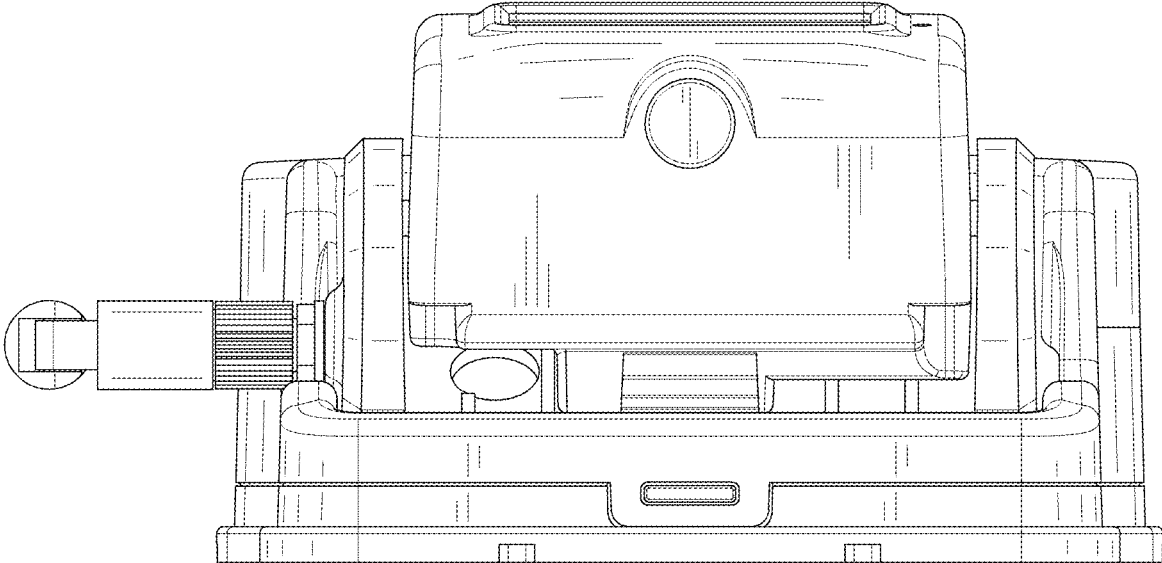


FIG. 8