



US00D752026S

(12) **United States Design Patent**
Yang

(10) **Patent No.:** **US D752,026 S**

(45) **Date of Patent:** **** Mar. 22, 2016**

(54) **HEADPHONE**

(71) Applicant: **Shenzhen Soundsoul Information Technology Co. Ltd.**, Shenzhen (CN)

(72) Inventor: **Yong Yang**, Shenzhen (CN)

(73) Assignee: **Shenzhen Soundsoul Information Technology Co. Ltd.**, Shenzhen (CN)

(**) Term: **14 Years**

(21) Appl. No.: **29/513,360**

(22) Filed: **Dec. 30, 2014**

(51) **LOC (10) Cl.** **14-01**

(52) **U.S. Cl.**

USPC **D14/223**

(58) **Field of Classification Search**

USPC D14/223, 205, 206; D24/174; 181/129, 181/130, 135; 379/430, 431; 381/380, 381, 381/370, 371, 374, 375; 455/90.3, 575.1

CPC H04R 1/10

See application file for complete search history.

(56) **References Cited**

U.S. PATENT DOCUMENTS

2,430,229	A	*	11/1947	Kelsey	381/338
D208,784	S	*	10/1967	Sanzone	D24/174
3,475,566	A	*	10/1969	Bauer	381/323
4,720,857	A	*	1/1988	Burris et al.	379/430
D427,994	S	*	7/2000	Pirelli	D14/223
6,301,367	B1	*	10/2001	Boyden et al.	381/376
D457,513	S	*	5/2002	Pirelli et al.	D14/223
6,445,805	B1	*	9/2002	Grugel	381/330
D472,889	S	*	4/2003	Tanaka et al.	D14/206
D479,834	S	*	9/2003	Salazar et al.	D14/205
D502,171	S	*	2/2005	Tang et al.	D14/223
D509,210	S	*	9/2005	Skulley et al.	D14/205

D510,337	S	*	10/2005	Tages	D14/205
D511,768	S	*	11/2005	Naito et al.	D14/223
D517,054	S	*	3/2006	Yang	D14/223
7,079,664	B2	*	7/2006	Nassimi	381/380
D535,642	S	*	1/2007	Garcia et al.	D14/206
D559,836	S	*	1/2008	Lee	D14/223
D566,105	S	*	4/2008	Yang et al.	D14/223
D574,814	S	*	8/2008	Hammond	D14/223
D575,277	S	*	8/2008	Gaarde et al.	D14/223
D593,076	S	*	5/2009	Kung et al.	D14/223
D613,726	S	*	4/2010	Blanchard et al.	D14/223
D617,779	S	*	6/2010	Nylen	D14/223
D658,157	S	*	4/2012	McManigal	D14/205
D667,817	S	*	9/2012	Otani	D14/223
D668,244	S	*	10/2012	Matsumura	D14/223
8,548,186	B2	*	10/2013	Alwicker et al.	381/371
D705,760	S	*	5/2014	Drambarean	D14/223
D735,169	S	*	7/2015	Shieh	D14/223

* cited by examiner

Primary Examiner — Paula Greene

(74) *Attorney, Agent, or Firm* — Schmeiser Olsen & Watts, LLP

(57) **CLAIM**

The ornamental design for a headphone, as shown and described.

DESCRIPTION

FIG. 1 and is a front perspective view of a headphone showing my new design;

FIG. 2 is a front elevational view thereof

FIG. 3 is a rear elevational view thereof;

FIG. 4 is a left side elevational view thereof;

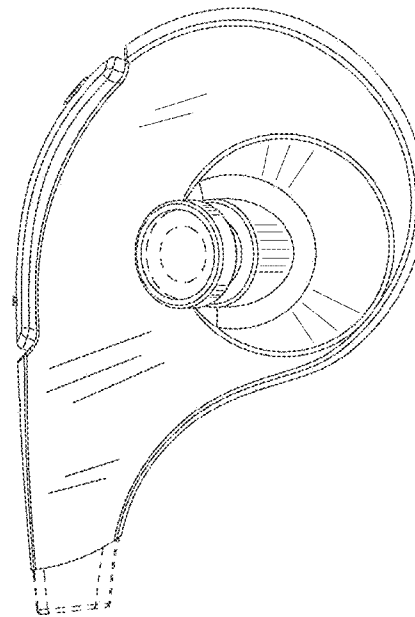
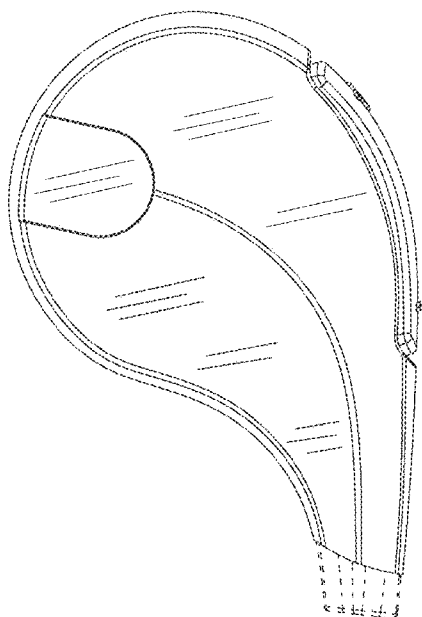
FIG. 5 is a right side elevational view thereof;

FIG. 6 is a top plan view thereof; and,

FIG. 7 is a bottom plan view thereof.

The broken lines form no part of the claimed design.

1 Claim, 7 Drawing Sheets



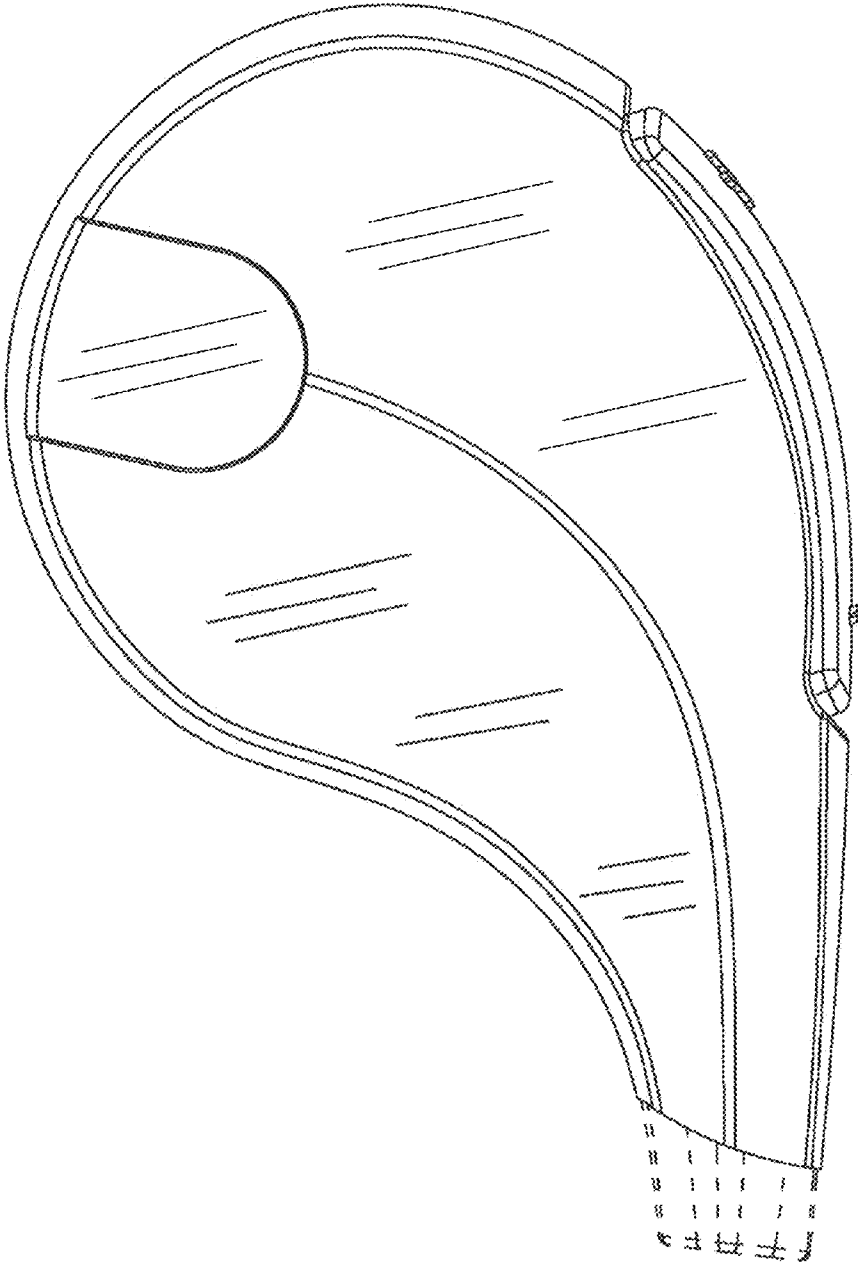


Figure 1

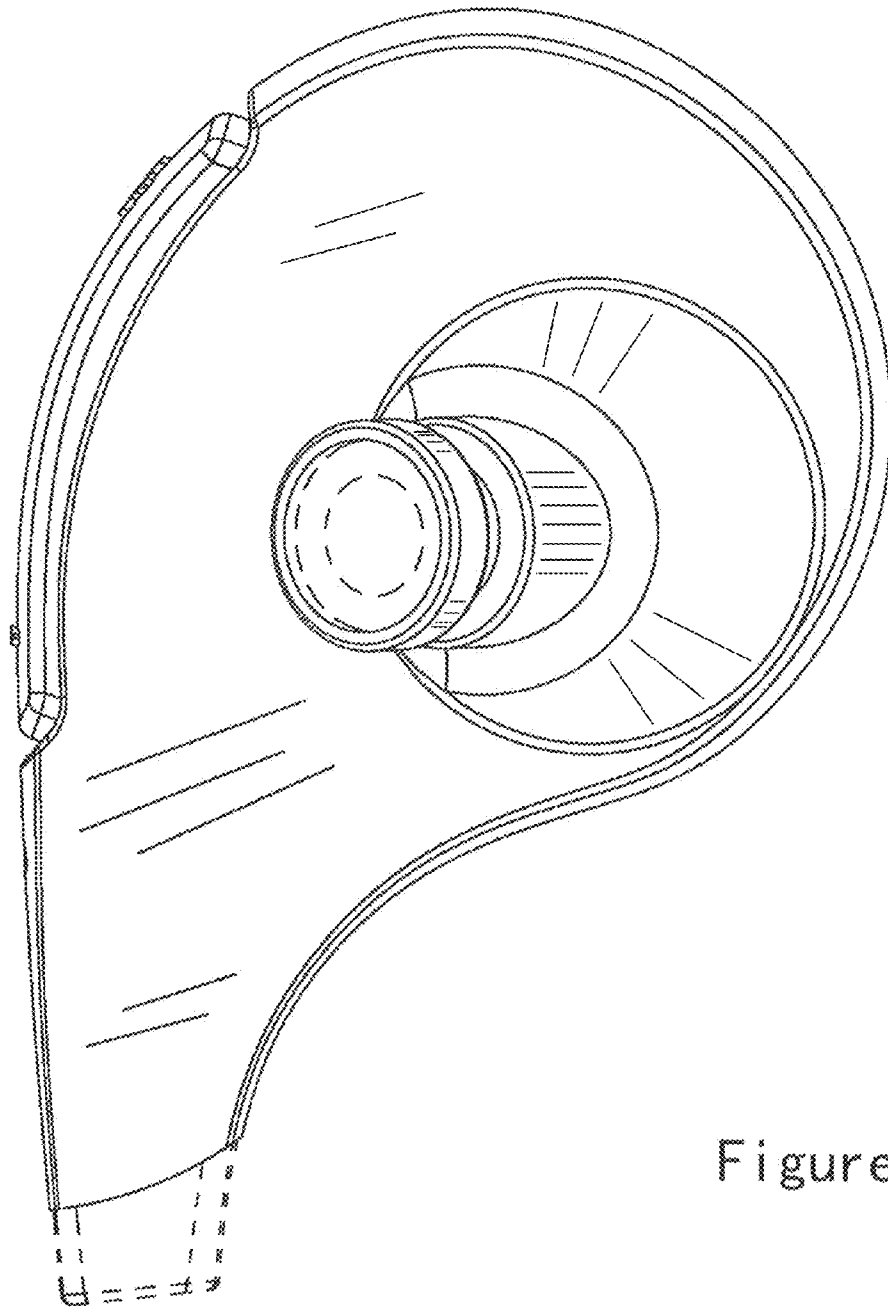


Figure 2

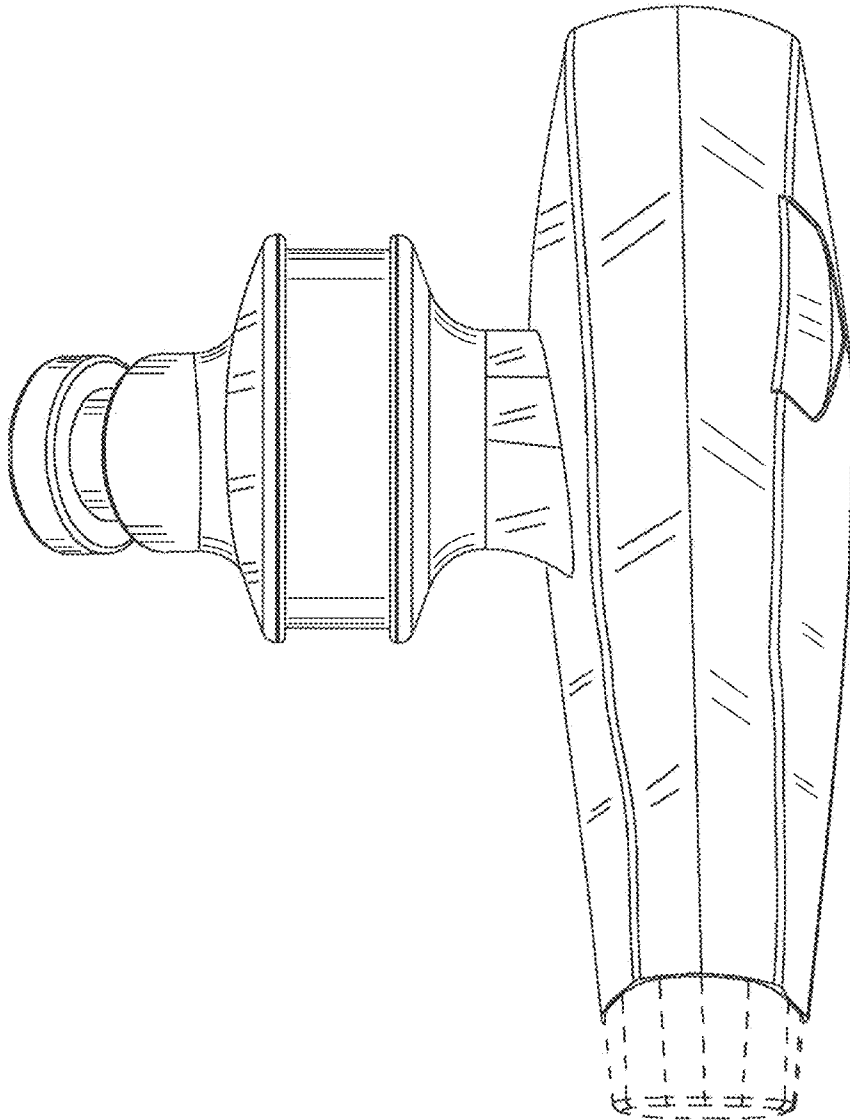


Figure 3

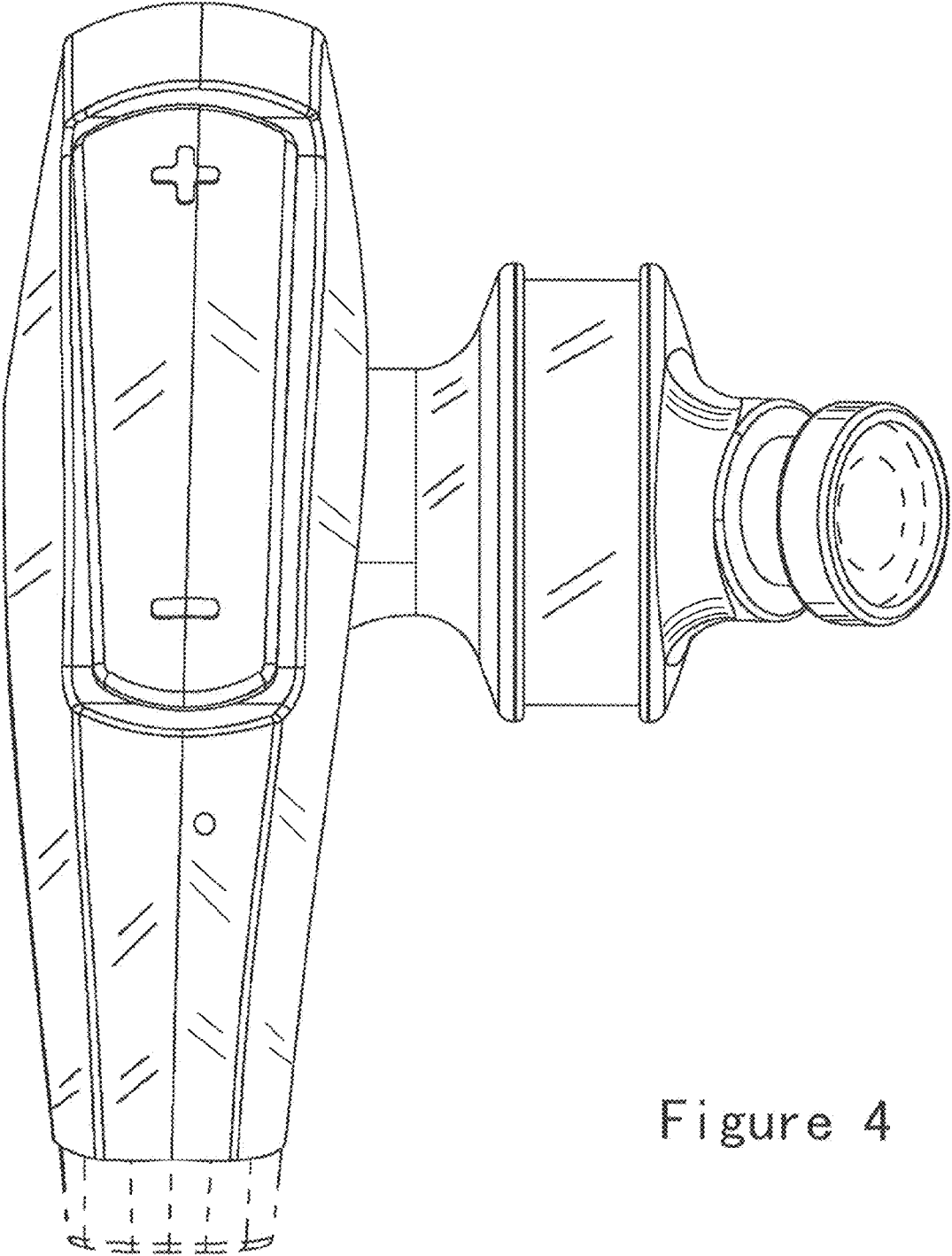


Figure 4

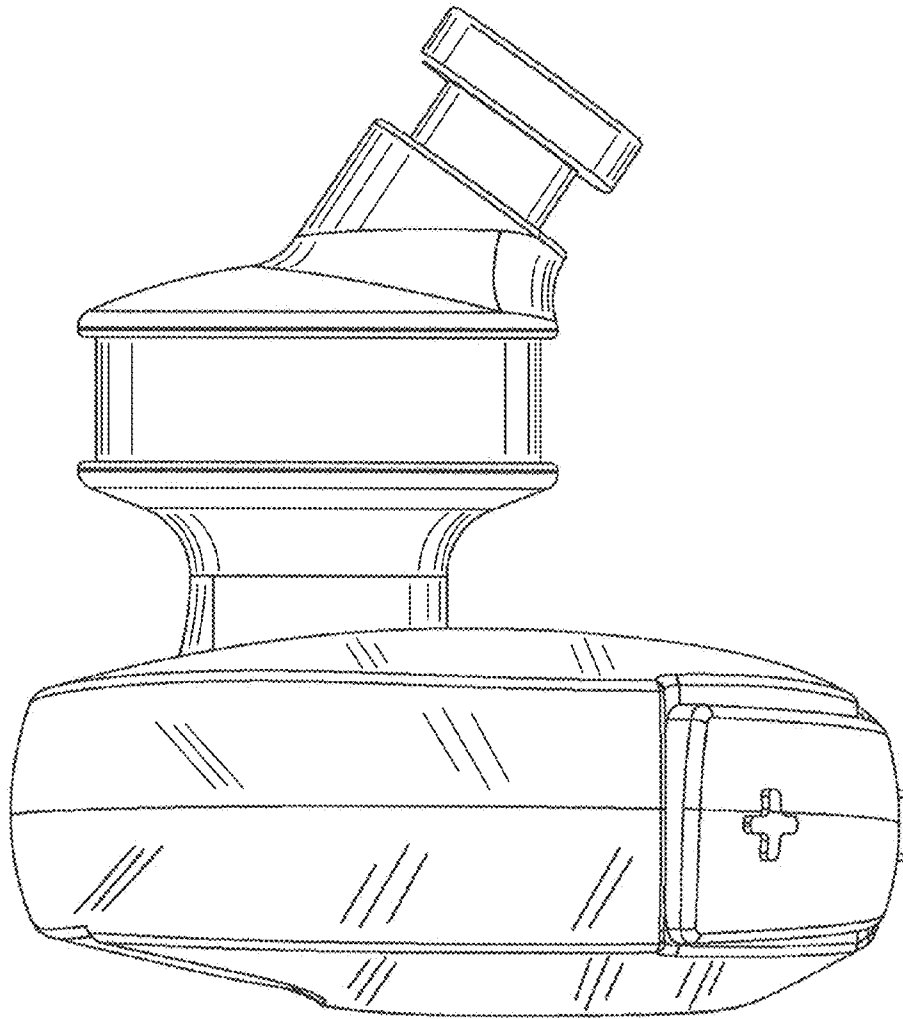


Figure 5

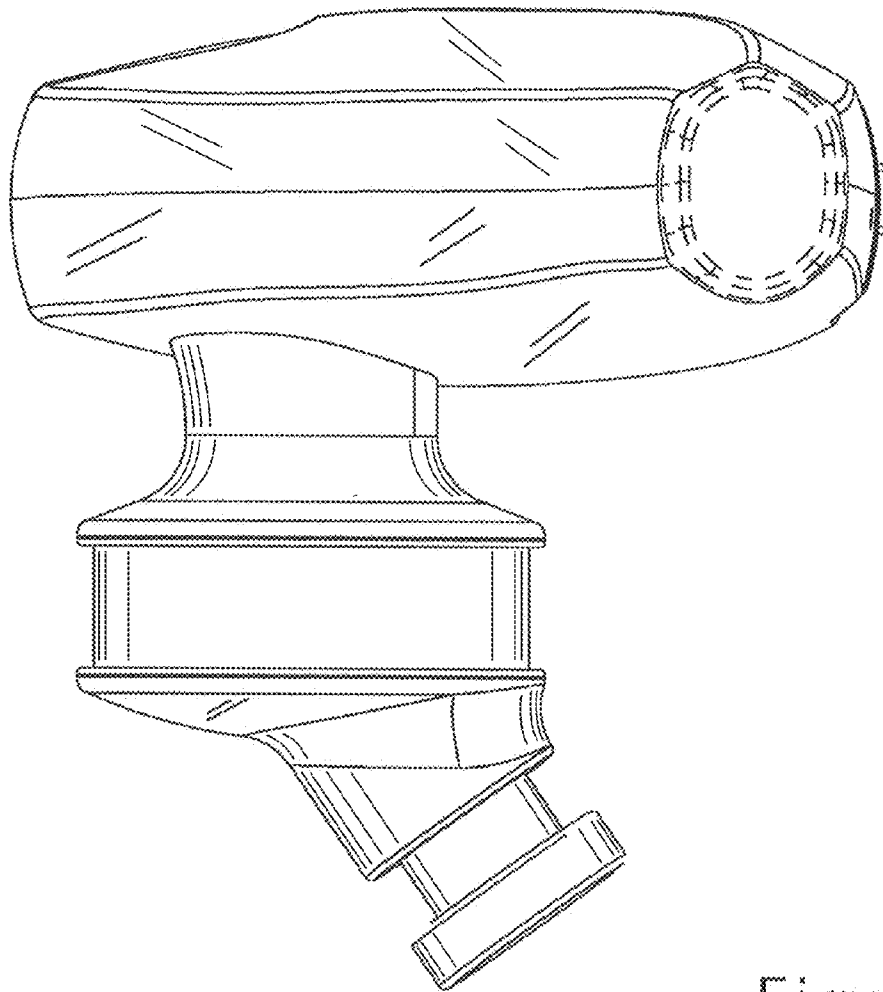


Figure 6

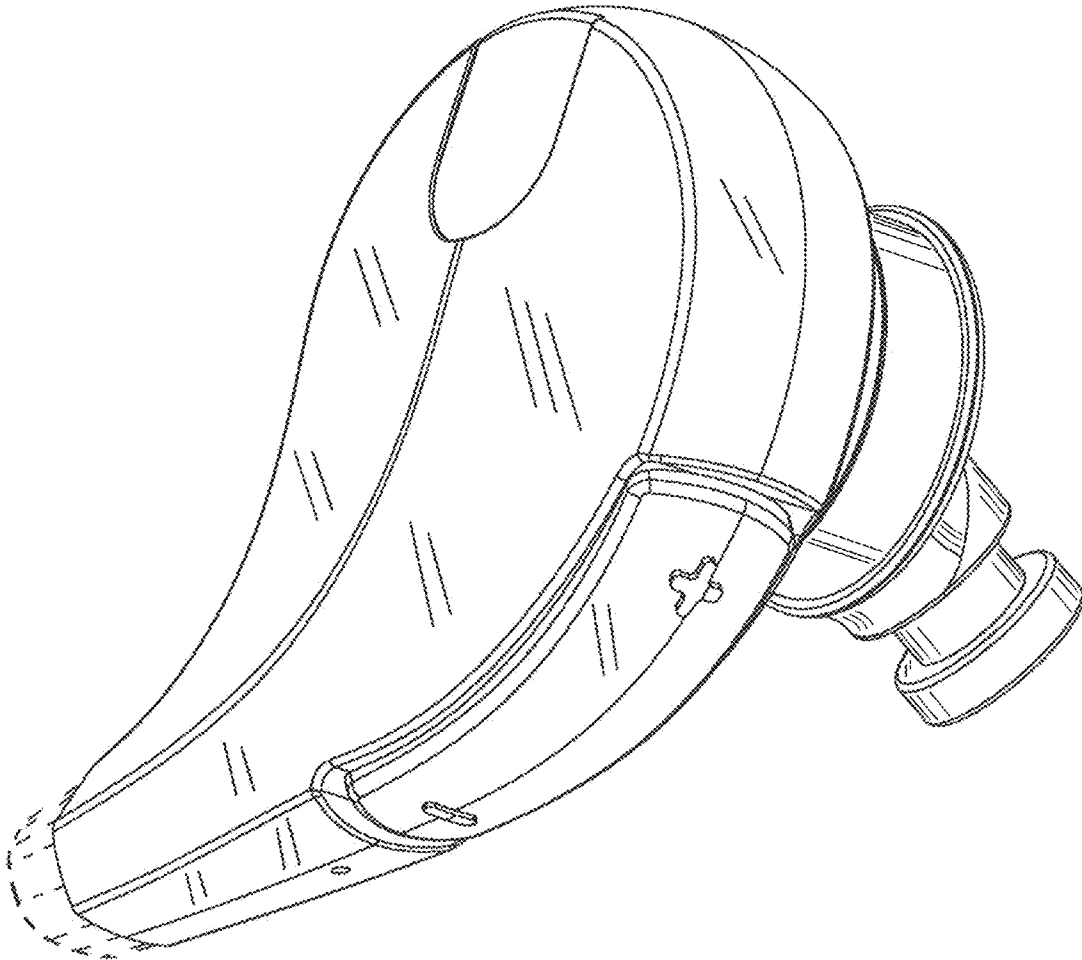


Figure 7