



(12) **United States Design Patent**  
**Green**

(10) **Patent No.:** **US D799,088 S**

(45) **Date of Patent:** **\*\* Oct. 3, 2017**

(54) **FLASHLIGHT**

OTHER PUBLICATIONS

(71) Applicant: **HOME DEPOT PRODUCT AUTHORITY, LLC**, Atlanta, GA (US)

Images of Rayovac Indestructible 2 AA Flashlight, DIY2AA-B, publicly available prior to Aug. 22, 2014.

(Continued)

(72) Inventor: **Adam Green**, Atlanta, GA (US)

*Primary Examiner* — Sandra Morris

(73) Assignee: **Home Depot Product Authority, LLC**, Atlanta, GA (US)

(74) *Attorney, Agent, or Firm* — Greenberg Traurig, LLP

(\*\*) Term: **15 Years**

(57) **CLAIM**

(21) Appl. No.: **29/564,339**

I claim the ornamental design for a flashlight, as shown and described.

(22) Filed: **May 12, 2016**

**DESCRIPTION**

**Related U.S. Application Data**

(62) Division of application No. 29/500,257, filed on Aug. 22, 2014, now Pat. No. Des. 757,319.

(51) **LOC (10) Cl.** ..... **26-02**

(52) **U.S. Cl.**  
USPC ..... **D26/49**

(58) **Field of Classification Search**

USPC ..... D26/37–51, 56–60, 67; 362/103–105, 362/184, 194–196, 202–206; D22/117  
CPC ... F21L 4/00; F21L 4/005; F21L 4/022; F21L 4/025; F21L 4/027; F21L 7/00; F21L 19/00; F21V 21/084; F21V 21/0085; F21W 2111/10

See application file for complete search history.

FIG. 1 is a perspective view of a first embodiment of my flashlight;  
FIG. 2 is a front view thereof;  
FIG. 3 is a back view thereof;  
FIG. 4 is a left side view thereof;  
FIG. 5 is a right side view thereof;  
FIG. 6 is a top view thereof;  
FIG. 7 is a bottom view thereof;  
FIG. 8 is a perspective view of a second embodiment of my flashlight;  
FIG. 9 is a front view thereof;  
FIG. 10 is a back view thereof;  
FIG. 11 is a left side view thereof;  
FIG. 12 is a right side view thereof;  
FIG. 13 is a top view thereof; and,  
FIG. 14 is a bottom view thereof.

The oblique lines on the lenses of my designs (as visible in FIGS. 1, 6, 8, and 13) indicate that they are at least translucent and may be transparent. The dashed lines in the figures are for illustrative purposes only and form no part of the claimed design. All other surface(s) or portion(s) of my designs not shown in the figures or otherwise described in the specification, such as the locations behind the lenses, form no part of the claimed design.

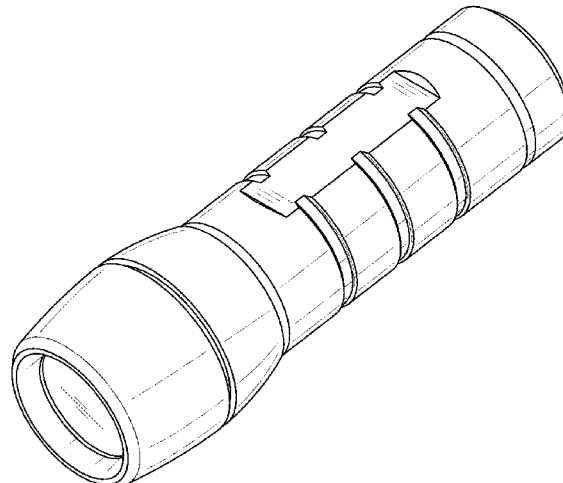
(56) **References Cited**

**U.S. PATENT DOCUMENTS**

D565,769 S	4/2008	Shiu
D604,437 S	11/2009	Yang
D608,033 S	1/2010	Hesse et al.
D608,034 S	1/2010	Hesse et al.
D640,400 S	6/2011	Huang
D656,261 S	3/2012	Lee
D659,270 S	5/2012	Nguyen et al.
D659,272 S	5/2012	Nguyen et al.

(Continued)

**1 Claim, 8 Drawing Sheets**



(56)

**References Cited**

U.S. PATENT DOCUMENTS

D671,249 S 11/2012 Sheikh et al.  
D710,526 S 8/2014 Lee

OTHER PUBLICATIONS

Office Action received in Canadian Counterpart Application to related application U.S. Appl. No. 29/564,339, dated Apr. 29, 2016 (1 page).

Office Action received in Canadian Counterpart Application to related U.S. Appl. No. 29/564,343, dated Apr. 29, 2016 (4 pages).

Office Action received in Canadian Counterpart Application to related U.S. Appl. No. 29/564,348, dated Apr. 29, 2016 (1 page).

Office Action received in Canadian Counterpart Application to related U.S. Appl. No. 29/564,350, dated Apr. 29, 2016 (1 page).

Office Action received in Canadian Counterpart Application to related U.S. Appl. No. 29/594,353, dated Apr. 29, 2016 (3 page).

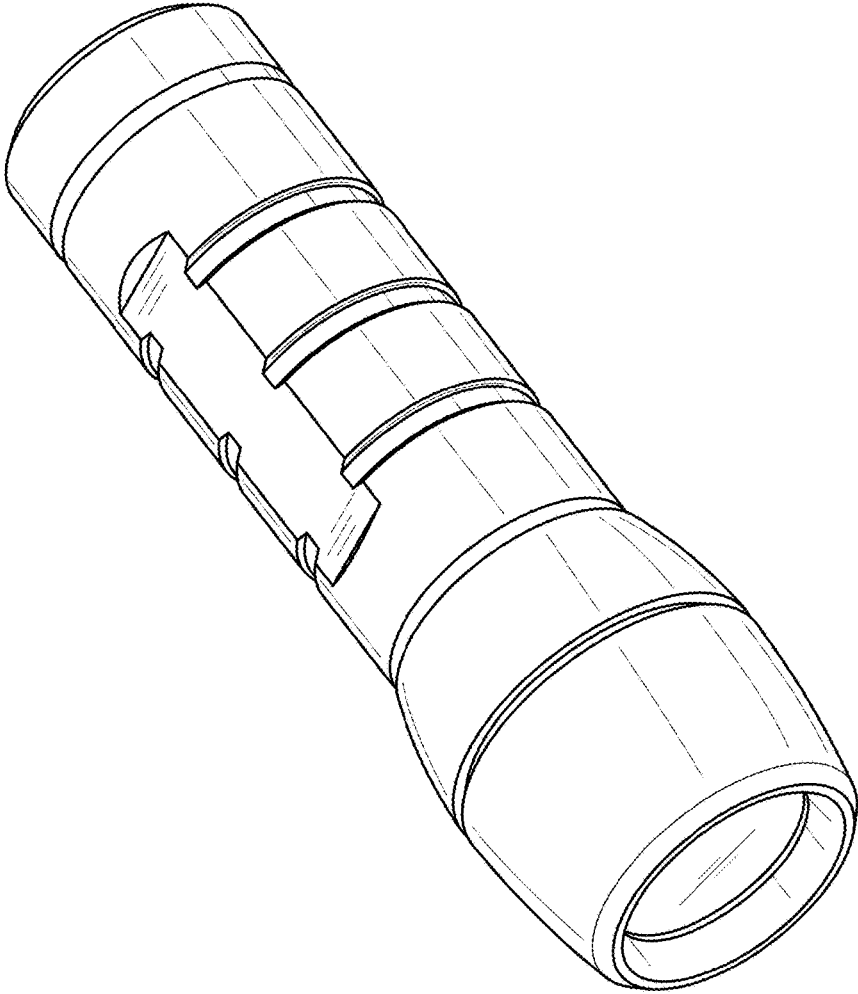


FIG. 1

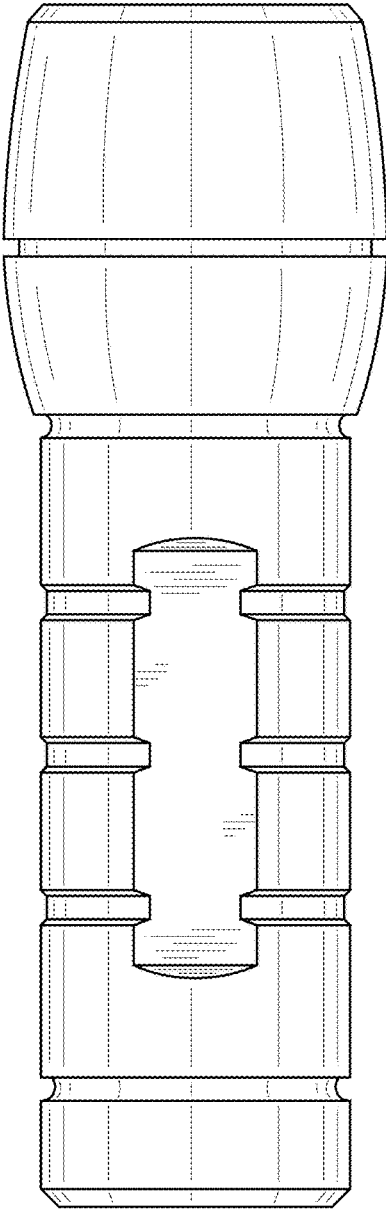


FIG. 2

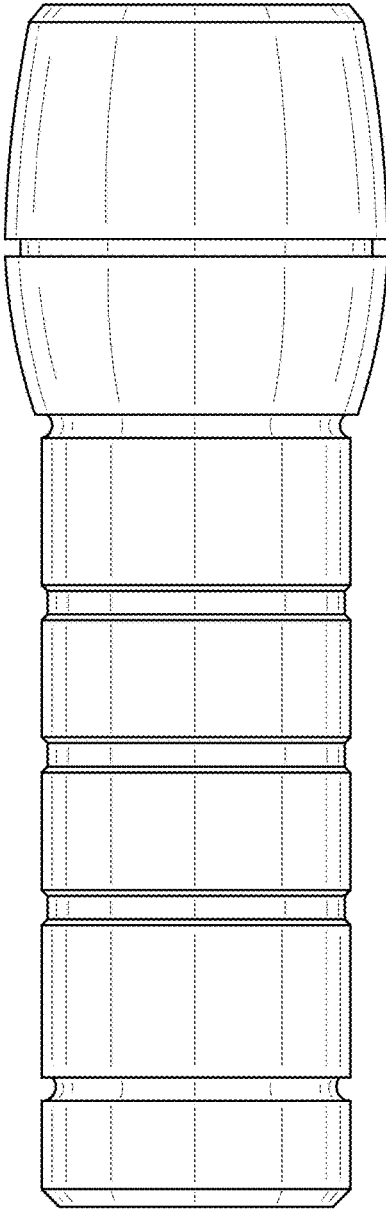


FIG. 3

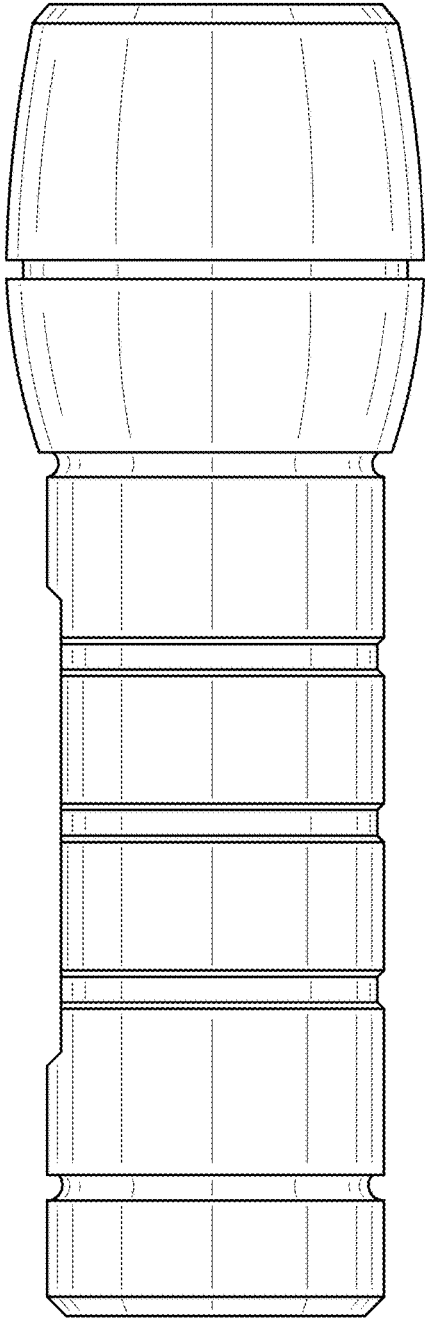


FIG. 4

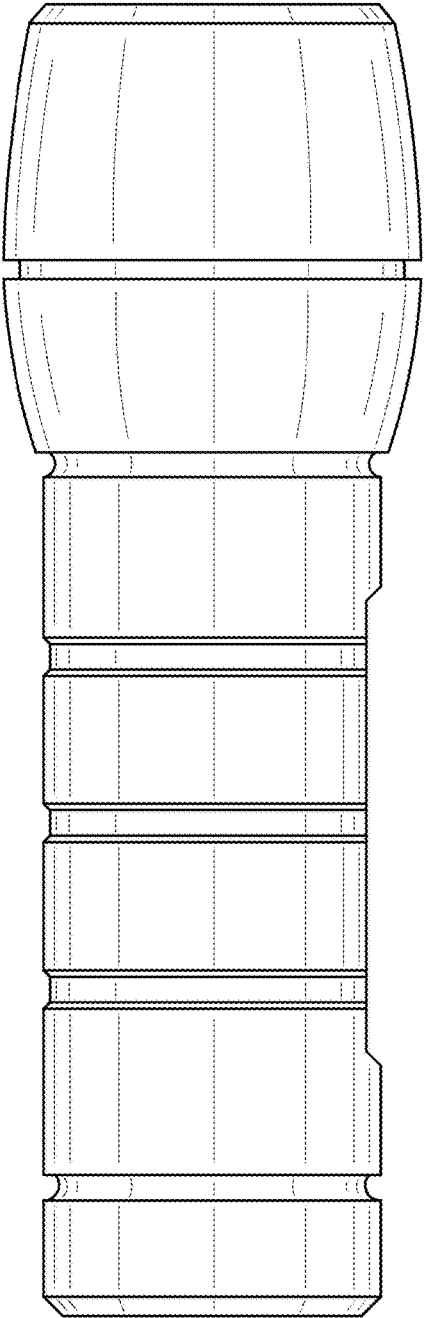


FIG. 5

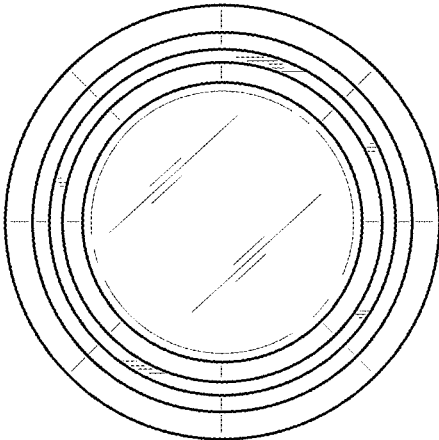


FIG. 6

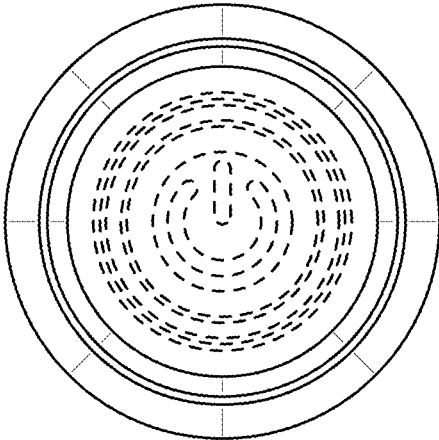


FIG. 7

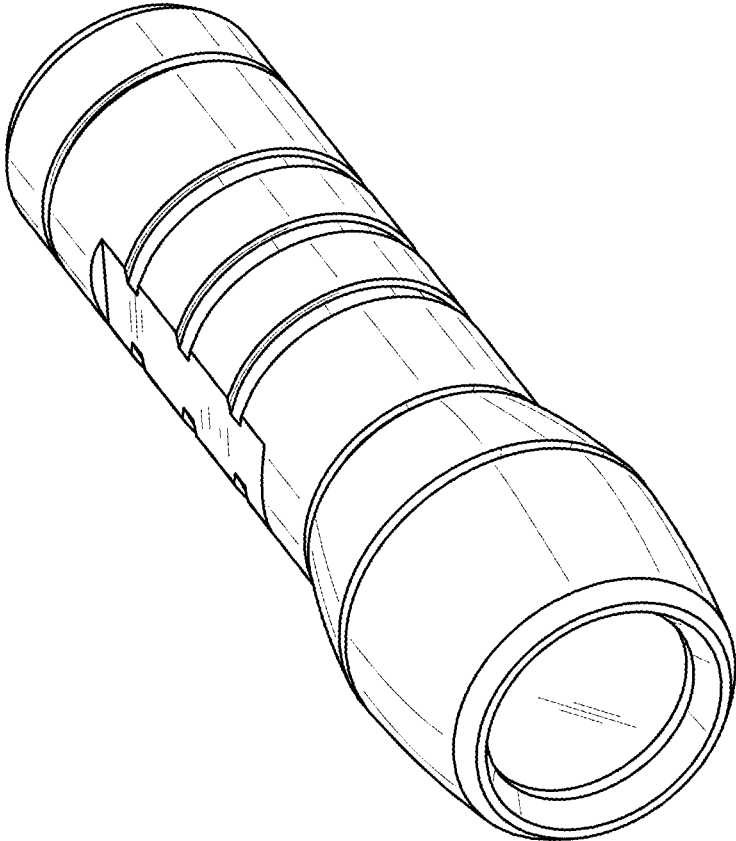


FIG. 8

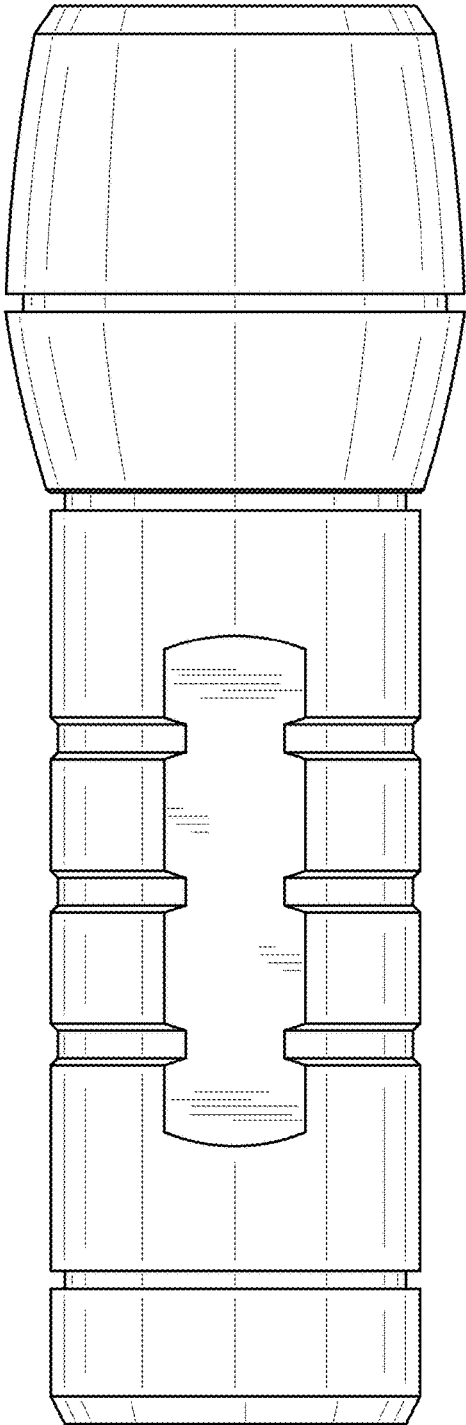


FIG. 9

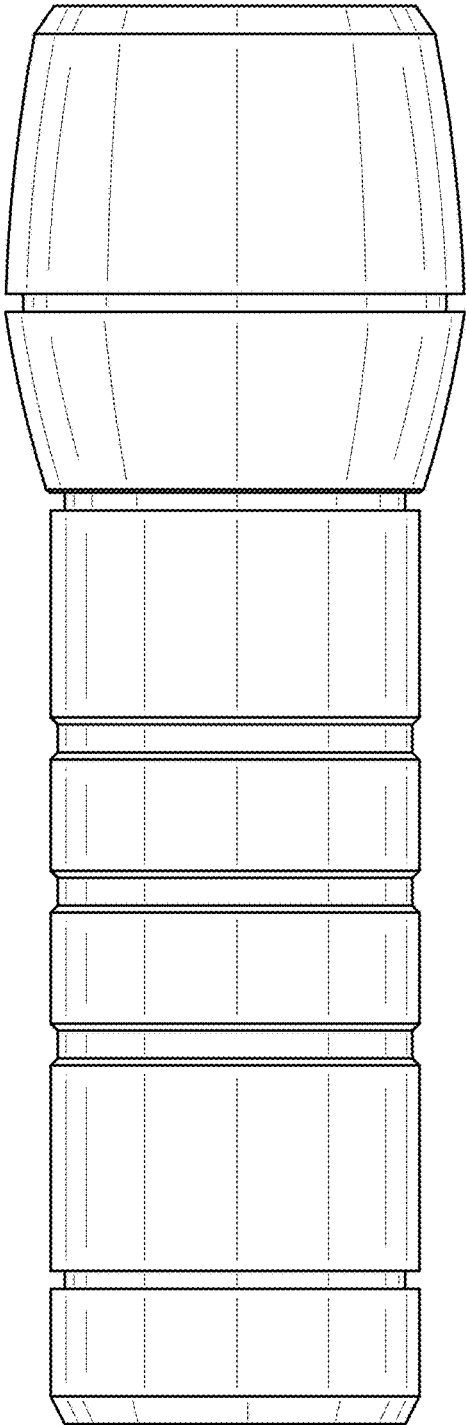


FIG. 10



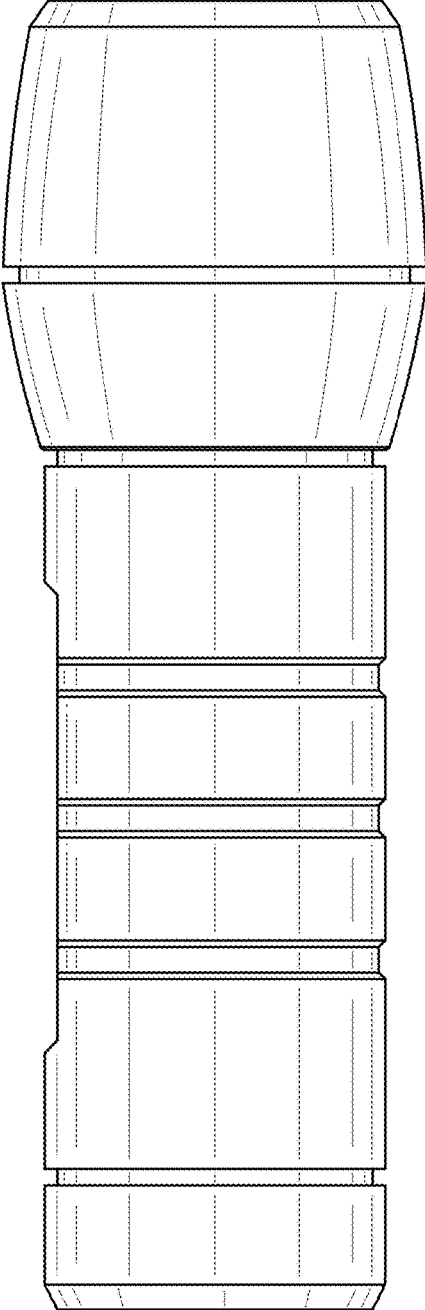


FIG. 11

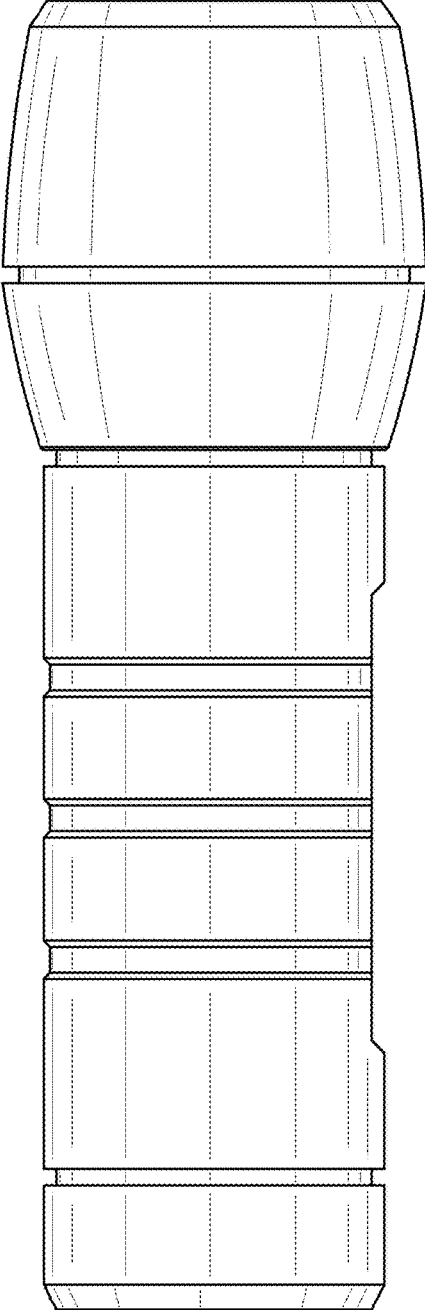


FIG. 12

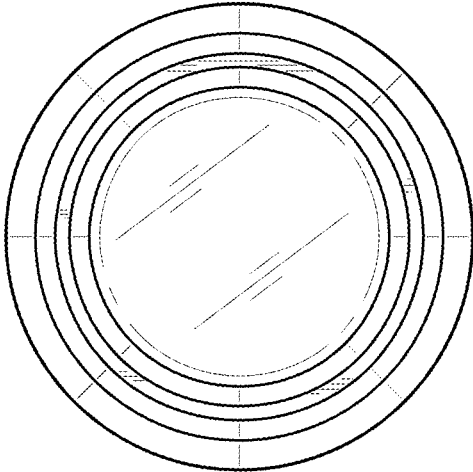


FIG. 13

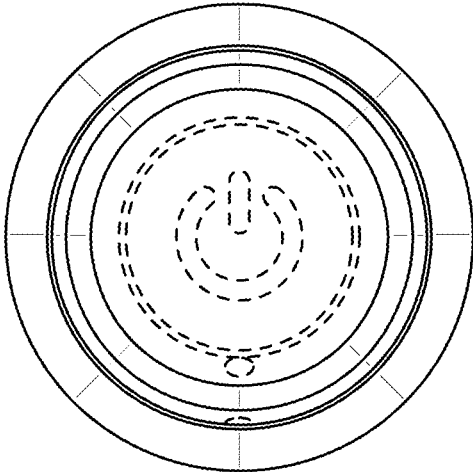


FIG. 14