

(19) World Intellectual Property Organization
International Bureau



(43) International Publication Date
7 June 2007 (07.06.2007)

PCT

(10) International Publication Number
WO 2007/065119 A3

(51) International Patent Classification:
A61M 5/32 (2006.01)

[US/US]; 1310 South Lakeshore Drive, Sarasota, FL 34231 (US).

(21) International Application Number:
PCT/US2006/061393

(74) Agent: BURN, Mark, J.; Haugen Law Firm PLLP, 121 South Eighth Street, 1130 TCF Tower, Minneapolis, MN 55402 (US).

(22) International Filing Date:
30 November 2006 (30.11.2006)

(81) Designated States (unless otherwise indicated, for every kind of national protection available): AE, AG, AL, AM, AT, AU, AZ, BA, BB, BG, BR, BW, BY, BZ, CA, CH, CN, CO, CR, CU, CZ, DE, DK, DM, DZ, EC, EE, EG, ES, FI, GB, GD, GE, GH, GM, GT, HN, HR, HU, ID, IL, IN, IS, JP, KE, KG, KM, KN, KP, KR, KZ, LA, LC, LK, LR, LS, LT, LU, LV, LY, MA, MD, MG, MK, MN, MW, MX, MY, MZ, NA, NG, NI, NO, NZ, OM, PG, PH, PL, PT, RO, RS, RU, SC, SD, SE, SG, SK, SL, SM, SV, SY, TJ, TM, TN, TR, TT, TZ, UA, UG, US, UZ, VC, VN, ZA, ZM, ZW.

(25) Filing Language: English

(26) Publication Language: English

(30) Priority Data:
11/290,044 30 November 2005 (30.11.2005) US

(71) Applicant (for all designated States except US): GENE E. MYERS ENTERPRISES, INC. [US/US]; 1310 South Lakeshore Drive, Sarasota, FL 34231 (US).

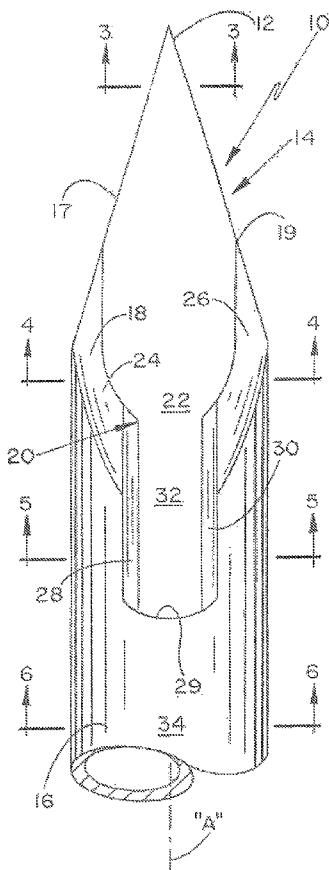
(84) Designated States (unless otherwise indicated, for every kind of regional protection available): ARIPO (BW, GH, GM, KE, LS, MW, MZ, NA, SD, SL, SZ, TZ, UG, ZM, ZW), Eurasian (AM, AZ, BY, KG, KZ, MD, RU, TJ, TM),

(72) Inventor; and

(75) Inventor/Applicant (for US only): MYERS, Gene, E.

[Continued on next page]

(54) Title: METHOD AND APPARATUS FOR CONTEMPORANEOUS FORMATION OF A BODY STRUCTURE OPENING AND HOMOLOGOUS PEDICLE



(57) Abstract: The present invention provides a surgical needle apparatus having a piercing tip at a distal portion of a needle member. A first edge obliquely extends from the piercing tip to a heel portion of the needle member to define a partial boundary of a bore in fluid communication with a lumen of the needle member. A pair of cutting edges extend longitudinally from the first edge and extend radially outwardly above on outer surface of the needle member. The surgical needle apparatus is configured to create a body structure access site and an adjacent homologous pedicle for post-procedure sealing of the access site.

WO 2007/065119 A3



European (AT, BE, BG, CH, CY, CZ, DE, DK, EE, ES, FI, FR, GB, GR, HU, IE, IS, IT, LT, LU, LV, MC, NL, PL, PT, RO, SE, SI, SK, TR), OAPI (BF, BJ, CF, CG, CI, CM, GA, GN, GQ, GW, ML, MR, NE, SN, TD, TG).

Declarations under Rule 4.17:

- *as to applicant's entitlement to apply for and be granted a patent (Rule 4.17(ii))*
- *as to the applicant's entitlement to claim the priority of the earlier application (Rule 4.17(iii))*

Published:

- *with international search report*
- *before the expiration of the time limit for amending the claims and to be republished in the event of receipt of amendments*

(88) Date of publication of the international search report:

1 November 2007

For two-letter codes and other abbreviations, refer to the "Guidance Notes on Codes and Abbreviations" appearing at the beginning of each regular issue of the PCT Gazette.

INTERNATIONAL SEARCH REPORT

International application No.
PCT/US06/61393

A. CLASSIFICATION OF SUBJECT MATTER
IPC(8) - A61M 5/32 (2007.01)
USPC - 604/274
According to International Patent Classification (IPC) or to both national classification and IPC

B. FIELDS SEARCHED
Minimum documentation searched (classification system followed by classification symbols)
IPC(8) - A61M 5/32, A61B 10/00 (2007.01)
USPC - 604/274, 128/754

Documentation searched other than minimum documentation to the extent that such documents are included in the fields searched

Electronic data base consulted during the international search (name of data base and, where practicable, search terms used)
MicroPatent, IP.com, Google Patent, Google Scholar

C. DOCUMENTS CONSIDERED TO BE RELEVANT

Category*	Citation of document, with indication, where appropriate, of the relevant passages	Relevant to claim No.
X	US 2,560,162 A1 (FERGUSON) 10 July 1951 (10.07.1951) entire document	1-2, 4-8, 12-13, 16-22
Y		3, 9-11, 14-15
Y	US 5,477,862 A1 (HAAGA) 26 December 1995 (26.12.1995) entire document	3, 9-11, 14-15

Further documents are listed in the continuation of Box C.

* Special categories of cited documents:

"A" document defining the general state of the art which is not considered to be of particular relevance	"T" later document published after the international filing date or priority date and not in conflict with the application but cited to understand the principle or theory underlying the invention
"E" earlier application or patent but published on or after the international filing date	"X" document of particular relevance; the claimed invention cannot be considered novel or cannot be considered to involve an inventive step when the document is taken alone
"L" document which may throw doubts on priority claim(s) or which is cited to establish the publication date of another citation or other special reason (as specified)	"Y" document of particular relevance; the claimed invention cannot be considered to involve an inventive step when the document is combined with one or more other such documents, such combination being obvious to a person skilled in the art
"O" document referring to an oral disclosure, use, exhibition or other means	"&" document member of the same patent family
"P" document published prior to the international filing date but later than the priority date claimed	

Date of the actual completion of the international search 02 August 2007	Date of mailing of the international search report 11 SEP 2007
---	--

Name and mailing address of the ISA/US Mail Stop PCT, Attn: ISA/US, Commissioner for Patents P.O. Box 1450, Alexandria, Virginia 22313-1450 Facsimile No. 571-273-3201	Authorized officer: Blaine R. Copenheaver PCT Helpdesk: 571-272-4300 PCT OSP: 571-272-7774
---	---